



US00D361602S

United States Patent [19]

[11] Patent Number: **Des. 361,602**

Lee

[45] Date of Patent: **** Aug. 22, 1995**

[54] **HAND-HELD CARTRIDGE GAME**

[75] Inventor: **Kenny S.-Y. Lee, Hong Kong, Hong Kong**

[73] Assignee: **ABC International Traders, Inc., North Hill, Calif.**

[**] Term: **14 Years**

[21] Appl. No.: **23,089**

[22] Filed: **May 18, 1994**

[52] U.S. Cl. **D21/13**

[58] Field of Search **D21/13, 48, 1; 273/433-438, 148 B, DIG. 28; D14/126, 125, 218**

D. 342,762 12/1993 Wing D21/48
 D. 347,450 5/1994 Nagata et al. D21/13
 5,046,739 9/1991 Reichow 273/148 B
 5,184,830 2/1993 Okada et al. 273/433
 5,213,327 5/1993 Kitaue 273/148 B

OTHER PUBLICATIONS

Hong Kong Enterprise Oct. 1992, p. 1069.
 Hong Kong Enterprise Oct. 1992, p. 1073.
 Hong Kong Enterprise, Feb. 1984, p. 92.

Primary Examiner—Prabhakar G. Deshmukh
Attorney, Agent, or Firm—Merchant, Gould, Smith, Edell, Welter & Schmidt

CLAIM

[57] The ornamental design for a hand-held cartridge game, as shown and described.

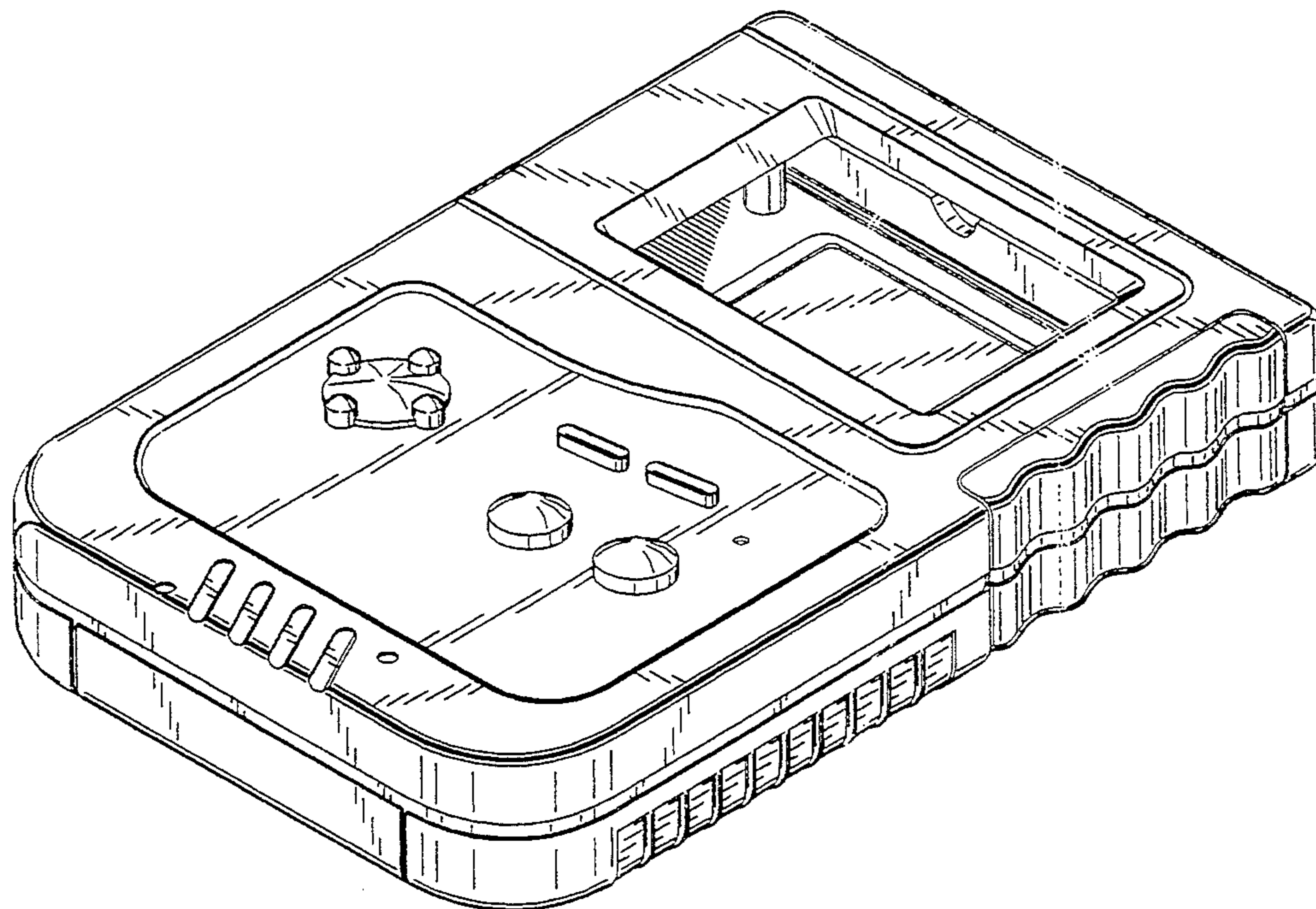
References Cited

U.S. PATENT DOCUMENTS

D. 318,884 8/1991 Kojo D21/13
 D. 329,470 9/1992 Kaneko D21/13
 D. 334,218 3/1993 Lee D21/13

DESCRIPTION

FIG. 1 is a top perspective view of a hand-held cartridge game showing my new design; and, FIG. 2 is a bottom perspective view thereof.



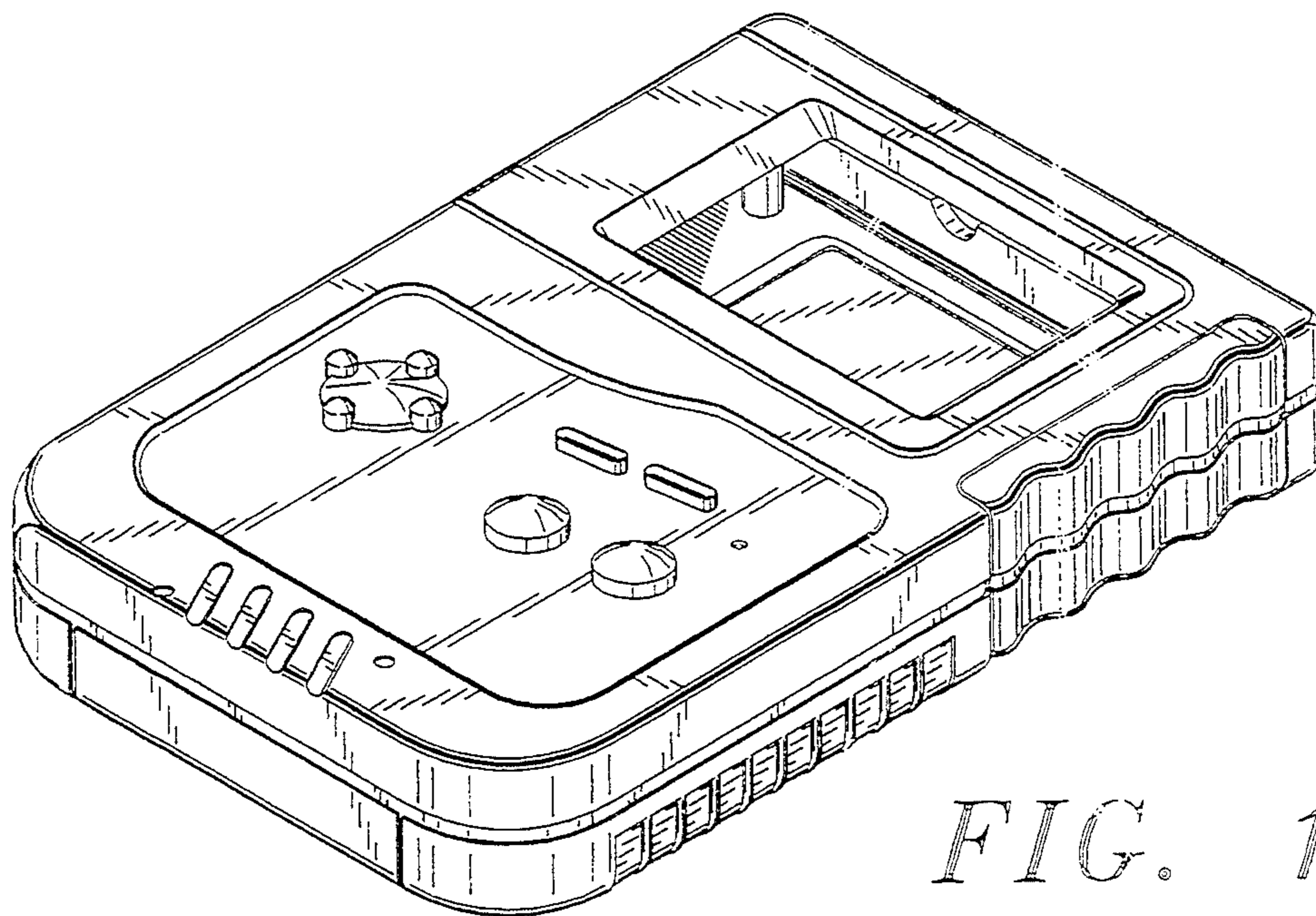


FIG. 1

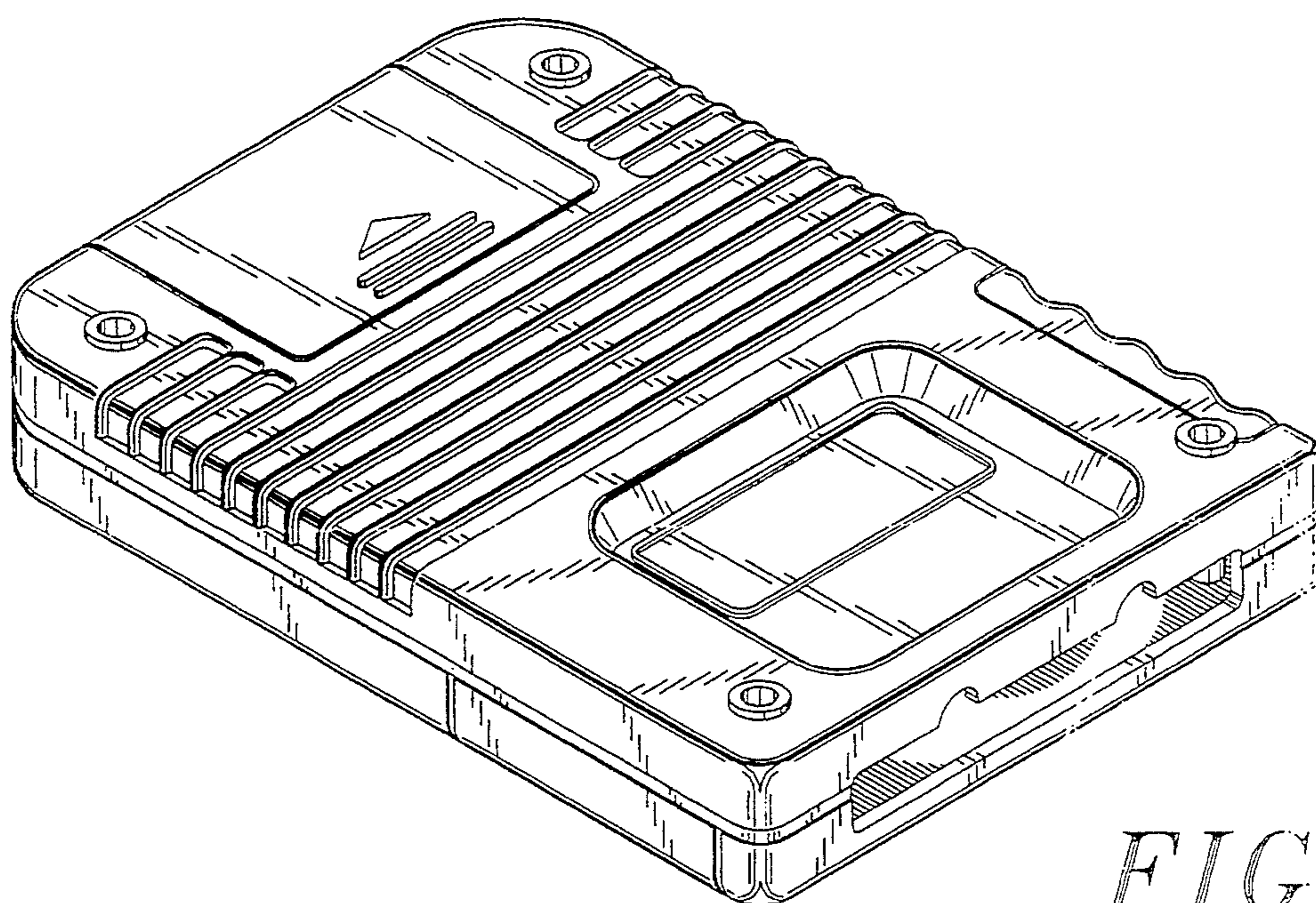


FIG. 2