



US00D361595S

United States Patent [19]

[11] Patent Number: **Des. 361,595**

Ramsey et al.

[45] Date of Patent: **** Aug. 22, 1995**

[54] **ARTIST'S BRUSH CLEANING APPARATUS**

[76] Inventors: **Laurel Ramsey**, 6930 NE. 56th St.
#102, Altoona, Iowa 50009; **C. Thomas Grimes**, P.O. Box 437 3401
Convenience Blvd., Ankeny, Iowa 50021

[**] Term: **14 Years**

[21] Appl. No.: **27,849**

[22] Filed: **Aug. 31, 1994**

[52] U.S. Cl. **D19/35; D32/35;**
D32/100

[58] Field of Search D19/35, 36, 65, 75,
D19/81-85; 206/1.7, 1.8, 1.9, 214, 371, 224;
220/90; 15/38, 146; D32/35; 211/69,
69.1-69.9; 134/95.1

[56] **References Cited**

U.S. PATENT DOCUMENTS

33,160	8/1861	Pearson	15/423 X
D. 214,105	5/1969	Cline	D19/36
D. 304,512	11/1989	Byers et al.	D19/35 X
877,269	1/1908	Von Vigier	15/38

1,124,436	1/1915	Hoey	15/423
2,516,511	7/1950	Fok	15/423 X
4,615,456	10/1986	Cousar	220/90

OTHER PUBLICATIONS

Visual Systems, ©1986, p. 284, see brush cleaner upper right.
Visual Systems ©1988, p. 346, see brush cleaner, lower right center.

Primary Examiner—Martie Thompson
Attorney, Agent, or Firm—James Birkenholz

[57] **CLAIM**

The ornamental design for a artist's brush cleaning apparatus, as shown.

DESCRIPTION

FIG. 1 is a prospective view of the artist's brush cleaning apparatus showing my new design;
FIG. 2 is a top view thereof;
FIG. 3 is a front view thereof;
FIG. 4 is a rear view thereof;
FIG. 5 is a side view thereof; and,
FIG. 6 is a bottom view thereof.

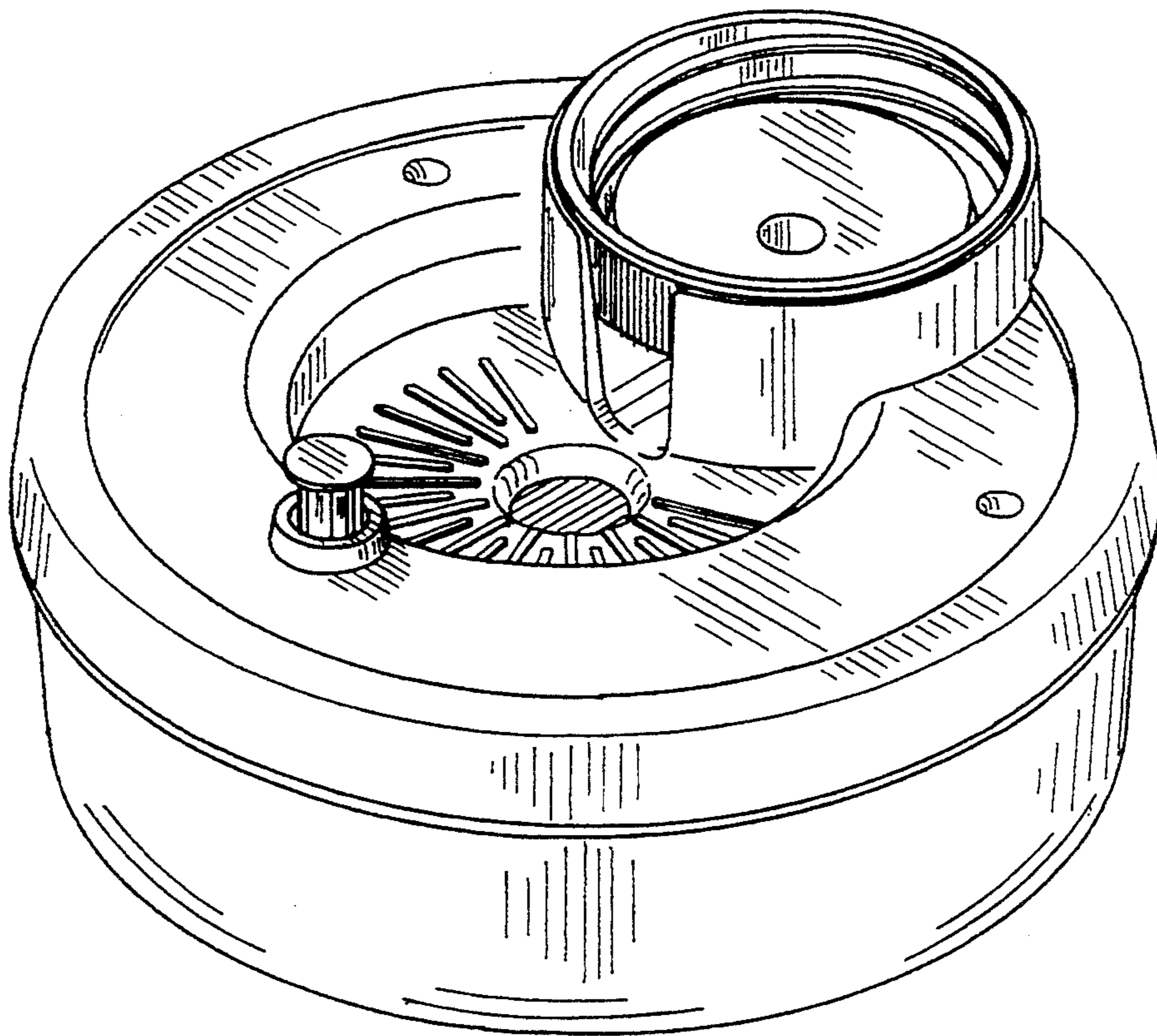


FIG. 1

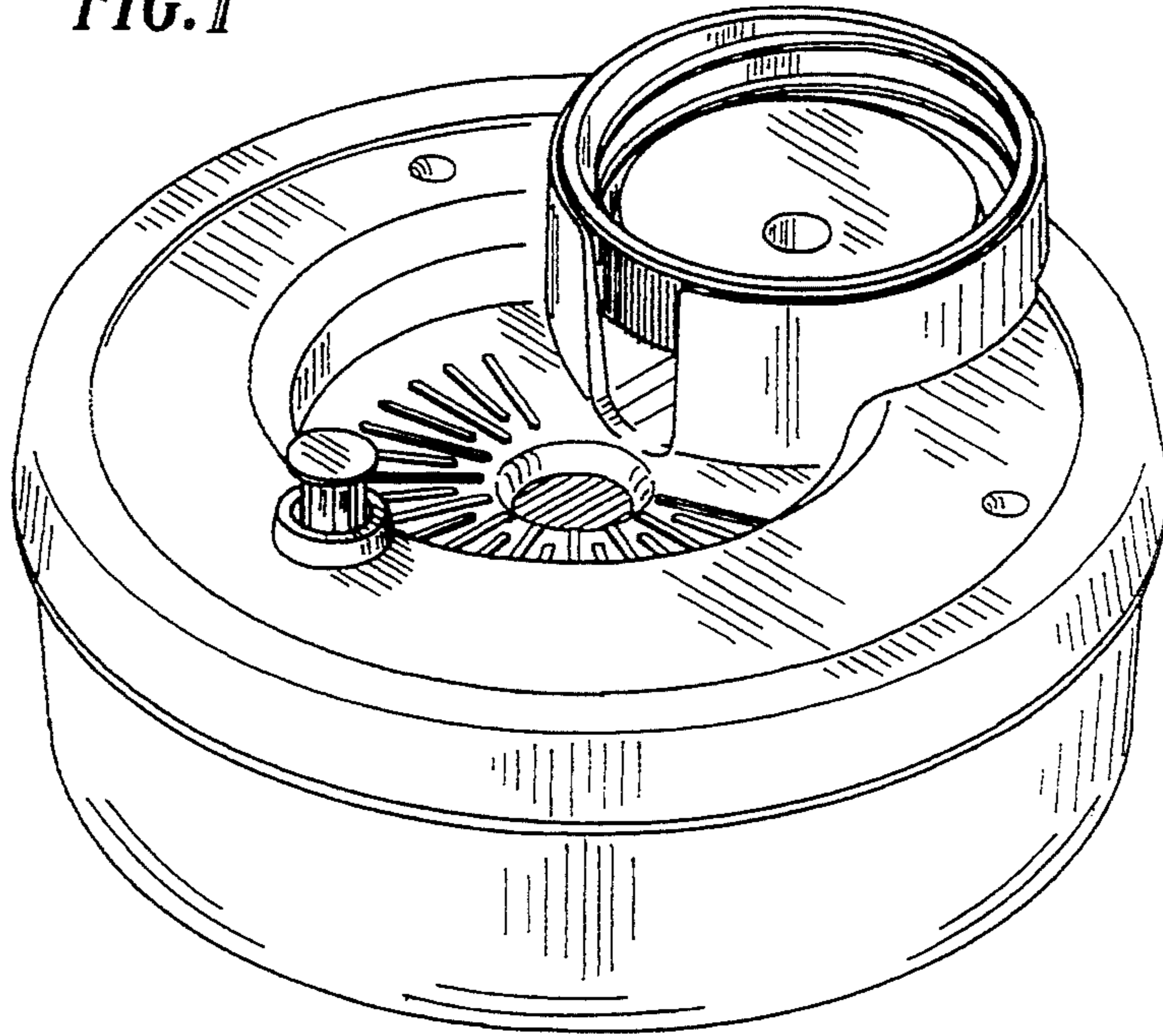


FIG. 2

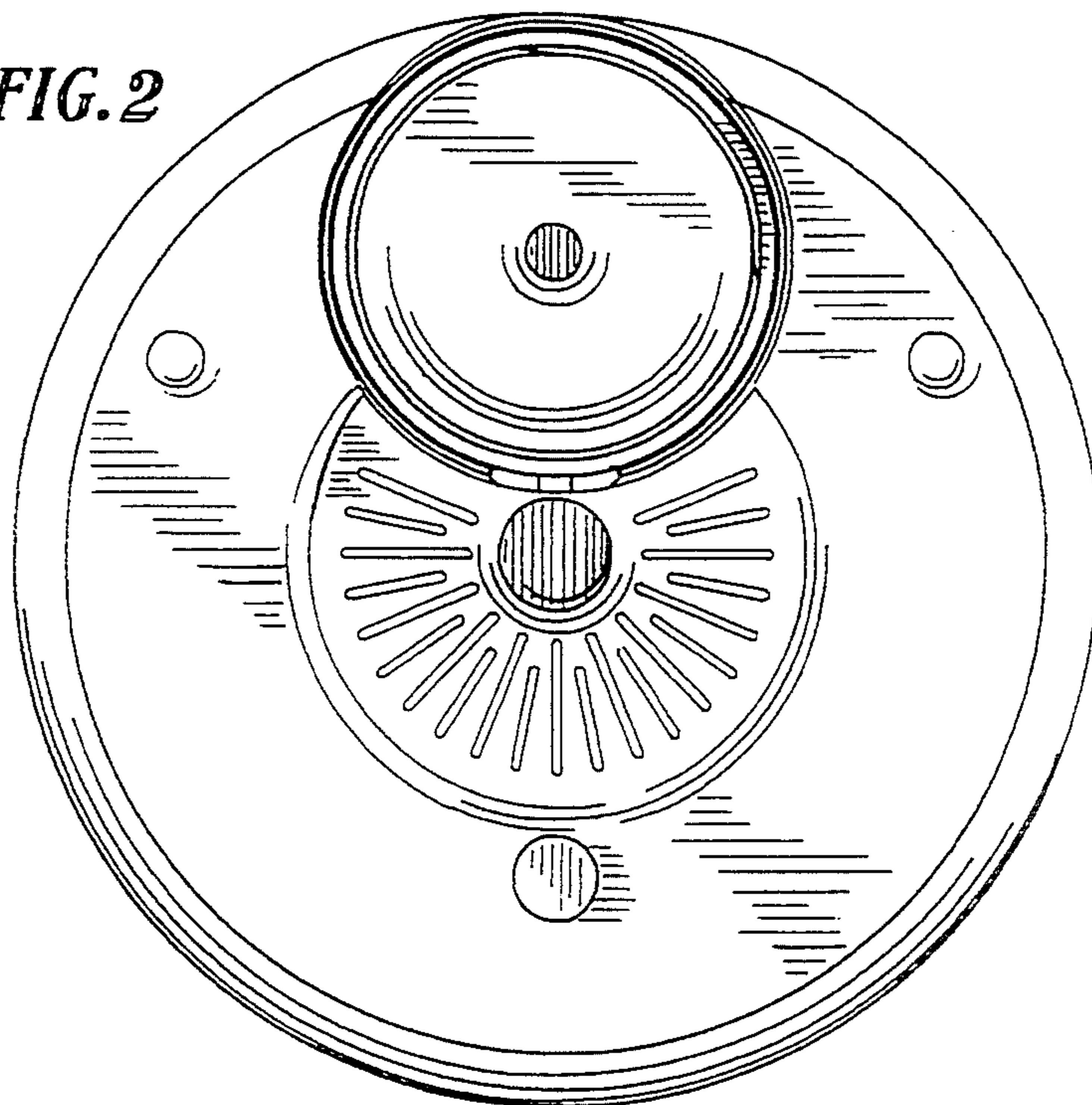


FIG. 3

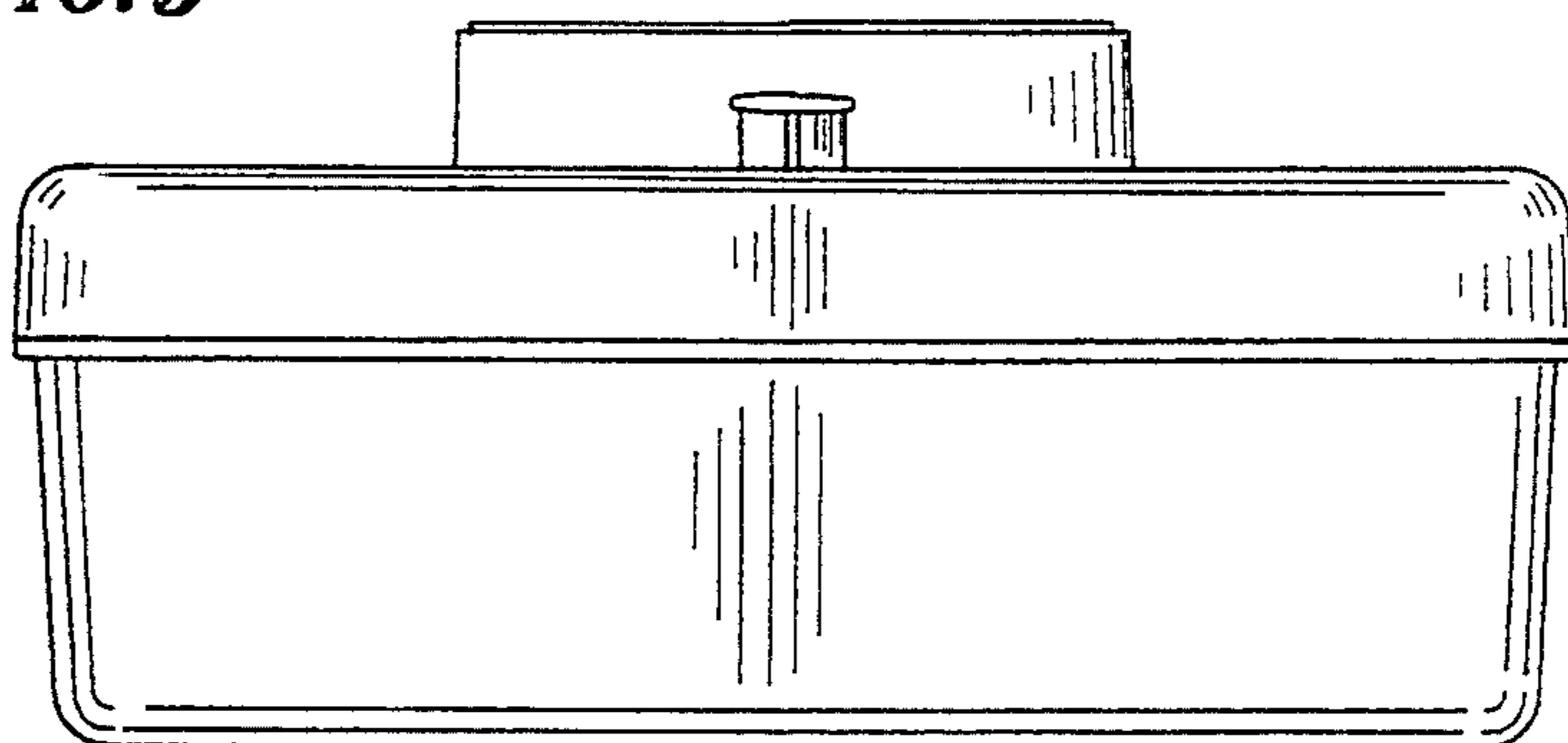


FIG. 4

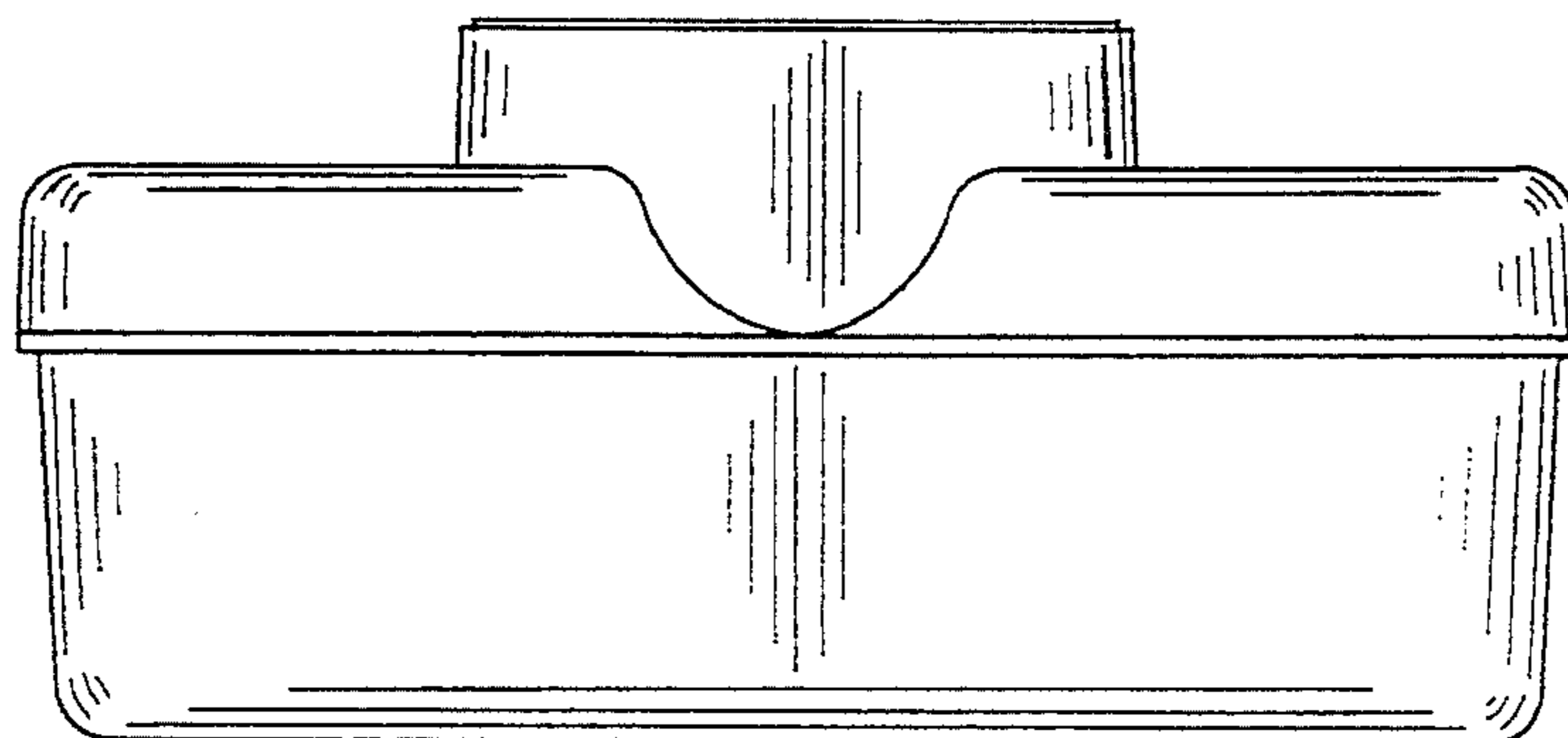


FIG. 5

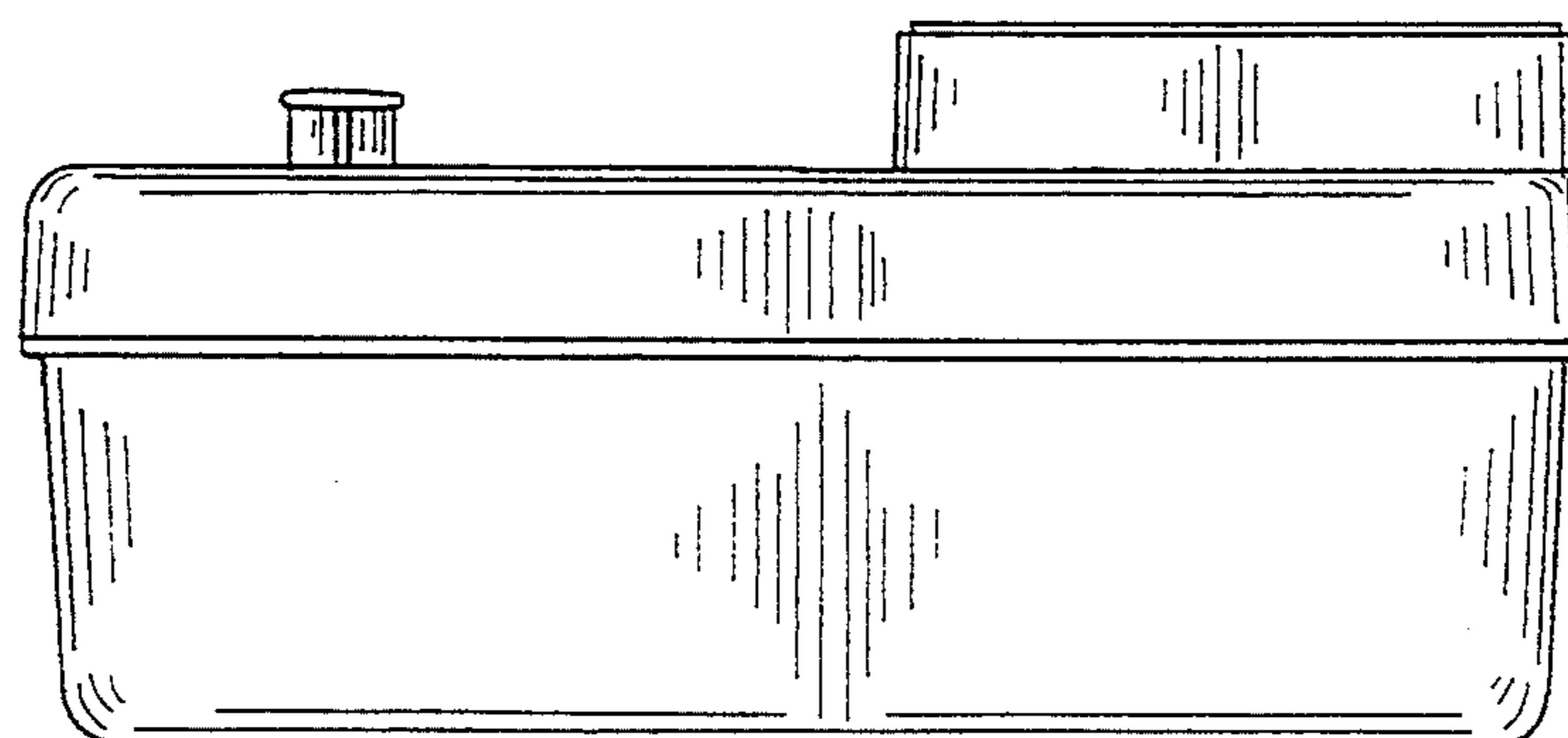


FIG. 6

