



US00D361589S

United States Patent [19]

Yasuoka et al.

[11] Patent Number: **Des. 361,589**

[45] Date of Patent: **** Aug. 22, 1995**

[54] **INK RIBBON CASSETTE**
[75] Inventors: **Tadashi Yasuoka; Toshihiko Nakagawara**, both of Tokyo, Japan

[73] Assignee: **Seikosha Co., Ltd.**, Tokyo, Japan

[**] Term: **14 Years**

[21] Appl. No.: **9,098**

[22] Filed: **Jun. 3, 1993**

[30] Foreign Application Priority Data

Mar. 23, 1993 [JP] Japan 5-8202

[52] U.S. Cl. **D18/12**

[58] Field of Search D18/12, 56, 99; D14/121; 400/194-196.1, 207, 208.1

[56] References Cited

U.S. PATENT DOCUMENTS

D. 264,601 5/1982 Flacelière D18/12
D. 307,438 4/1990 Kodama D18/12

D. 313,611 1/1991 Yokoi D18/12
D. 332,276 1/1993 Tajima et al. D18/12
D. 332,277 1/1993 Tajima et al. D18/12
D. 334,203 3/1993 Tajima et al. D18/12

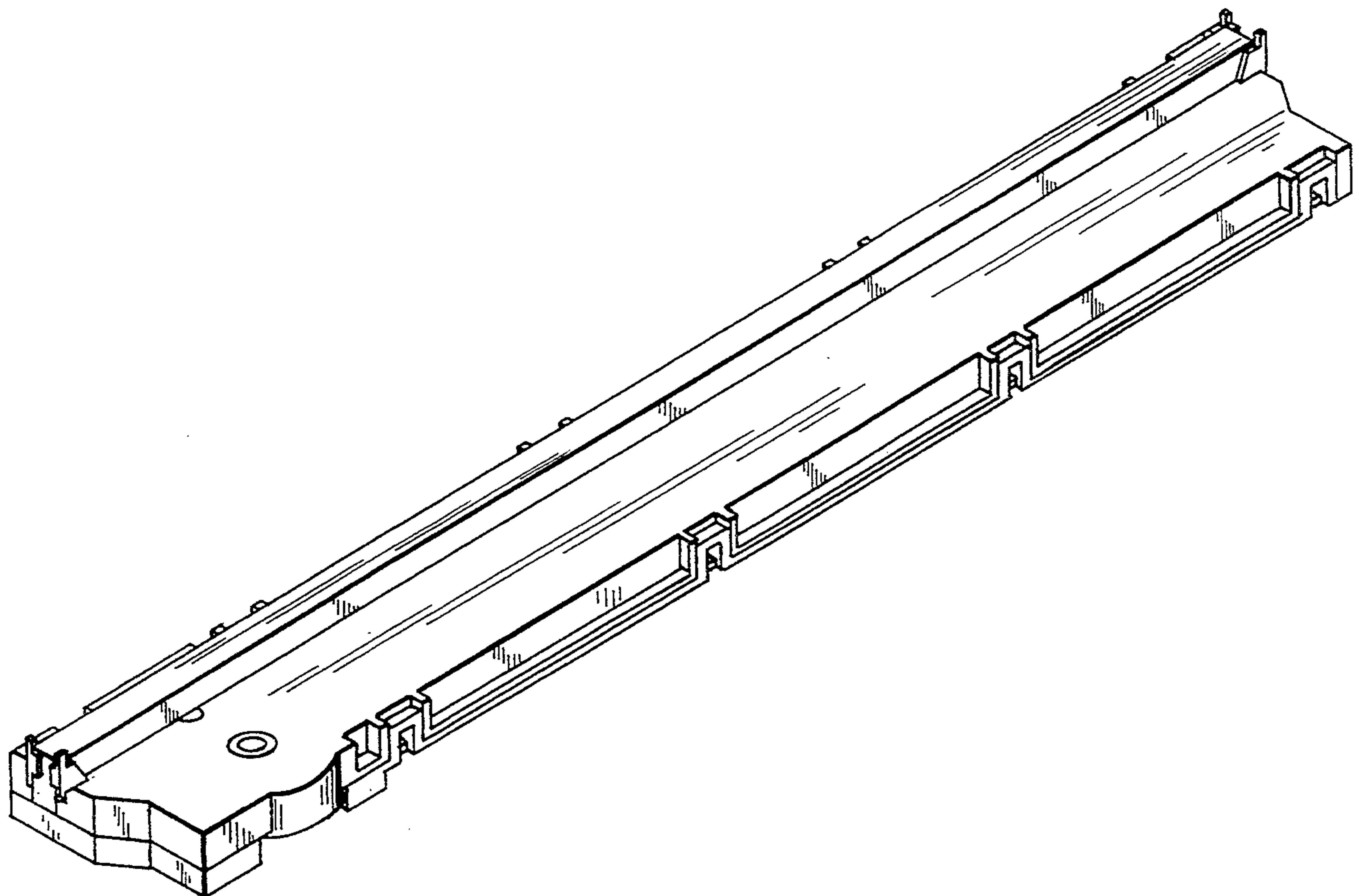
Primary Examiner—Alan P. Douglas
Assistant Examiner—Caron D. Veynar
Attorney, Agent, or Firm—Amster, Rothstein & Ebenstein

[57] CLAIM

The ornamental design for an ink ribbon cassette, as shown.

DESCRIPTION

FIG. 1 is a rear elevational view of an ink ribbon cassette showing our new design;
FIG. 2 is a front elevational view thereof;
FIG. 3 is a bottom plan view thereof;
FIG. 4 is a top elevational view thereof;
FIG. 5 is a right side elevational view thereof;
FIG. 6 is a left side elevational view thereof; and,
FIG. 7 is a rear isometric view thereof.



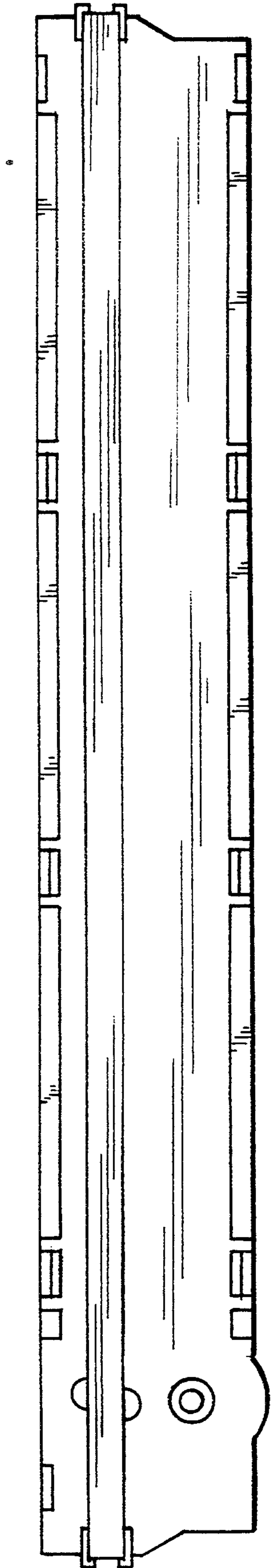


FIG. 1

FIG. 2

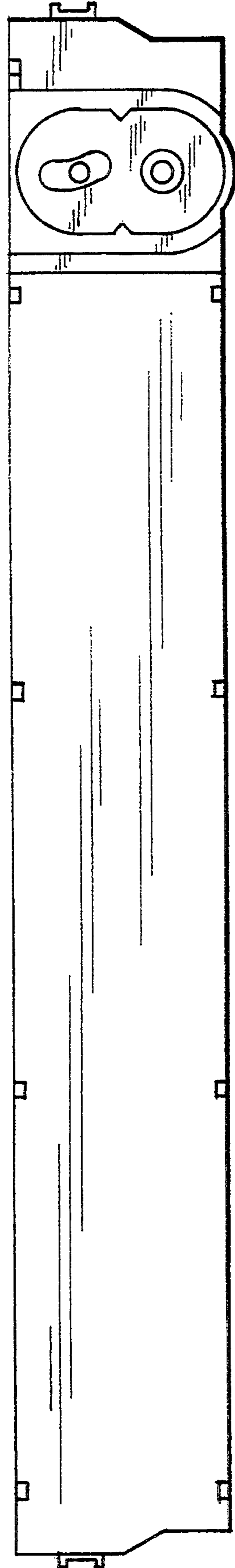


FIG. 3

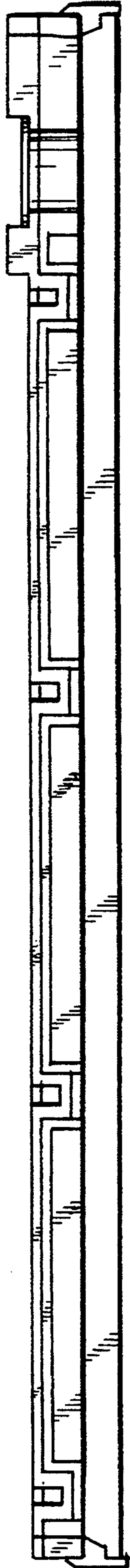


FIG. 4

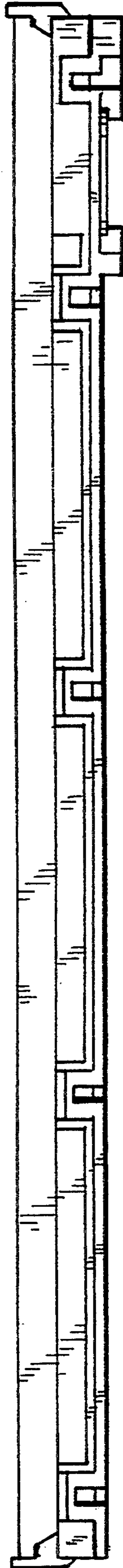


FIG. 5

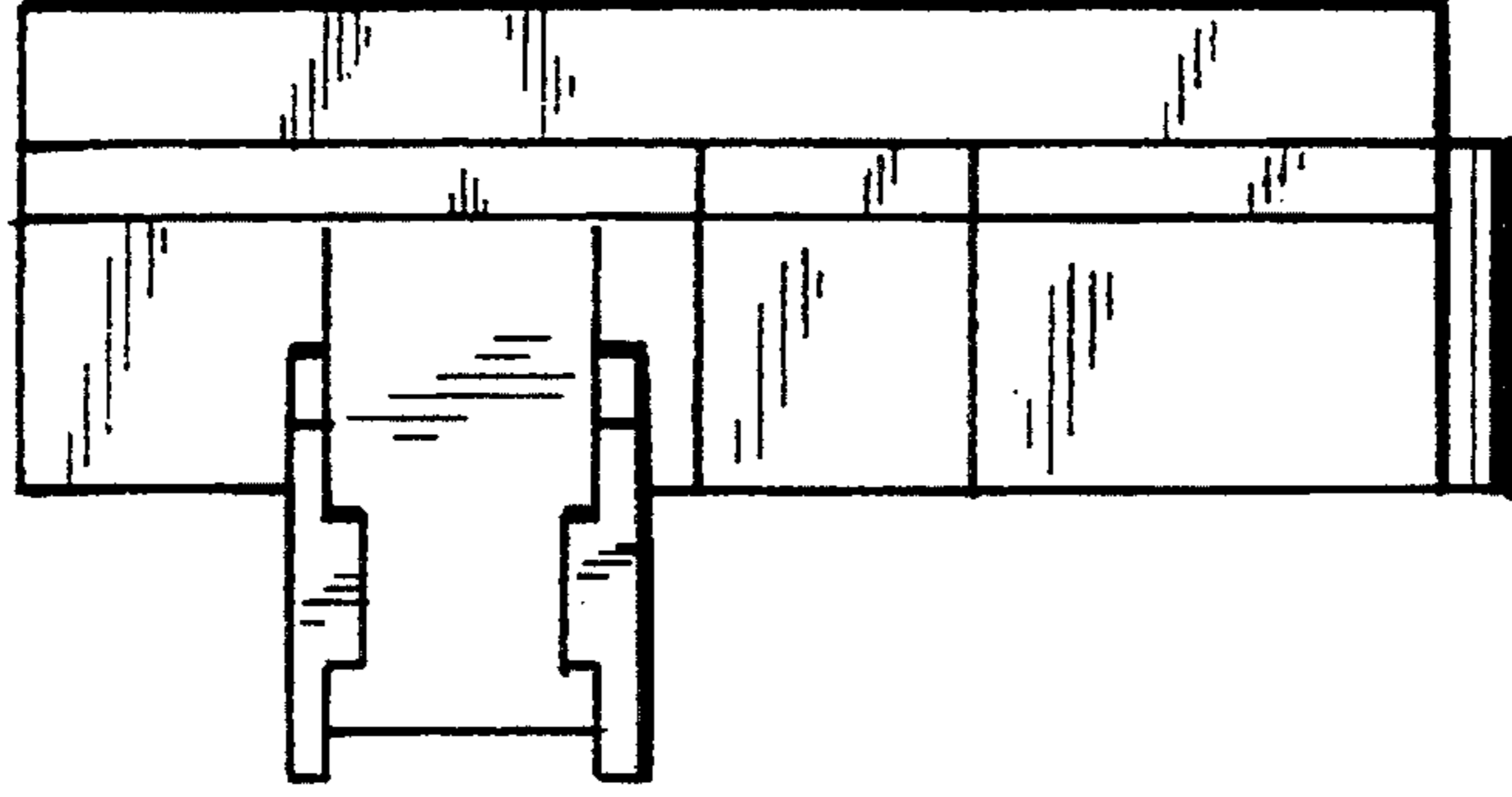
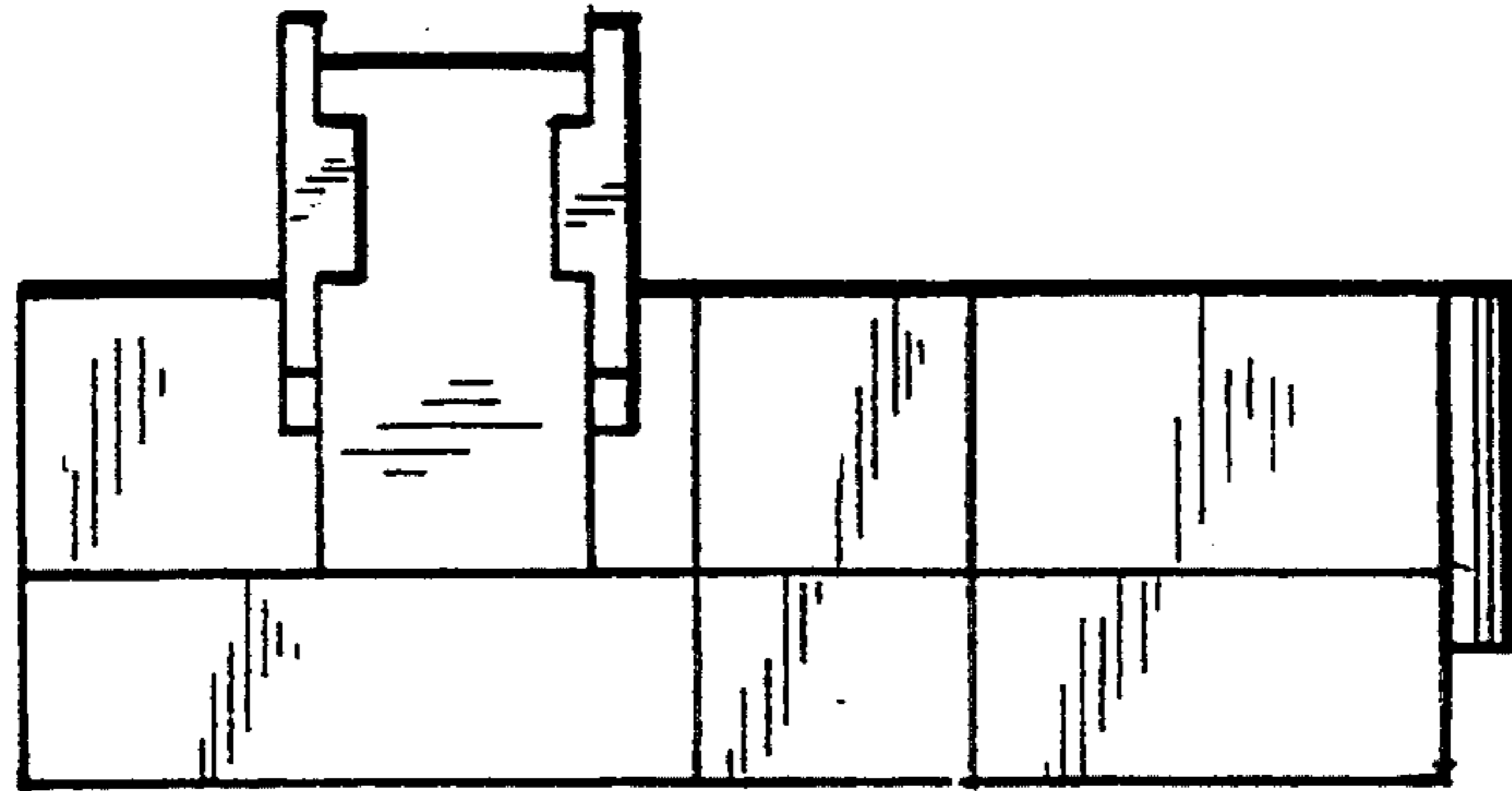


FIG. 6

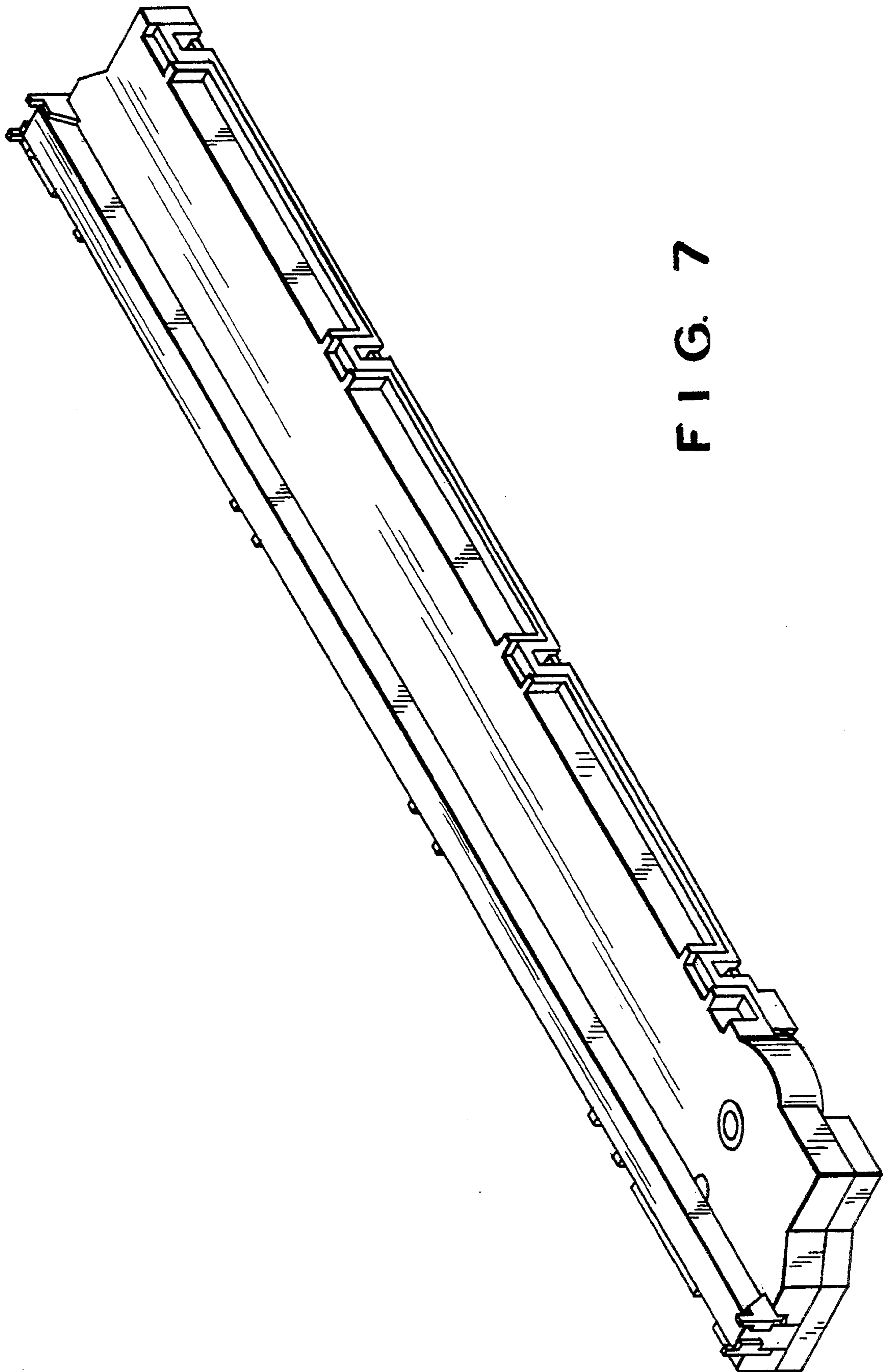


FIG. 7