



US00D361588S

United States Patent [19]

[11] Patent Number: **Des. 361,588**

Chiu

[45] Date of Patent: **** Aug. 22, 1995**

[54] **PRINTER**

D. 324,234 2/1992 Tanaka D18/55 X
D. 343,408 1/1994 Hermann D18/50

[75] Inventor: **Hsing-Liang Chiu, Miao-Li, Taiwan**

Primary Examiner—Alan P. Douglas
Assistant Examiner—Caron D. Veynar
Attorney, Agent, or Firm—Banner & Allegretti, Ltd.

[73] Assignee: **Senor Science Co., Ltd., Taipei, Taiwan**

[**] Term: **14 Years**

[57] CLAIM

[21] Appl. No.: **930,903**

The ornamental design for a printer, as shown and described.

[22] Filed: **Aug. 17, 1992**

DESCRIPTION

[52] U.S. Cl. **D18/4; D18/50**

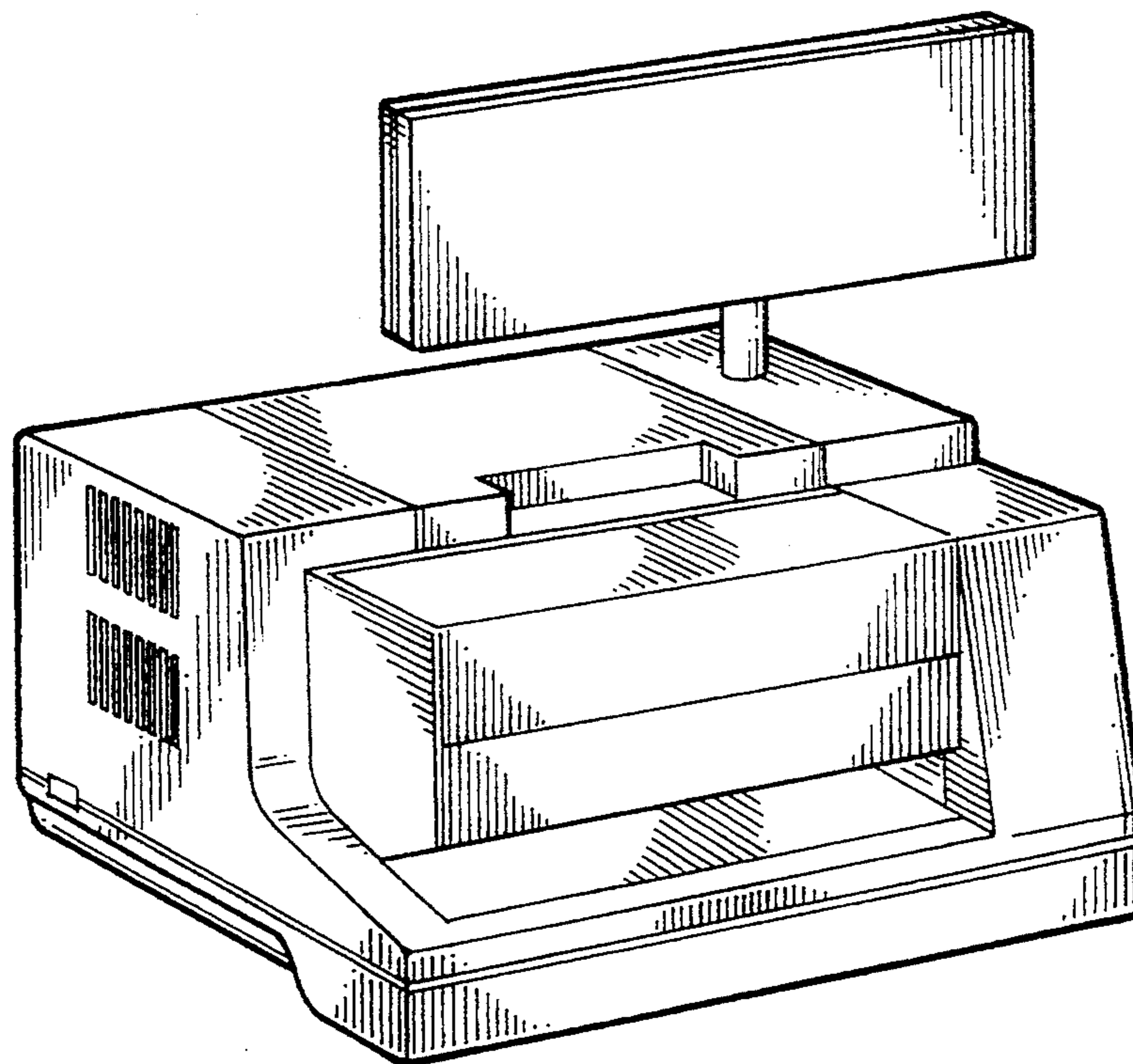
[58] Field of Search D18/1, 3, 4, 12, 55,
D18/56, 50, 54; D14/100, 105, 106, 107, 114;
235/1 D, 1 E, 2-4, 7 R, 379, 419; 364/404, 405

FIG. 1 is a top plan view of a printer showing my new design;
FIG. 2 is a bottom plan view;
FIG. 3 is a front left side perspective view;
FIG. 4 is a rear right side perspective view;
FIG. 5 is a right side elevational view;
FIG. 6 is a left side elevational view;
FIG. 7 is a front elevational view; and,
FIG. 8 is a rear elevational view.

[56] References Cited

U.S. PATENT DOCUMENTS

D. 289,050 3/1987 Wilson et al. D18/55
D. 312,832 12/1990 Forsythe D18/4



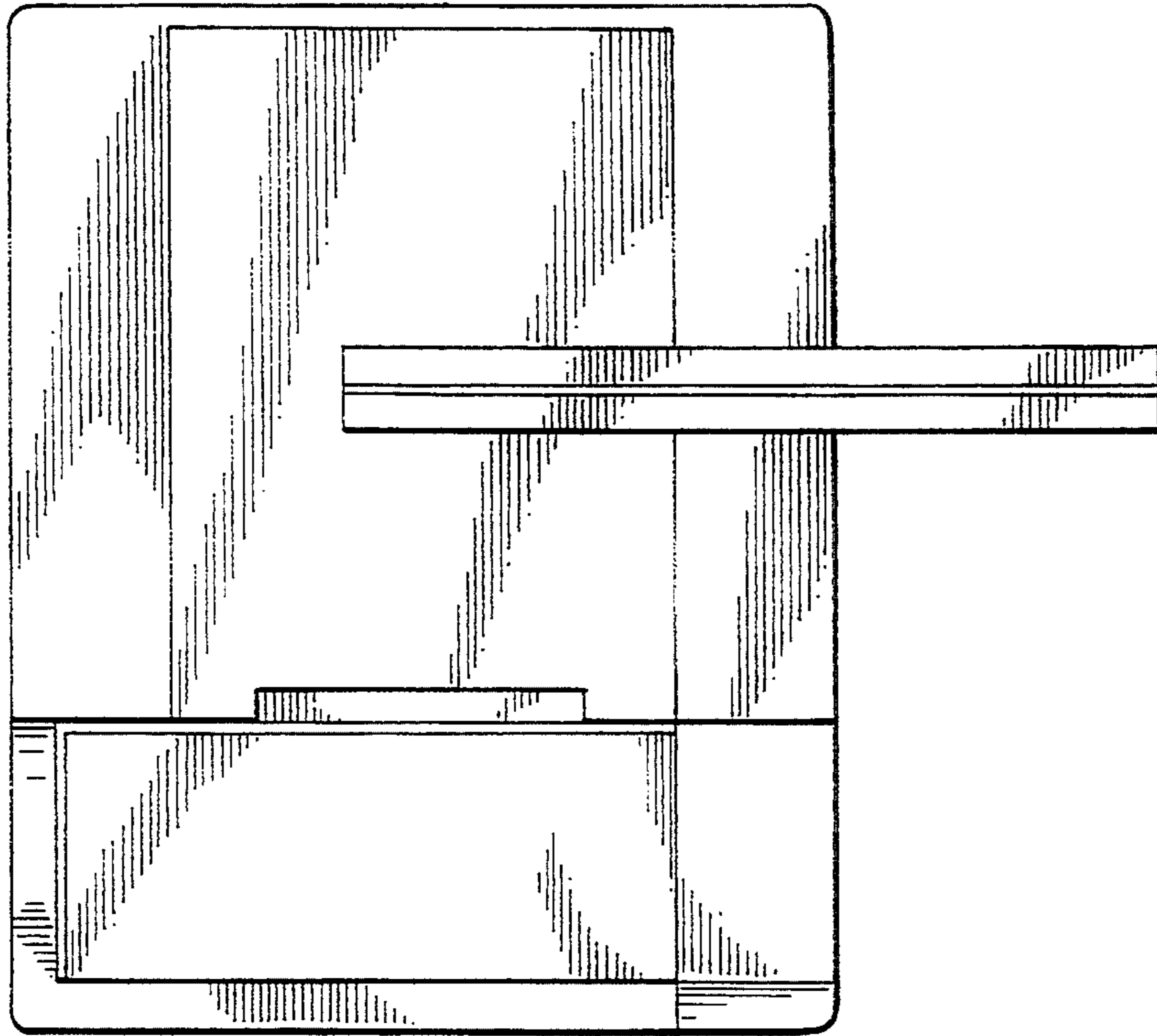


FIG. 1

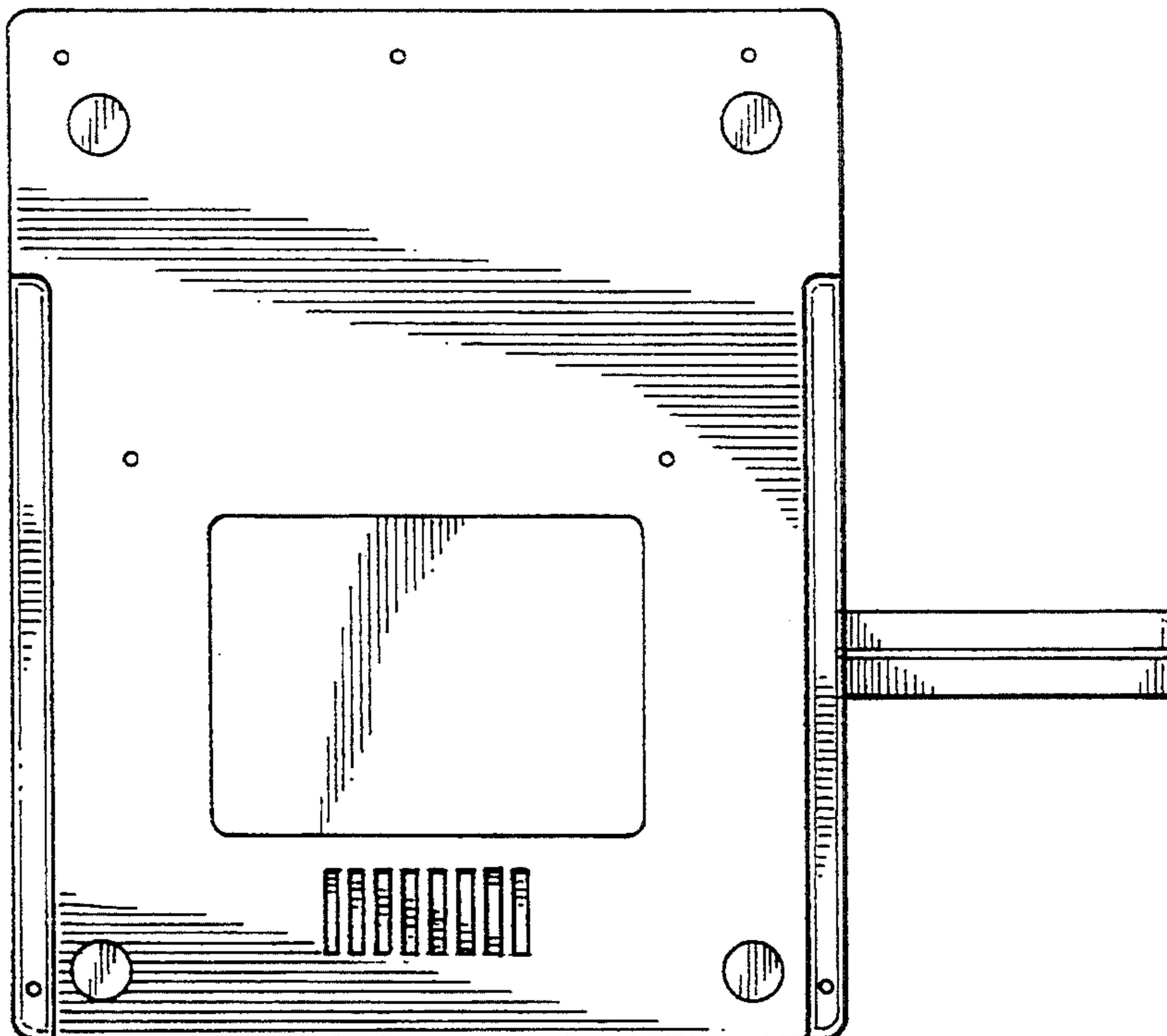


FIG. 2

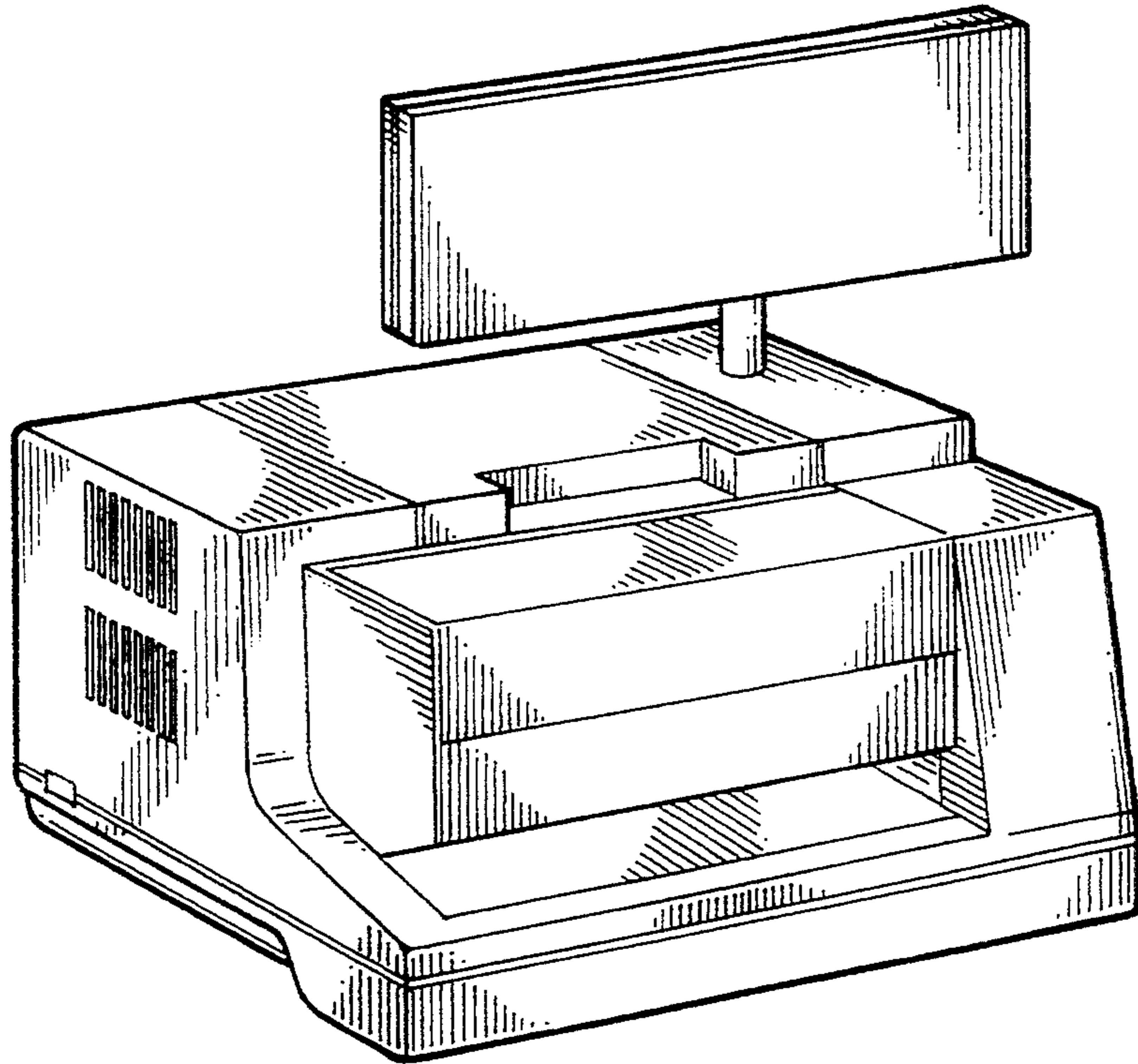


FIG. 3

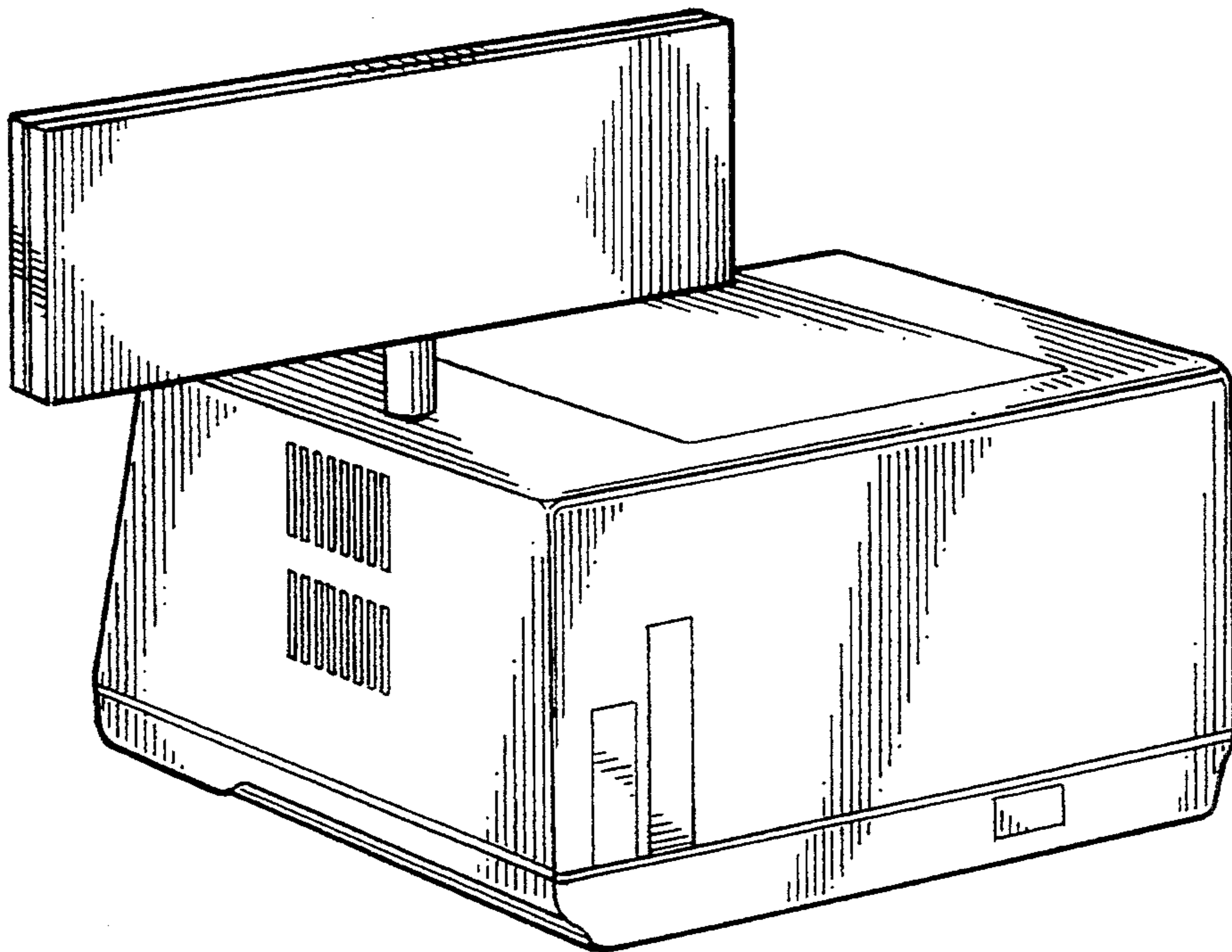


FIG. 4

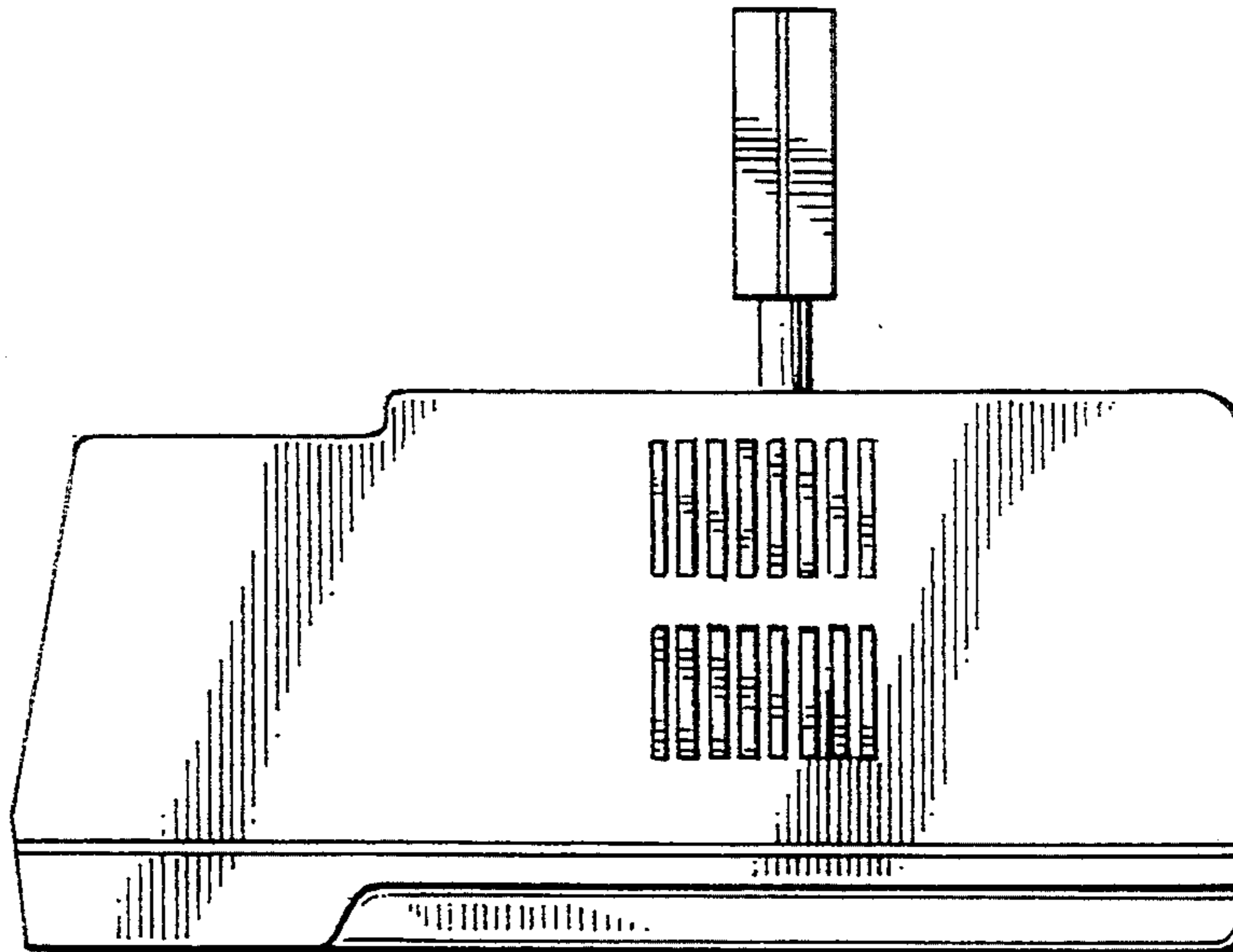


FIG. 5

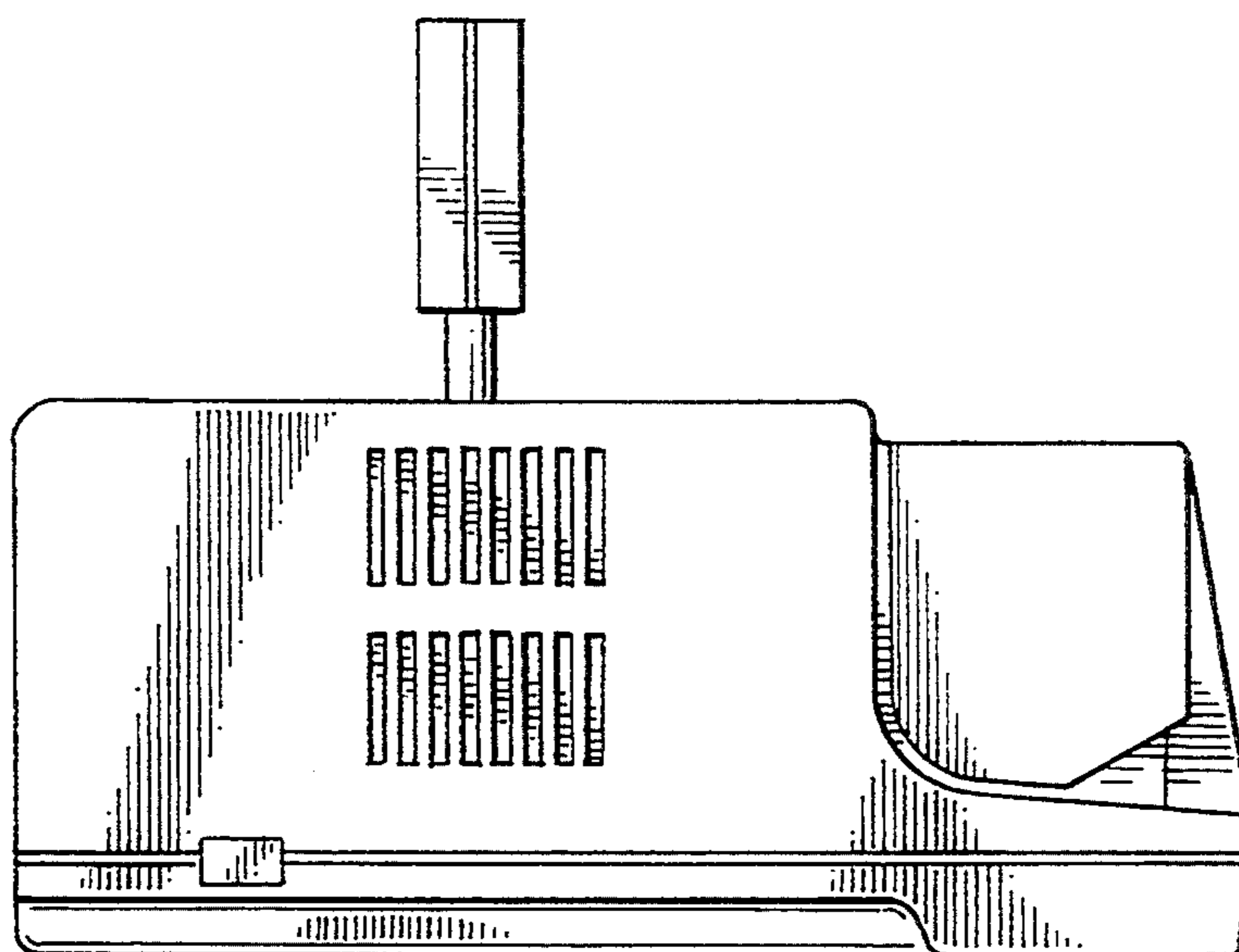


FIG. 6

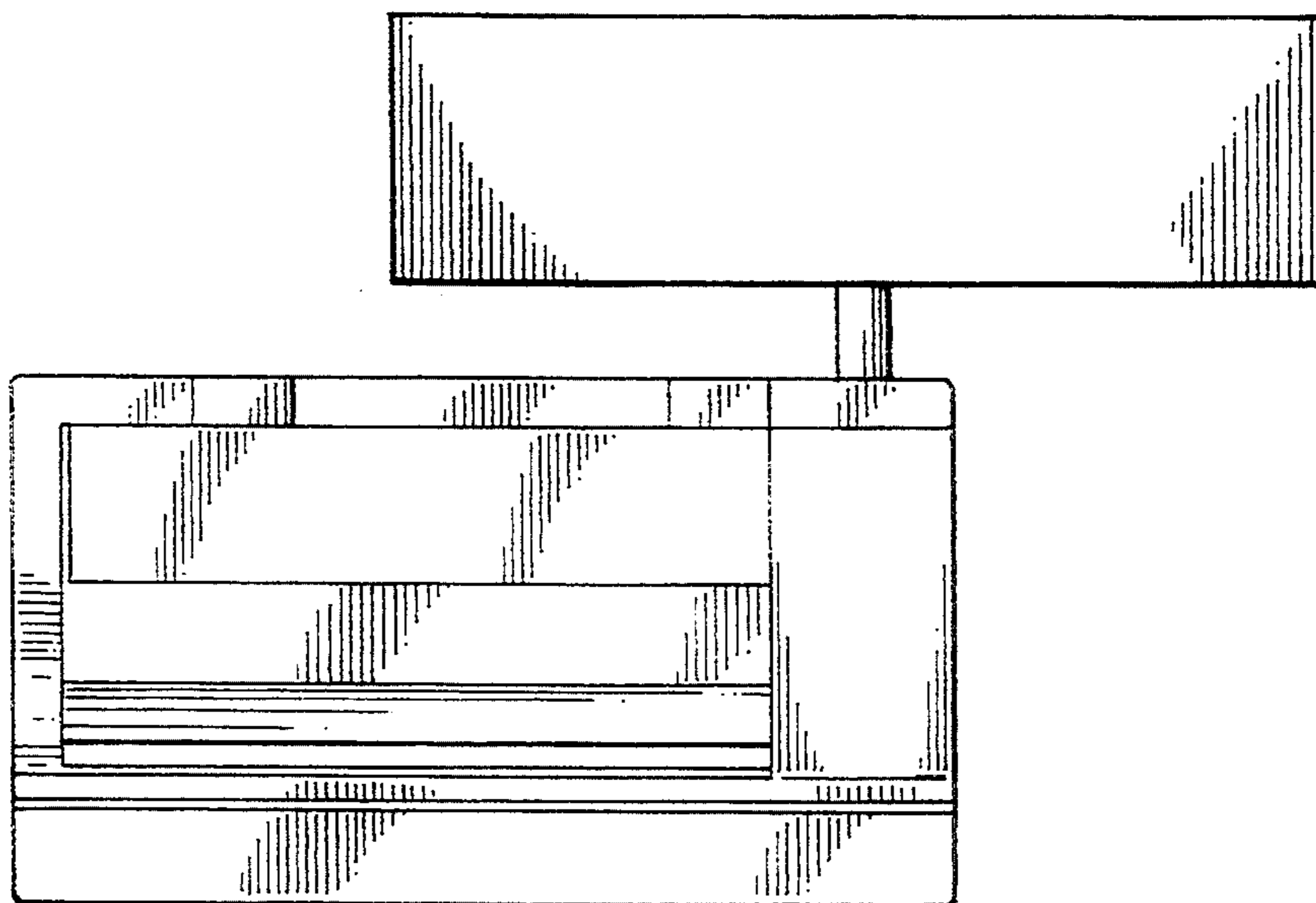


FIG. 7

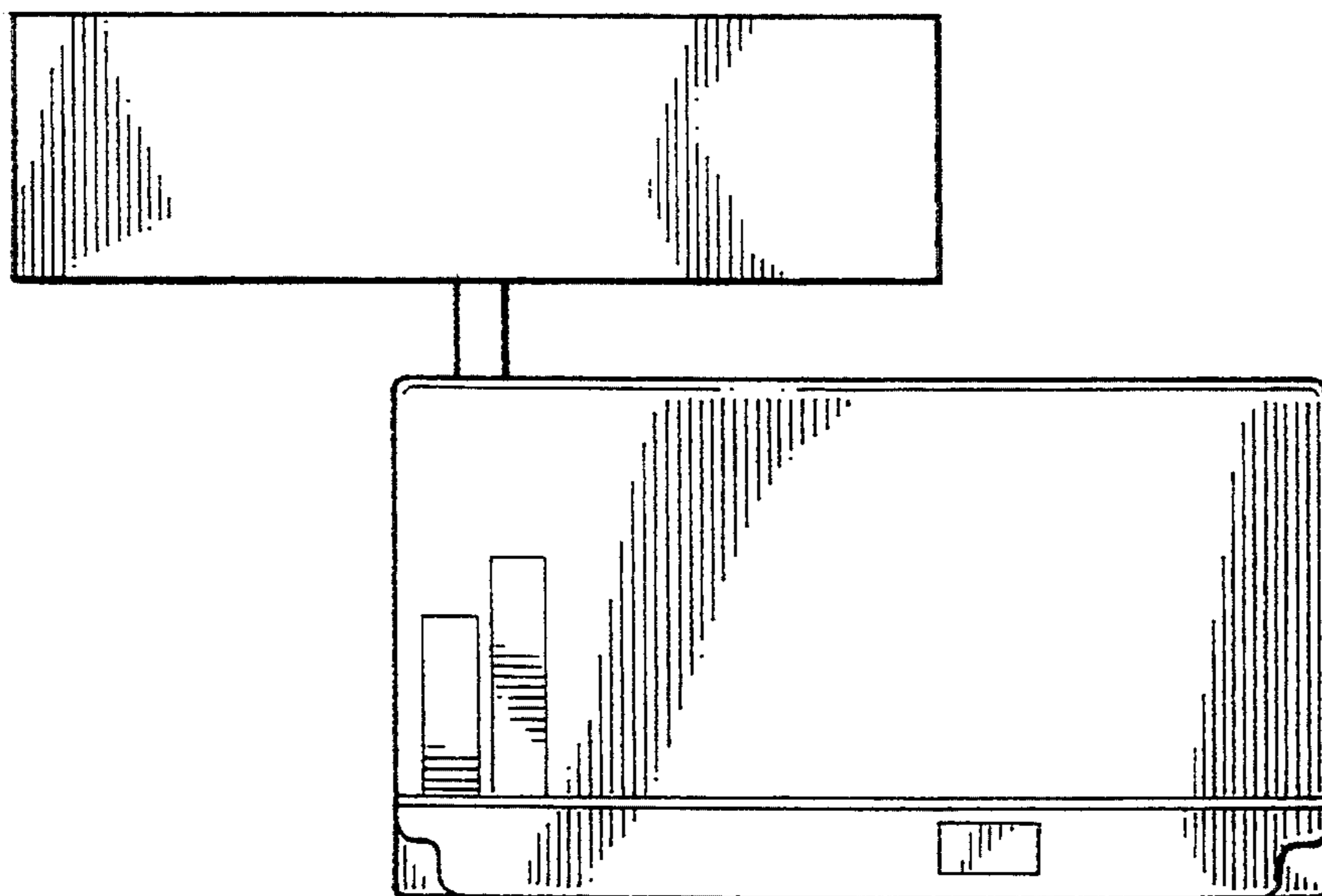


FIG. 8