



US00D361587S

United States Patent [19]

[11] Patent Number: **Des. 361,587**

Chapman

[45] Date of Patent: **** Aug. 22, 1995**

[54] **COMBINED CAMERA DOLLY AND SUPPORT COLUMN THEREFOR**

4,095,250	6/1978	Giglioli	354/293
4,657,267	4/1987	Jaumann et al.	280/47.11
4,950,126	8/1990	Fabiano et al.	280/47.11
5,312,121	5/1994	Chapman	280/47.11

[75] Inventor: **Leonard T. Chapman**, North Hollywood, Calif.

[73] Assignee: **Leonard Studio Equipment, Inc.**, North Hollywood, Calif.

[**] Term: **14 Years**

[21] Appl. No.: **22,643**

[22] Filed: **May 10, 1994**

OTHER PUBLICATIONS

Ladybird Elemack Brochure, dates not provided.
Vinten Complete Range Catalogue 1989/90.
Cricket Camera Dolly Brochure, dates not provided.
FGV Panther Brochure, dates not provided.

Primary Examiner—Prabhakar G. Deshmukh
Assistant Examiner—Adir Aronovich
Attorney, Agent, or Firm—Lyon & Lyon

Related U.S. Application Data

[60] Division of Ser. No. 761,039, Sep. 16, 1991, Pat. No. Des. 347,501, which is a continuation-in-part of Ser. No. 591,527, Oct. 1, 1990, Pat. No. Des. 338,030.

[52] U.S. Cl. **D16/242**

[58] Field of Search D16/242, 244, 245; D34/23, 28; 248/123.1, 162.1, 170, 171, 183; 280/47.11, 91, 99, 100; 352/243; 354/81, 293

CLAIM

[57] The ornamental design for a combined camera dolly and support column therefor, as shown.

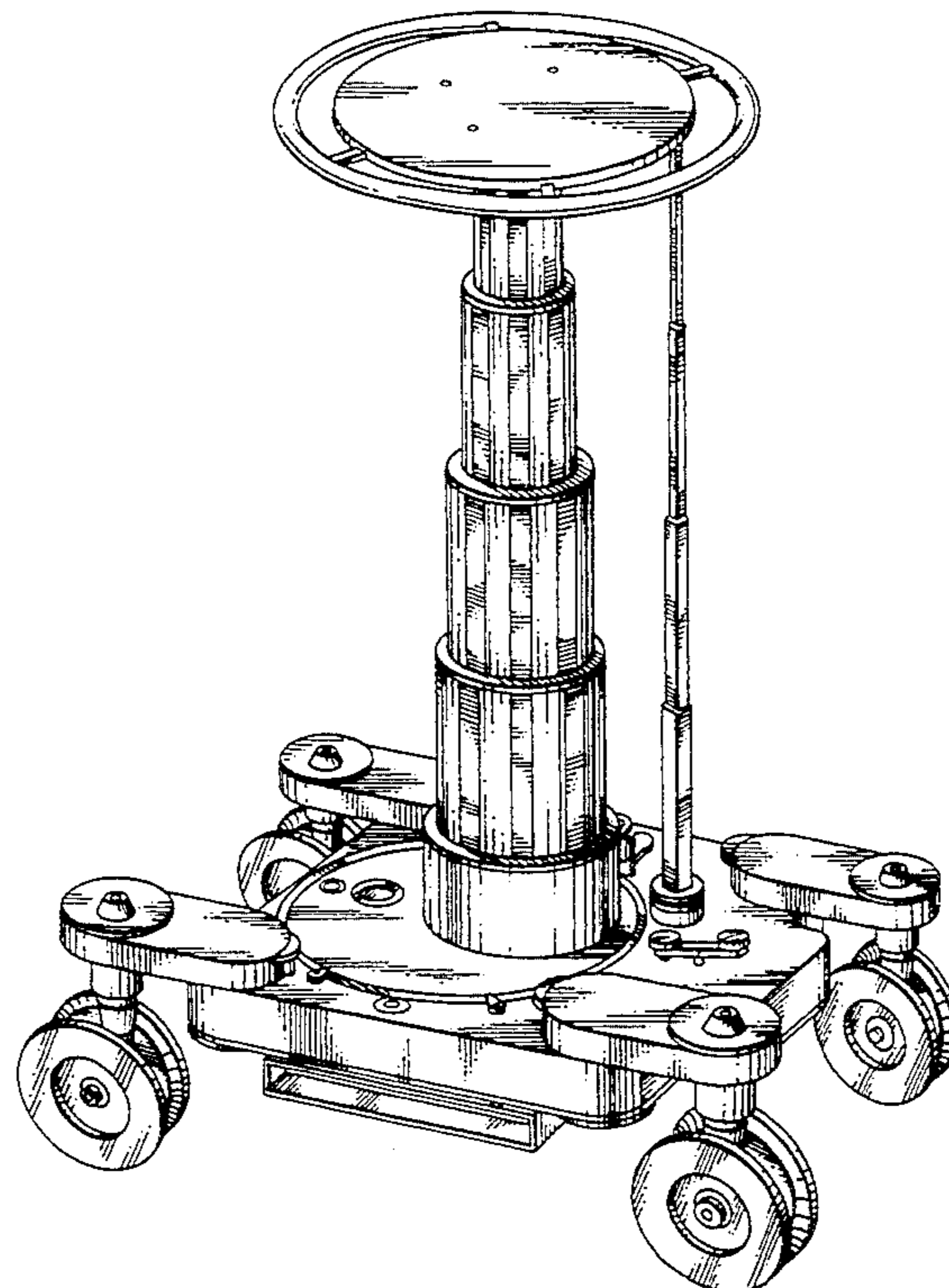
DESCRIPTION

FIG. 1 is a top, front and left side perspective view of a combined camera dolly and support column therefor showing my new design;
FIG. 2 is a left side view thereof;
FIG. 3 is a right side view thereof;
FIG. 4 is a front view thereof;
FIG. 5 is a rear view thereof;
FIG. 6 is an enlarged top view thereof;
FIG. 7 is a bottom view thereof;
FIG. 8 top view thereof, taken along line 8—8 of FIG. 2 with the steering wheel removed for clarity of illustration; and,
FIG. 9 is a reduced top, front and left side perspective view thereof with the camera support column in a collapsed position.

References Cited

U.S. PATENT DOCUMENTS

D. 160,681	10/1950	Wilcox et al.	D16/242
D. 221,900	9/1971	Samuelson et al.	D16/242
D. 315,817	3/1991	Healy	D34/23
2,224,901	12/1940	Cunningham	248/123.1
2,484,982	10/1949	Coutant	352/243
2,518,288	8/1950	Coutant	280/47.11
2,719,043	9/1955	Oppenheimer	280/47.11
2,725,783	12/1955	Jackson	352/243
4,094,484	6/1978	Galione	248/162.1



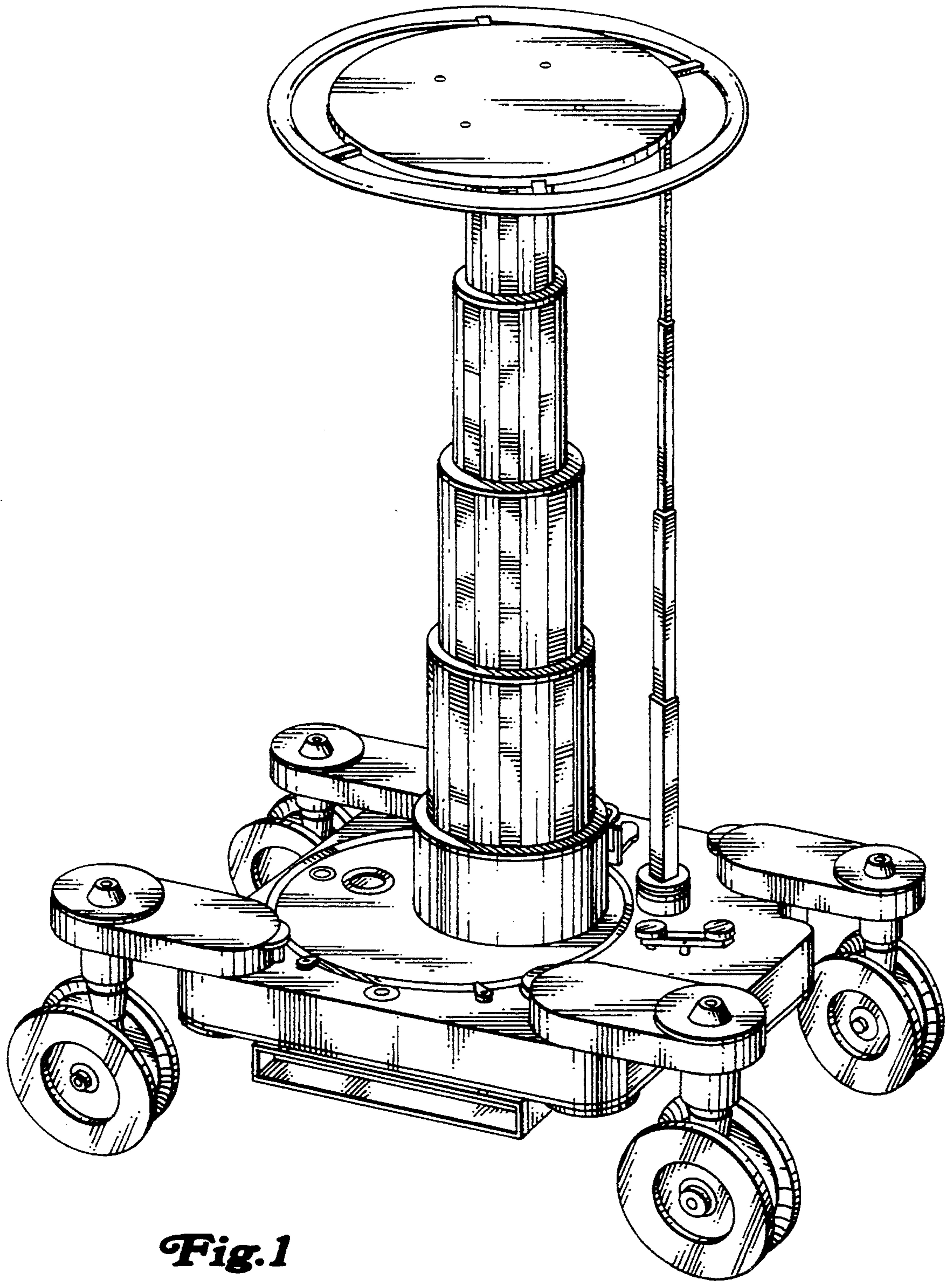


Fig. 1

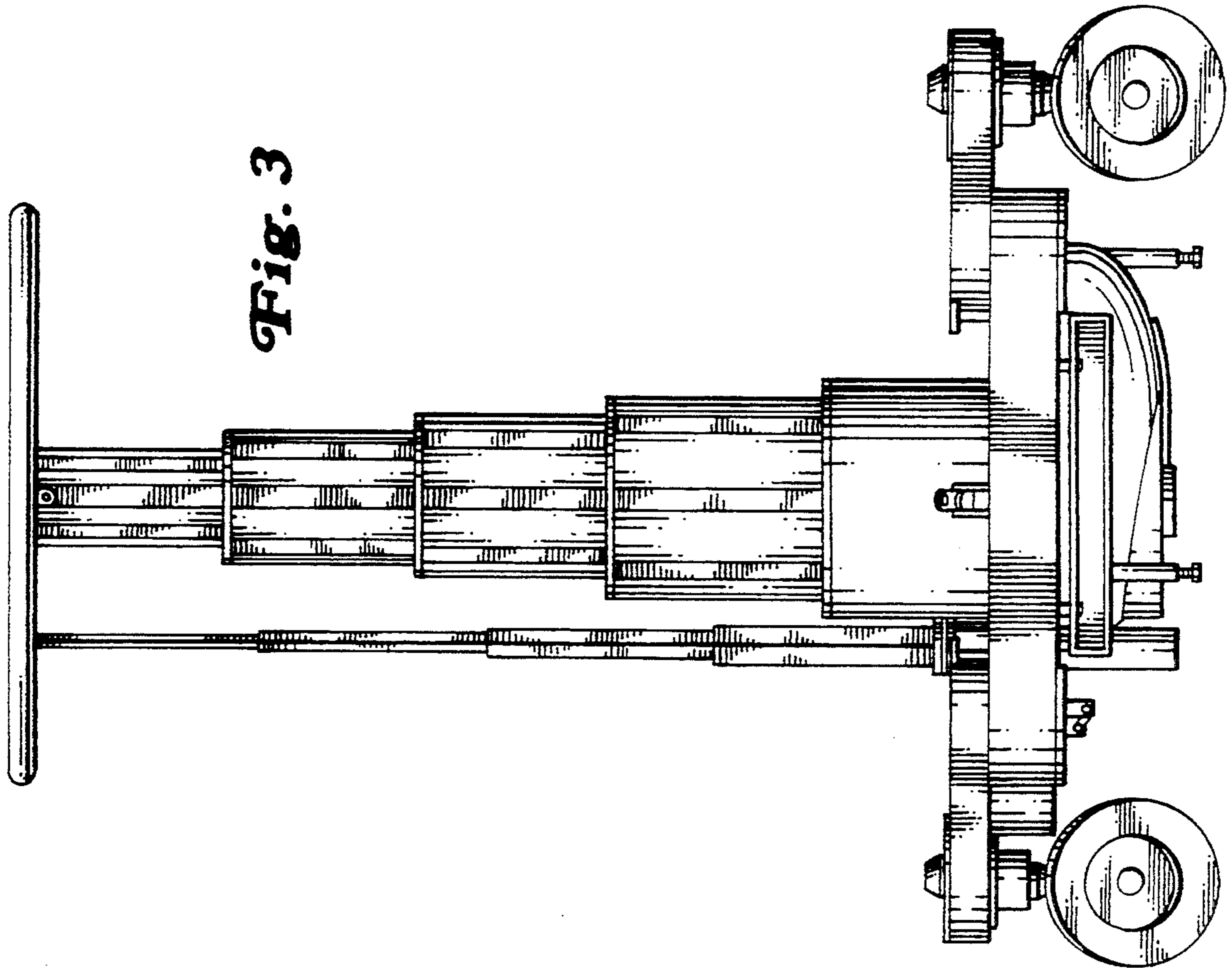


Fig. 3

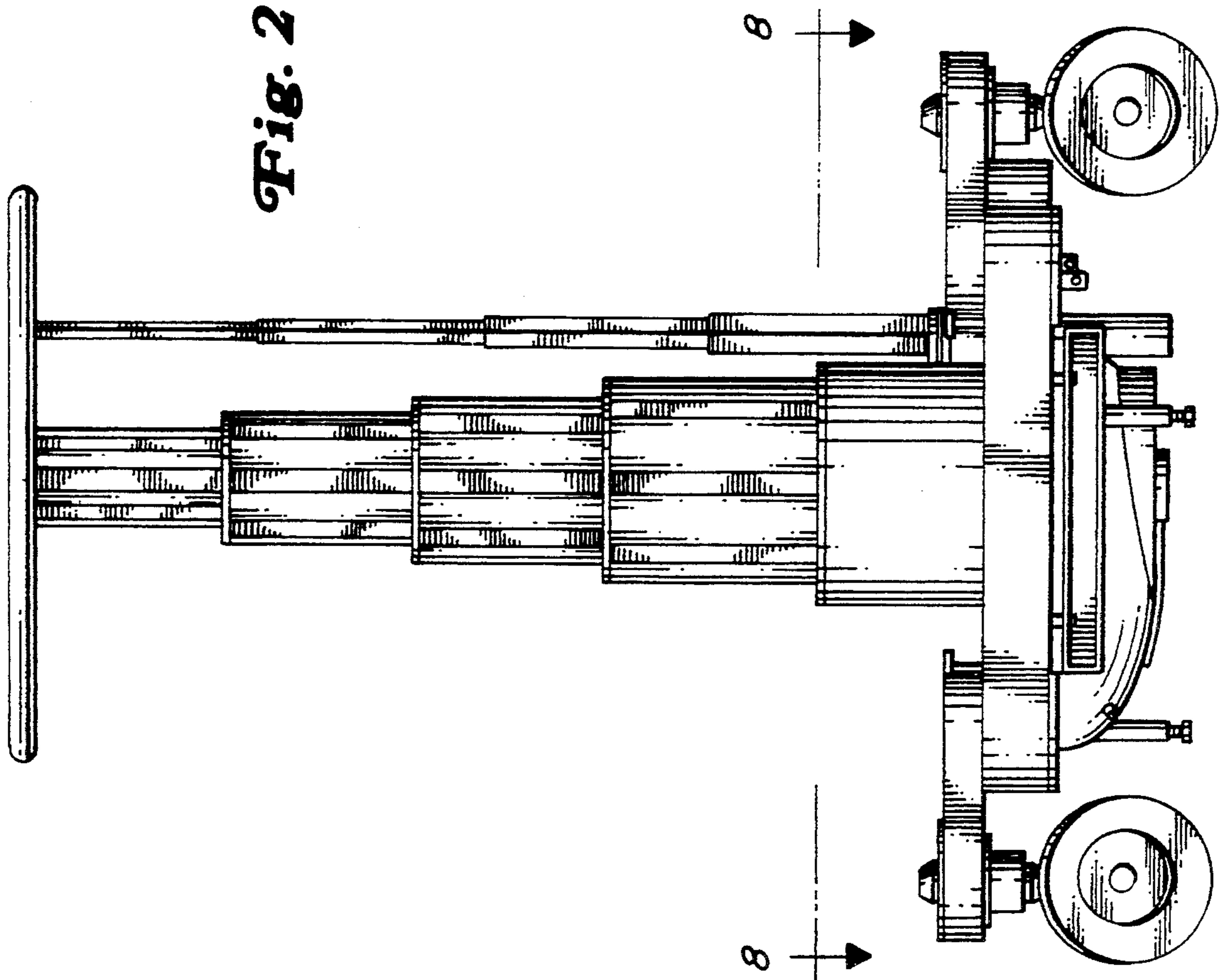


Fig. 2

Fig. 5

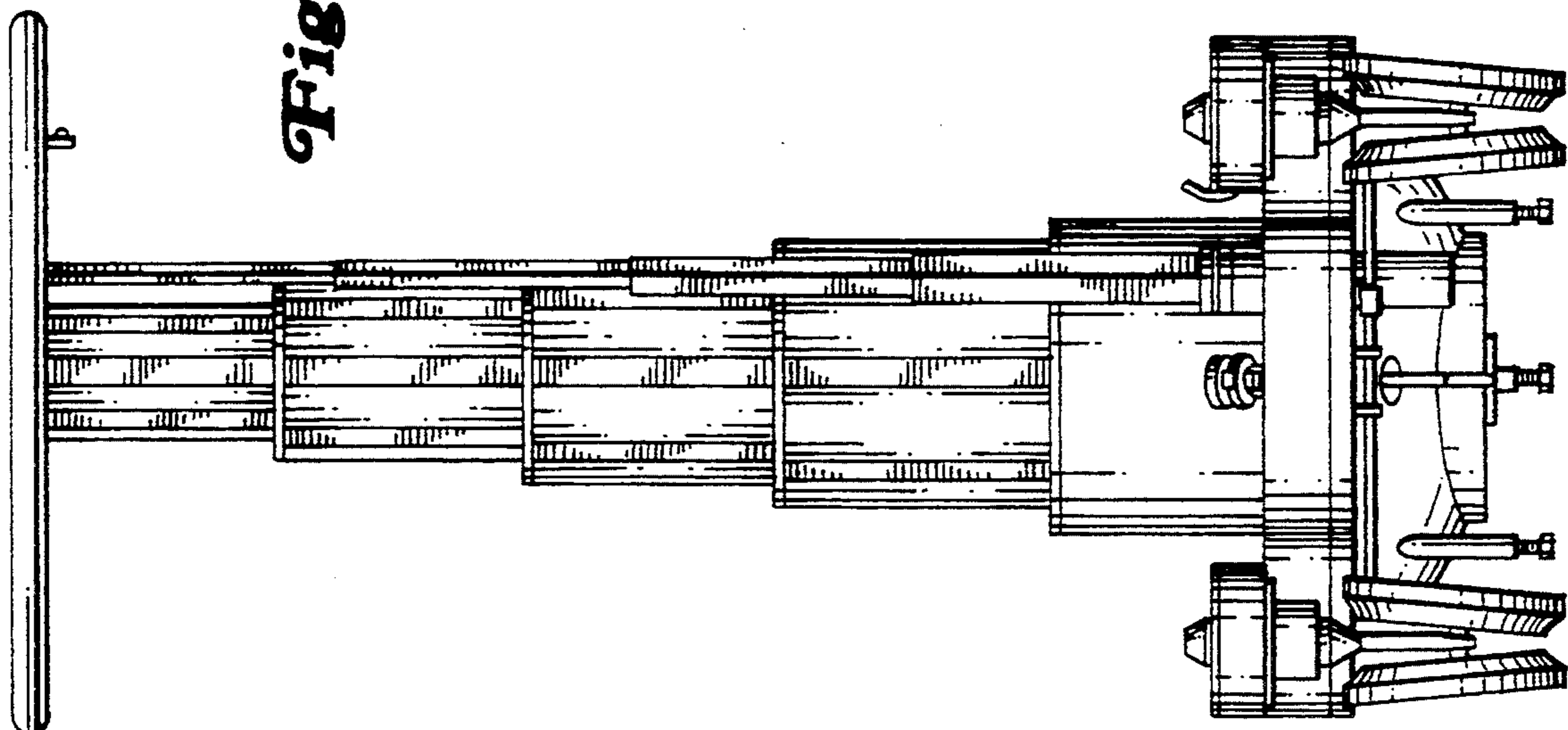


Fig. 4

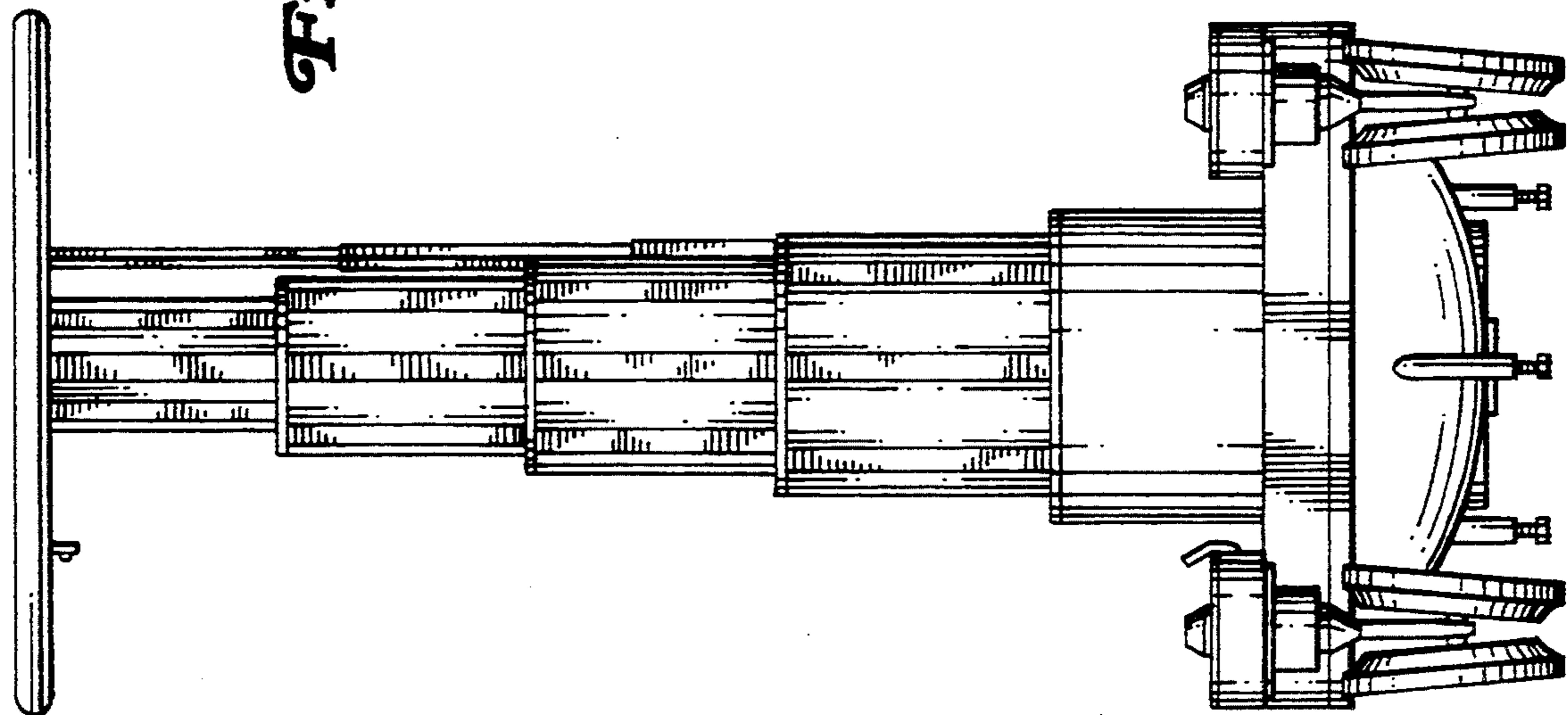


Fig. 6

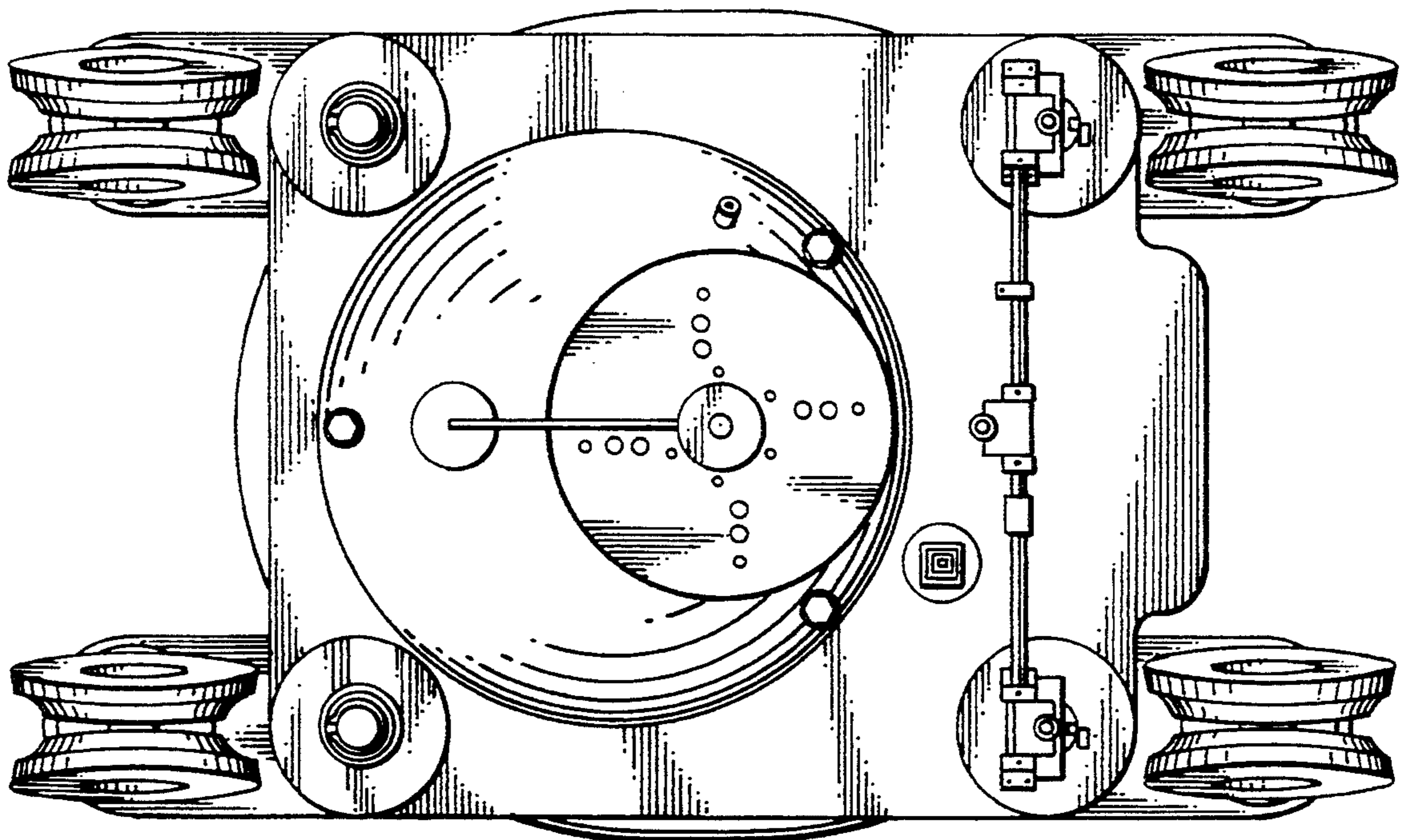
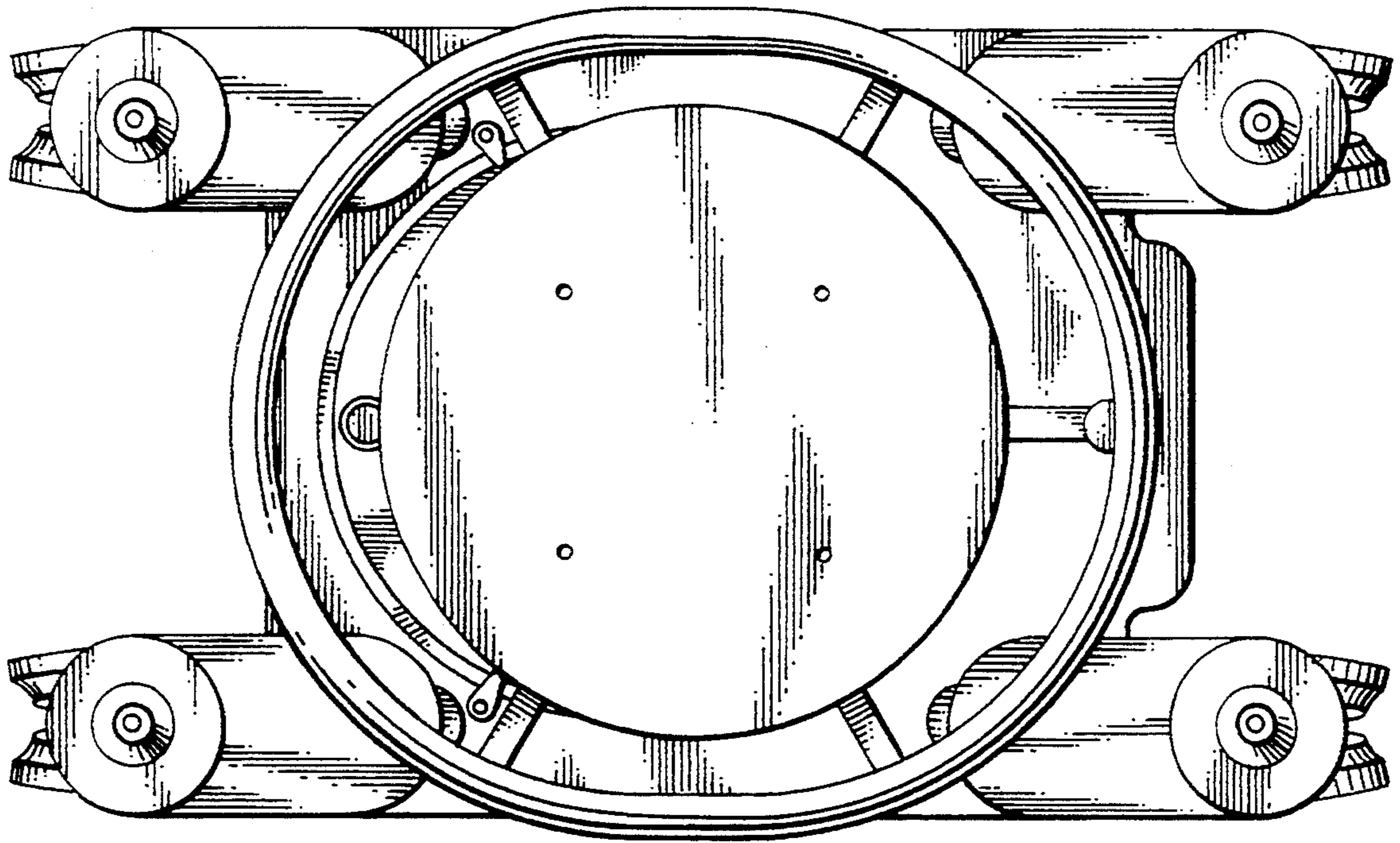


Fig. 7

Fig. 8

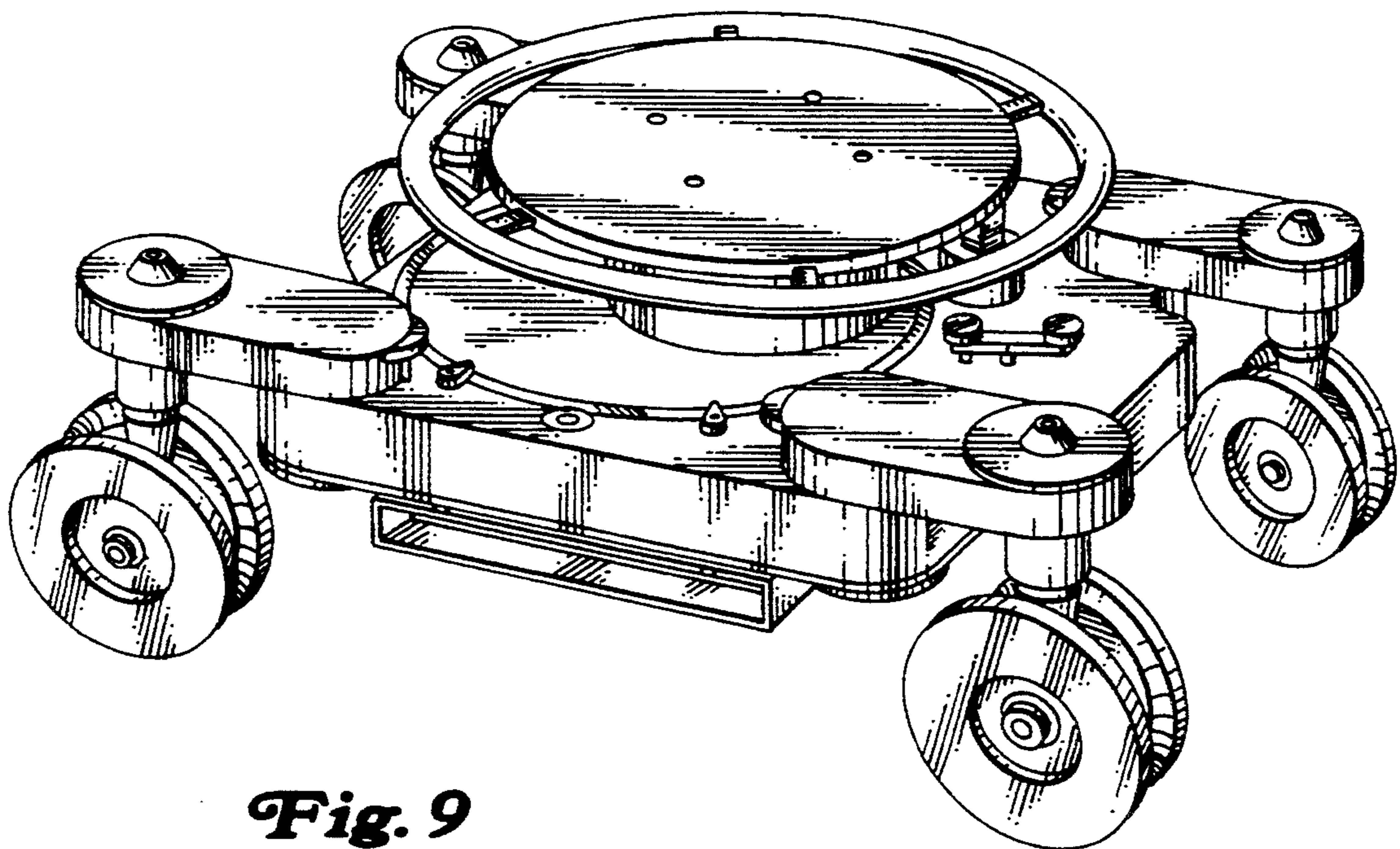
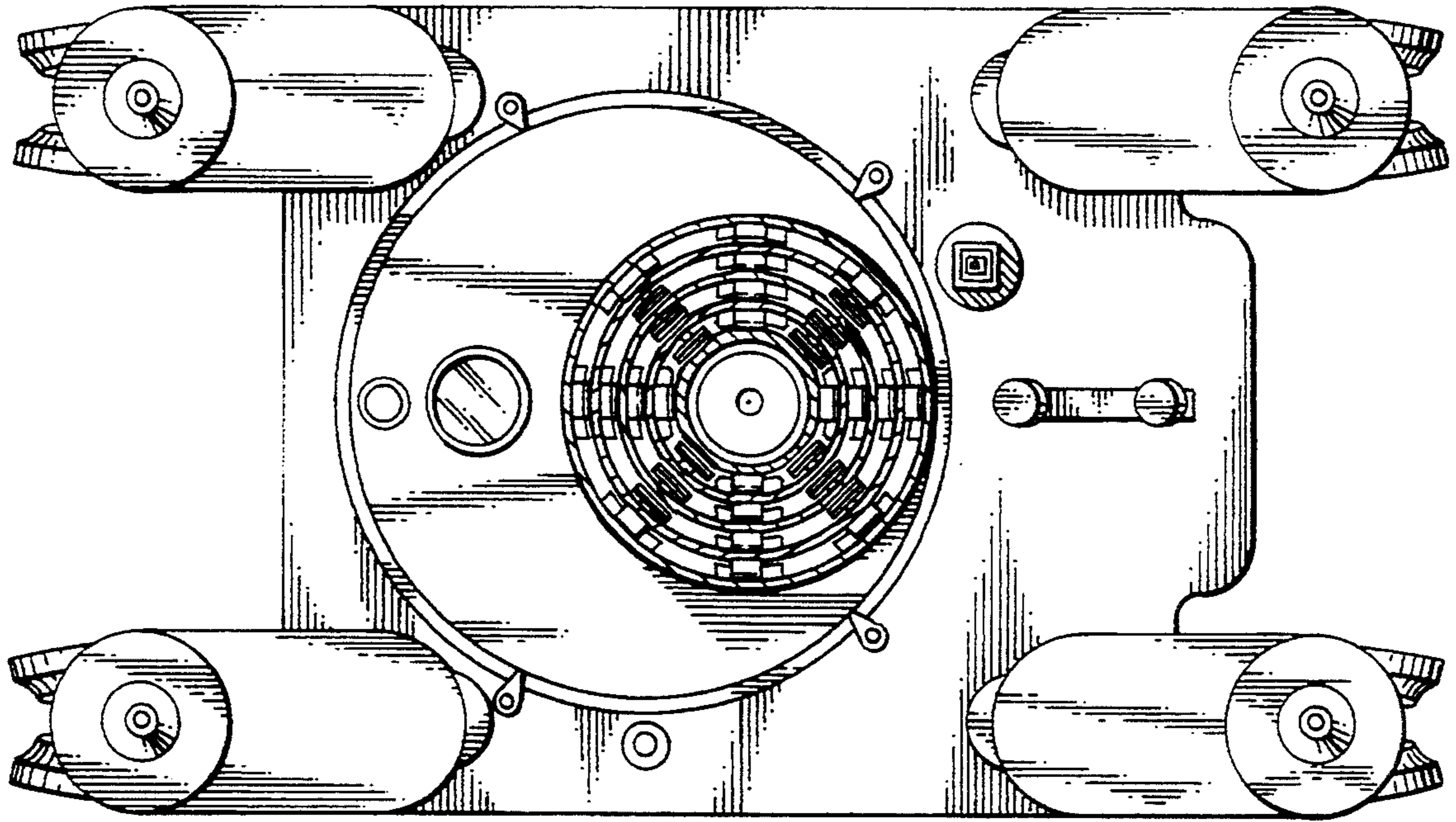


Fig. 9