



US00D361586S

United States Patent [19]

[11] Patent Number: **Des. 361,586**

Noda

[45] Date of Patent: **** Aug. 22, 1995**

[54] **SHEET FILM HOLDER**

4,821,055 4/1989 Loose et al. 354/282
4,994,835 2/1991 Loose et al. 354/282

[75] Inventor: **Mariko Noda**, Tokyo, Japan

Primary Examiner—Theodore M. Shooman
Assistant Examiner—Adir Aronovich
Attorney, Agent, or Firm—Young & Thompson

[73] Assignee: **Fuji Photo Film Co., Ltd.**, Kanagawa, Japan

[**] Term: **14 Years**

[57] **CLAIM**

[21] Appl. No.: **18,638**

The ornamental design for a sheet film holder, as shown and described.

[22] Filed: **Feb. 14, 1994**

DESCRIPTION

[30] **Foreign Application Priority Data**

Aug. 13, 1993 [JP] Japan 5-24877

[52] **U.S. Cl.** **D16/236**

[58] **Field of Search** D14/114; D16/236, 237, D16/250; 354/276, 277, 282

FIG. 1 is a front, side and top perspective view of a sheet film holder showing my new design; FIG. 2 is a rear, side and top perspective view thereof; FIG. 3 is a front elevational view thereof; FIG. 4 is a rear elevational view thereof; FIG. 5 is a top plan view thereof; FIG. 6 is a bottom plan view thereof; FIG. 7 is a side elevational view thereof from the left of FIG. 3; FIG. 8 is a side elevational view thereof from the right of FIG. 3; and, FIG. 9 is a front perspective view thereof, the broken line showing of a sheet film pack is for illustrative purposes only and forms no part of the claimed design.

[56] **References Cited**

U.S. PATENT DOCUMENTS

D. 220,597	4/1971	Dawson et al.	D14/114
D. 240,765	7/1976	LeFevre et al.	D16/236
D. 302,434	7/1989	Cawthorne	D16/236
D. 350,124	8/1994	Nakaizumi	D14/114
4,186,308	1/1980	Erikson	354/276
4,725,865	2/1988	Hoffman, Jr.	354/276

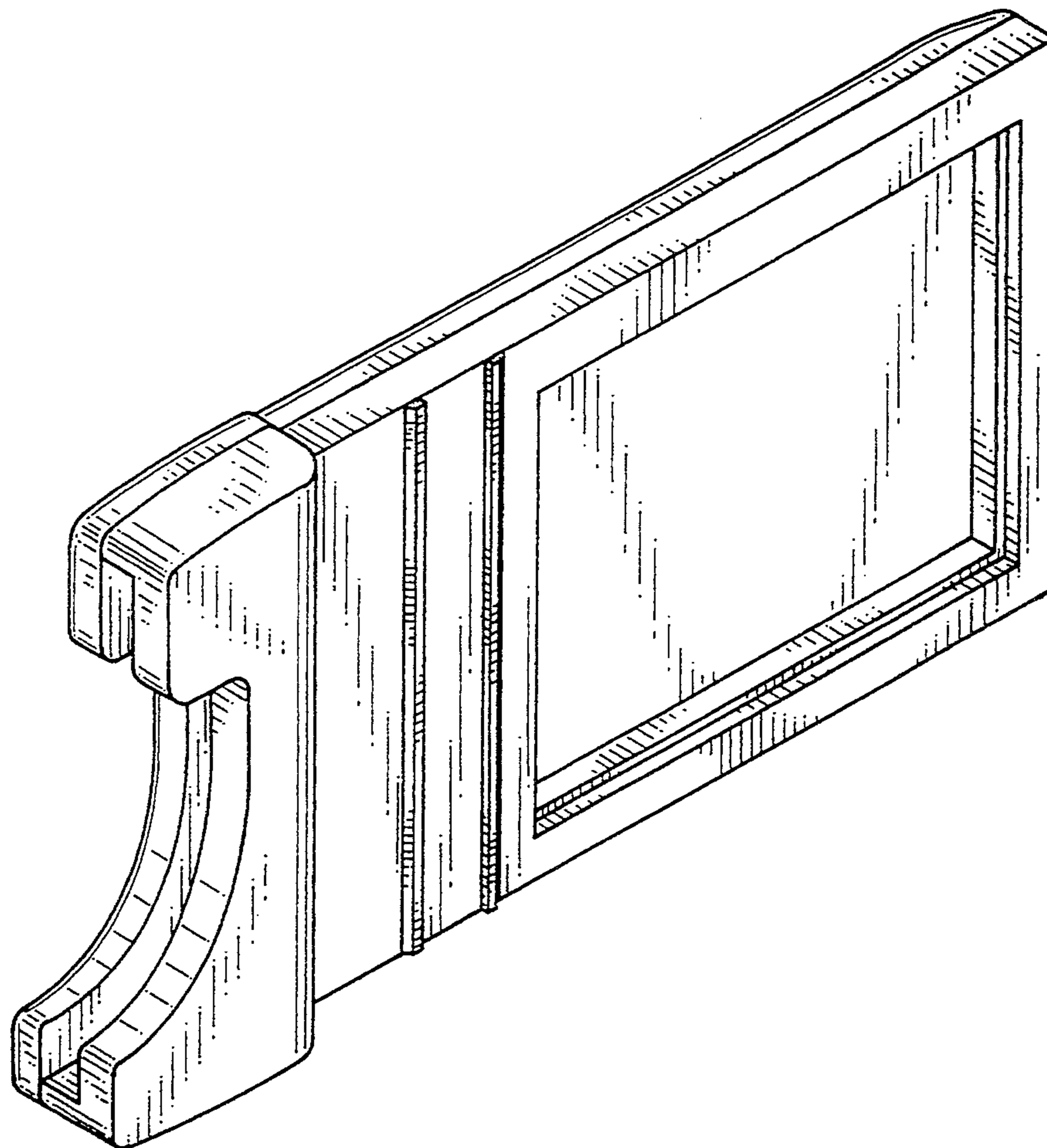


FIG. 1

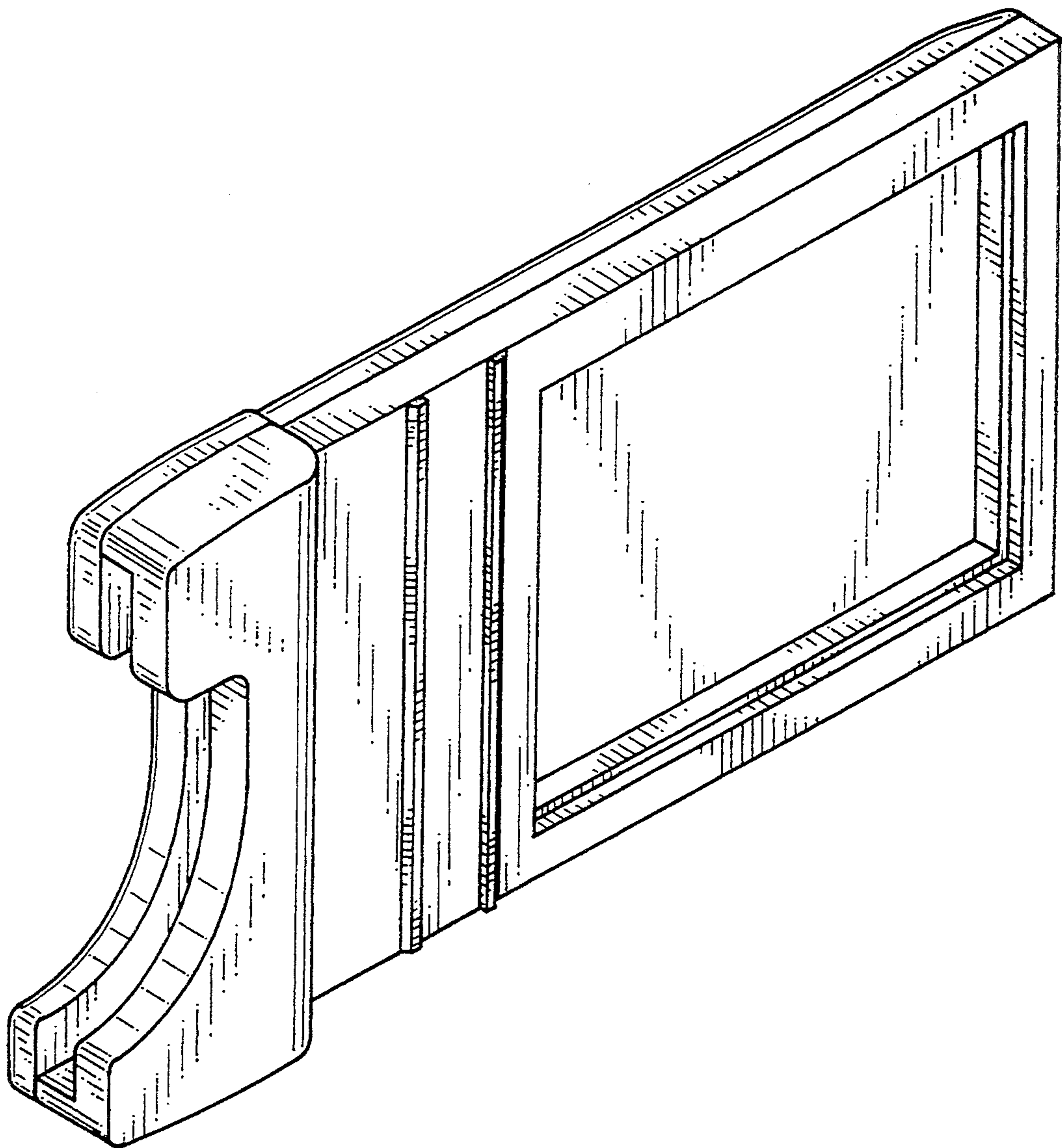


FIG. 2

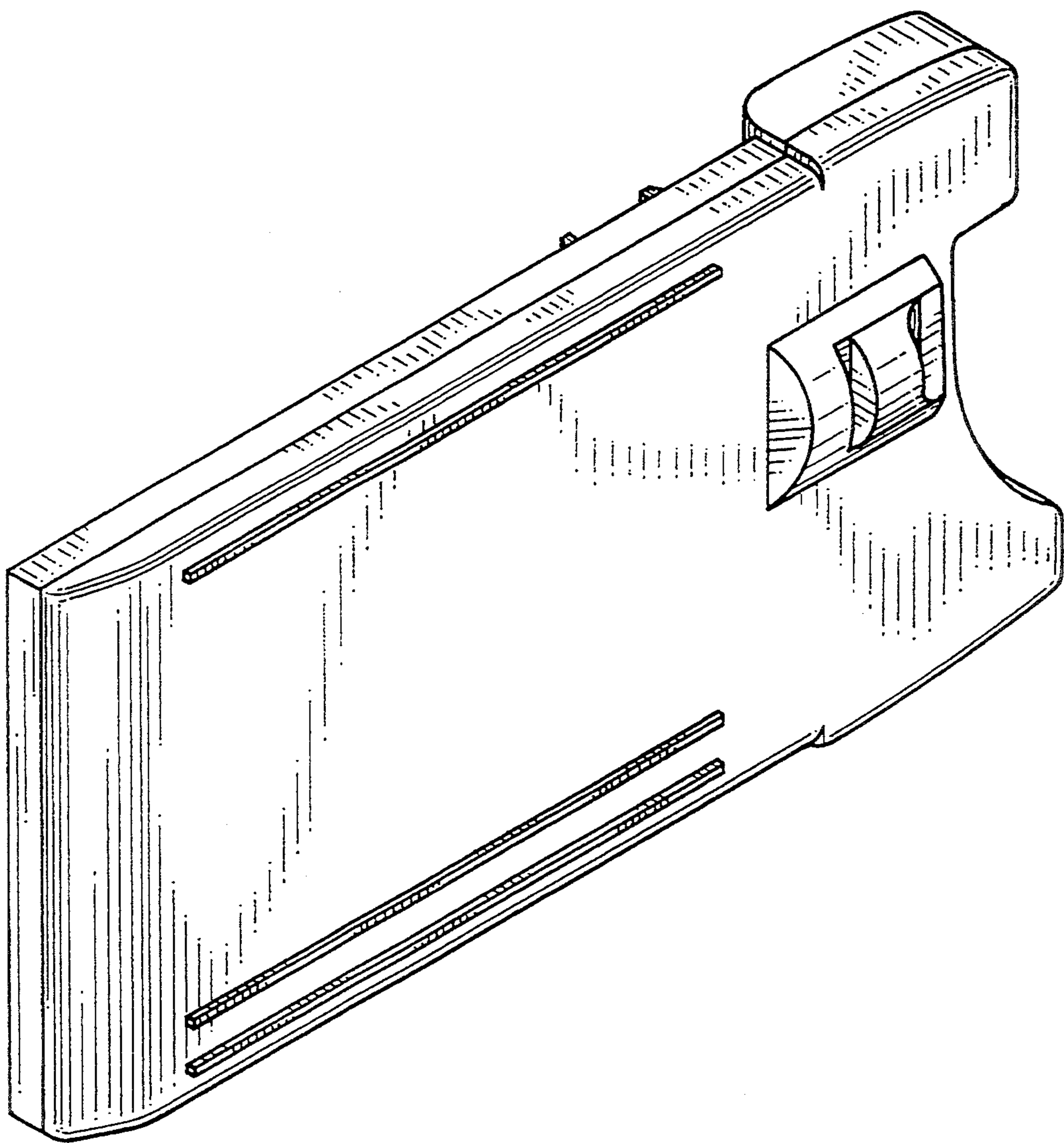


FIG. 3

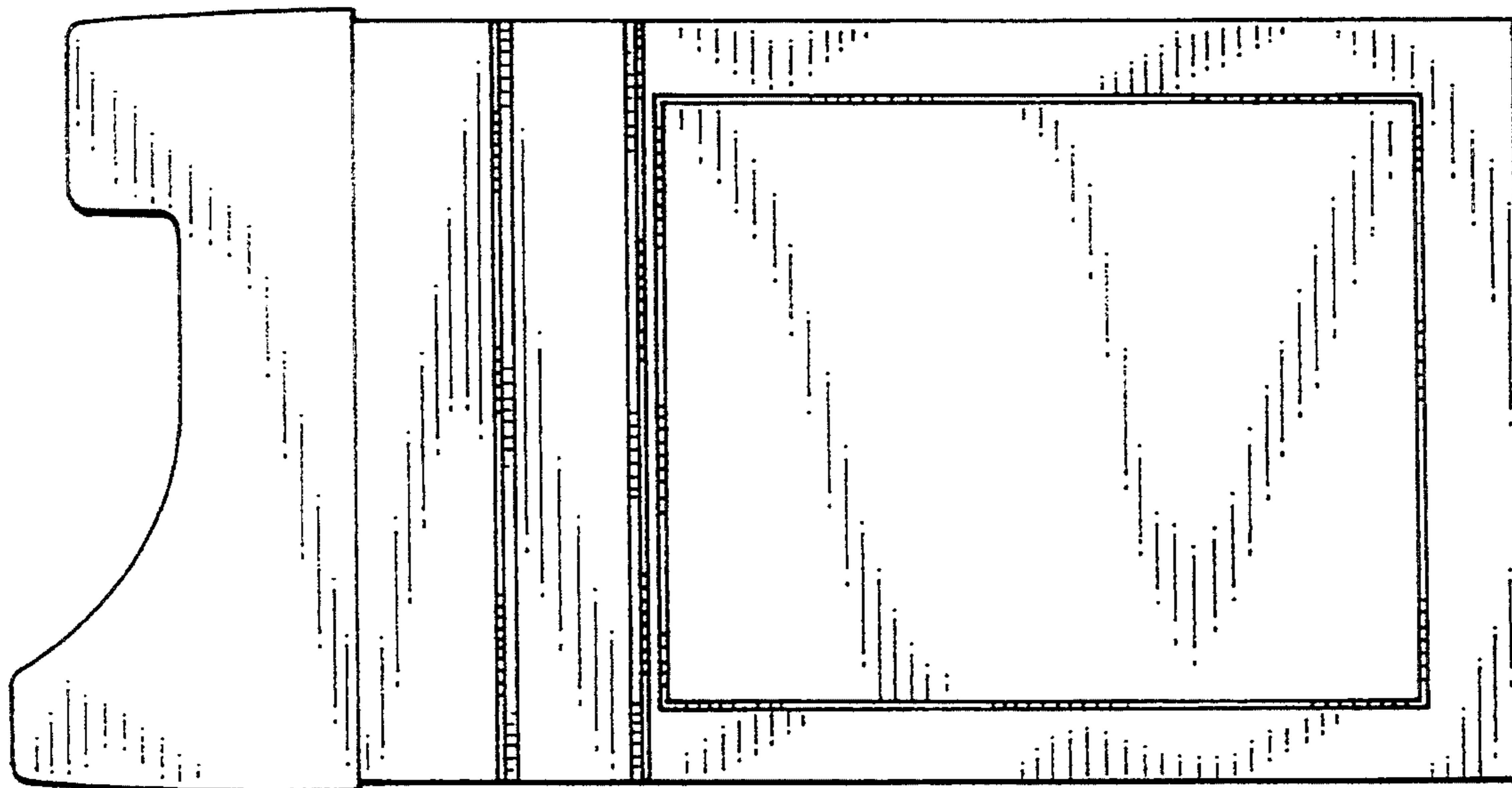


FIG. 4

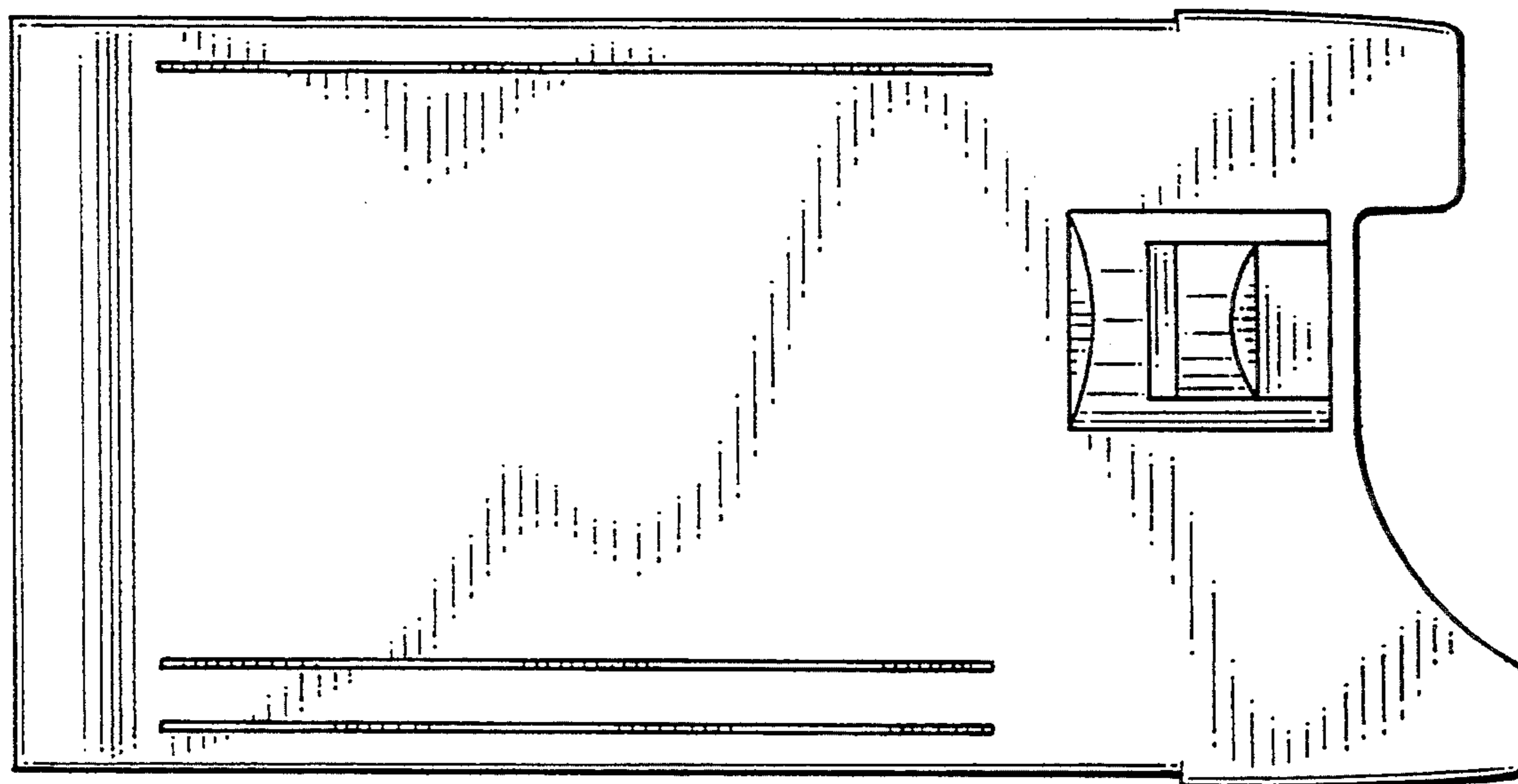


FIG. 5

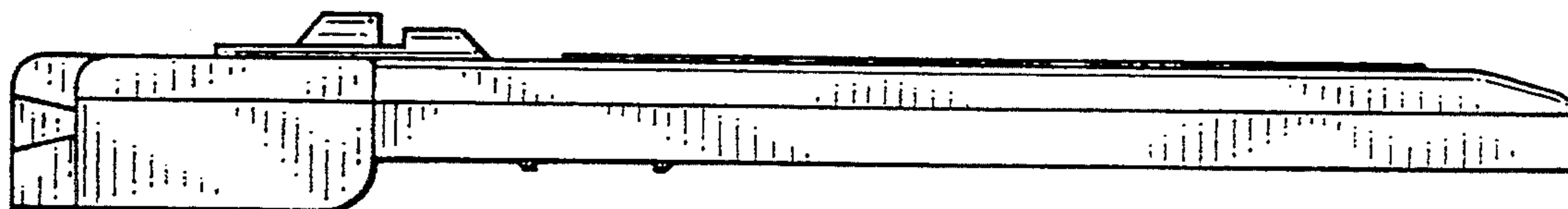


FIG. 6

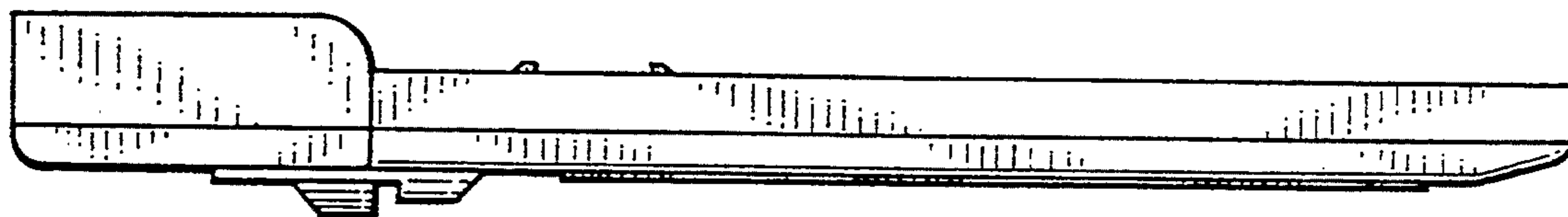


FIG. 7

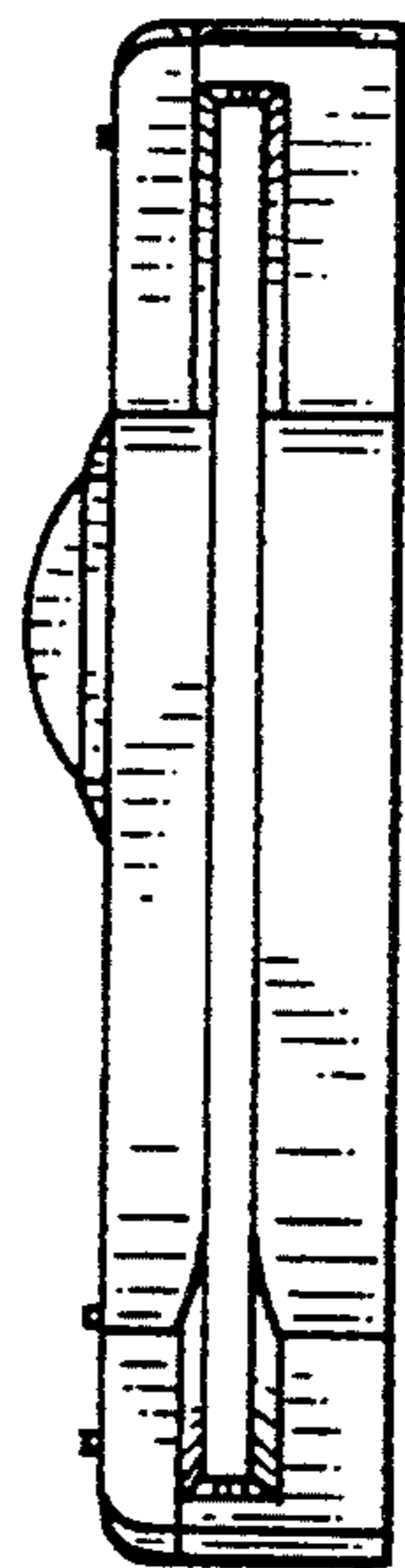
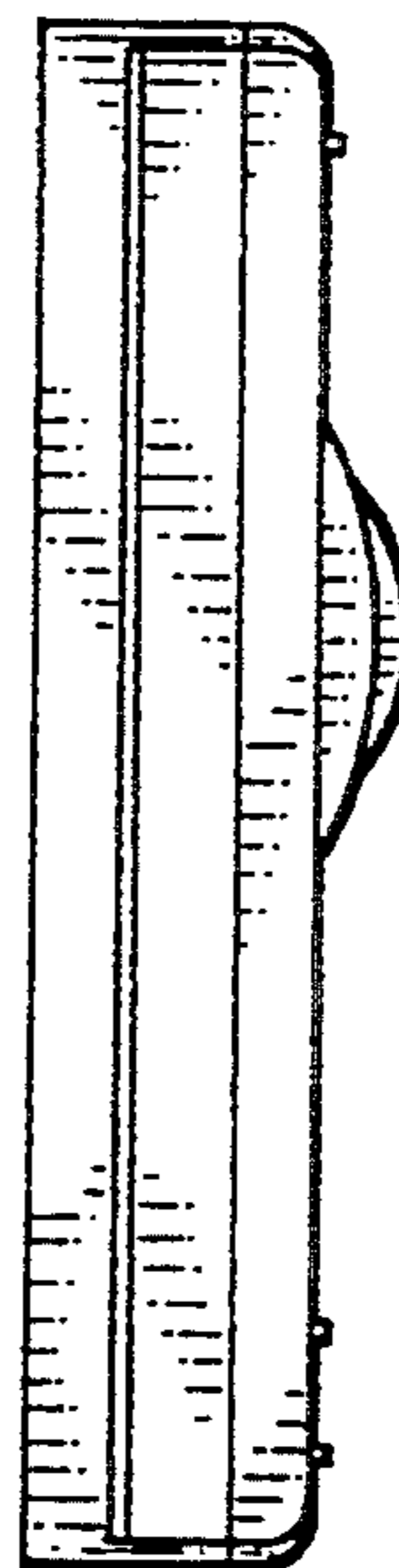


FIG. 8



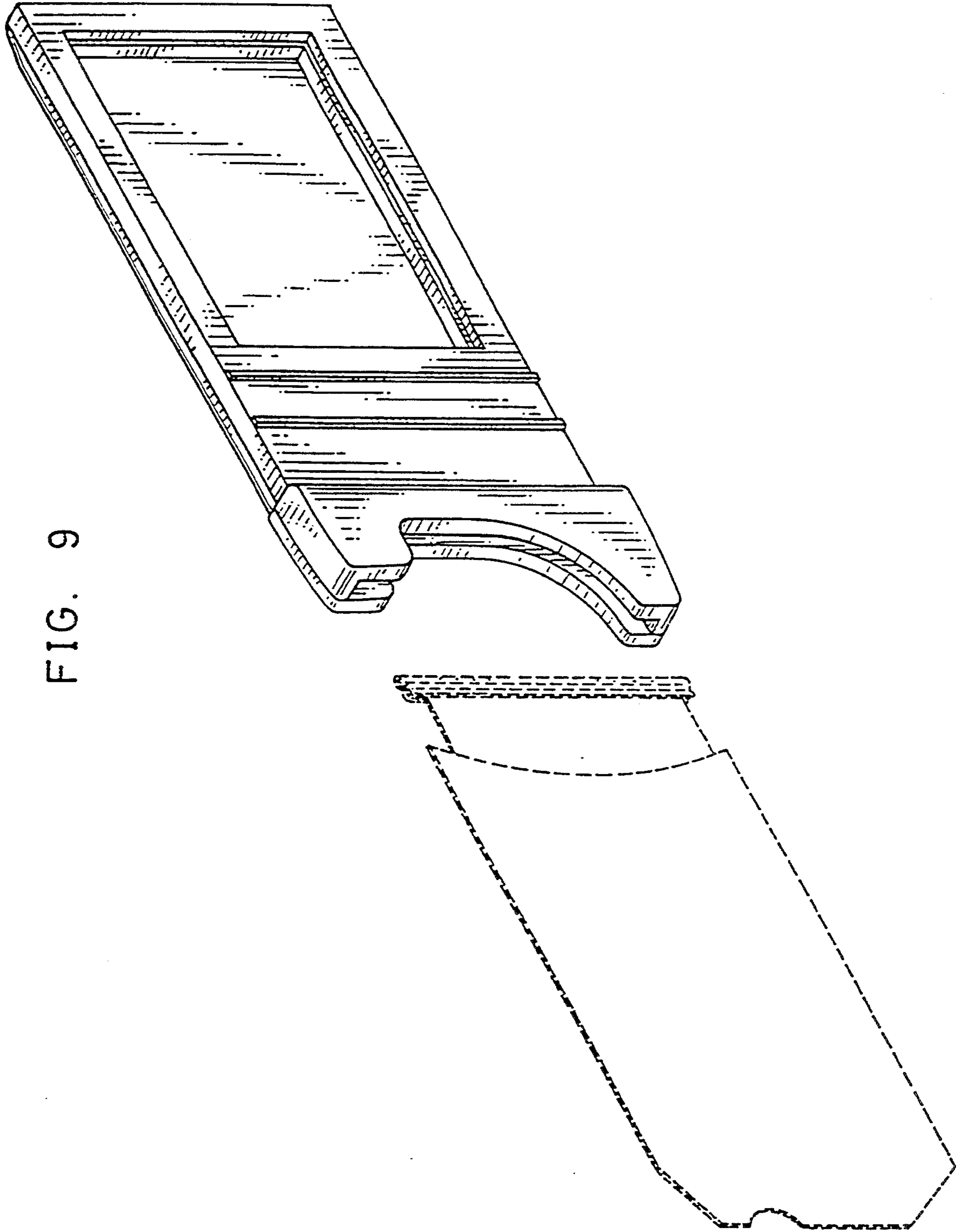


FIG. 9