



US00D361584S

United States Patent [19]

Mori

[11] Patent Number: **Des. 361,584**

[45] Date of Patent: **** Aug. 22, 1995**

[54] **VIDEO CAMERA WITH LIQUID CRYSTAL MONITOR AND VIDEO TAPE RECORDER**

[75] Inventor: **Masakazu Mori**, Ehime, Japan

[73] Assignee: **Matsushita Electric Industrial Co., Ltd.**, Osaka, Japan

[**] Term: **14 Years**

[21] Appl. No.: **29,508**

[22] Filed: **Oct. 7, 1994**

[30] **Foreign Application Priority Data**

Apr. 8, 1994 [JP] Japan 6-9929

[52] U.S. Cl. **D16/202**

[58] Field of Search D16/200-205,
D16/208; 348/373-376; 352/34, 242, 243;
354/82, 288; H04N 5/225

[56] **References Cited**

U.S. PATENT DOCUMENTS

D. 296,551	11/1988	Mizogui	D16/202
D. 352,728	11/1994	Kurokawa et al.	D16/202
D. 354,300	1/1995	Ina et al.	D16/202
4,303,322	12/1981	Someya	348/375
4,873,576	10/1989	Hattori et al.	348/373

FOREIGN PATENT DOCUMENTS

4-84571 3/1992 Japan H04N 5/225

OTHER PUBLICATIONS

Video Review, Aug. 1989 p. 28 (JVC's camera with LDC screen) Located in examiner's office.

Video Magazine, May 1992 p. 43 (camcorder with LDC monitor) Located in PTO Scientific Library. Copy of catalog Sony's issued on Feb. 1994.

Primary Examiner—Prabhakar G. Deshmukh
Assistant Examiner—Adir Aronovich
Attorney, Agent, or Firm—Sughrue, Mion, Zinn, Macpeak & Seas

[57] **CLAIM**

The ornamental design for a video camera with liquid crystal monitor and video tape recorder, as shown and described.

DESCRIPTION

FIG. 1 is a perspective view of the top, front and right side of a video camera with liquid crystal monitor and video tape recorder with the upper portion pivoted to a horizontal front facing position showing my new design;

FIG. 2 is a perspective view of the top, rear and left side thereof;

FIG. 3 is a front elevational view thereof;

FIG. 4 is a rear elevational view thereof;

FIG. 5 is a top plan view thereof;

FIG. 6 is a bottom plan view thereof;

FIG. 7 is a left side elevational view thereof;

FIG. 8 is a right side elevational view thereof;

FIG. 9 is a perspective view similar to FIG. 1 with the upper portion pivoted to a vertical position thereof; and,

FIG. 10 is a perspective view similar to FIG. 2 with the top portion pivoted to a horizontal rear facing position thereof.

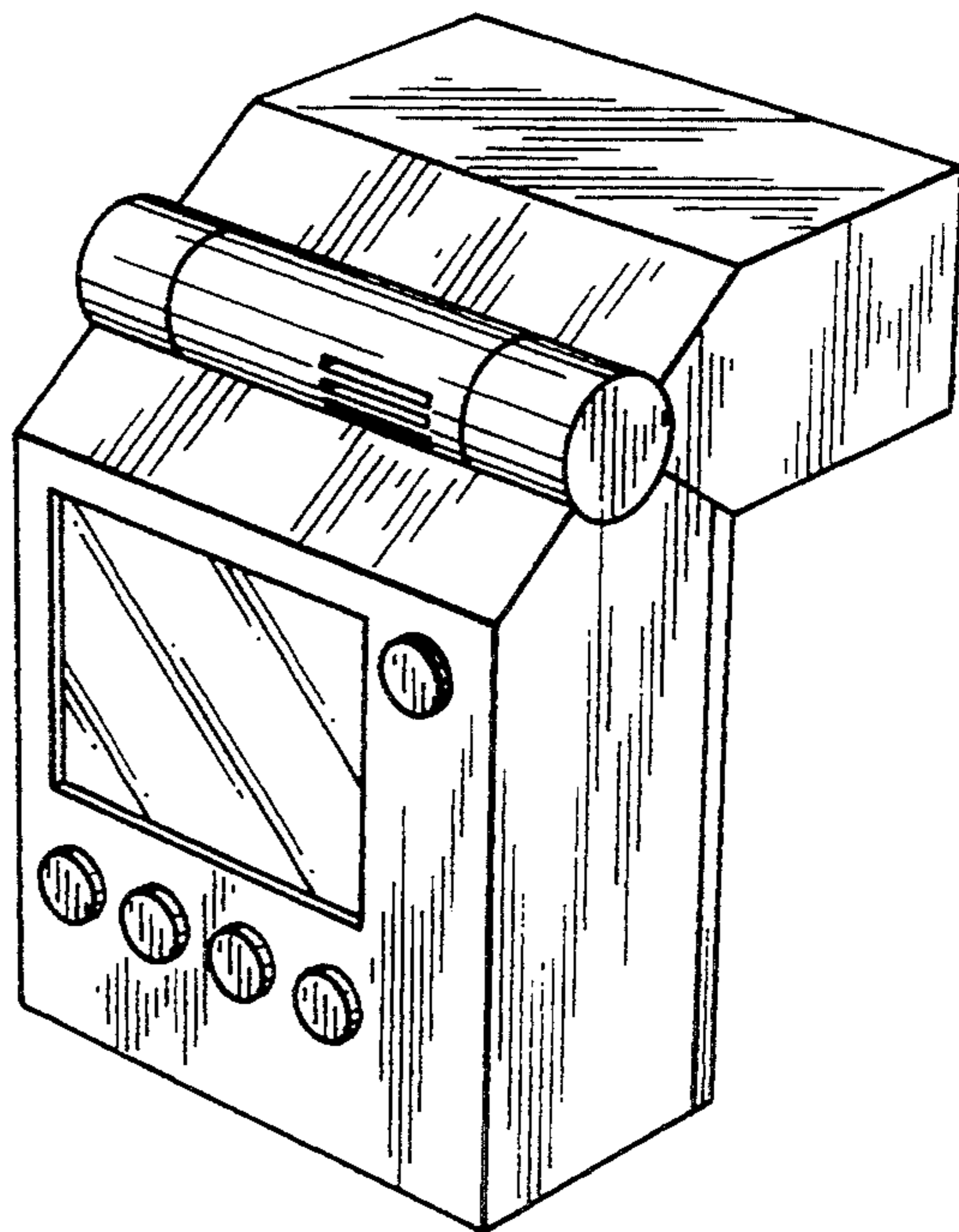
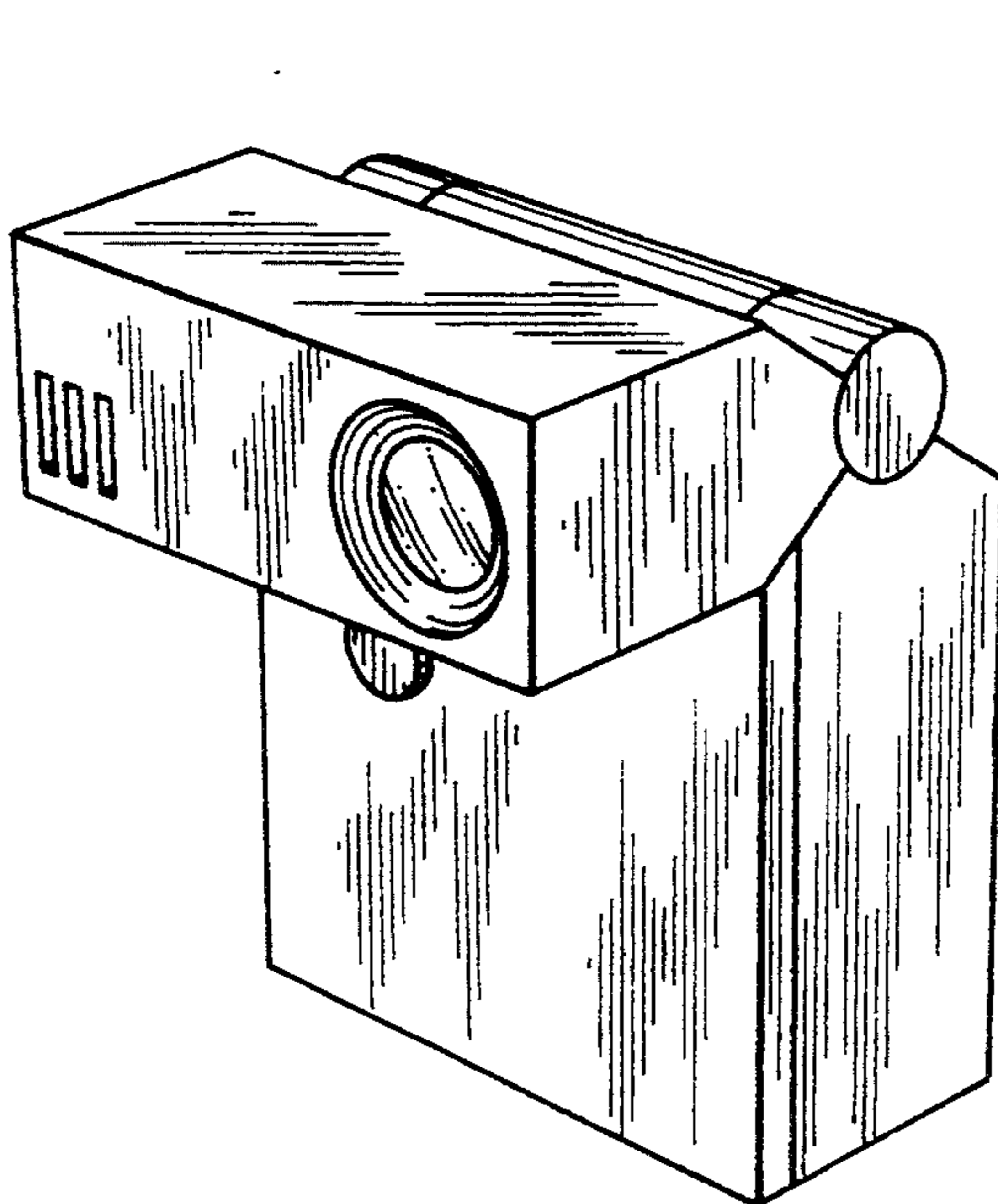


FIG. 1

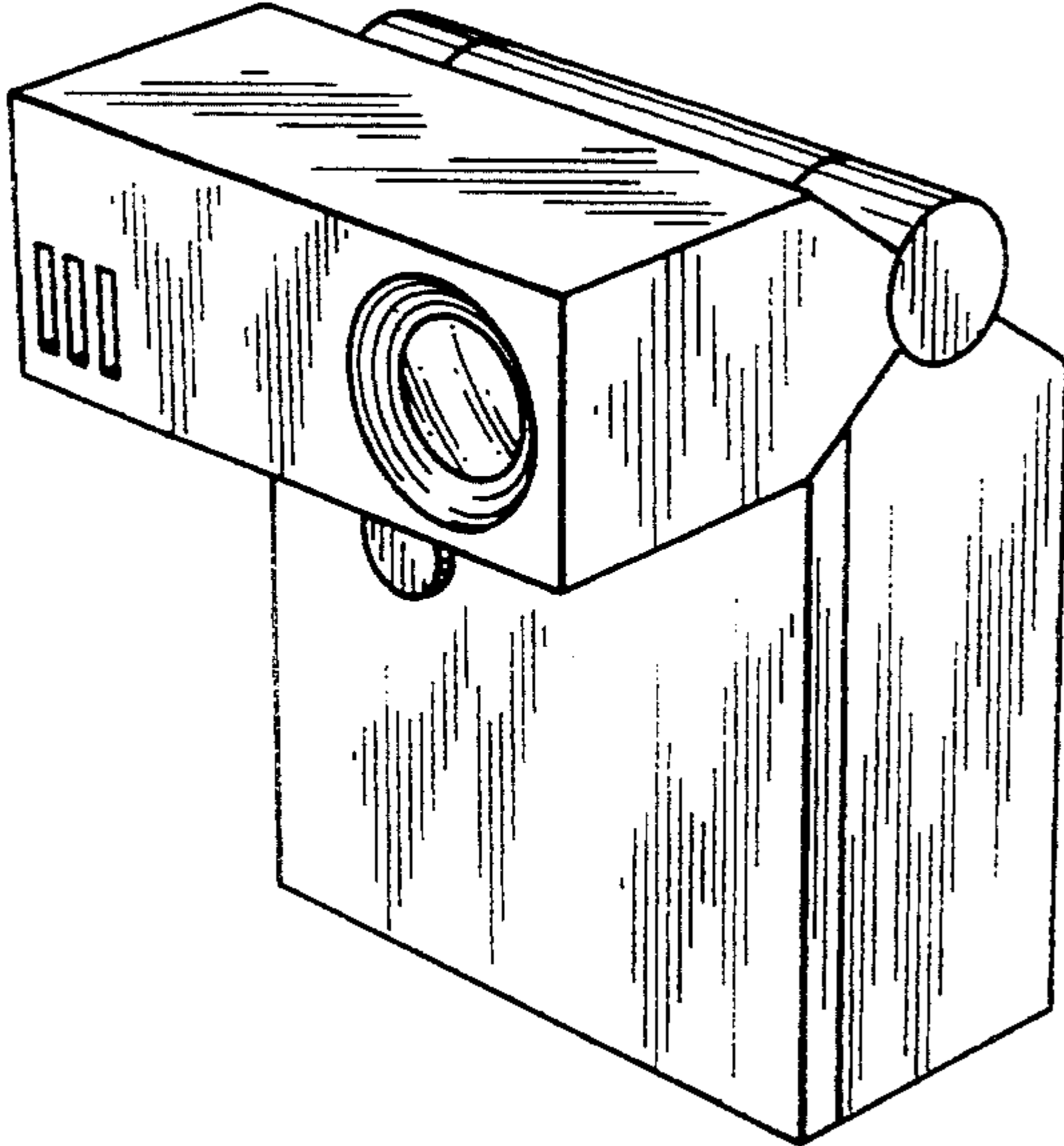


FIG. 2

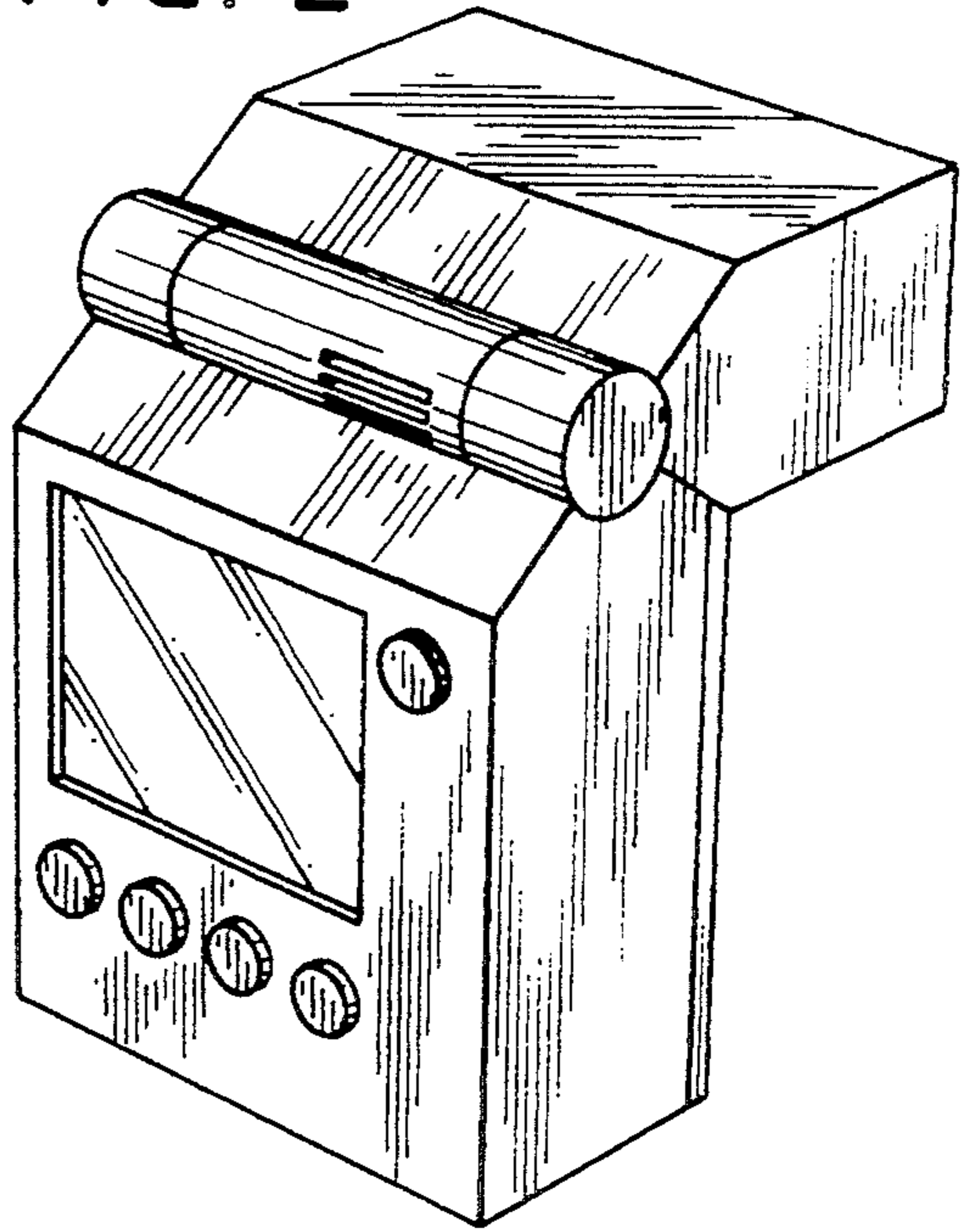


FIG. 3

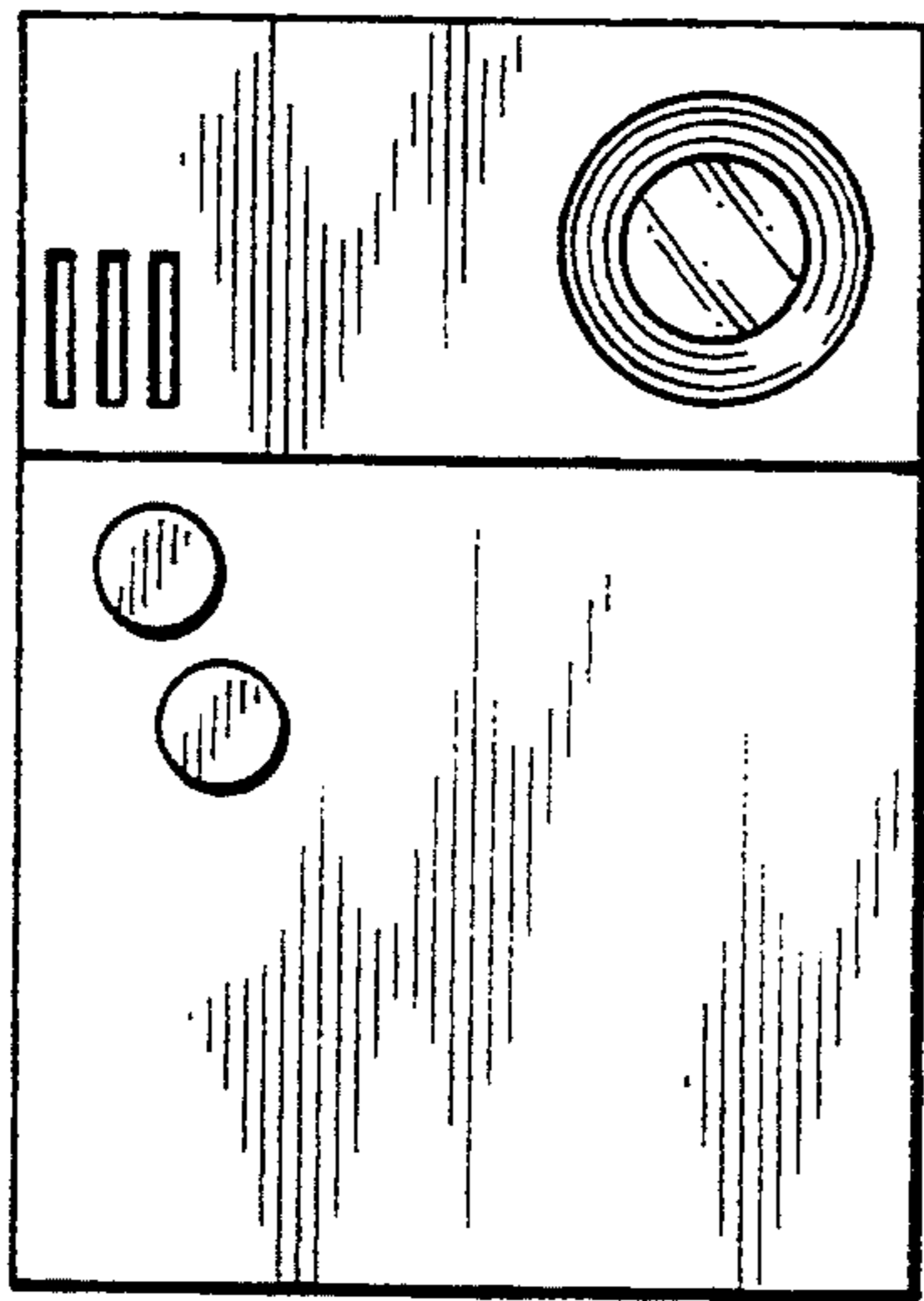


FIG. 4

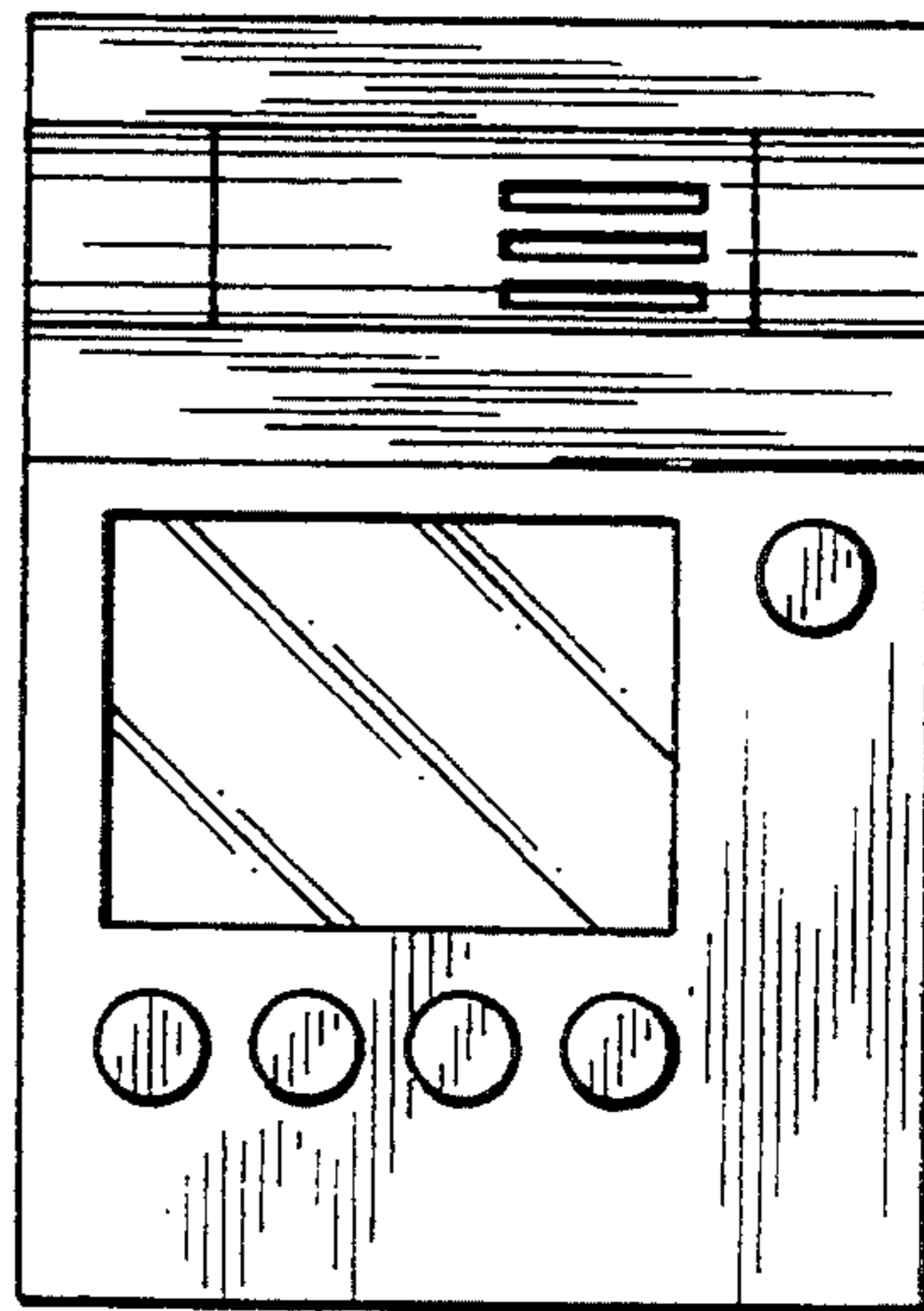


FIG. 5

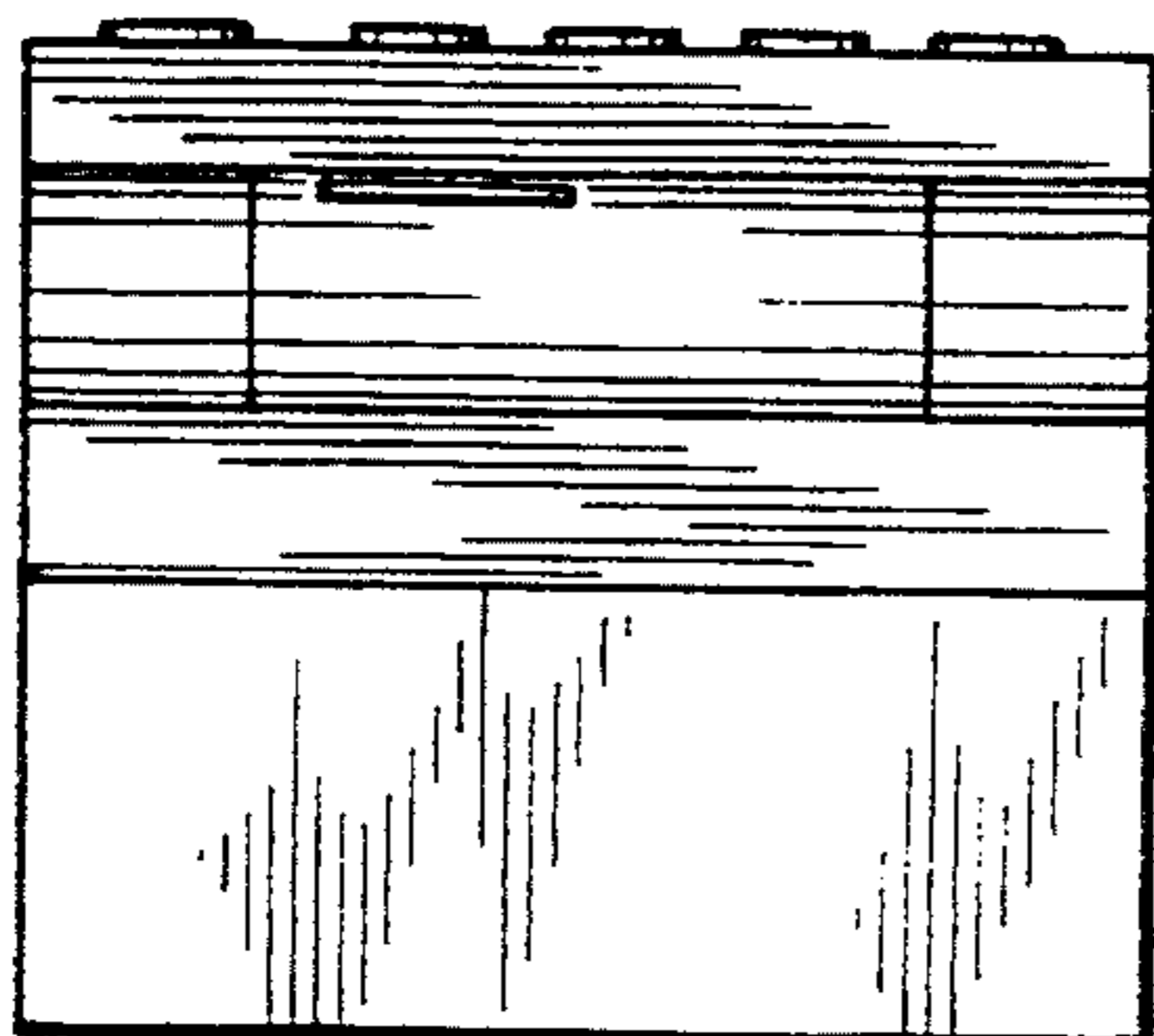


FIG. 6

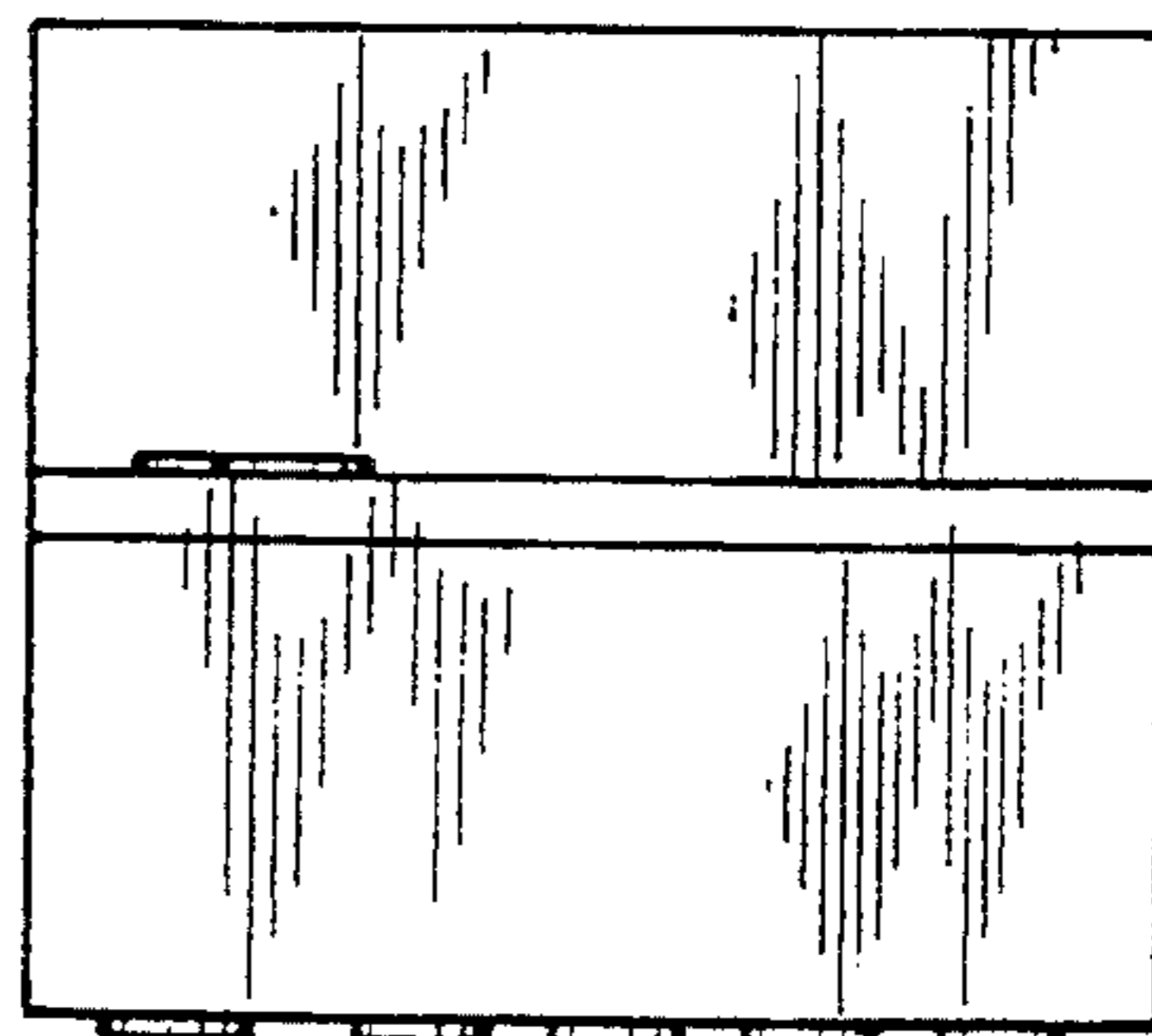


FIG. 7

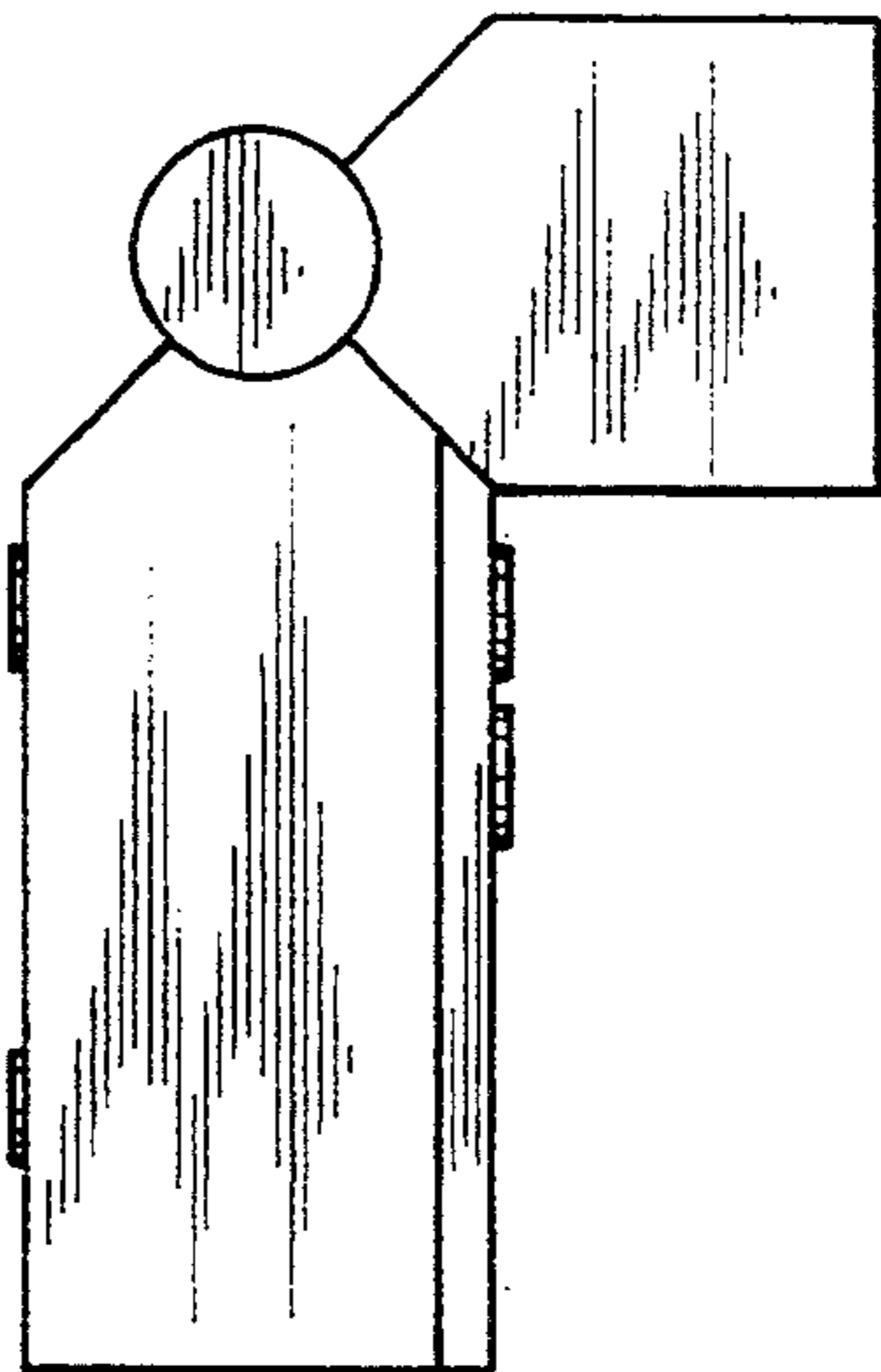


FIG. 8

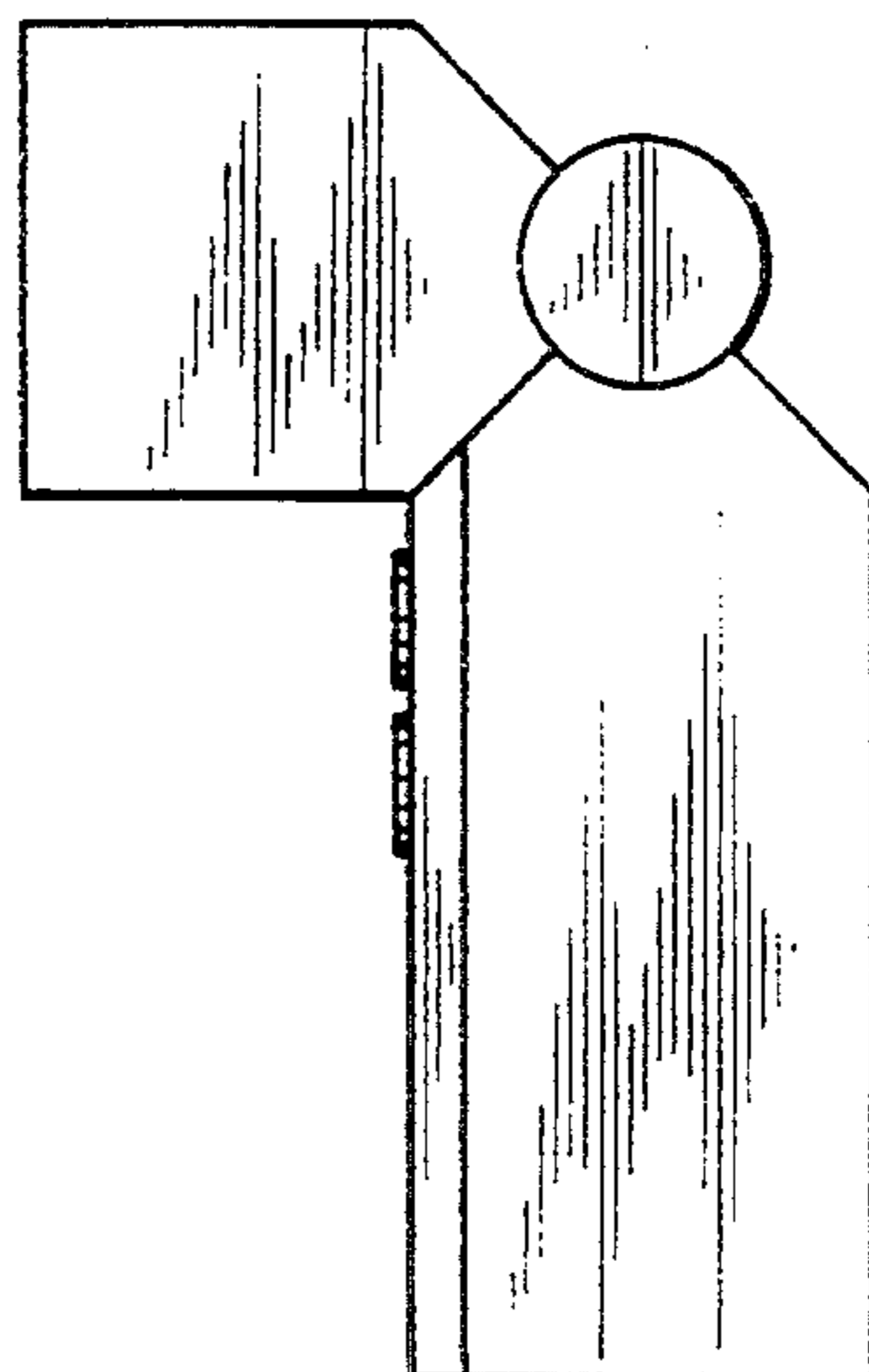


FIG. 9

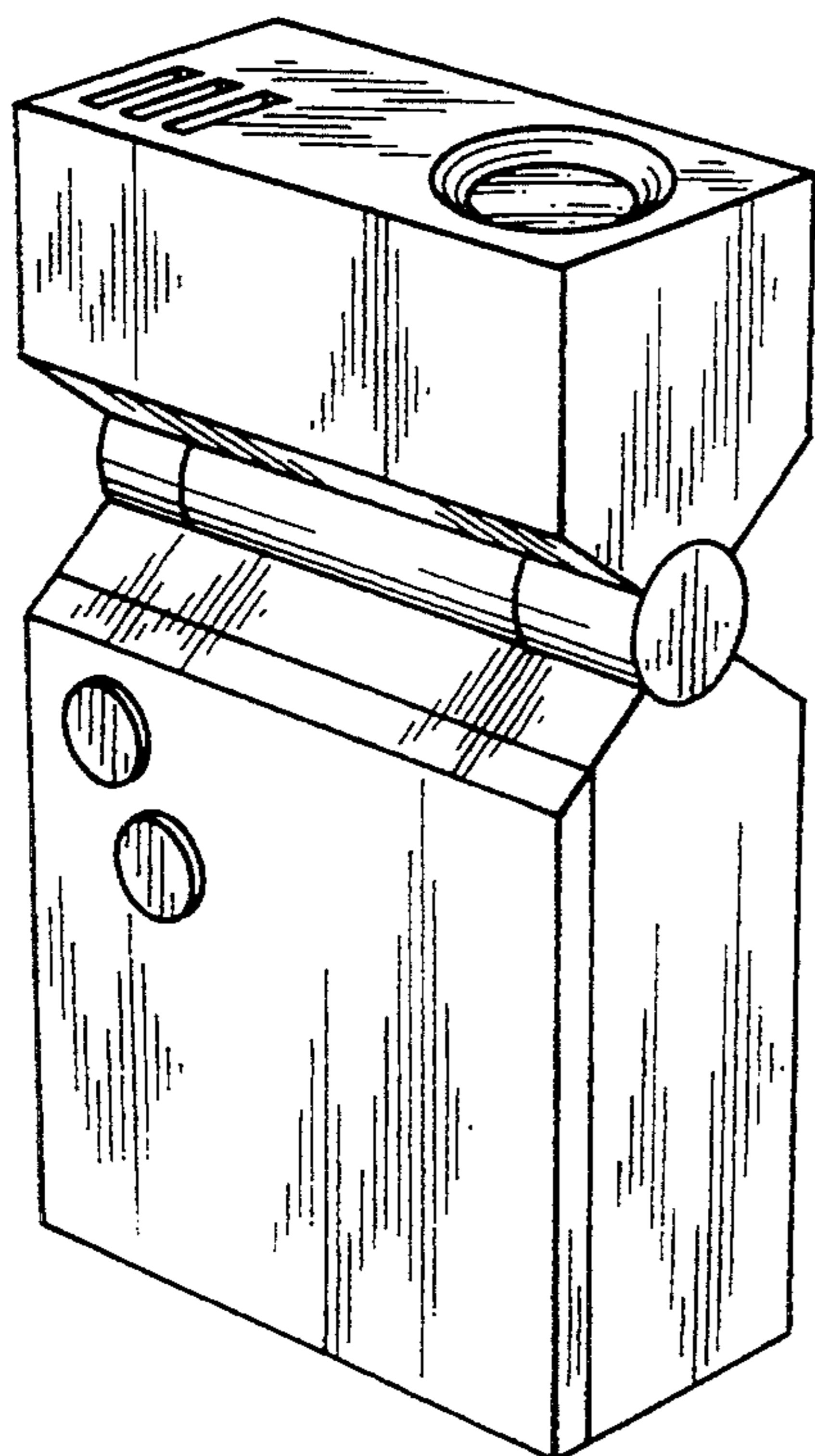


FIG. 10

