



US00D361583S

United States Patent [19]

Mori et al.

[11] Patent Number: **Des. 361,583**

[45] Date of Patent: **** Aug. 22, 1995**

[54] VIDEO CAMERA WITH LIQUID CRYSTAL MONITOR AND VIDEO TAPE RECORDER

[75] Inventors: **Masakazu Mori; Nozomu Oiso; Masaaki Goto**, all of Ehime, Japan

[73] Assignee: **Matsushita Electric Industrial Co., Ltd.**, Osaka, Japan

[**] Term: **14 Years**

[21] Appl. No.: **29,507**

[22] Filed: **Oct. 7, 1994**

[30] Foreign Application Priority Data

Apr. 8, 1994 [JP] Japan 6-9930

[52] U.S. Cl. **D16/202**

[58] Field of Search D16/200-205,
D16/208; 348/373-376; 352/34, 292, 293;
354/82, 288; H04N 5/225

[56] References Cited

U.S. PATENT DOCUMENTS

- D. 296,551 11/1988 Mizogui D16/202
- D. 352,728 11/1994 Kurokawa et al. D16/202
- D. 354,300 1/1995 Ina et al. D16/202
- 4,303,322 12/1981 Someya 348/375
- 4,873,576 10/1989 Hattori et al. 348/373

FOREIGN PATENT DOCUMENTS

4-84571 3/1992 Japan H04N 5/225

OTHER PUBLICATIONS

Copy of catalog, Sony's issued on Feb. 1994.
Video Review, Aug. 1989 p. 28 (JVC's camera with LDC screen) Located in examiner's office.
Video Magazine, May 1992 p. 43 (camcorder with LDC monitor) Located in PTO Scientific Library.

Primary Examiner—Theodore M. Shooman
Assistant Examiner—Adir Aronovich
Attorney, Agent, or Firm—Sughrue, Mion, Zinn, Macpeak & Seas

[57] CLAIM

The ornamental design for a video camera with liquid crystal monitor and video tape recorder, as shown and described.

DESCRIPTION

FIG. 1 is a perspective view of the top, front and right side of a video camera with liquid crystal monitor and video tape recorder with the cover in the open position showing our new design;
FIG. 2 is a perspective view of the top, rear and left side thereof;
FIG. 3 is a top plan view thereof;
FIG. 4 is a bottom plan view thereof;
FIG. 5 is a front elevational view thereof;
FIG. 6 is a rear elevational view thereof;
FIG. 7 is a left side elevational view thereof;
FIG. 8 is a right side elevational view thereof; and,
FIG. 9 is a perspective view similar to FIG. 2 with the cover in the closed position.

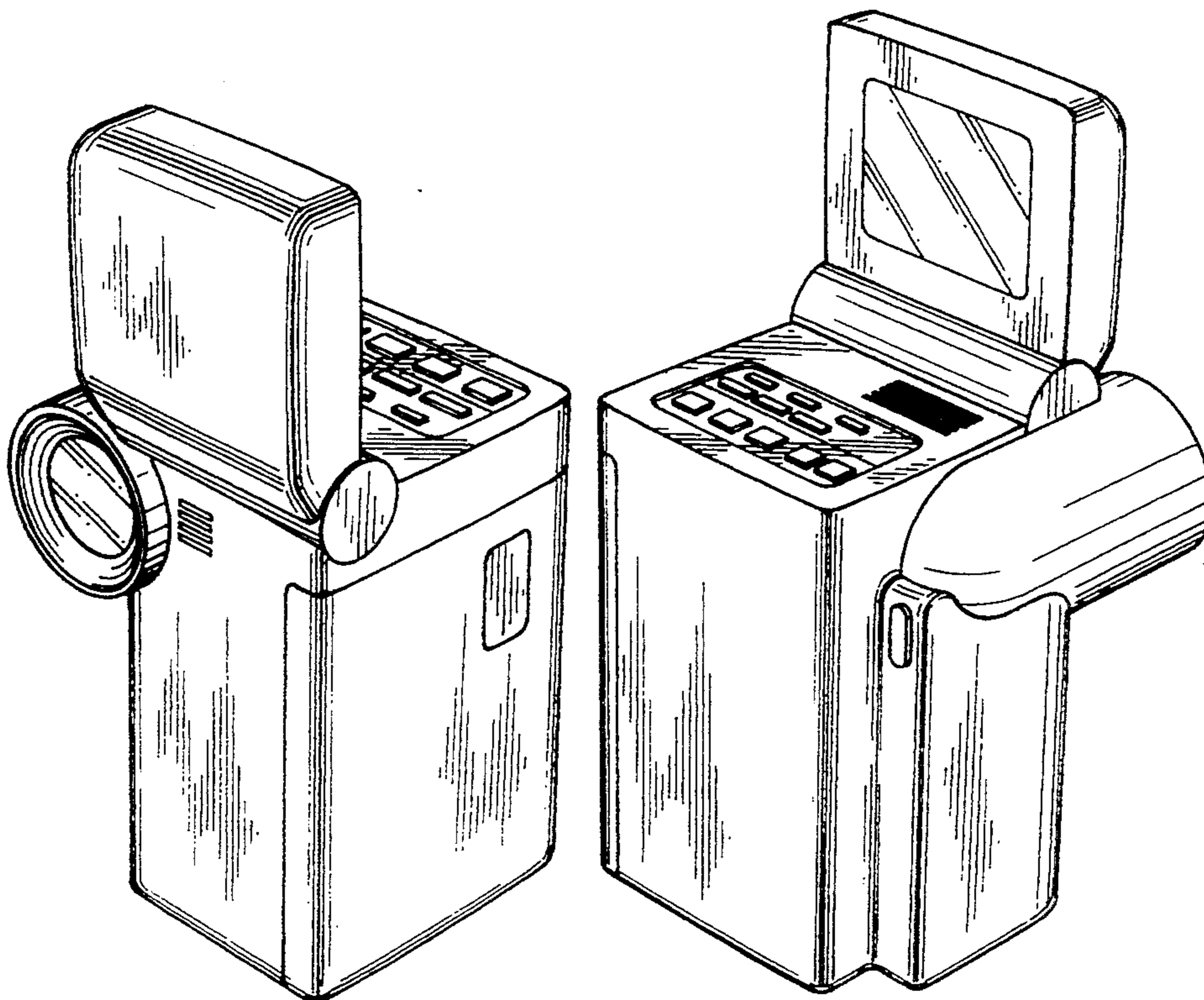


FIG. 1

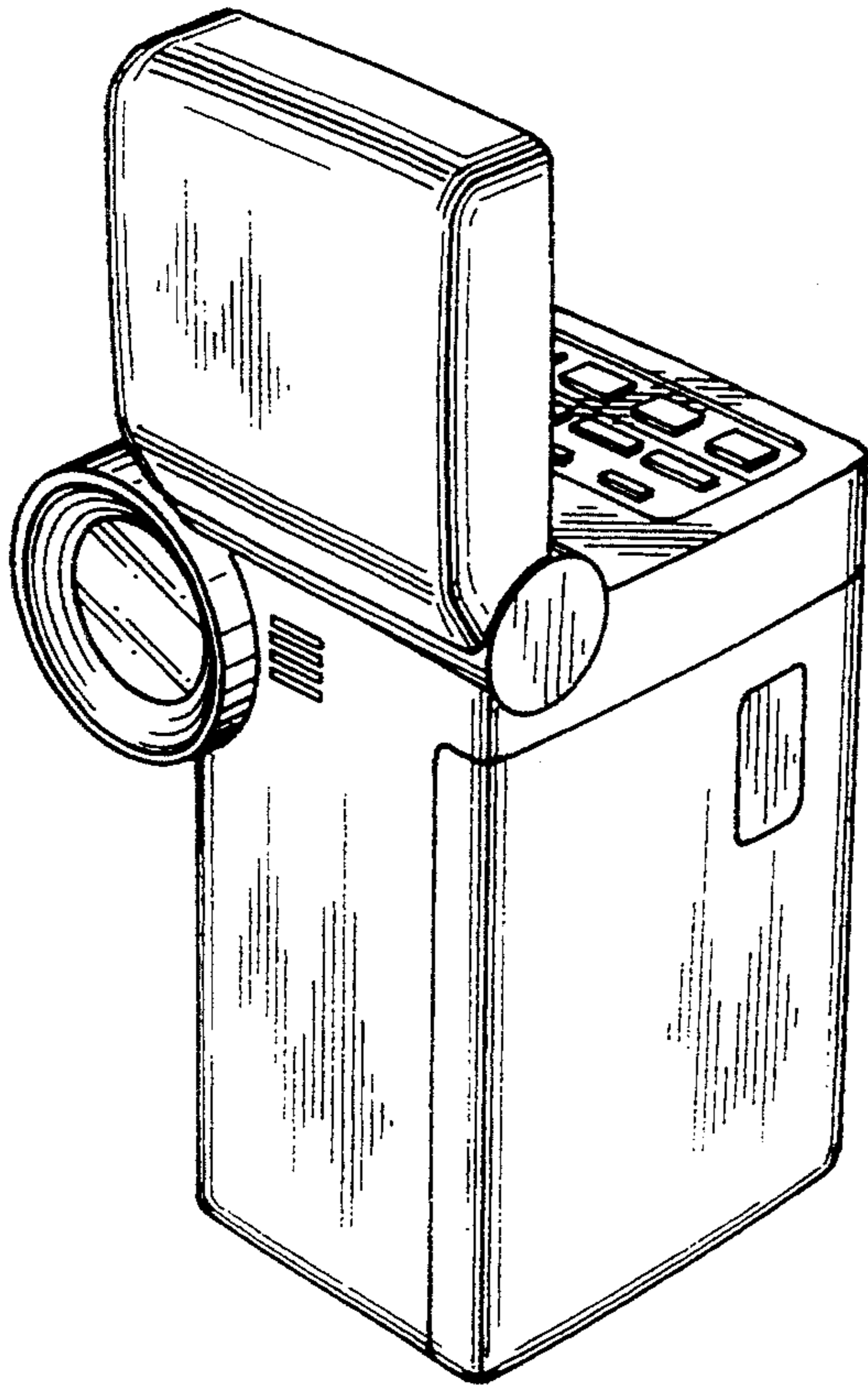


FIG. 2

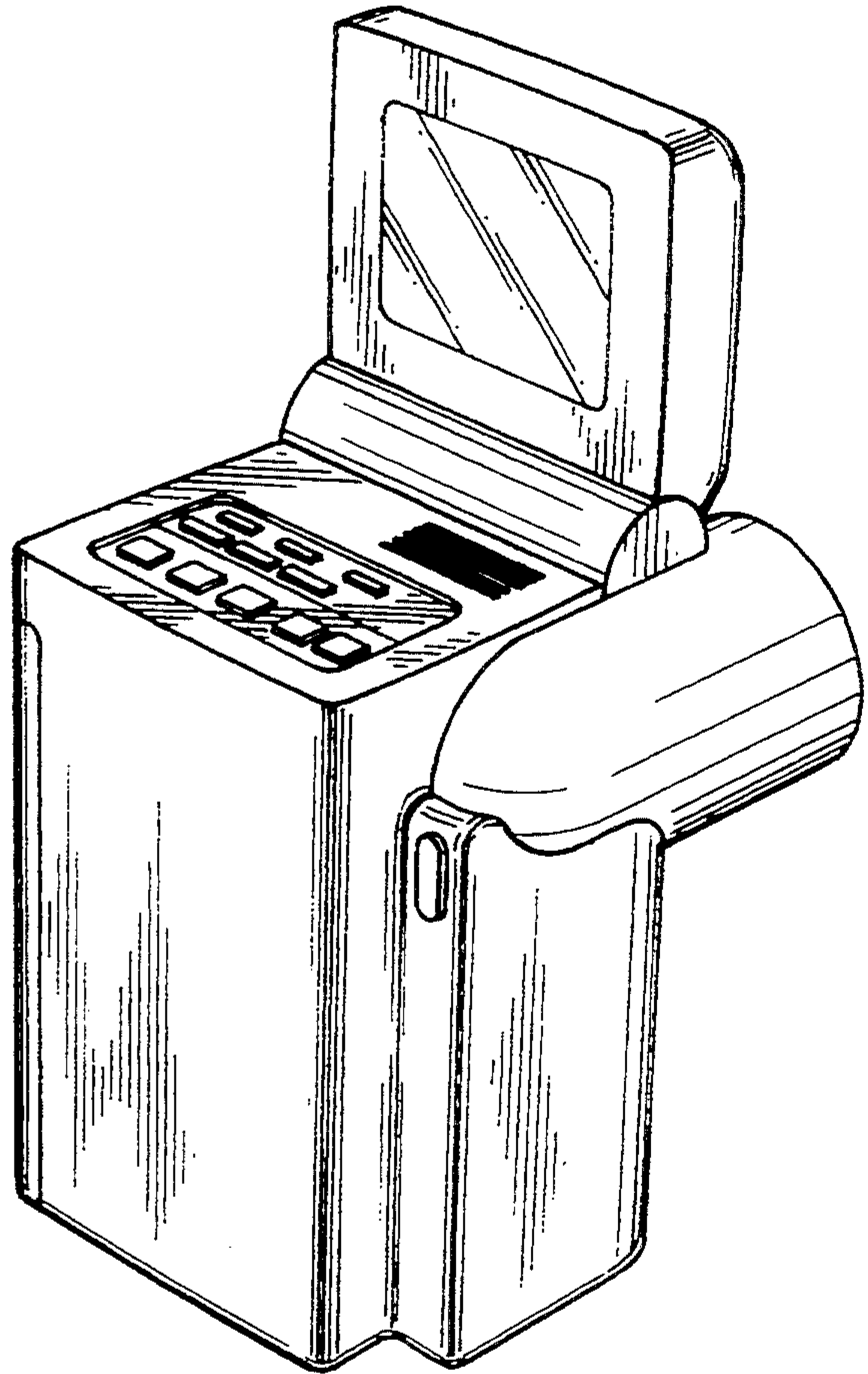


FIG. 3

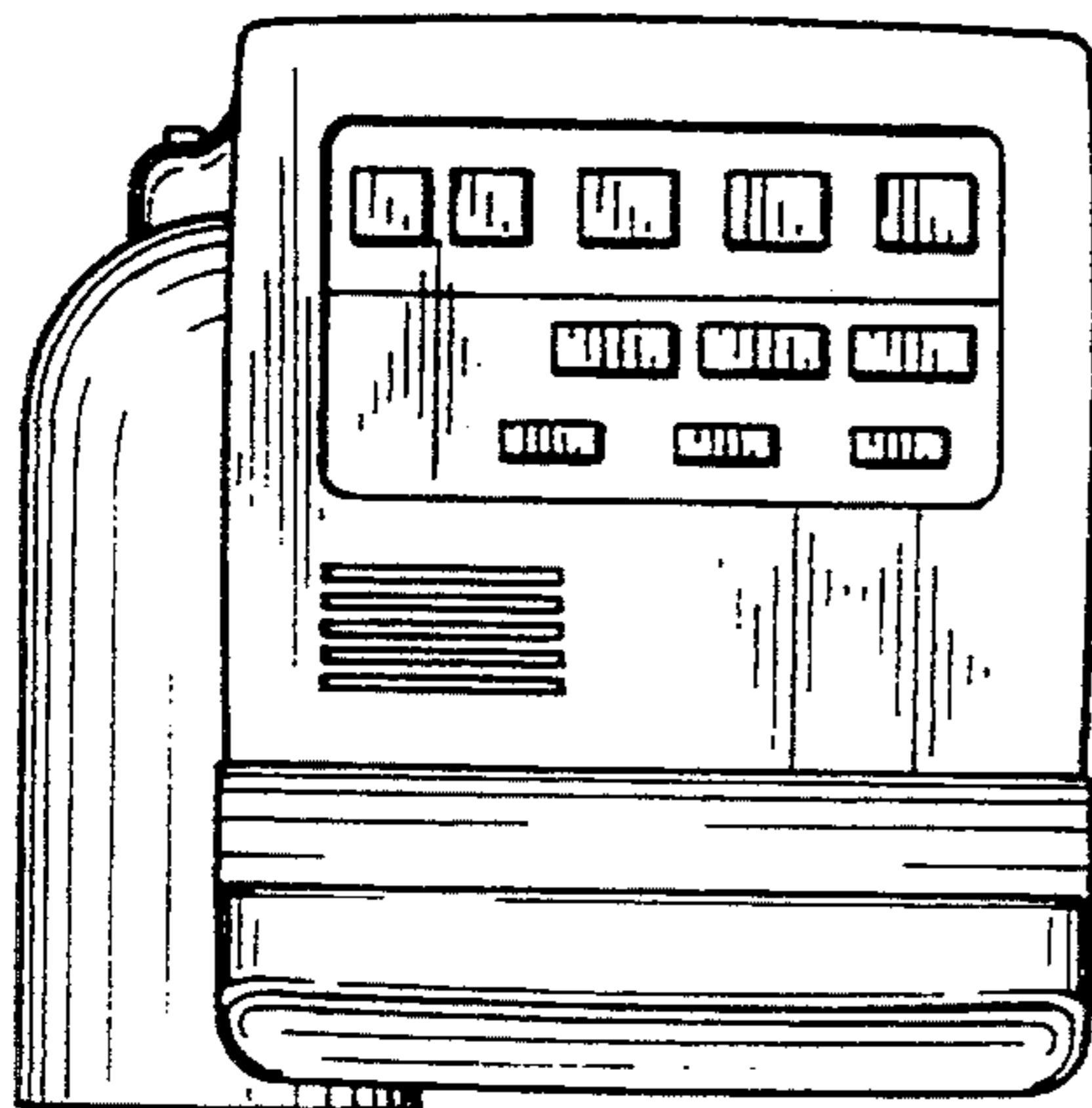


FIG. 4

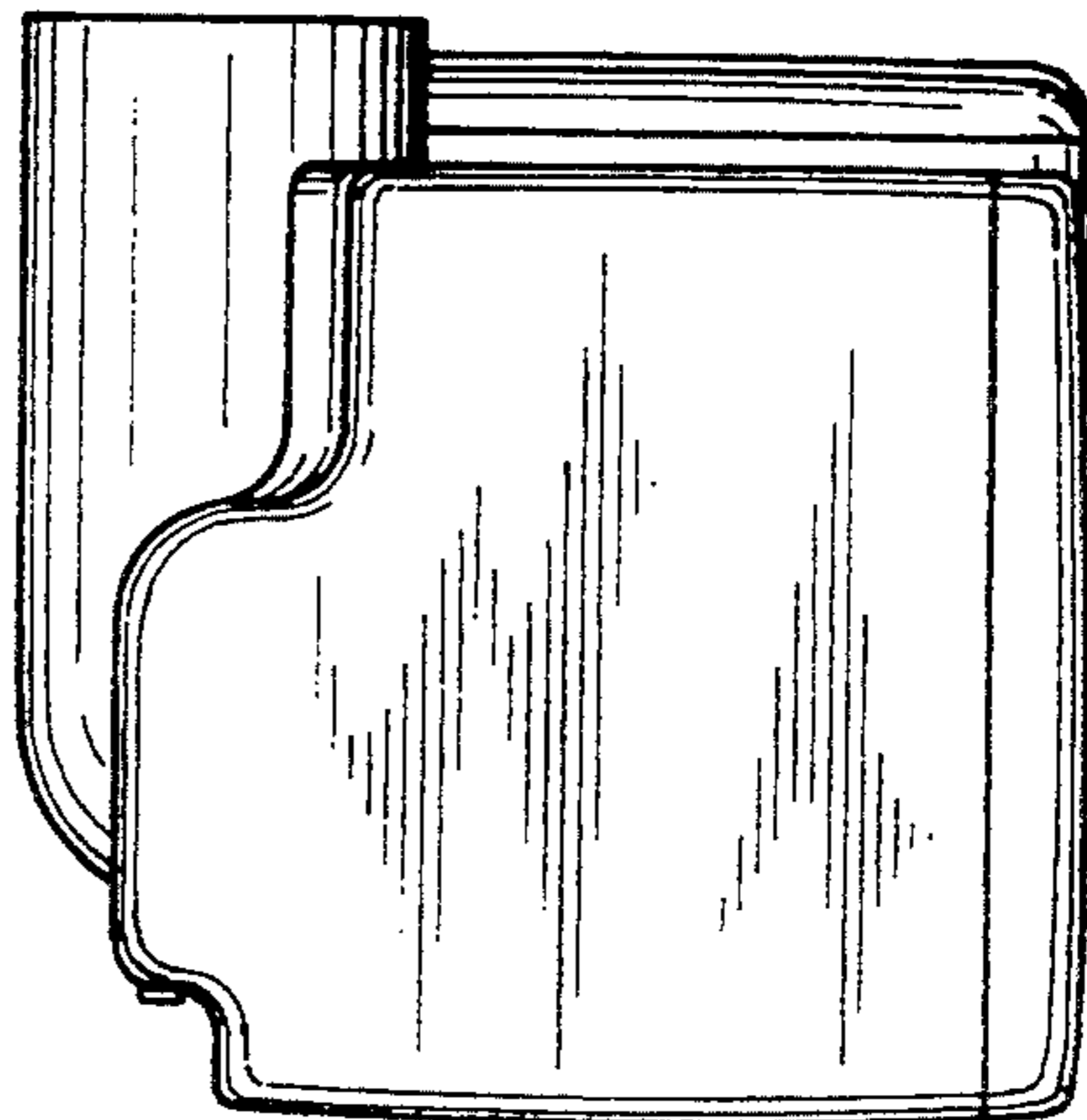


FIG. 5

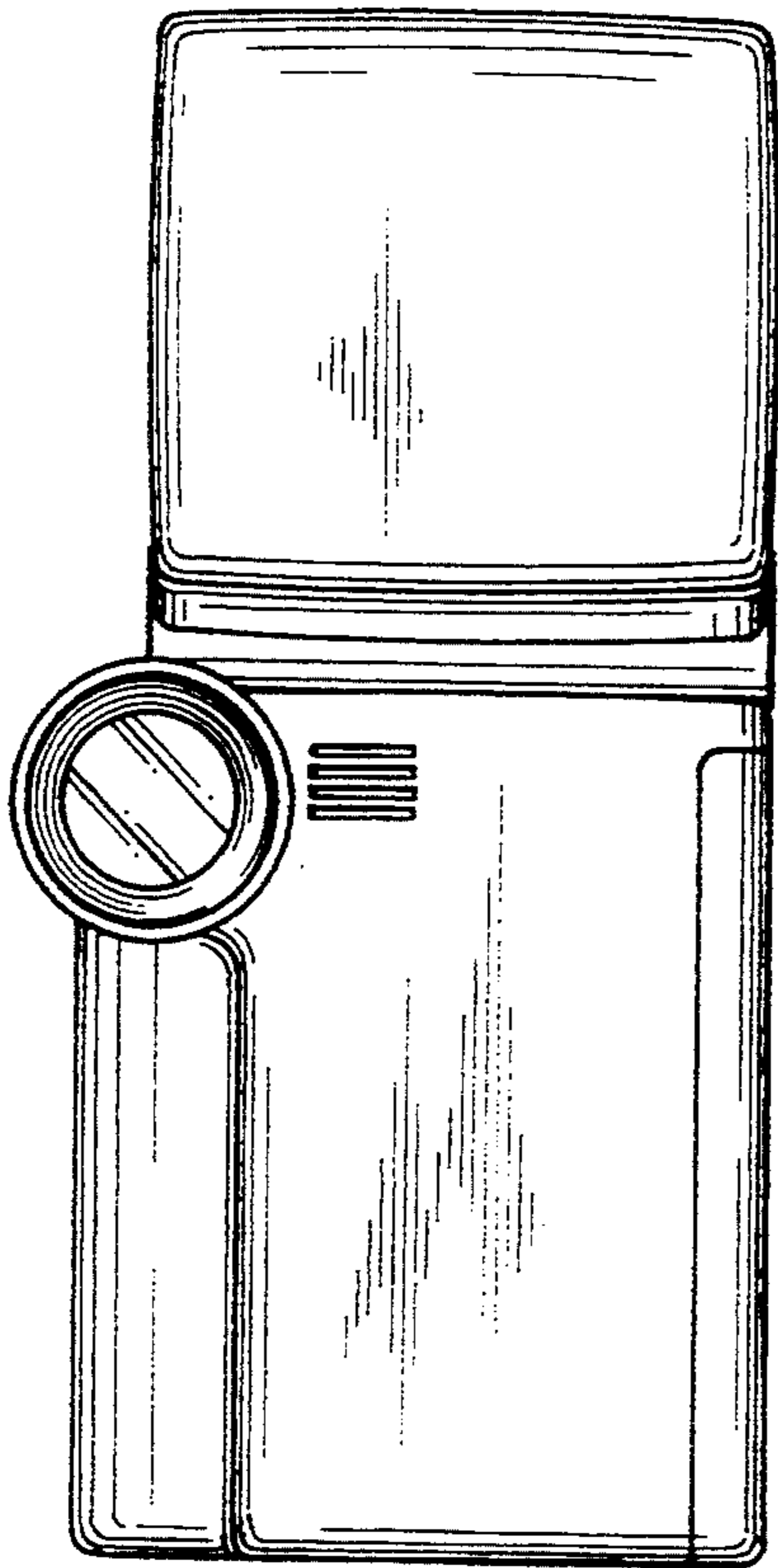


FIG. 6

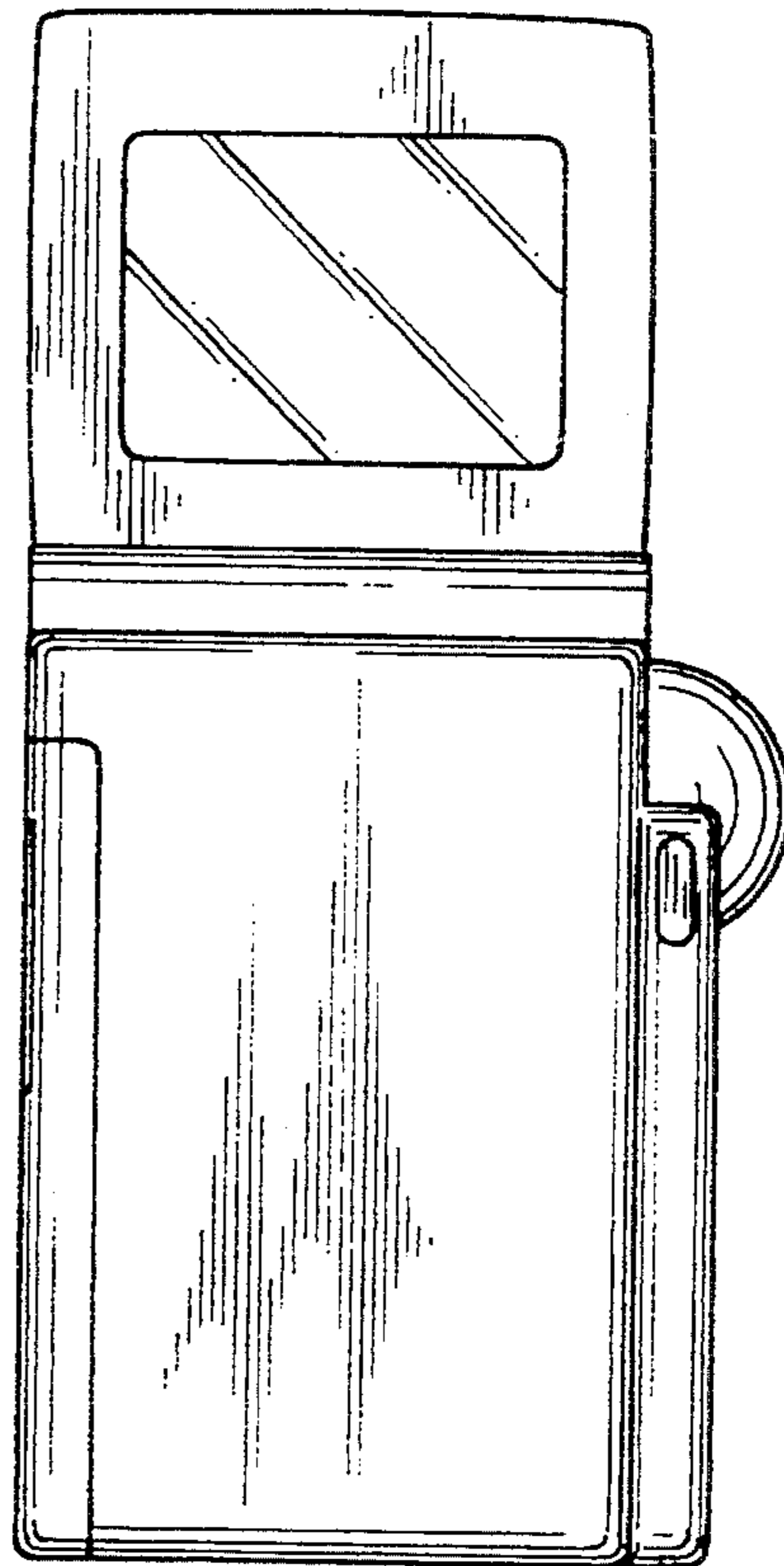


FIG. 7

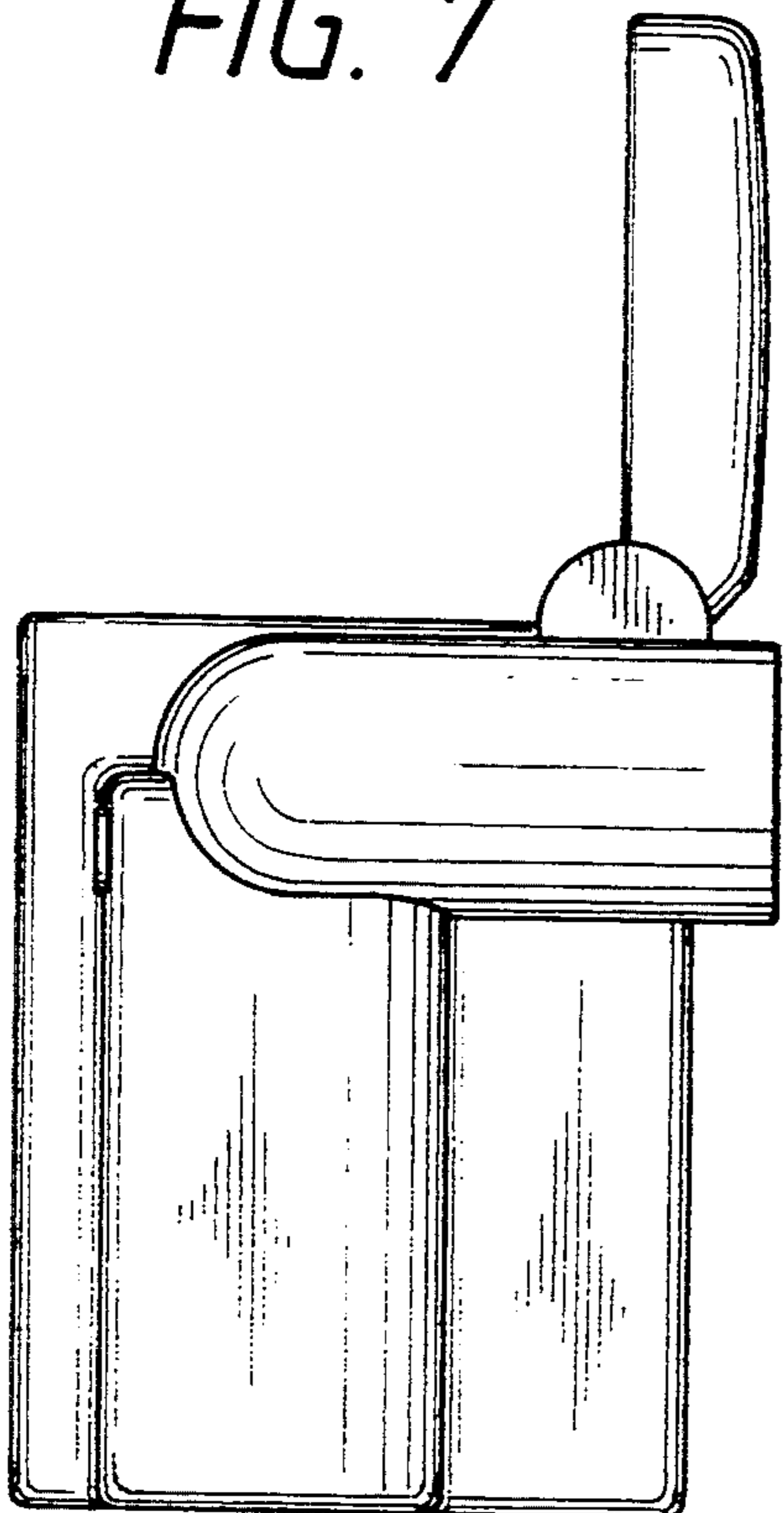


FIG. 8

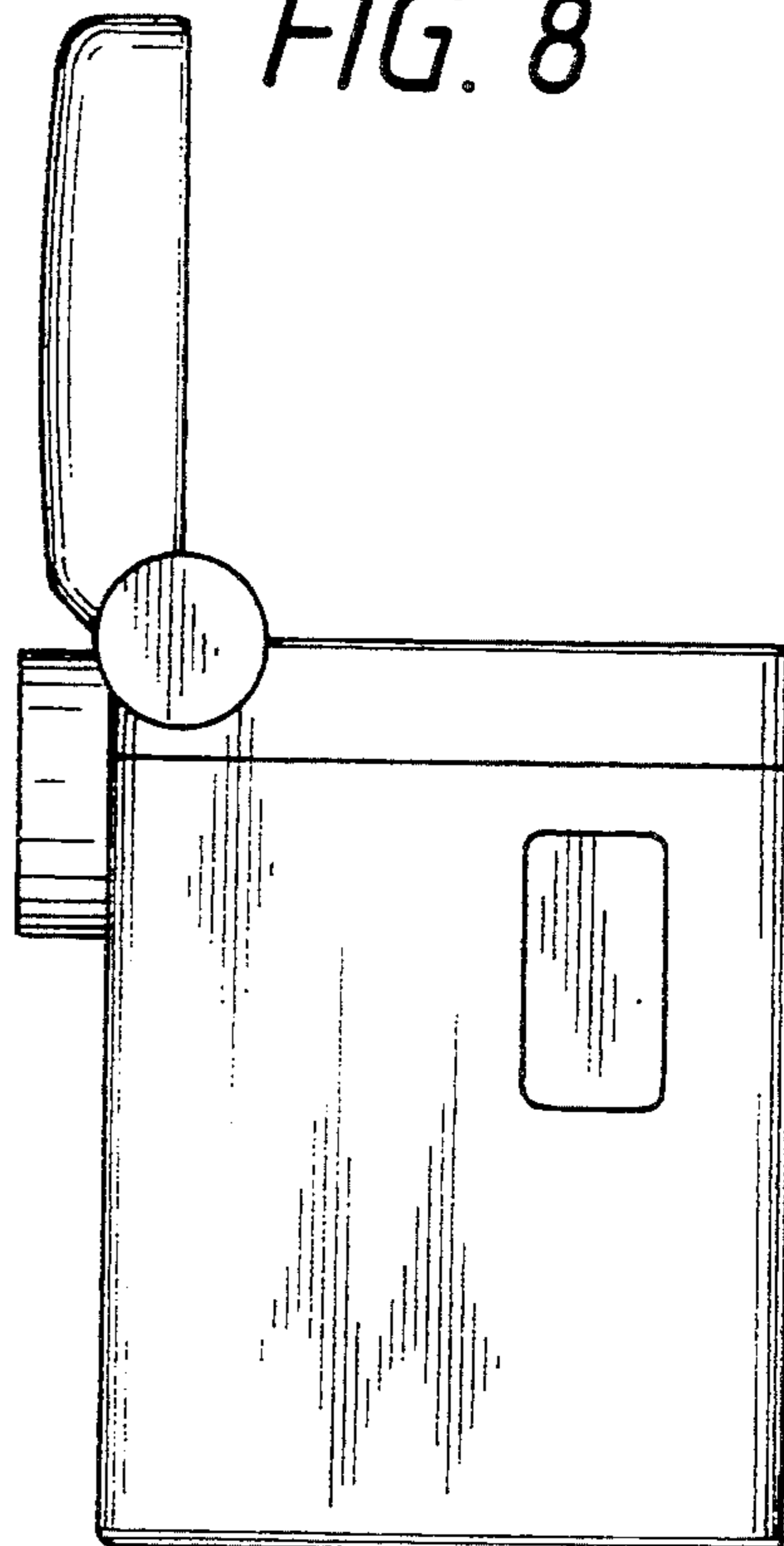


FIG. 9

