



US00D361582S

# United States Patent [19]

[11] Patent Number: **Des. 361,582**

**Sekine**

[45] Date of Patent: **\*\* Aug. 22, 1995**

[54] **VIDEO CAMERA WITH VIDEO TAPE RECORDER**

[75] Inventor: **Naofumi Sekine**, Tokyo, Japan

[73] Assignee: **Canon Kabushiki Kaisha**, Tokyo, Japan

[\*\*] Term: **14 Years**

[21] Appl. No.: **28,625**

[22] Filed: **Oct. 6, 1994**

D. 335,500	5/1993	Mori et al.	.....	D16/202
D. 336,910	6/1993	Yoshida	.....	D16/202
D. 337,340	7/1993	Tanaka	.....	D16/202
D. 337,341	7/1993	Masuda	.....	D16/202
D. 337,597	7/1993	Yoshida	.....	D16/202
D. 337,778	7/1993	Matsumura	.....	D16/202
D. 340,802	11/1993	Sekine	.....	D3/33
D. 342,084	12/1993	Ishikawa	.....	D16/202
D. 345,172	3/1994	Ishikawa	.....	D16/202
D. 350,360	9/1994	Masuda	.....	D16/202
5,294,988	3/1994	Wakabayashi et al.	.....	348/373

### Related U.S. Application Data

[63] Continuation of Ser. No. 15,816, Nov. 30, 1993, abandoned.

### [30] Foreign Application Priority Data

Jun. 2, 1993 [JP] Japan ..... 5-16532

[52] U.S. Cl. .... **D16/202**

[58] Field of Search ..... D16/200-206,  
D16/208; 348/373-376; 358/906; 354/82, 288;  
352/34, 242, 243

### [56] References Cited

#### U.S. PATENT DOCUMENTS

D. 289,645	5/1987	Kondo	.....	D14/78
D. 305,240	12/1989	Kondoh	.....	D16/202
D. 316,419	4/1991	Matsumura	.....	D16/202
D. 316,420	4/1991	Tanaka	.....	D16/202
D. 322,266	12/1991	Ichiyoshi	.....	D16/202
D. 322,267	12/1991	Matsumura	.....	D16/202
D. 322,448	12/1991	Kondo	.....	D16/202
D. 327,698	7/1992	Masuda	.....	D16/202
D. 331,767	12/1992	Yoshida	.....	D16/202
D. 331,935	12/1992	Tanaka	.....	D16/202
D. 331,936	12/1992	Ishikawa	.....	D16/202
D. 332,108	12/1992	Kondo	.....	D16/202
D. 332,958	2/1993	Urushihara et al.	.....	D16/202

### FOREIGN PATENT DOCUMENTS

3-38167 2/1991 Japan ..... H04N 5/225

### OTHER PUBLICATIONS

Video Magazine, Jan. 1993 p. 2 (Canon's UCS3).  
Video Magazine, Jan. 1993 p. 28 (Minolta's Master 8-848).

HFD, Jun. 15, 1987 p. 103 (JVC's GR-C9).

Video Magazine, Sep. 1992 p. 73 (Canon's UC1).

*Primary Examiner*—Theodore M. Shooman  
*Assistant Examiner*—Adir Aronovich  
*Attorney, Agent, or Firm*—Fitzpatrick, Cella, Harper & Scinto

### [57] CLAIM

The ornamental design for a video camera with video tape recorder, as shown and described.

### DESCRIPTION

FIG. 1 is a front elevational view of a video camera with video tape recorder showing my new design;  
FIG. 2 is a rear elevational view thereof;  
FIG. 3 is a top plan view thereof;  
FIG. 4 is a bottom plan view thereof;  
FIG. 5 is a left side elevational view thereof;  
FIG. 6 is a right side elevational view thereof; and,  
FIG. 7 is a perspective view thereof.

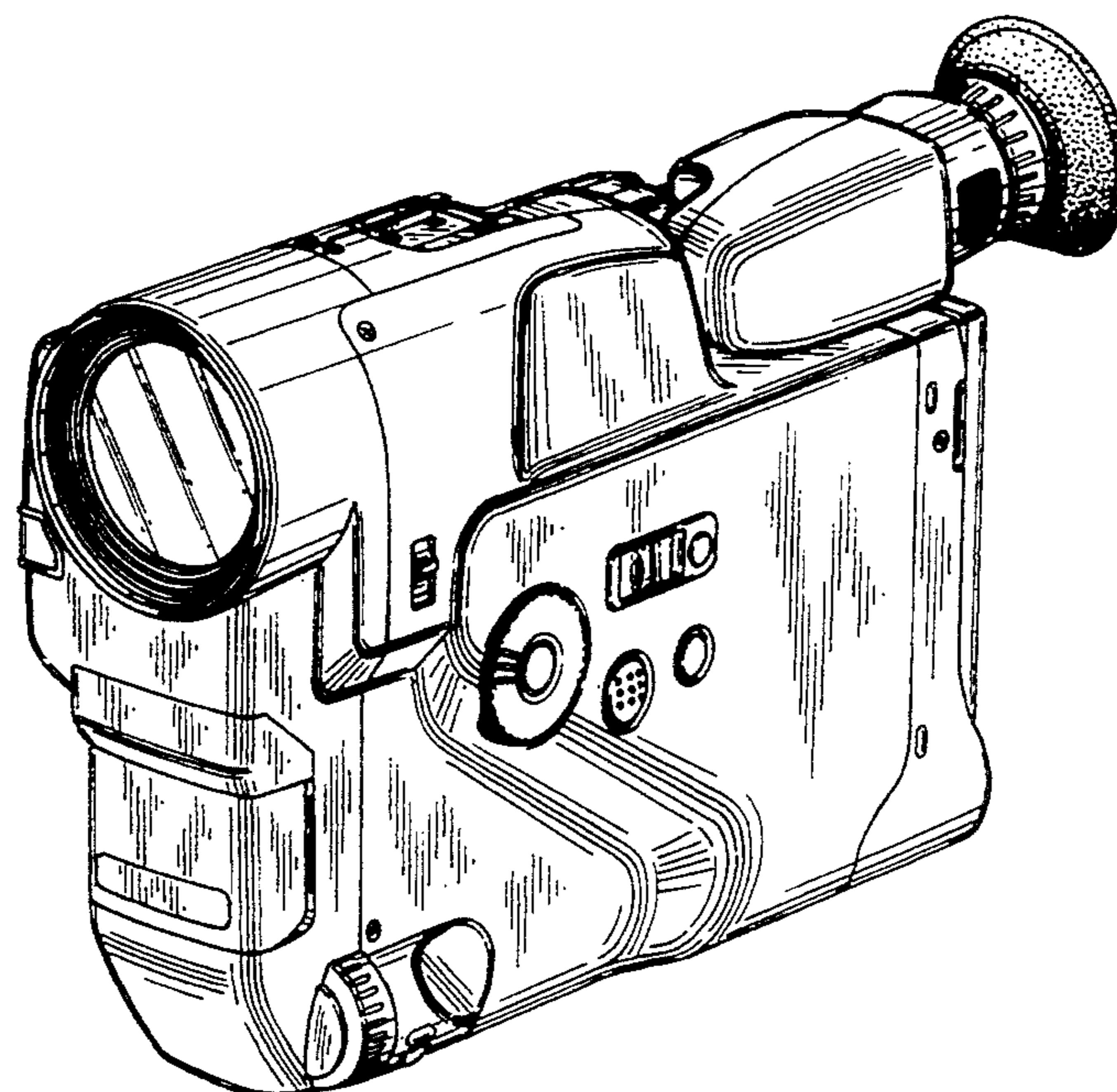


FIG. 1

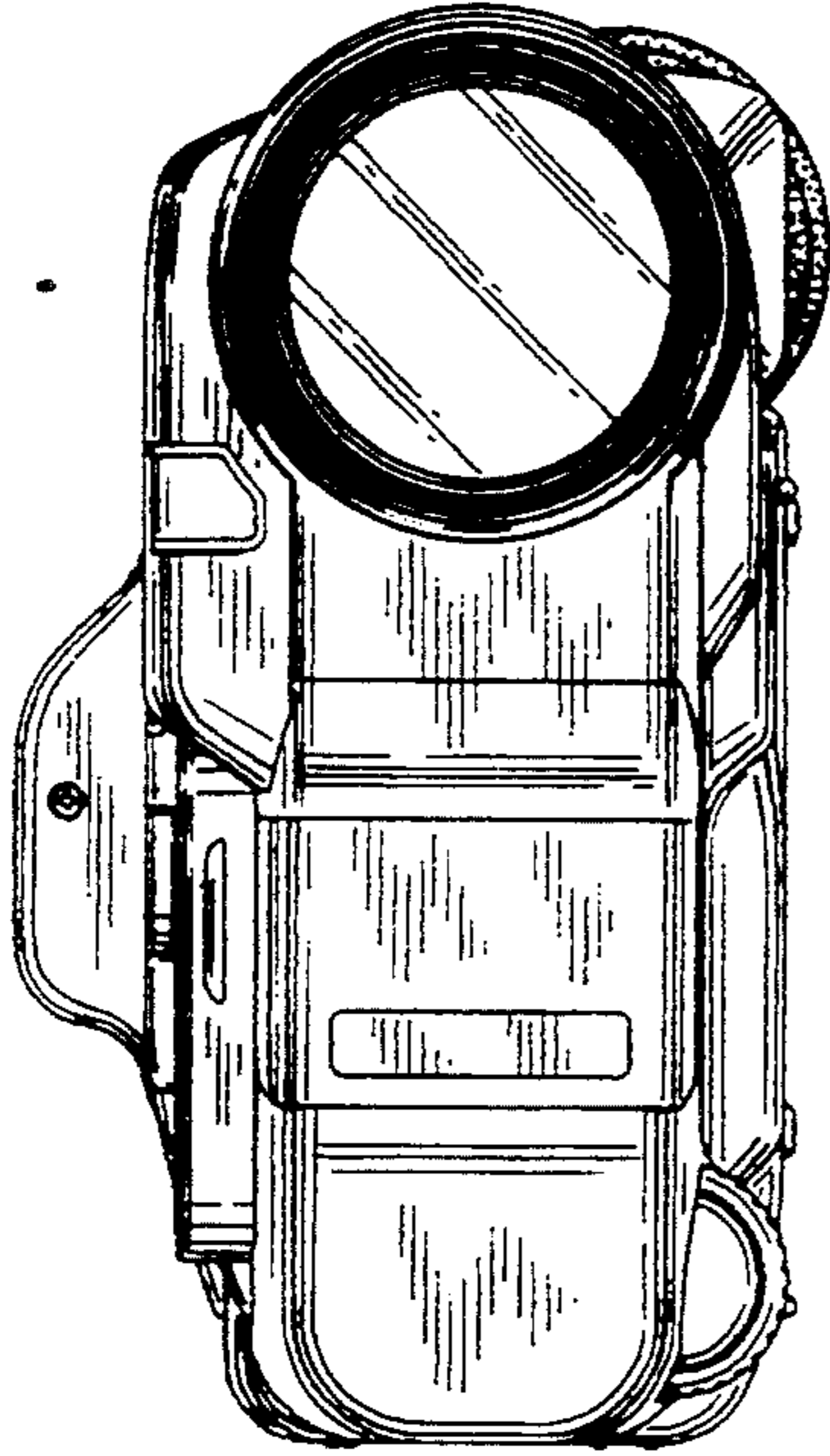


FIG. 2

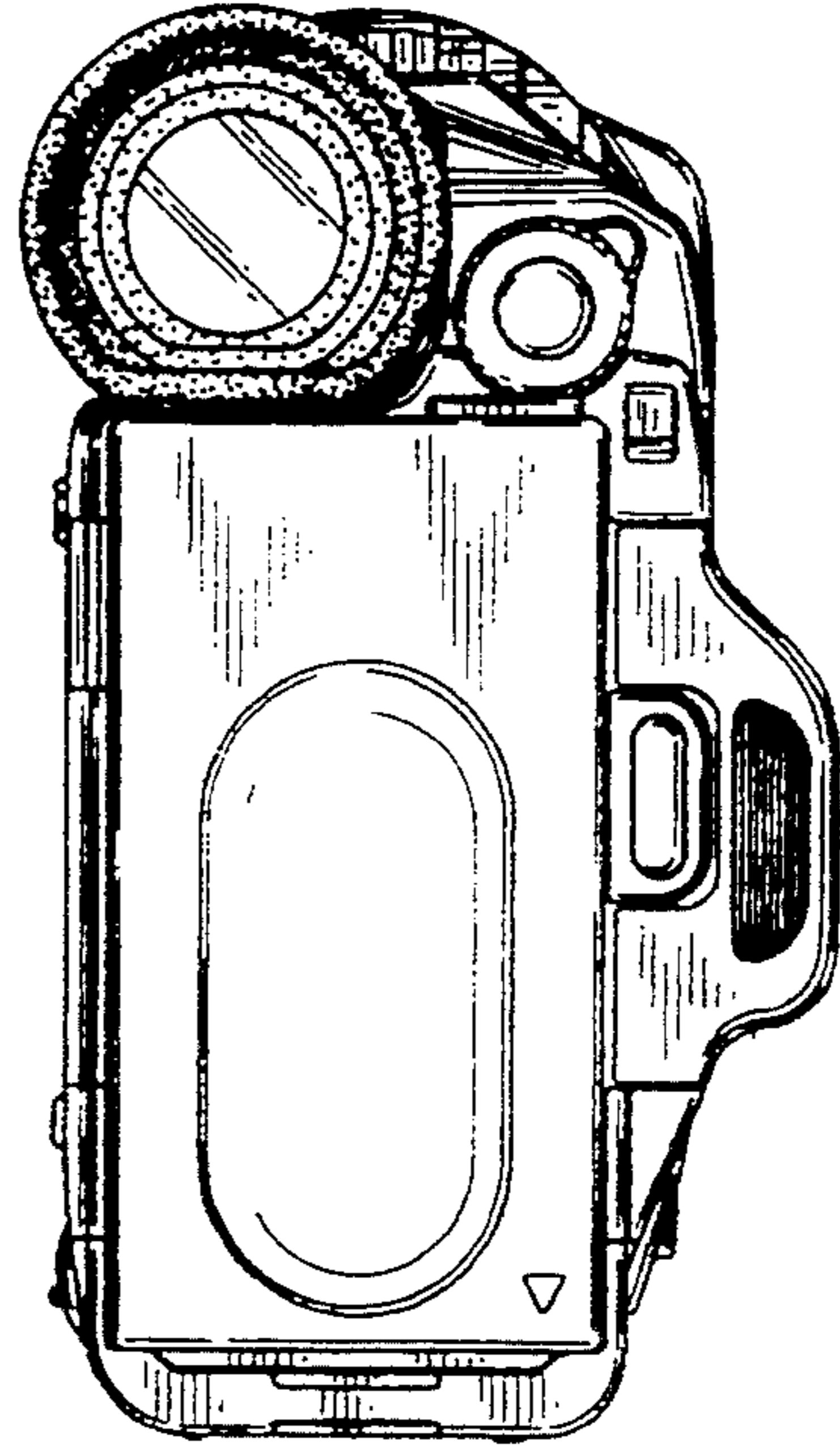


FIG. 3

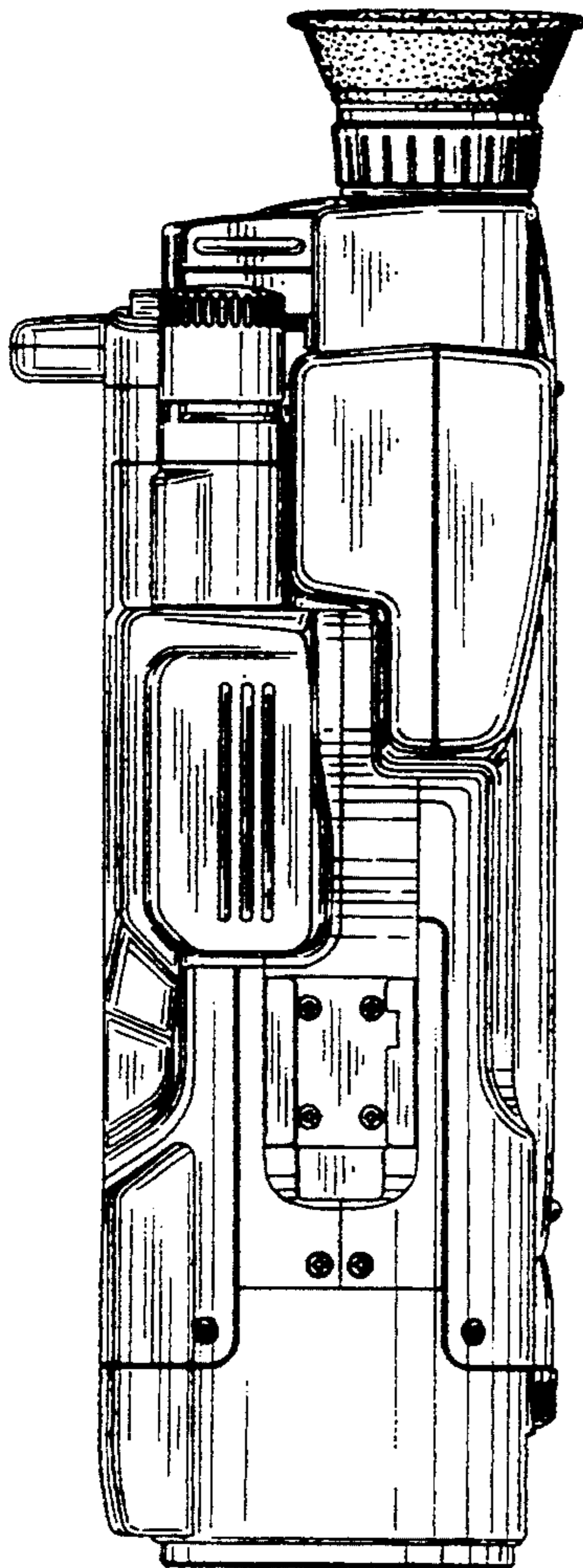


FIG. 4

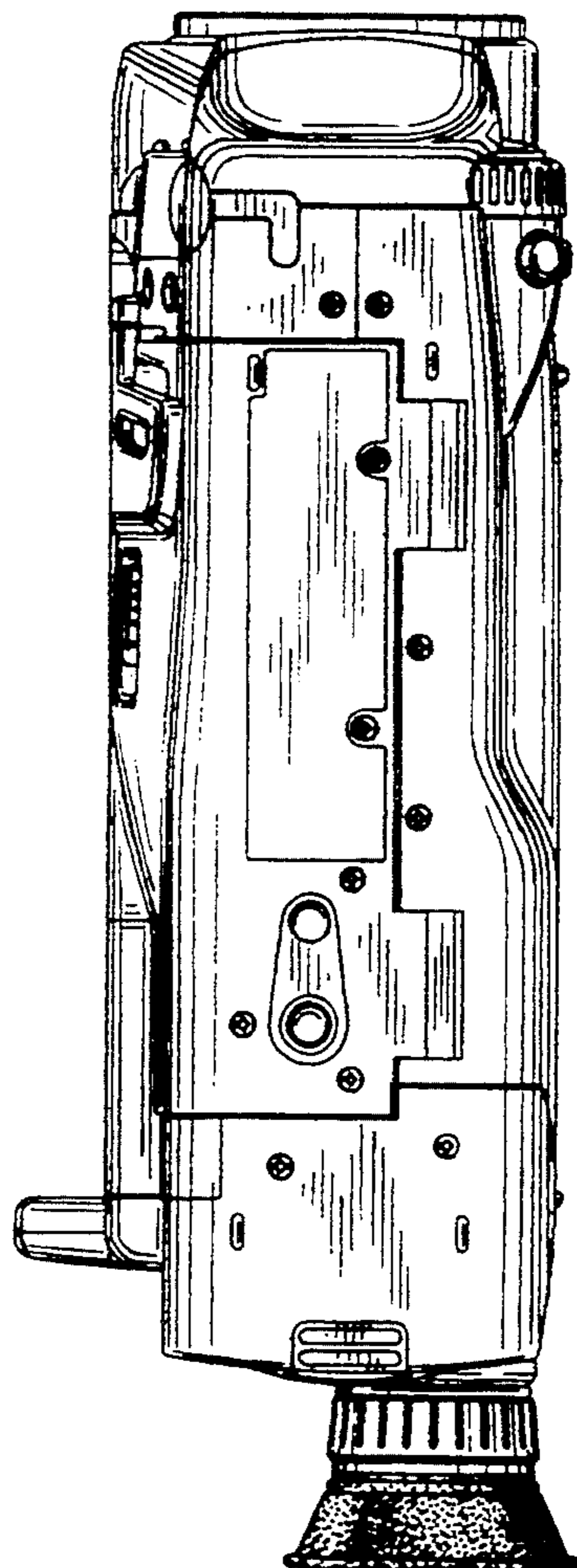


FIG. 5

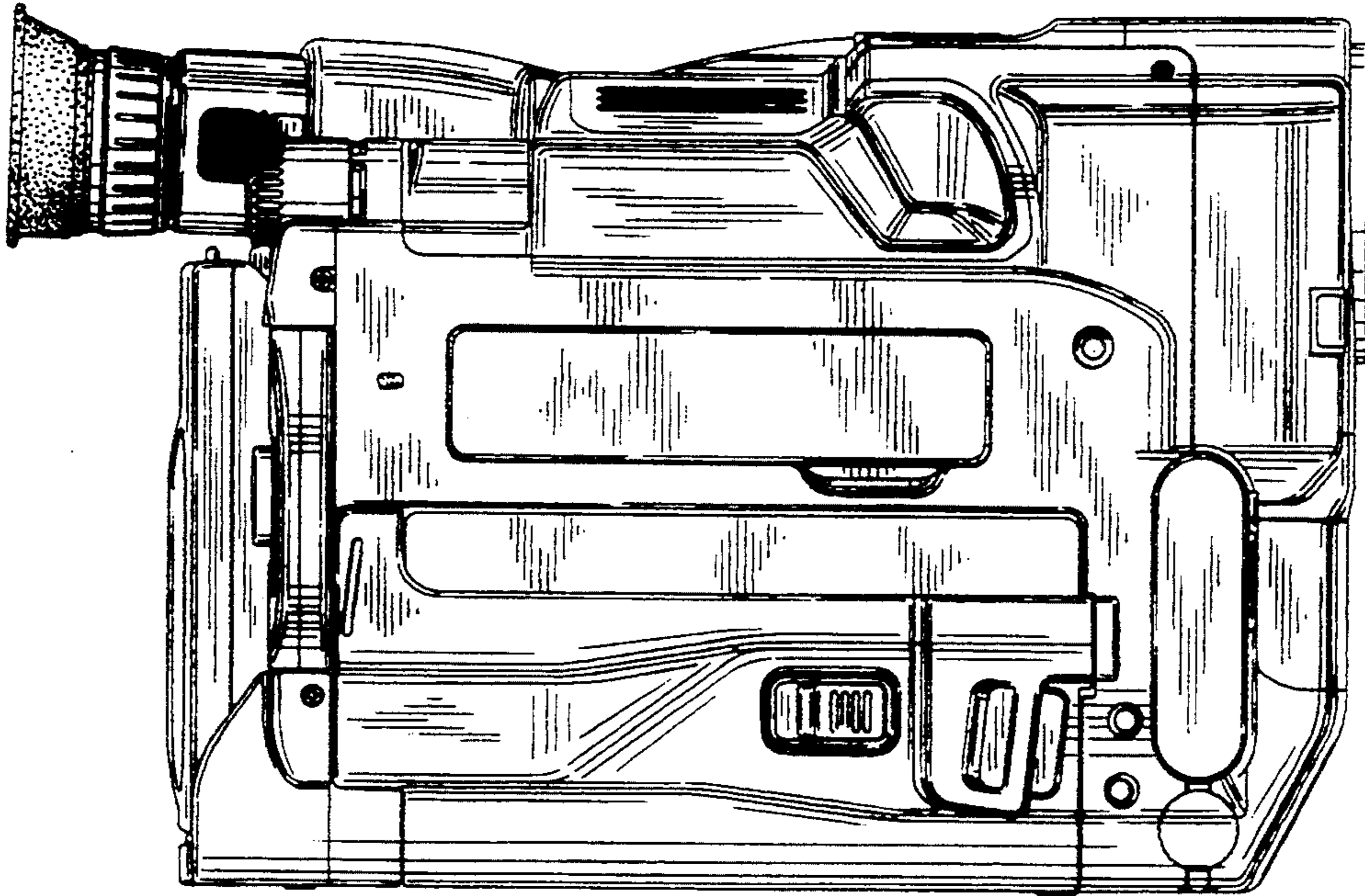


FIG. 6

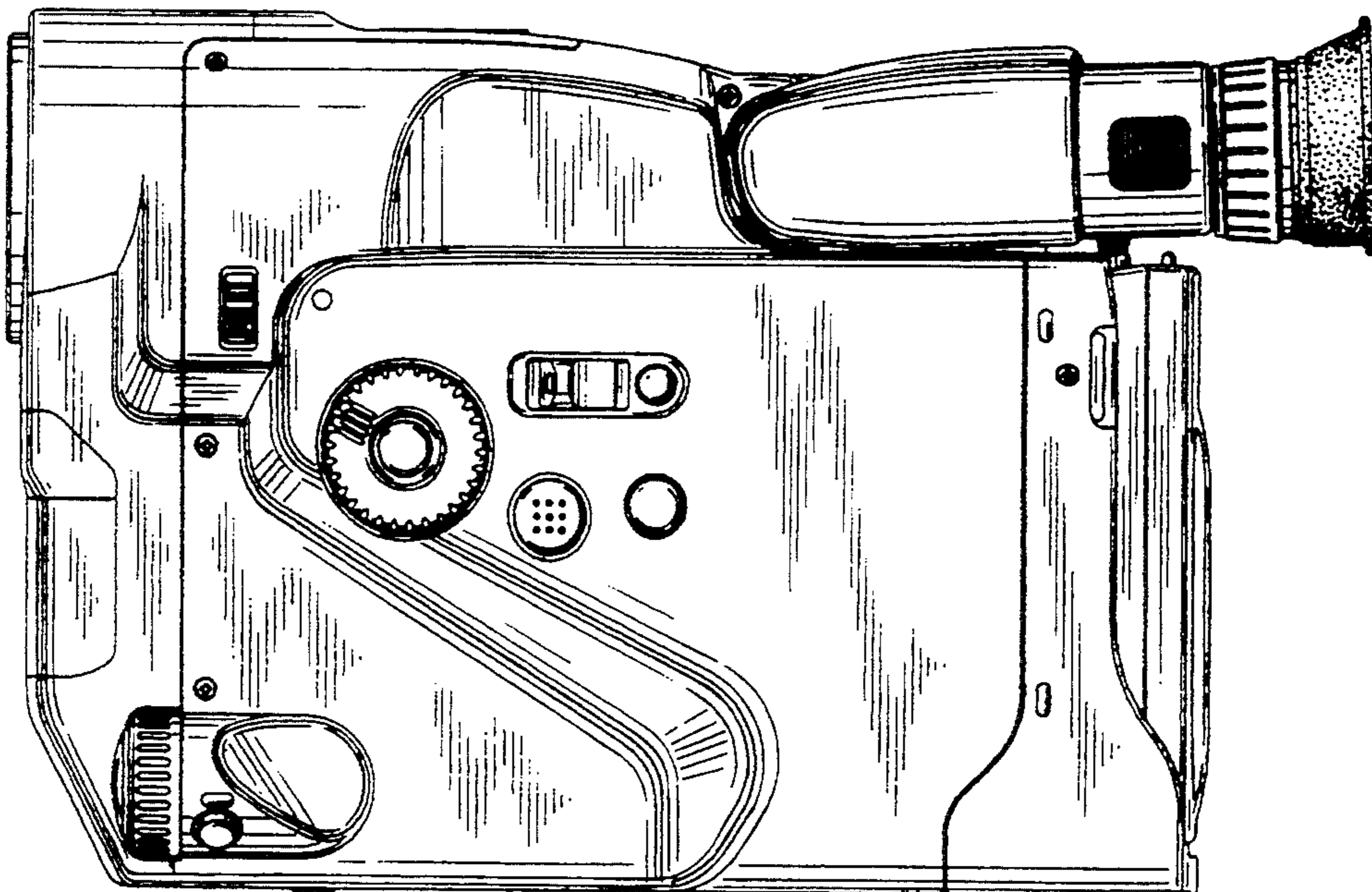


FIG. 7

