



US00D361581S

United States Patent [19]

[11] Patent Number: **Des. 361,581**

Hirz

[45] Date of Patent: **** Aug. 22, 1995**

[54] **PRESSURIZED CAN FILLING APPARATUS**

[76] Inventor: **Donald J. Hirz**, 835 Charles St., Willowick, Ohio 44095

[**] Term: **14 Years**

[21] Appl. No.: **24,982**

[22] Filed: **Jun. 24, 1994**

[52] U.S. Cl. **D15/145**

[58] Field of Search D15/145; 141/3, 20, 141/94, 97, 140, 141, 263, 266, 275, 278

[56] **References Cited**

U.S. PATENT DOCUMENTS

4,938,260	7/1990	Hirz	141/20
5,322,092	6/1994	Howeth et al.	141/3

Primary Examiner—Antoine Duval Davis

[57] **CLAIM**

The ornamental design for a pressurized can filling apparatus, as shown and described.

DESCRIPTION

FIG. 1 is a perspective elevational view showing the front and right sides of a first embodiment of my new design;
 FIG. 2 is a front elevational view of the apparatus of FIG. 1;
 FIG. 3 is a right side elevational view of the apparatus of FIG. 1;
 FIG. 4 is a top view of the apparatus of FIG. 1;
 FIG. 5 is a rear elevational view of the apparatus of FIG. 1;
 FIG. 6 is a left side elevational view of the apparatus of FIG. 1;
 FIG. 7 is a perspective elevational view showing the

front and right sides of a second embodiment of my new design;

FIG. 8 is a front elevational view of the apparatus of FIG. 7;

FIG. 9 is a right side elevational view of the apparatus of FIG. 7;

FIG. 10 is a top view of the apparatus of FIG. 7;

FIG. 11 is a rear elevational view of the apparatus of FIG. 7;

FIG. 12 is a left side elevational view of the apparatus of FIG. 7;

FIG. 13 is a perspective elevational view showing the front and right sides of a third embodiment of my new design;

FIG. 14 is a front elevational view of the apparatus of FIG. 13;

FIG. 15 is a right side elevational view of the apparatus of FIG. 13;

FIG. 16 is a top view of the apparatus of FIG. 13;

FIG. 17 is a rear elevational view of the apparatus of FIG. 13;

FIG. 18 is a left side elevational view of the apparatus of FIG. 13;

FIG. 19 is a perspective elevational view showing the front and right sides of a fourth embodiment of my new design;

FIG. 20 is a front elevational view of the apparatus of FIG. 19;

FIG. 21 is a right side elevational view of the apparatus of FIG. 19;

FIG. 22 is a top view of the apparatus of FIG. 19;

FIG. 23 is a rear elevational view of the apparatus of FIG. 19; and,

FIG. 24 is a left side elevational view of the apparatus of FIG. 19.

The broken line showing of an aerosol can is for illustrative purposes only and forms no part of the claimed design.

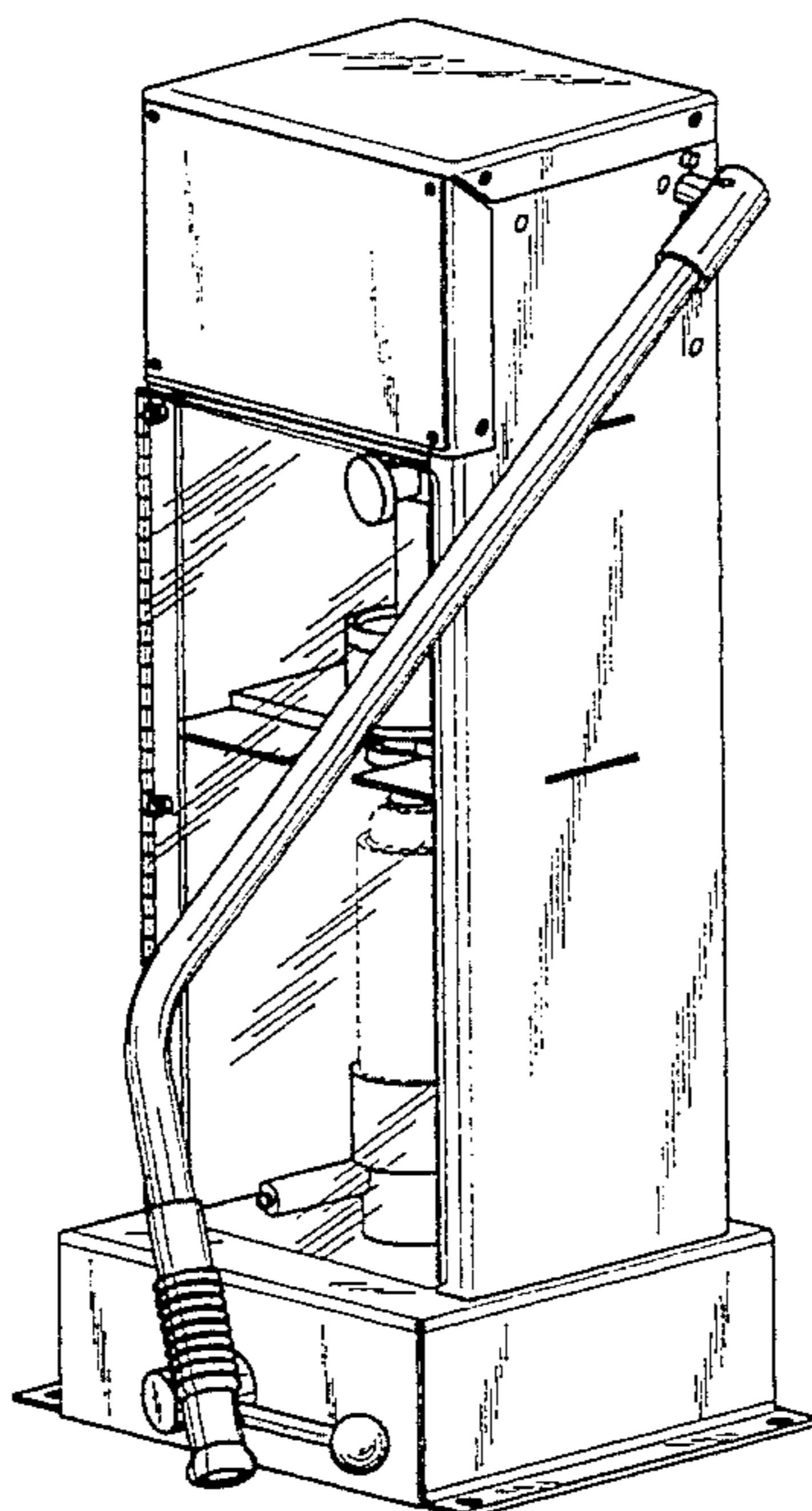
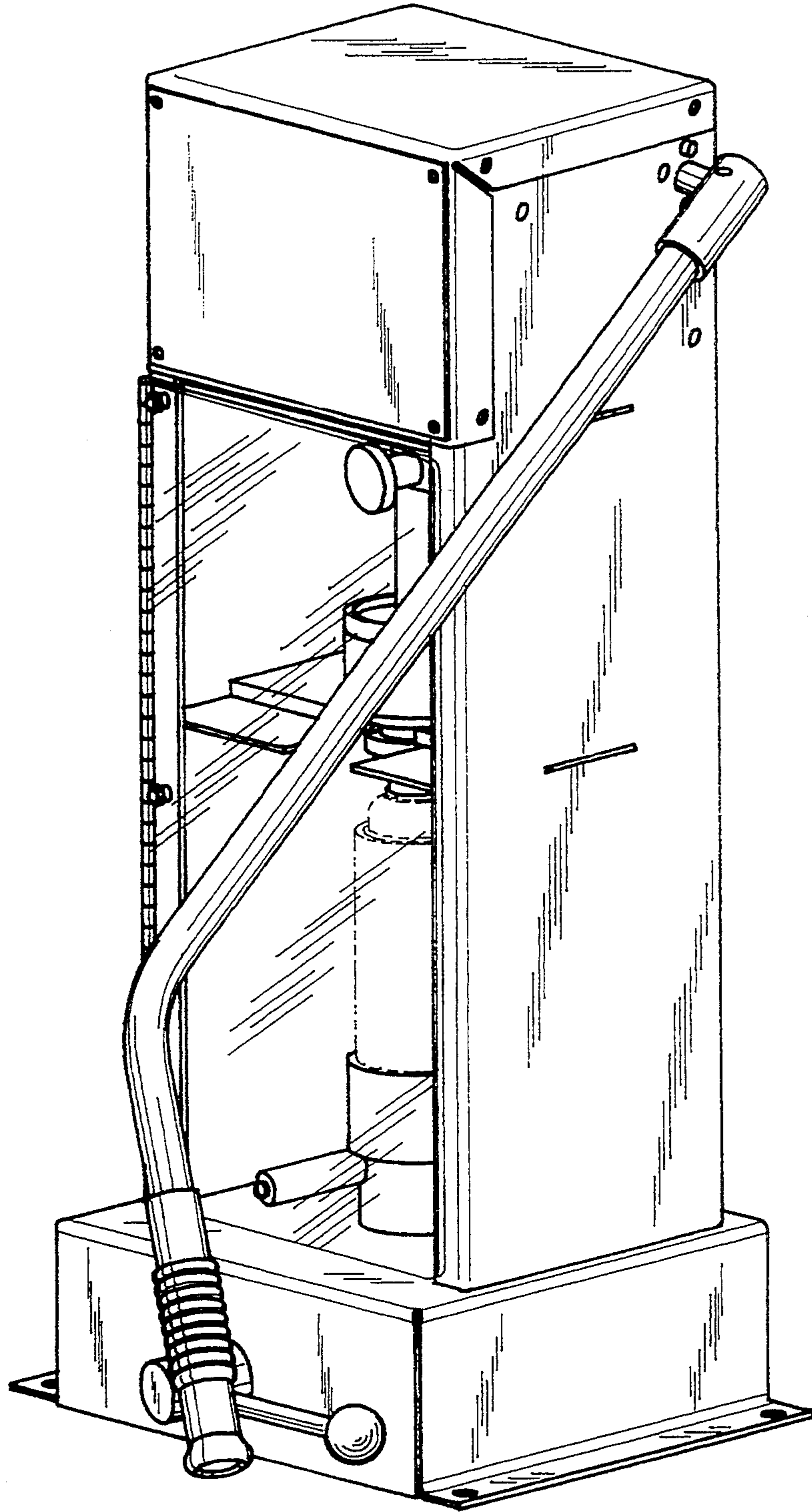


Fig. 1



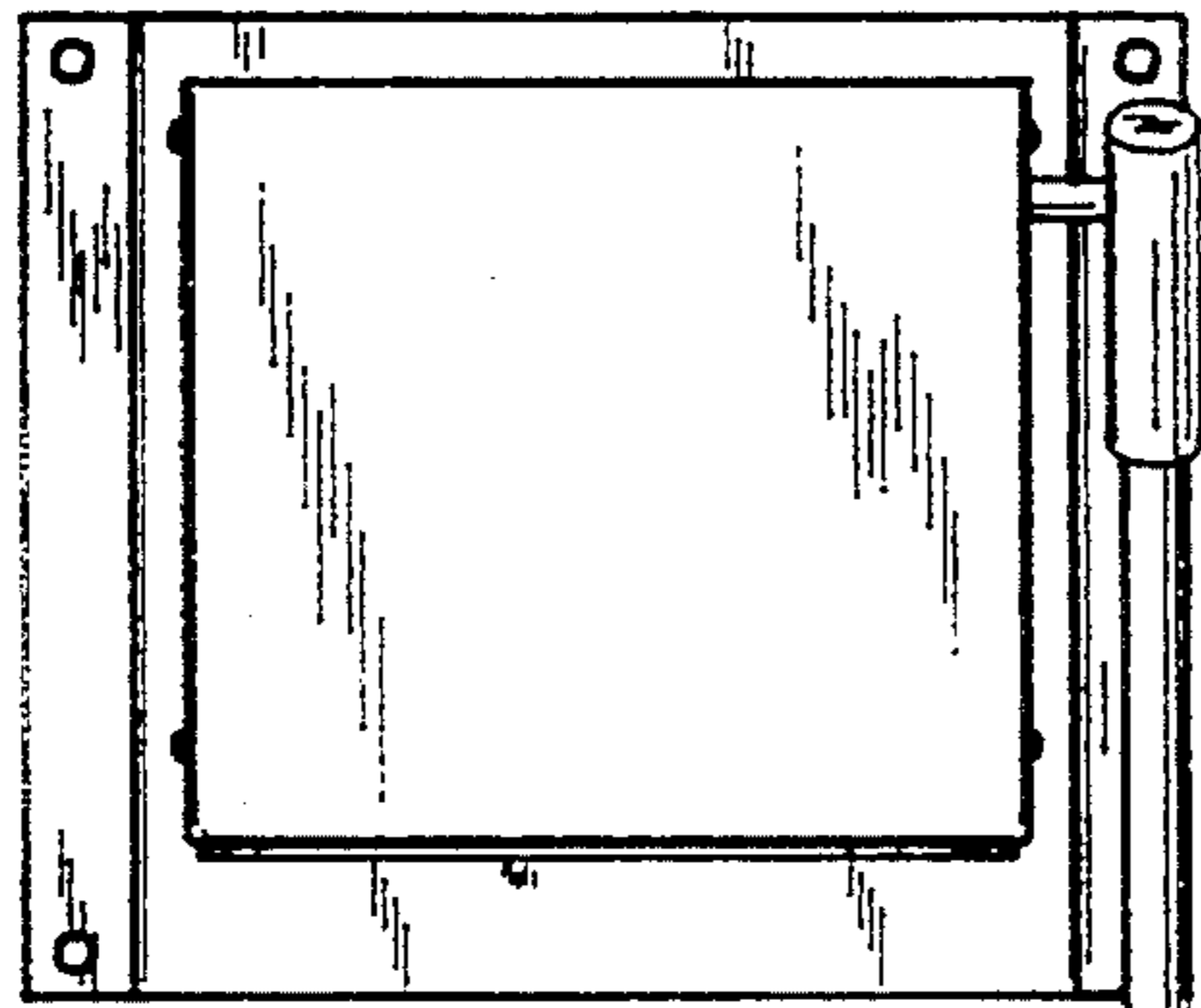


Fig. 4

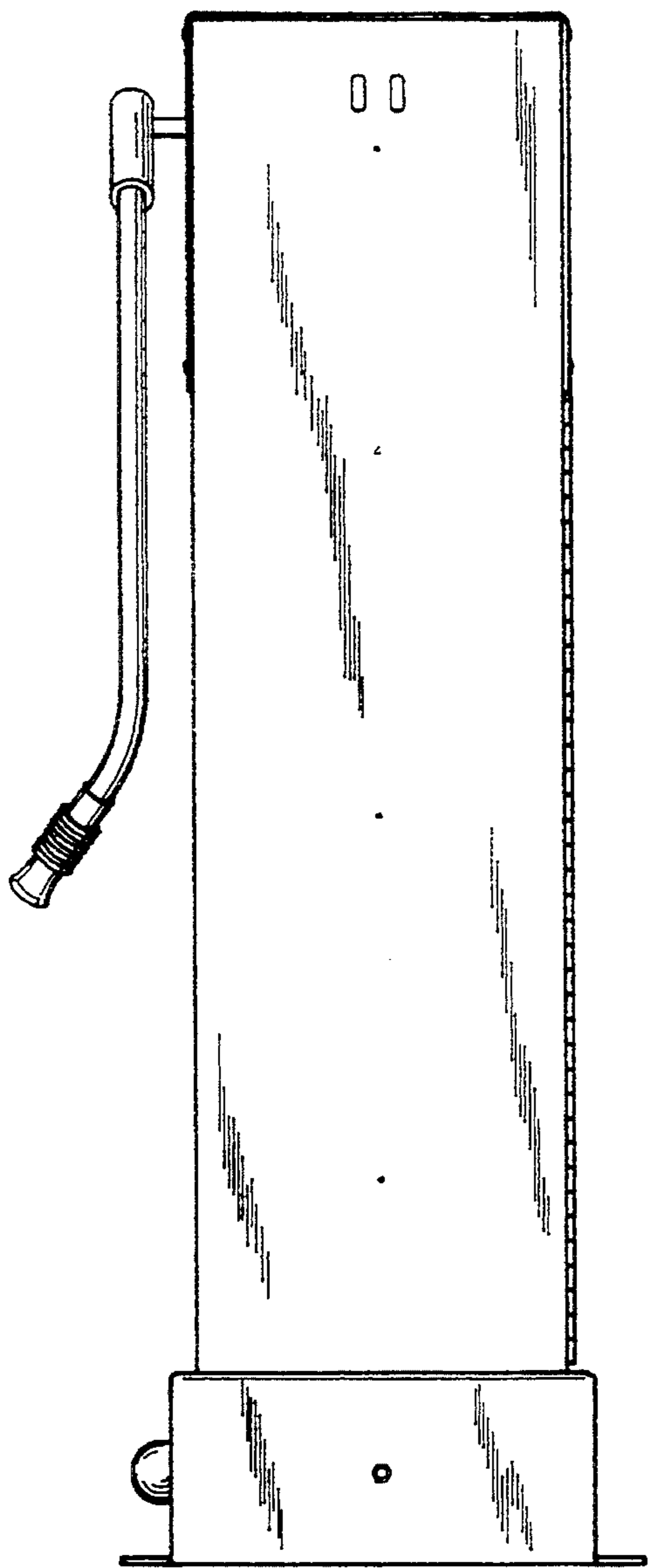


Fig. 5

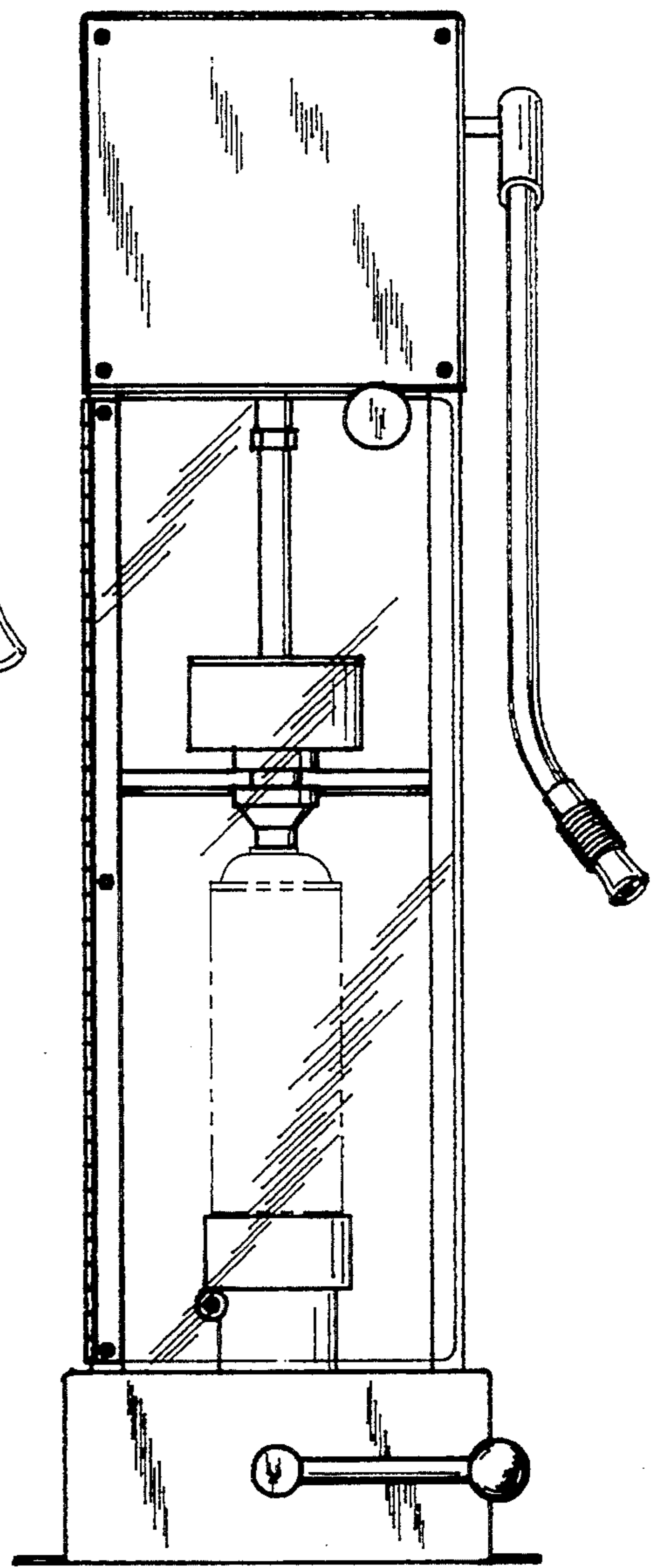


Fig. 2

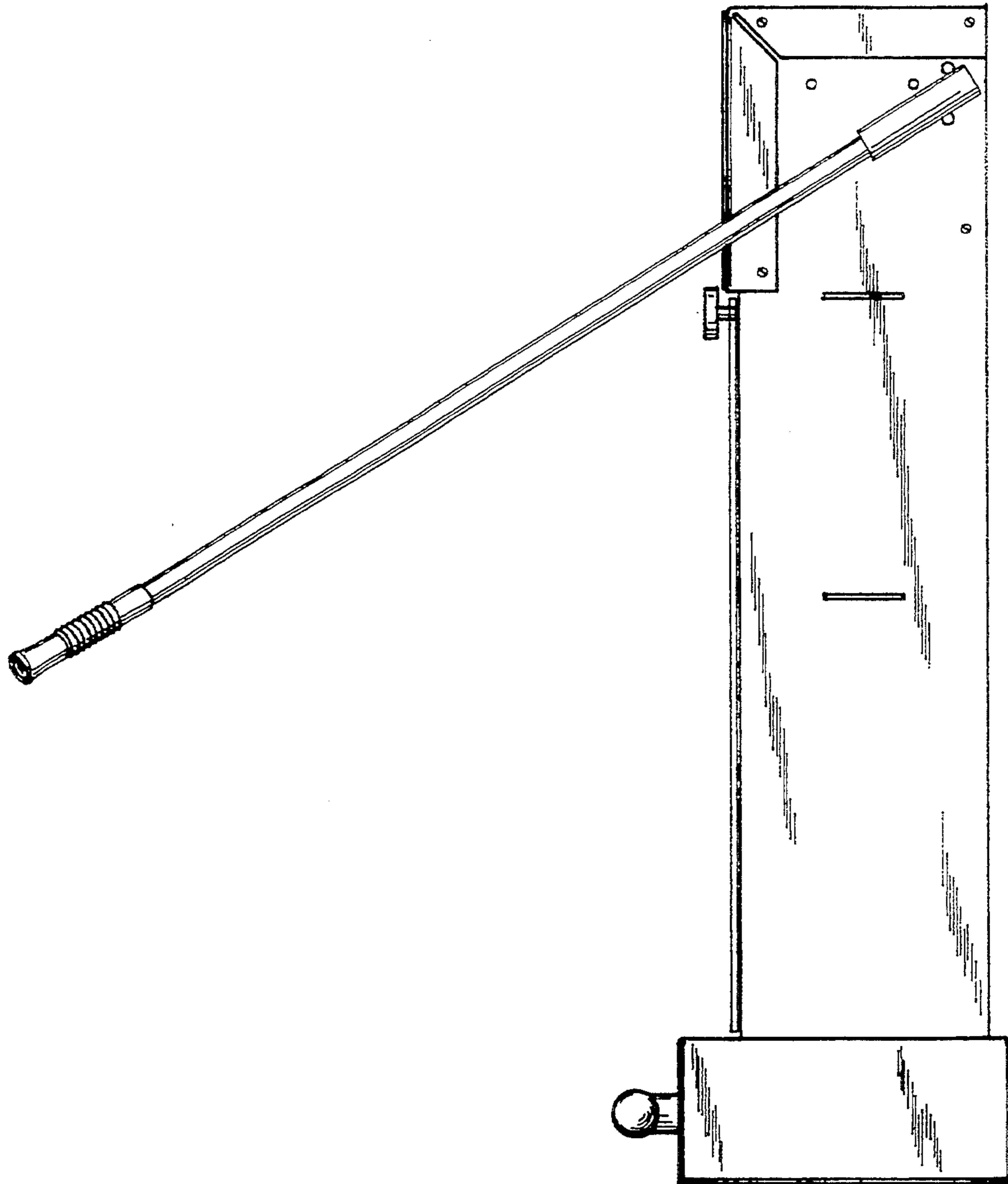


Fig. 3

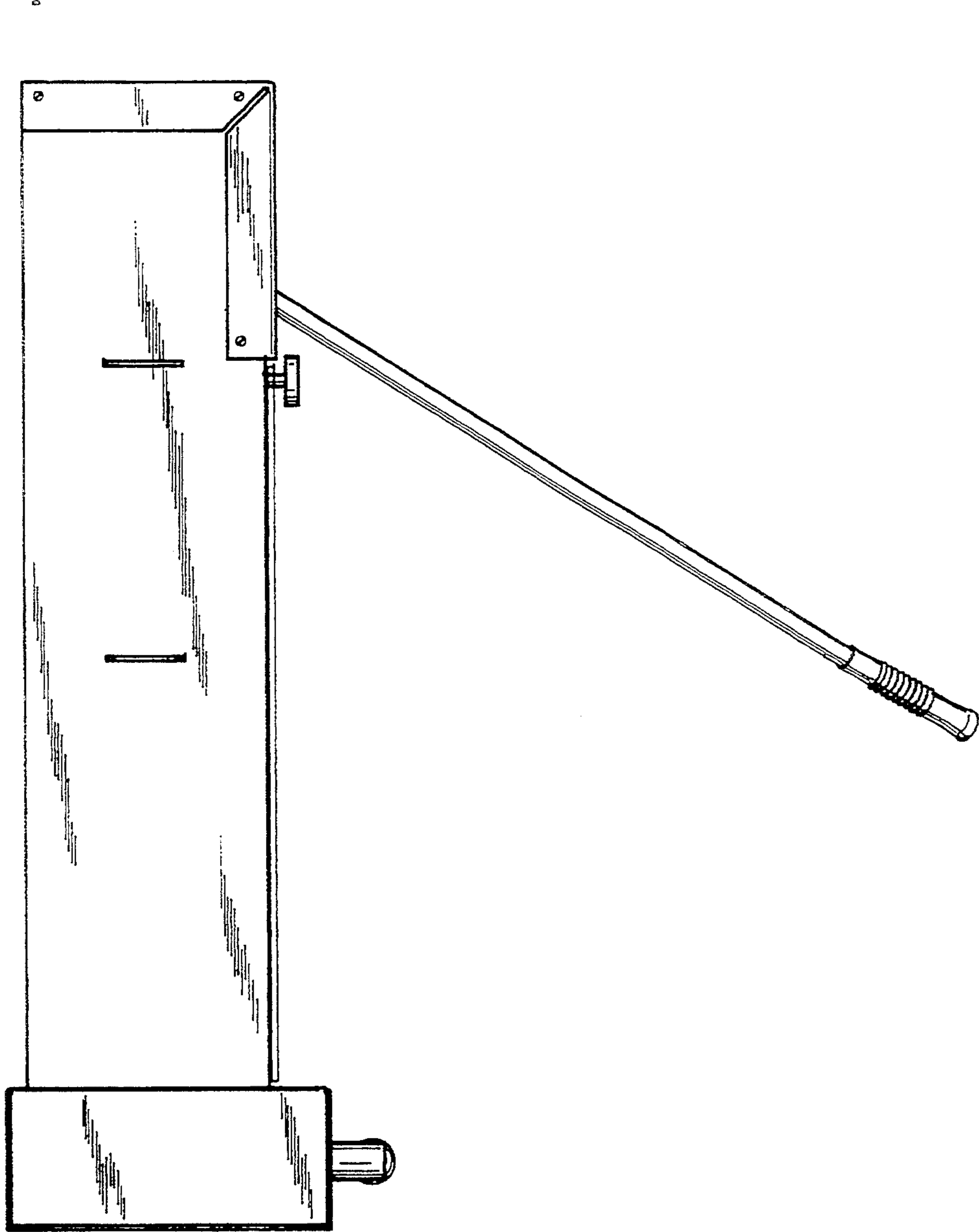
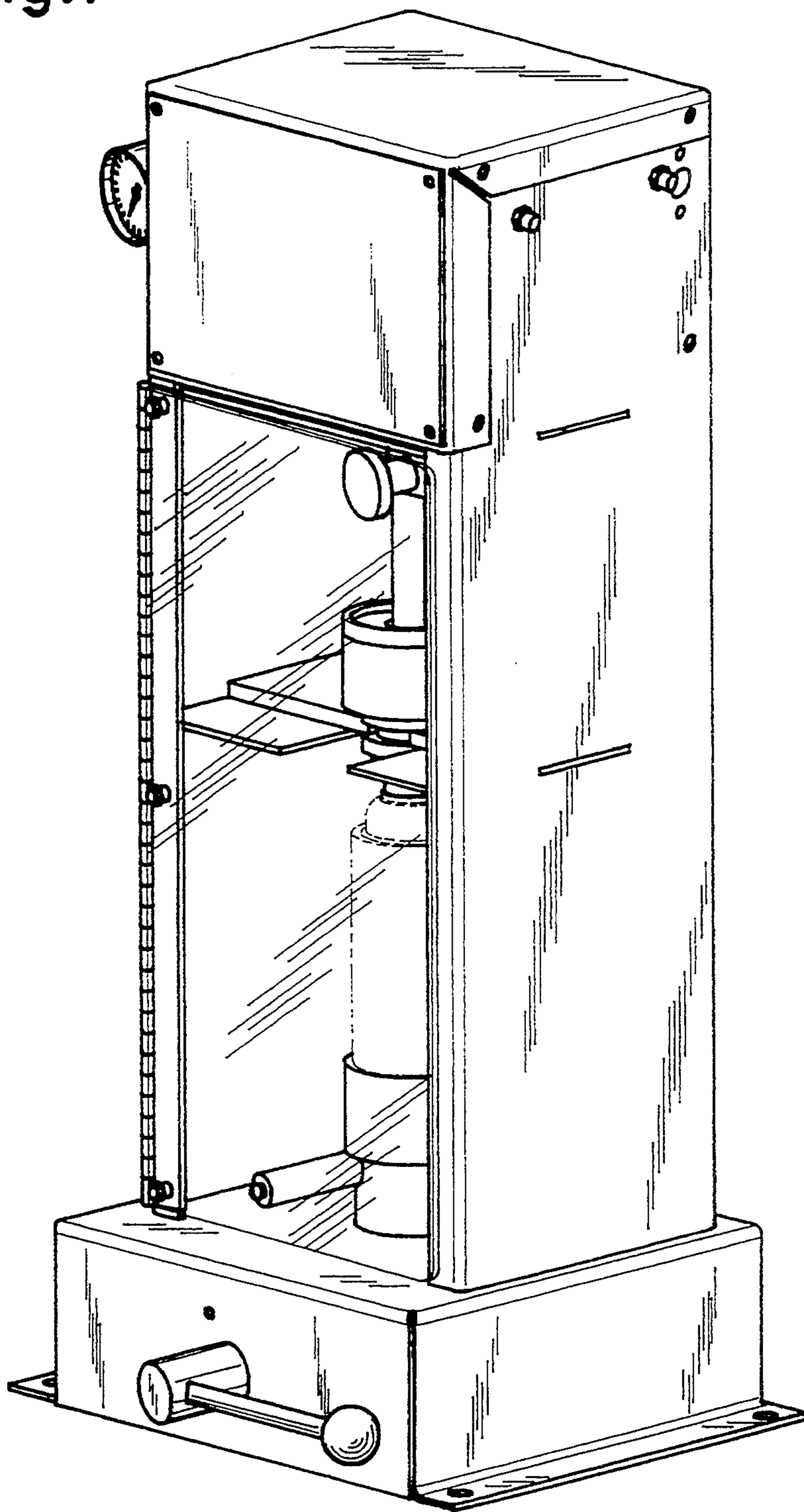


Fig. 6

Fig.7



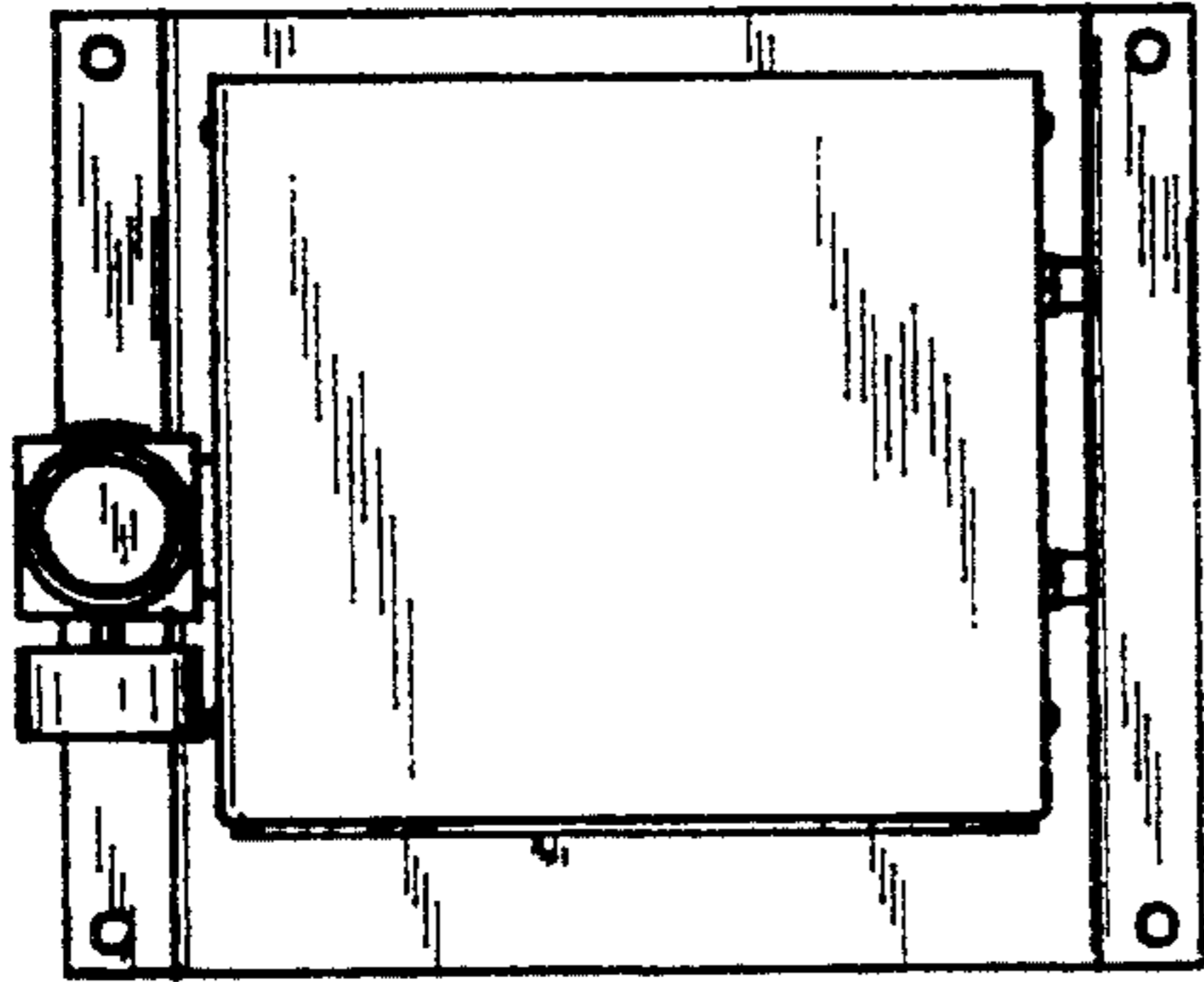


Fig. 10

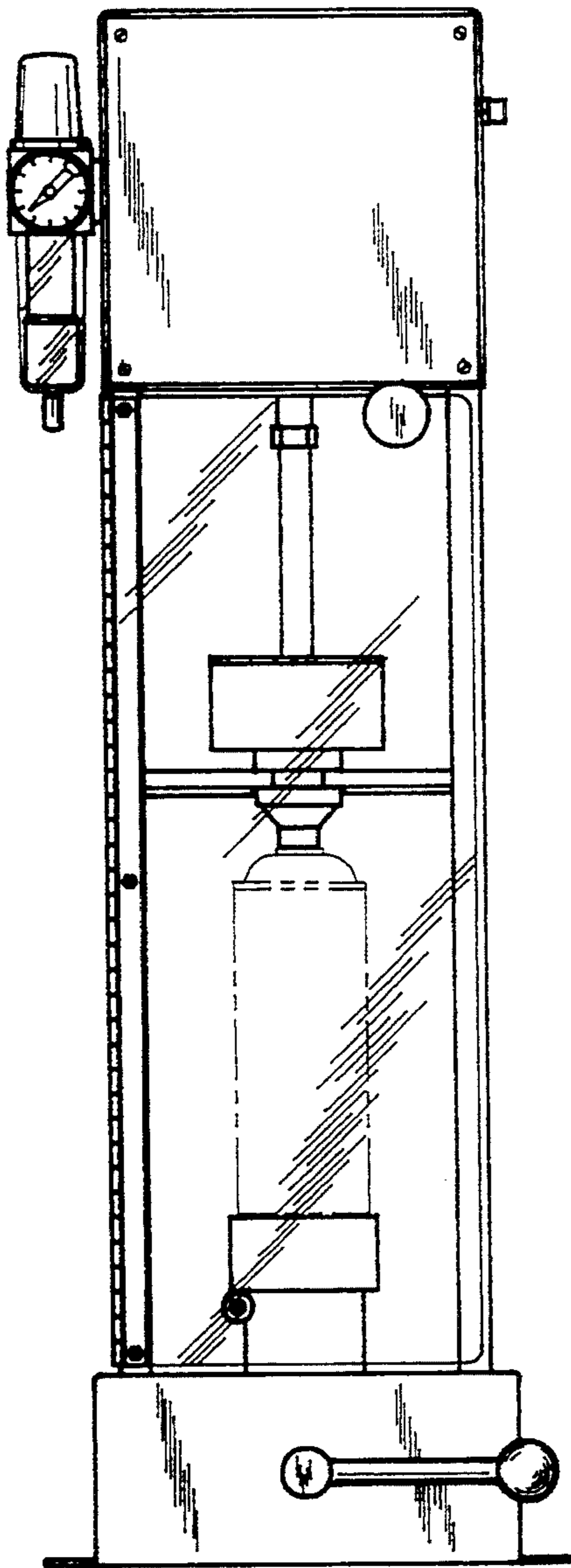


Fig. 8

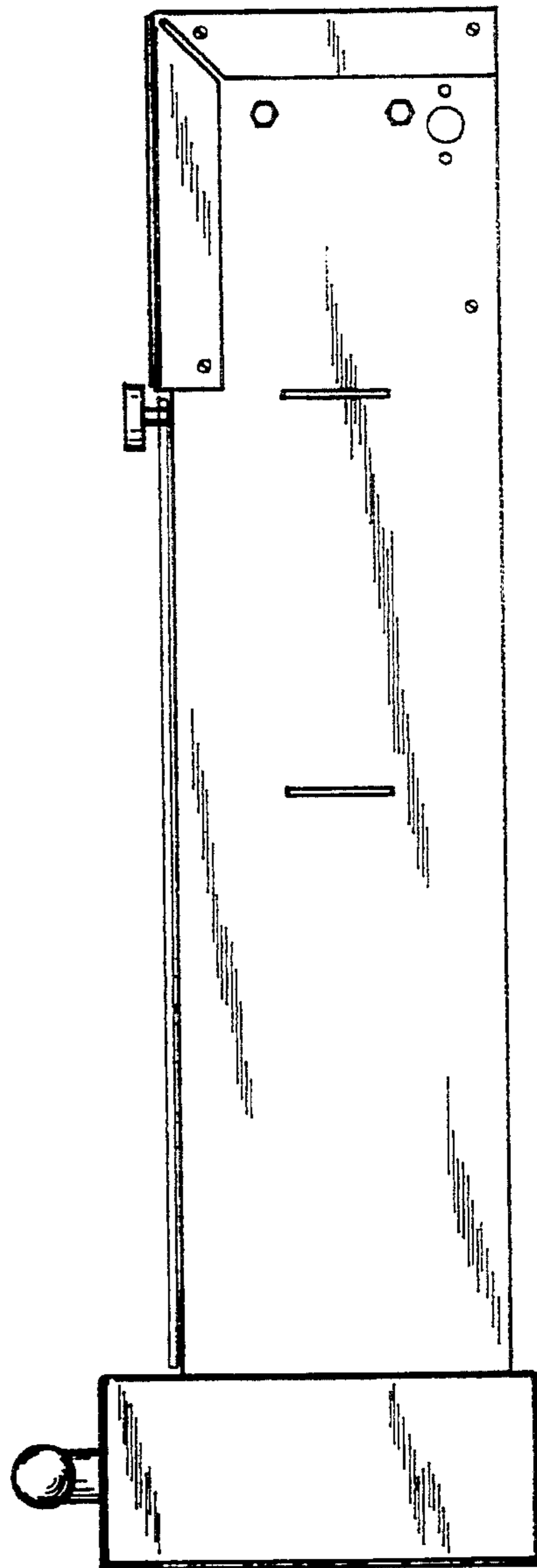


Fig. 9

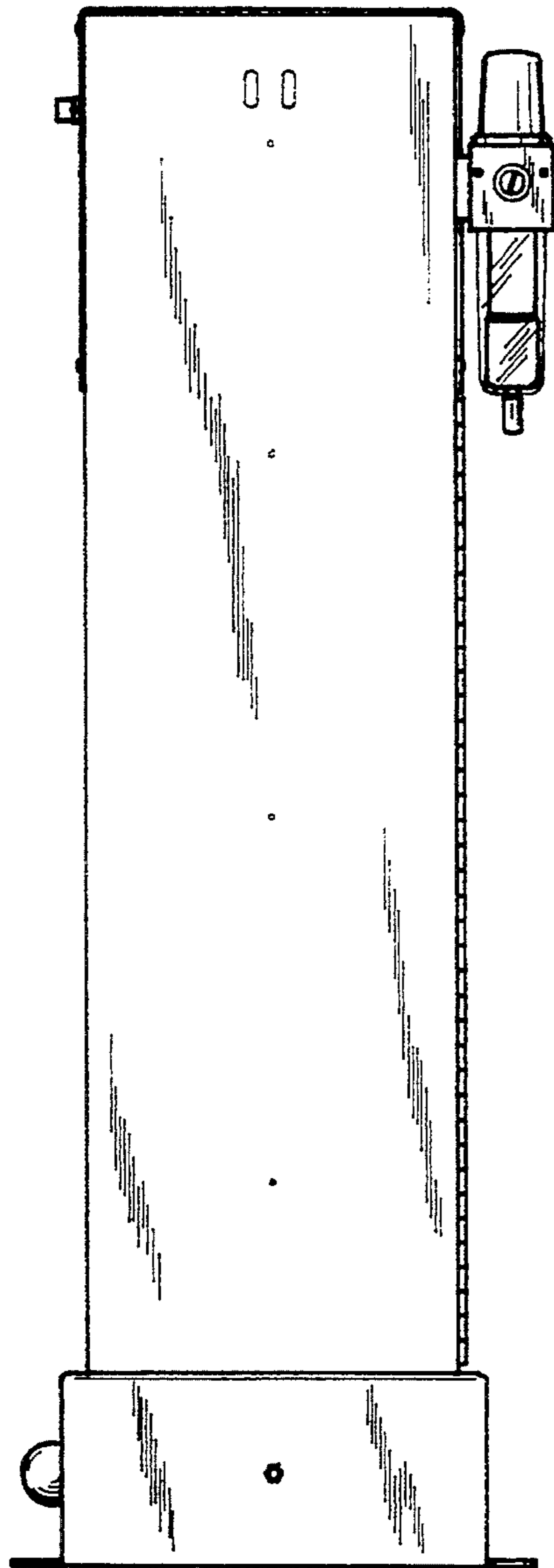


Fig. 11

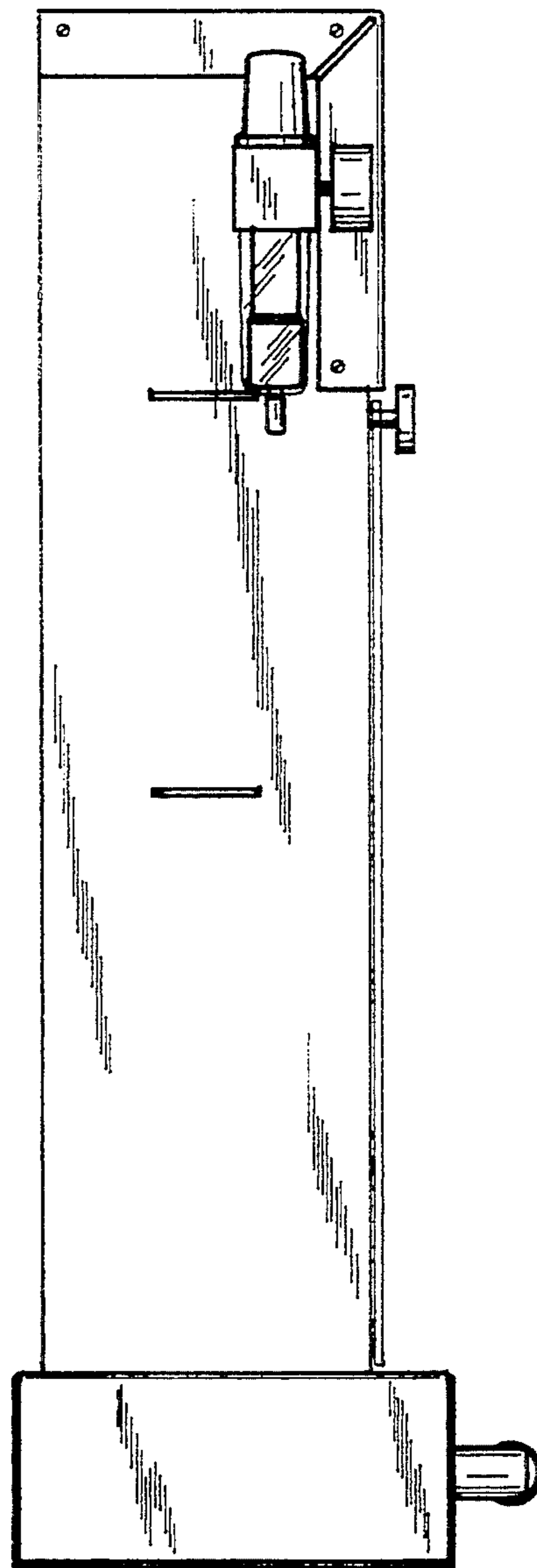
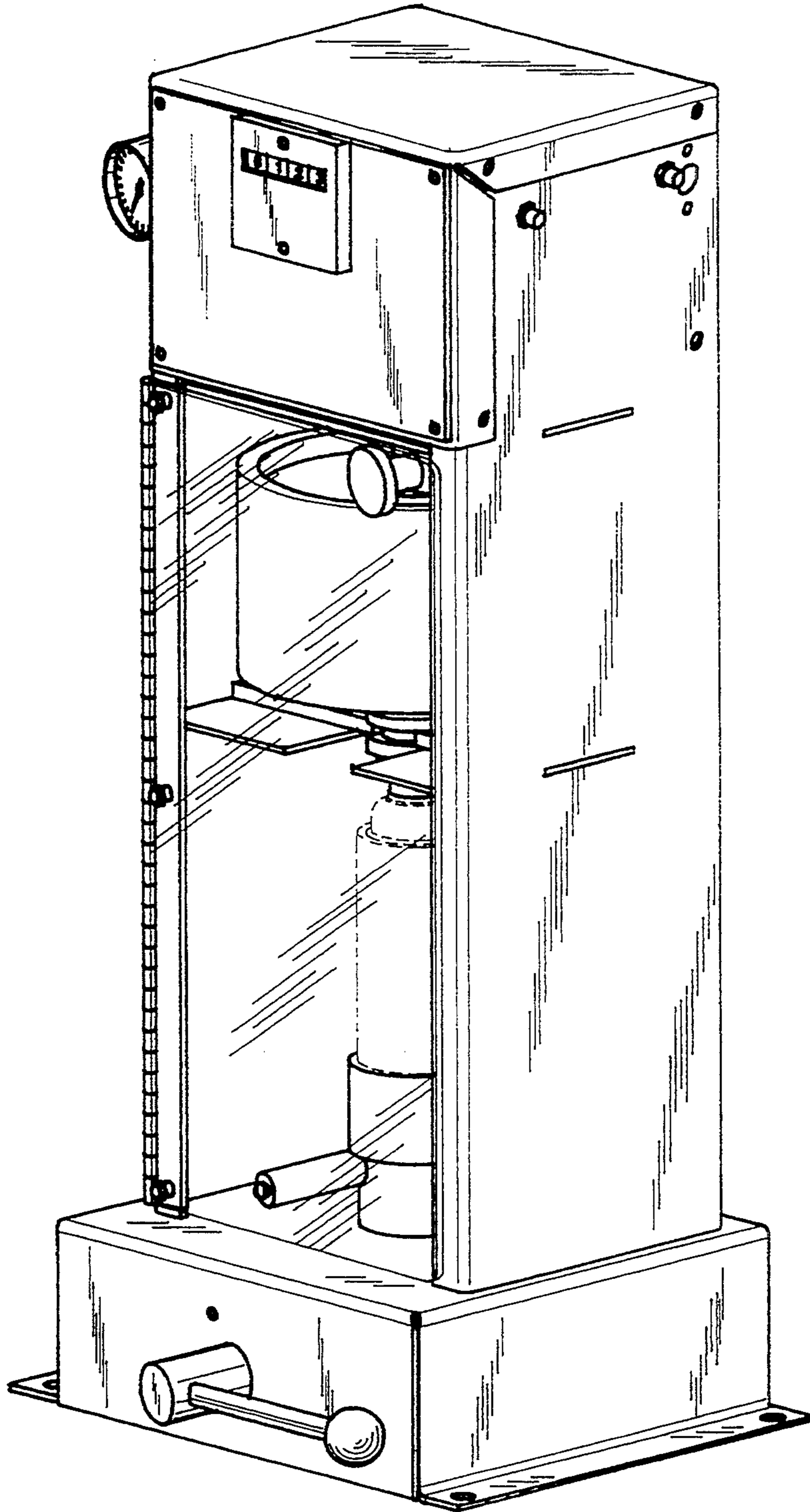


Fig. 12

Fig. 13



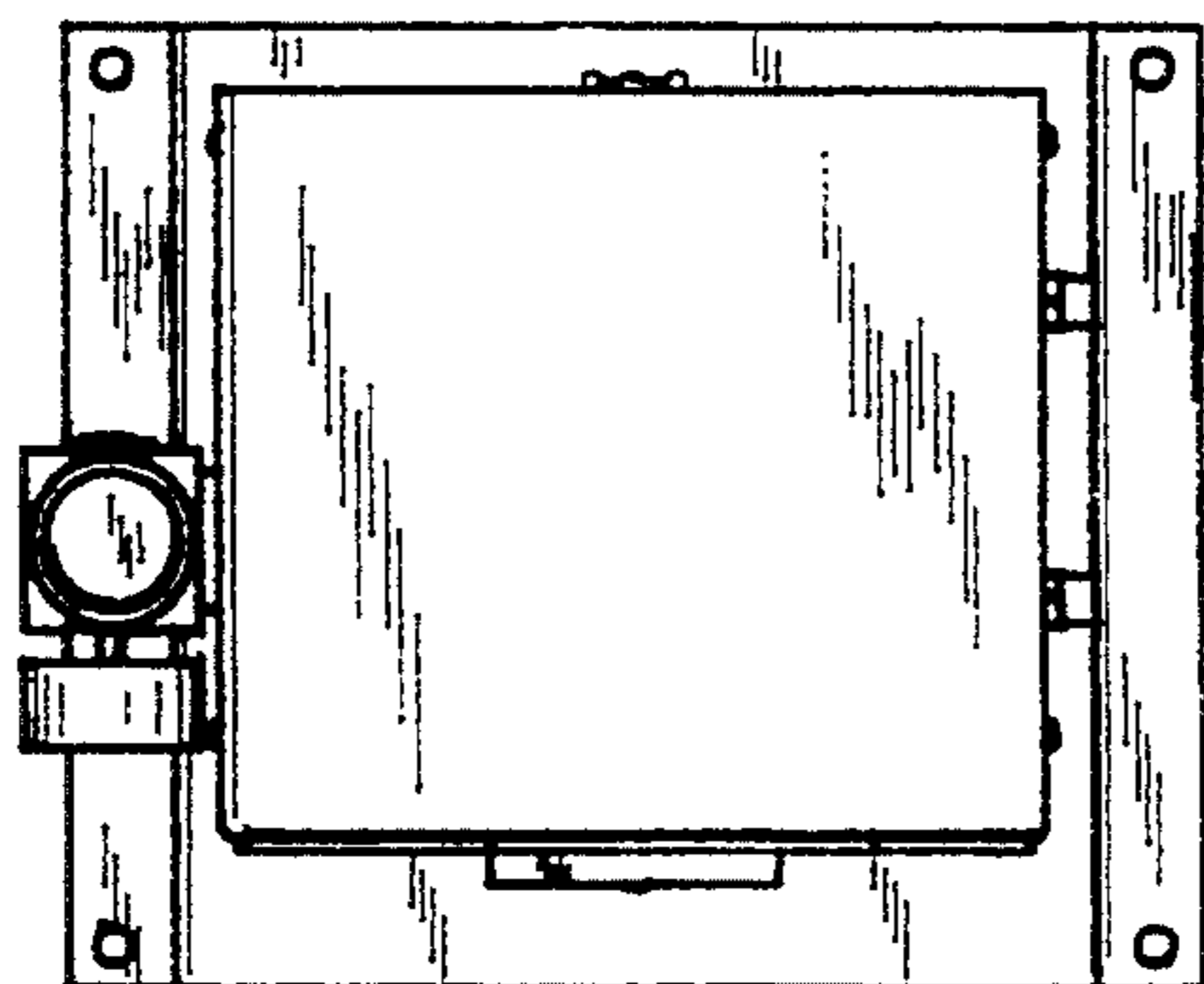


Fig. 16

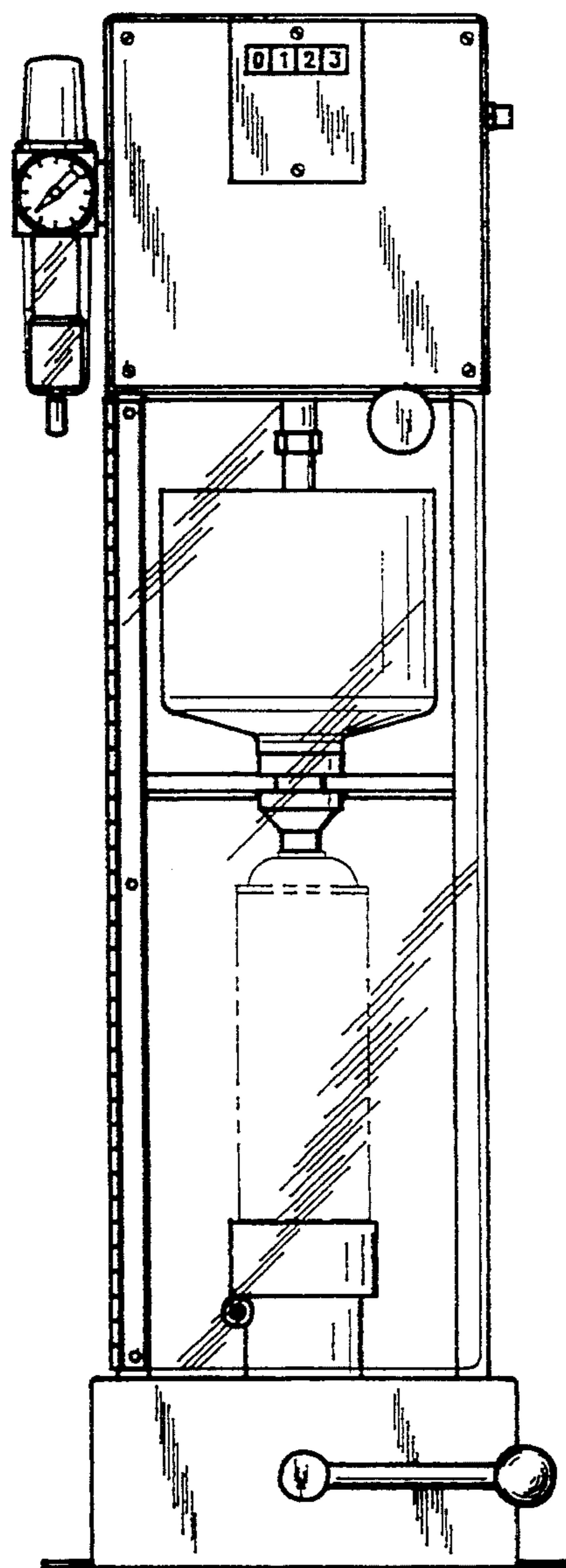


Fig. 14

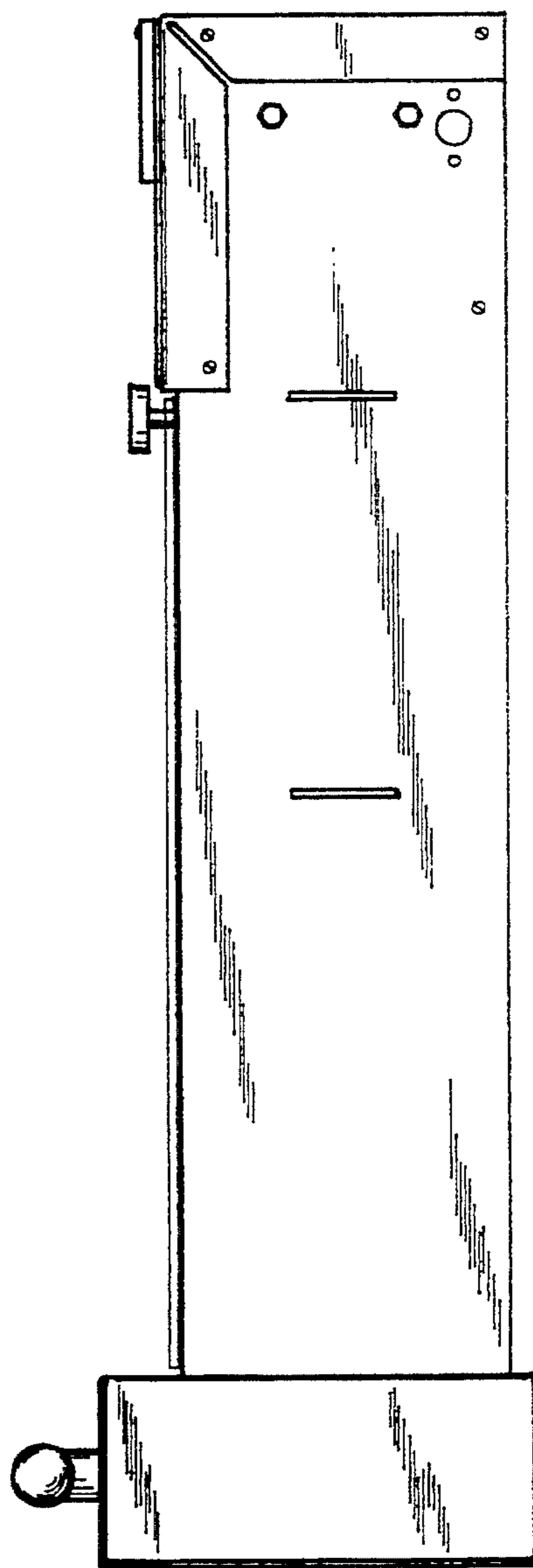


Fig. 15

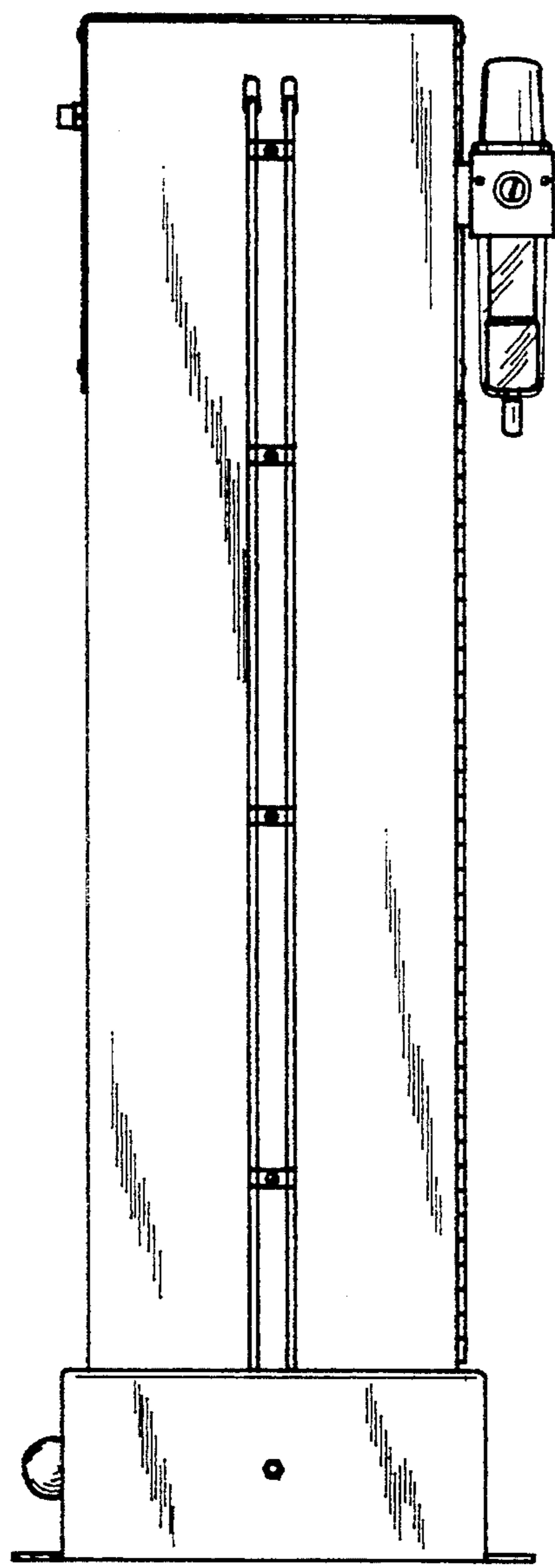


Fig. 17

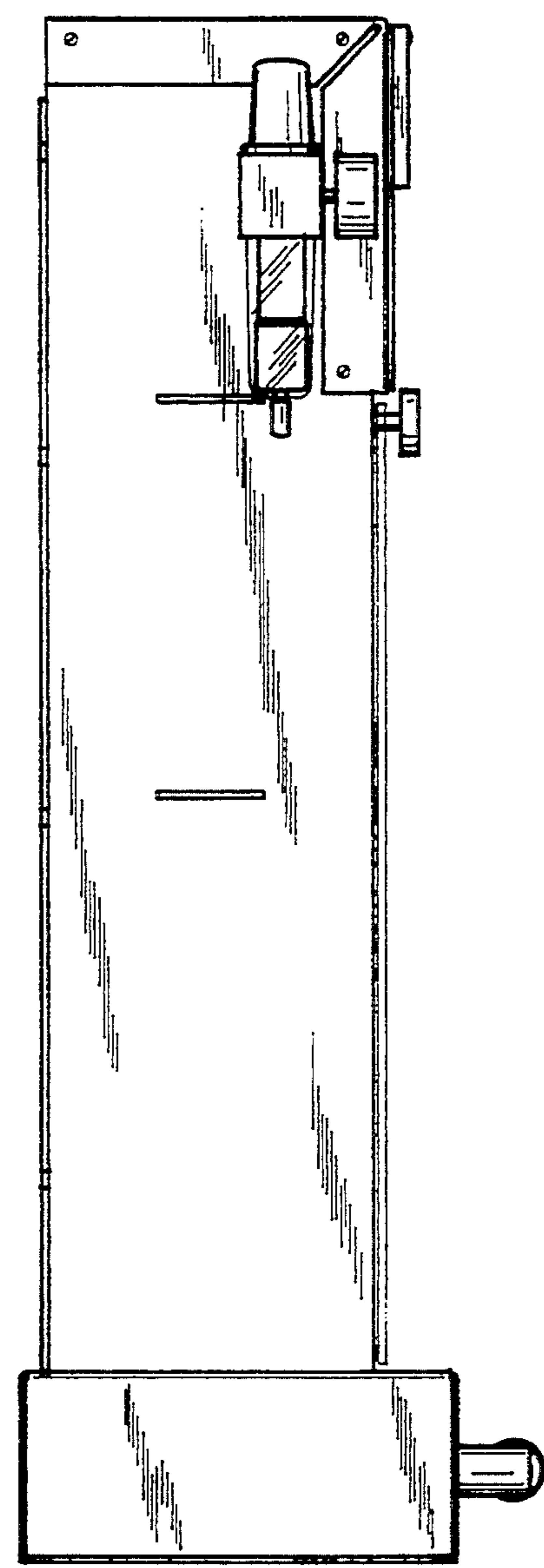
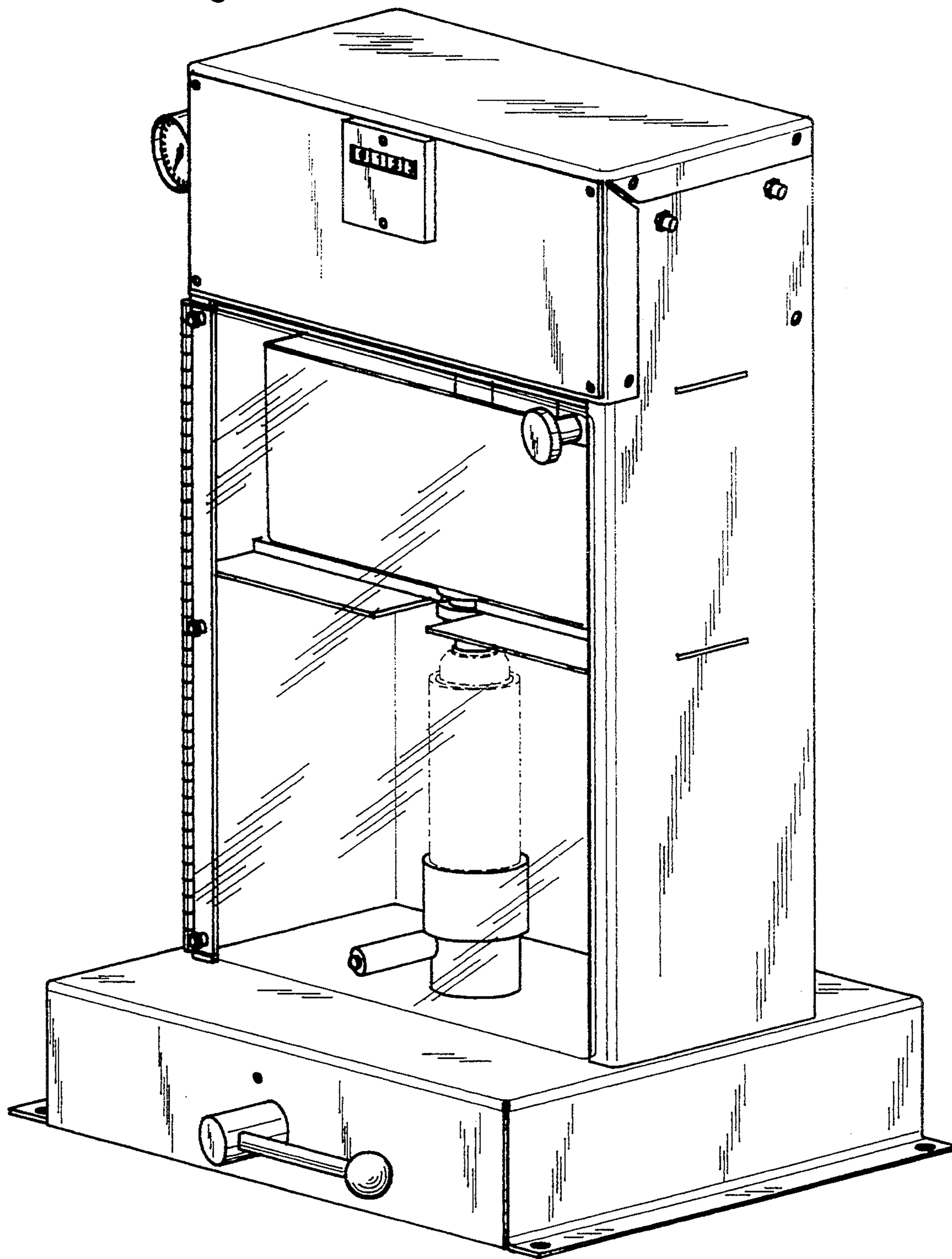


Fig. 18

Fig. 19



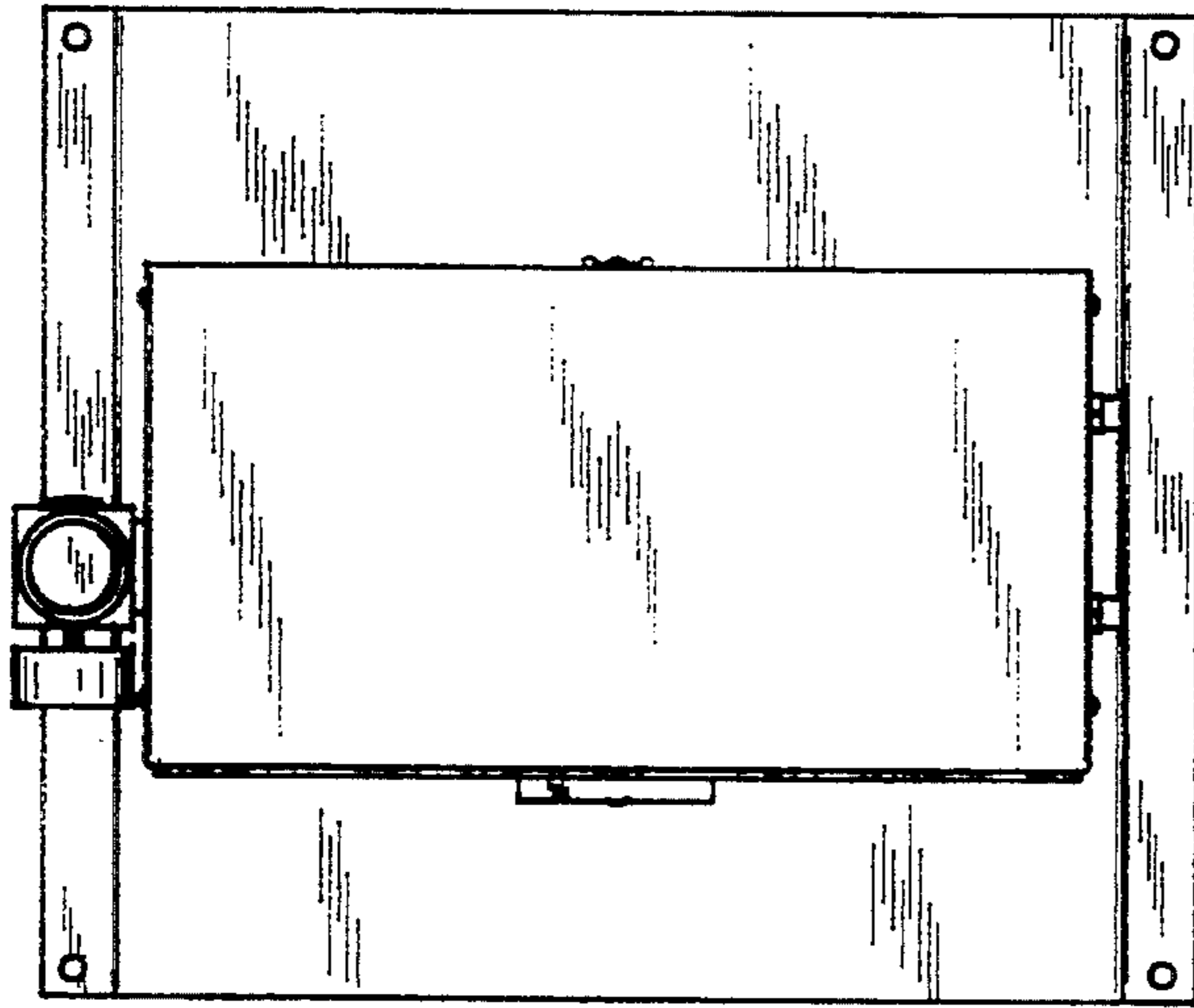


Fig. 22

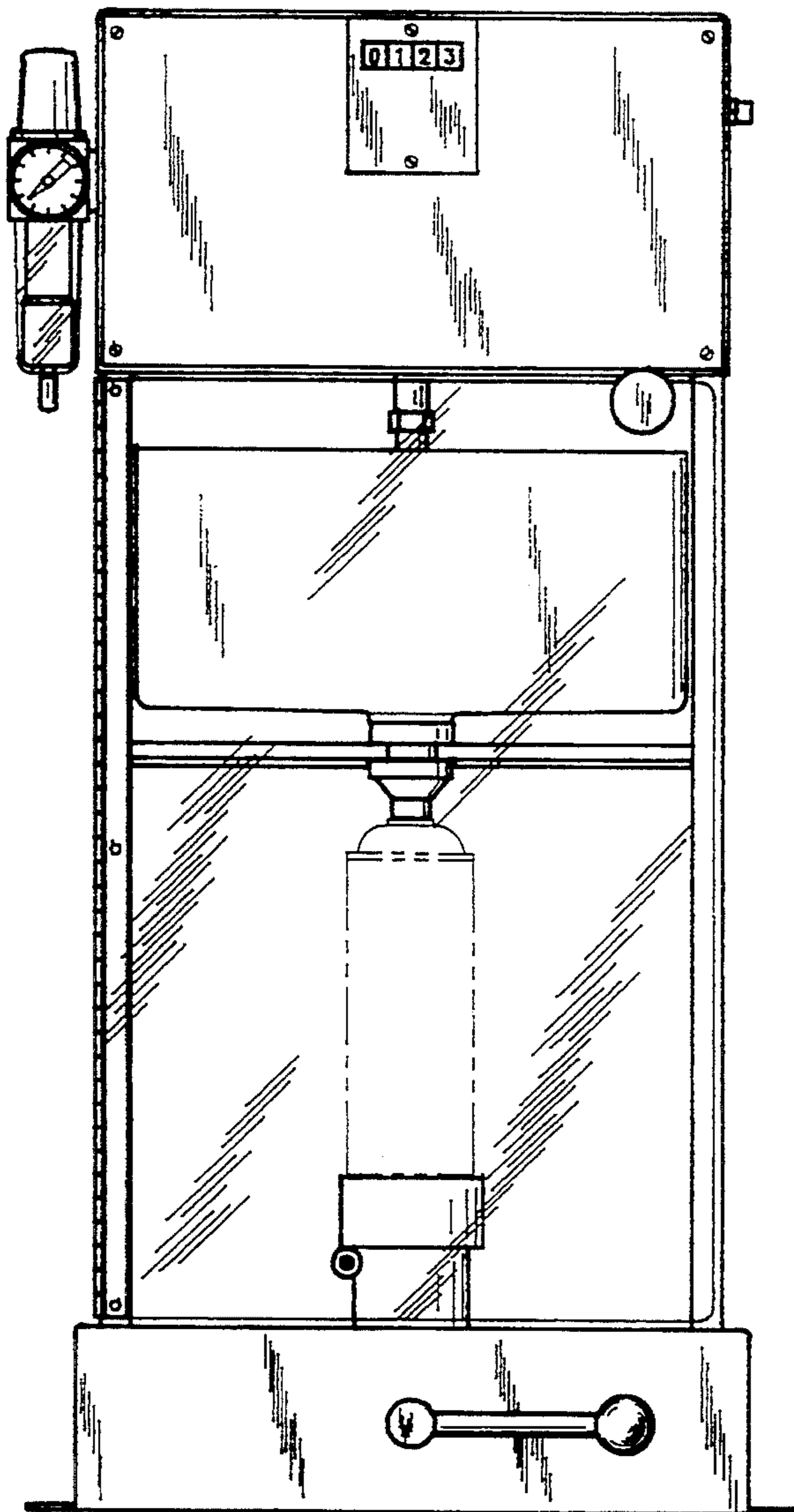


Fig. 20

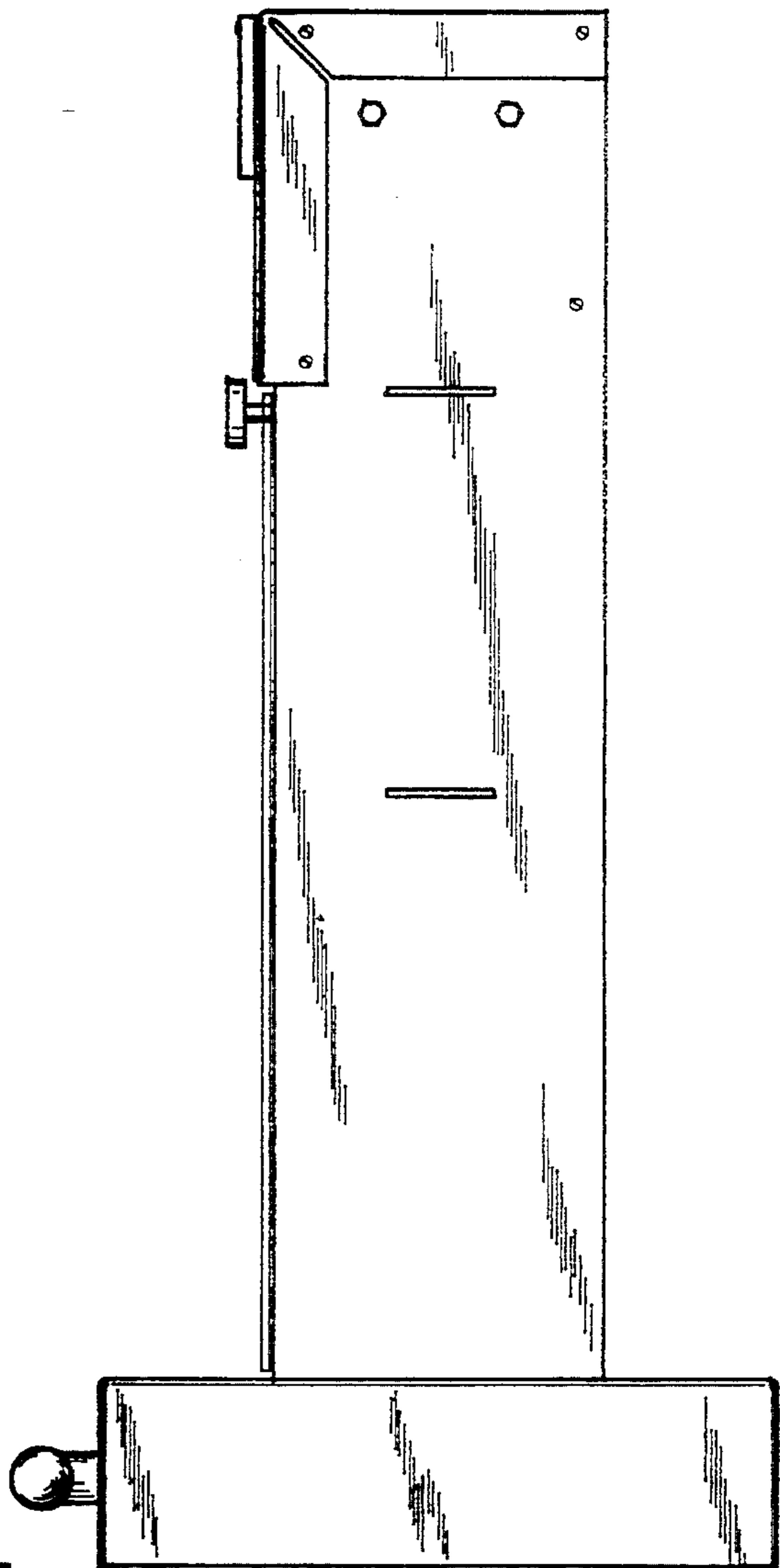


Fig. 21

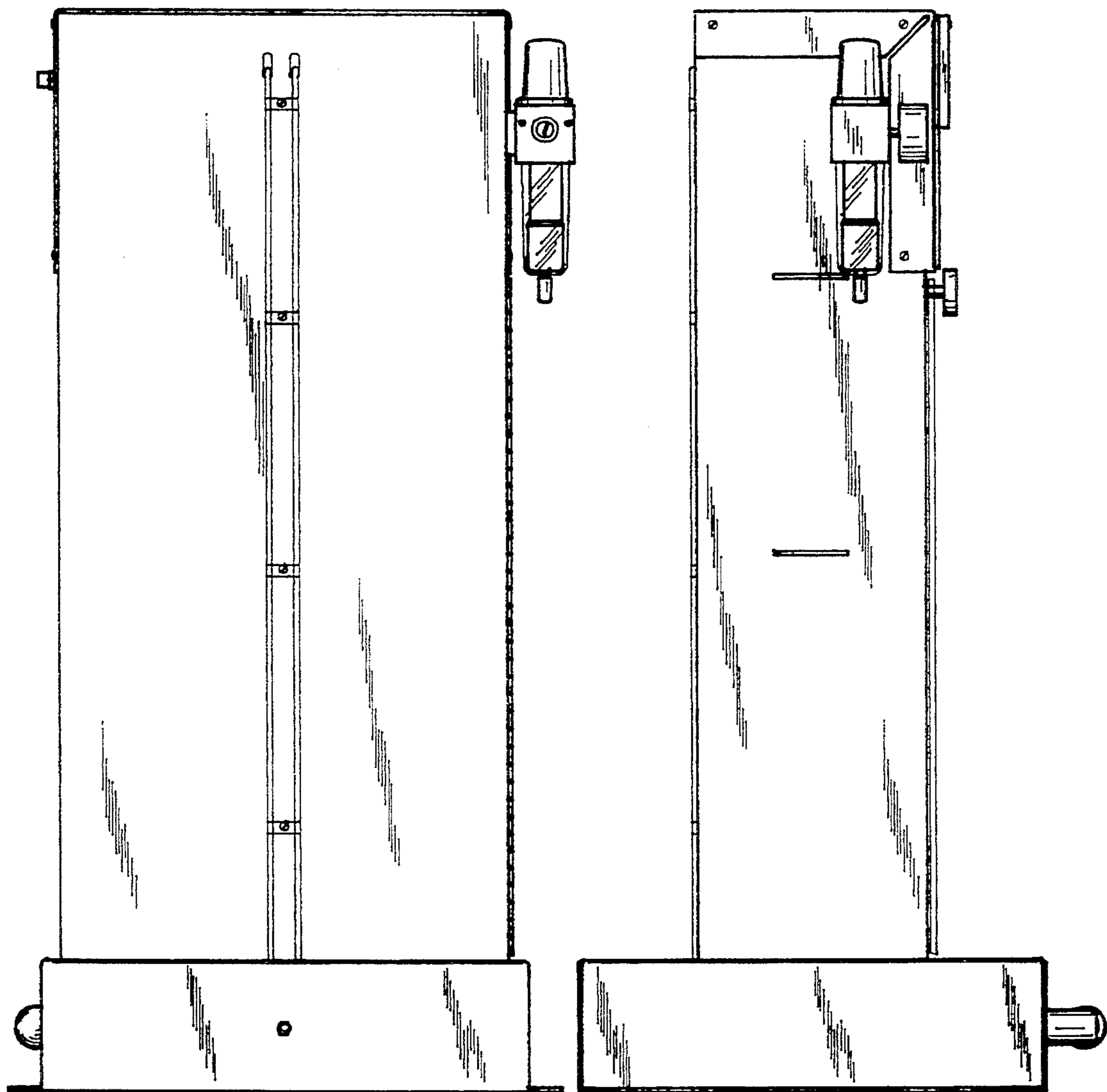


Fig. 23

Fig. 24