



US00D361580S

United States Patent [19]

[11] Patent Number: **Des. 361,580**

Bauer

[45] Date of Patent: **** Aug. 22, 1995**

[54] **LINEAR SLIDE WITH TOOTHED BELT DRIVES**

[75] Inventor: **Siegfried Bauer,**
Massbach-Volkershausen, Germany

[73] Assignee: **Deutsche Star GmbH,** Schweinfurt,
Germany

[**] Term: **14 Years**

[21] Appl. No.: **27,929**

[22] Filed: **Sep. 1, 1994**

Related U.S. Application Data

[62] Division of Ser. No. 16,498, Dec. 16, 1993, which is a
division of Ser. No. 795,640, Nov. 21, 1991, Pat. No.
Des. 345,041.

[30] **Foreign Application Priority Data**

May 22, 1991 [DE] Germany 91 03 755.7

[52] U.S. Cl. **D15/138; D15/199**

[58] Field of Search **D15/138, 145, 199;**
53/128.1; 82/132-141; 474/144-147, 205, 268

[56] **References Cited**

U.S. PATENT DOCUMENTS

| | | | | |
|------------|--------|------------------|-------|-----------|
| D. 240,293 | 6/1976 | Bogart | | D10/70 |
| D. 308,207 | 5/1990 | Burke | | D15/199 X |
| D. 310,041 | 8/1990 | Nagaoka | | D10/70 |
| D. 333,666 | 3/1993 | Kawashima et al. | | D15/199 X |

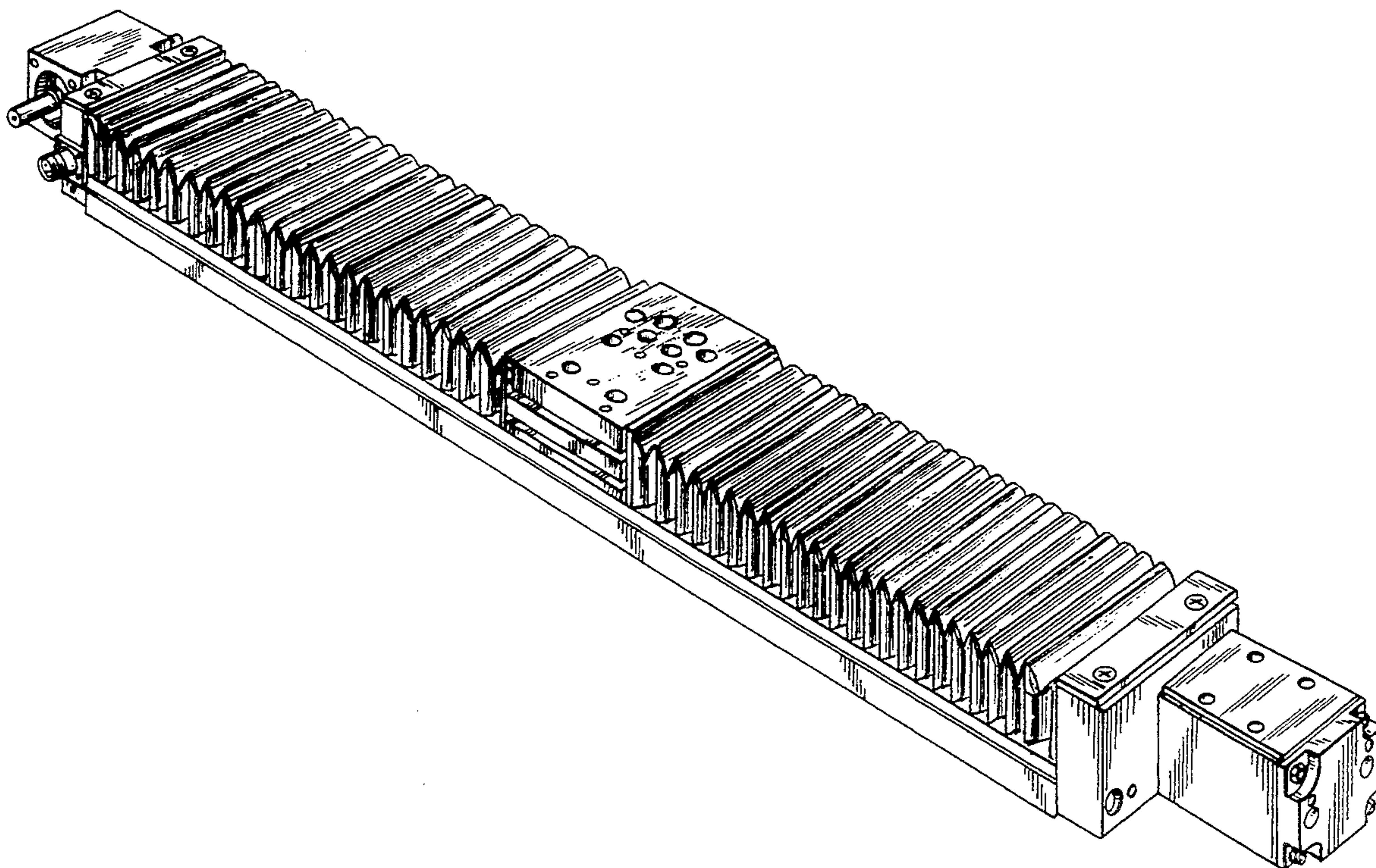
Primary Examiner—Antoine Duval Davis
Attorney, Agent, or Firm—Anderson Kill Olick &
Oshinsky

[57] **CLAIM**

The ornamental design for a linear slide with toothed belt drives, as shown and described.

DESCRIPTION

FIG. 1 is a perspective front view of a first embodiment of the linear slide showing my new design;
FIG. 2 is a perspective rear view thereof;
FIG. 3 is a perspective bottom view thereof;
FIG. 4 is a perspective front view of a second embodiment of the linear slide;
FIG. 5 is a perspective rear view thereof; and,
FIG. 6 is a perspective bottom view thereof.



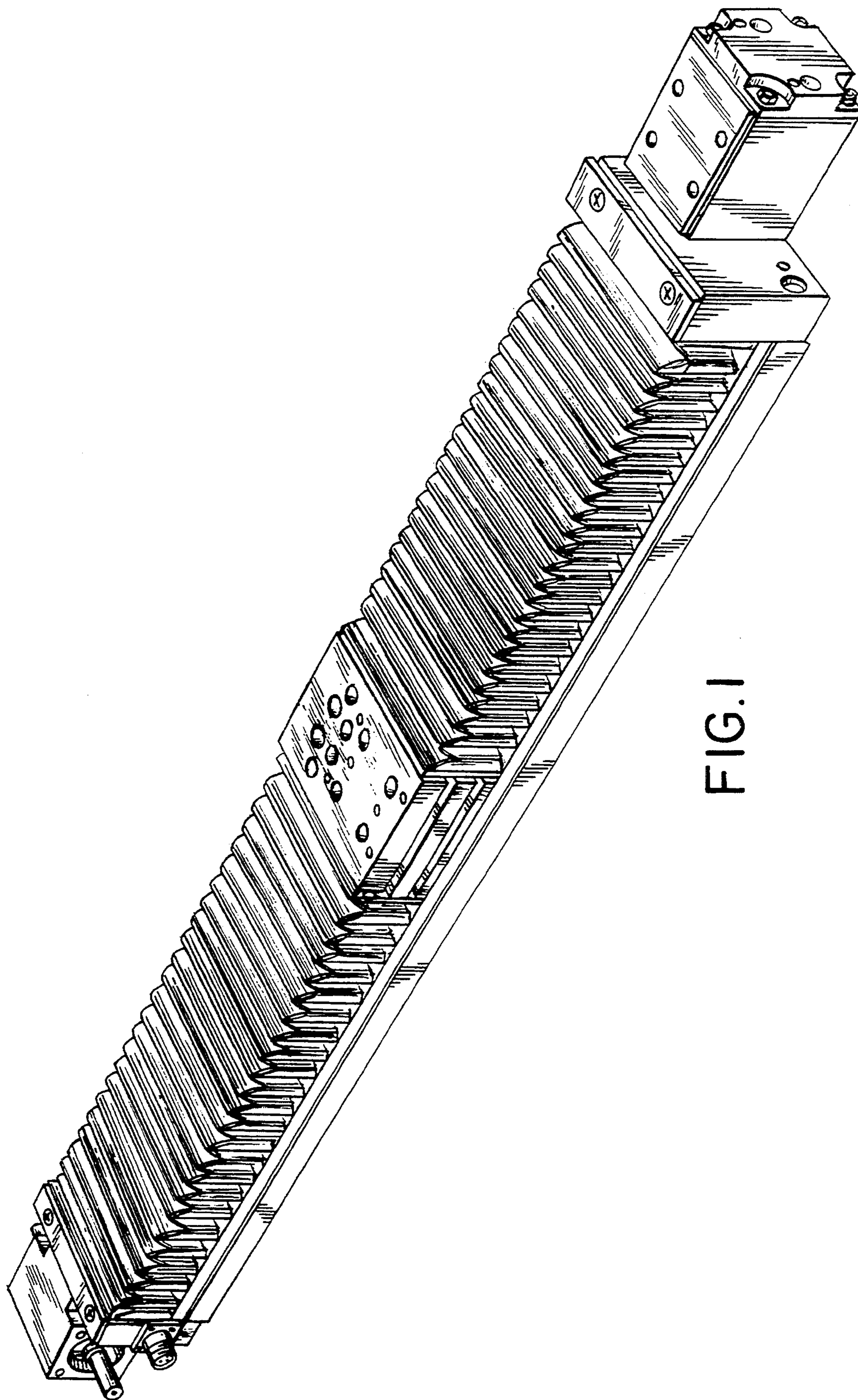


FIG. 1

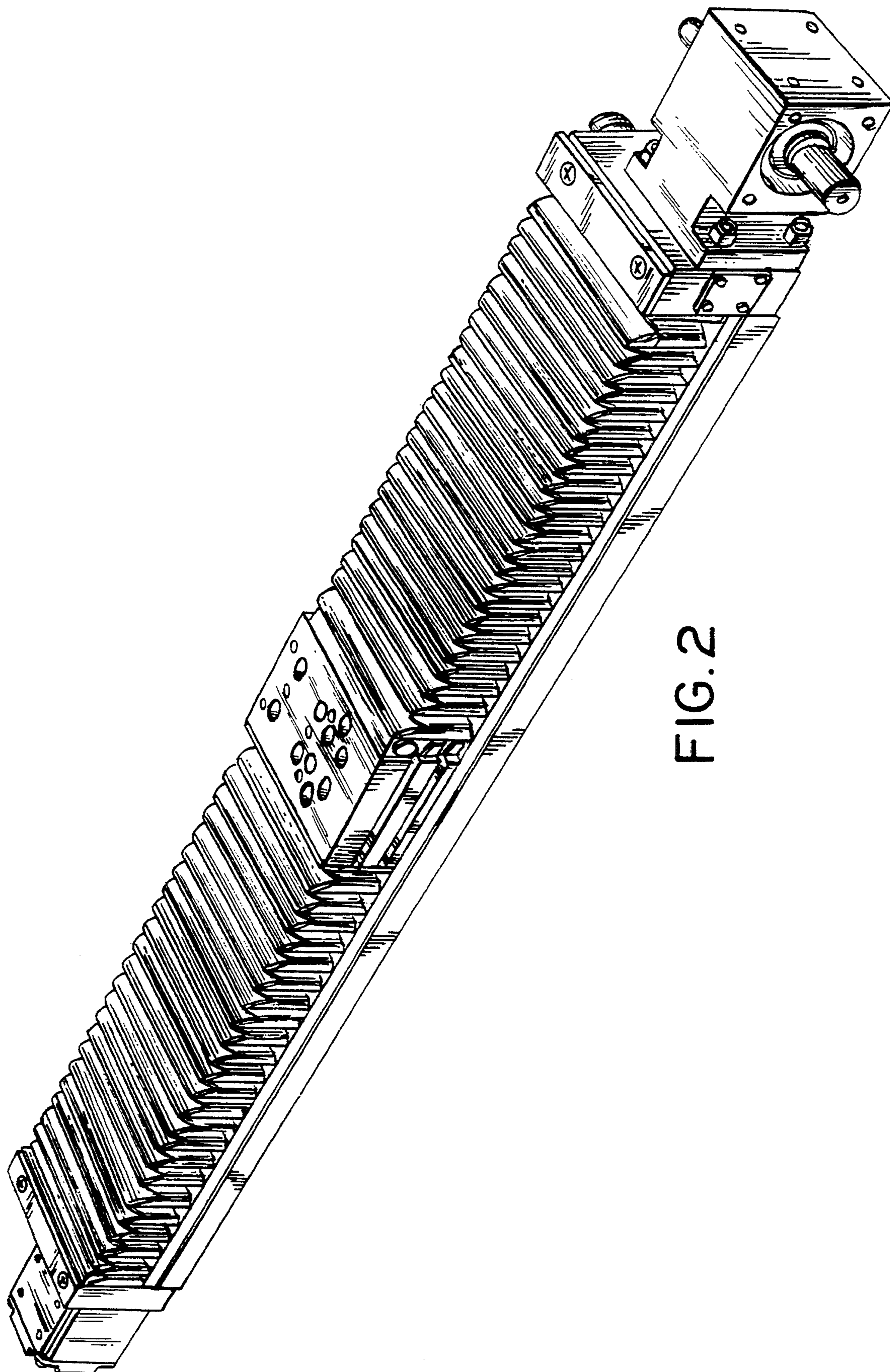


FIG. 2

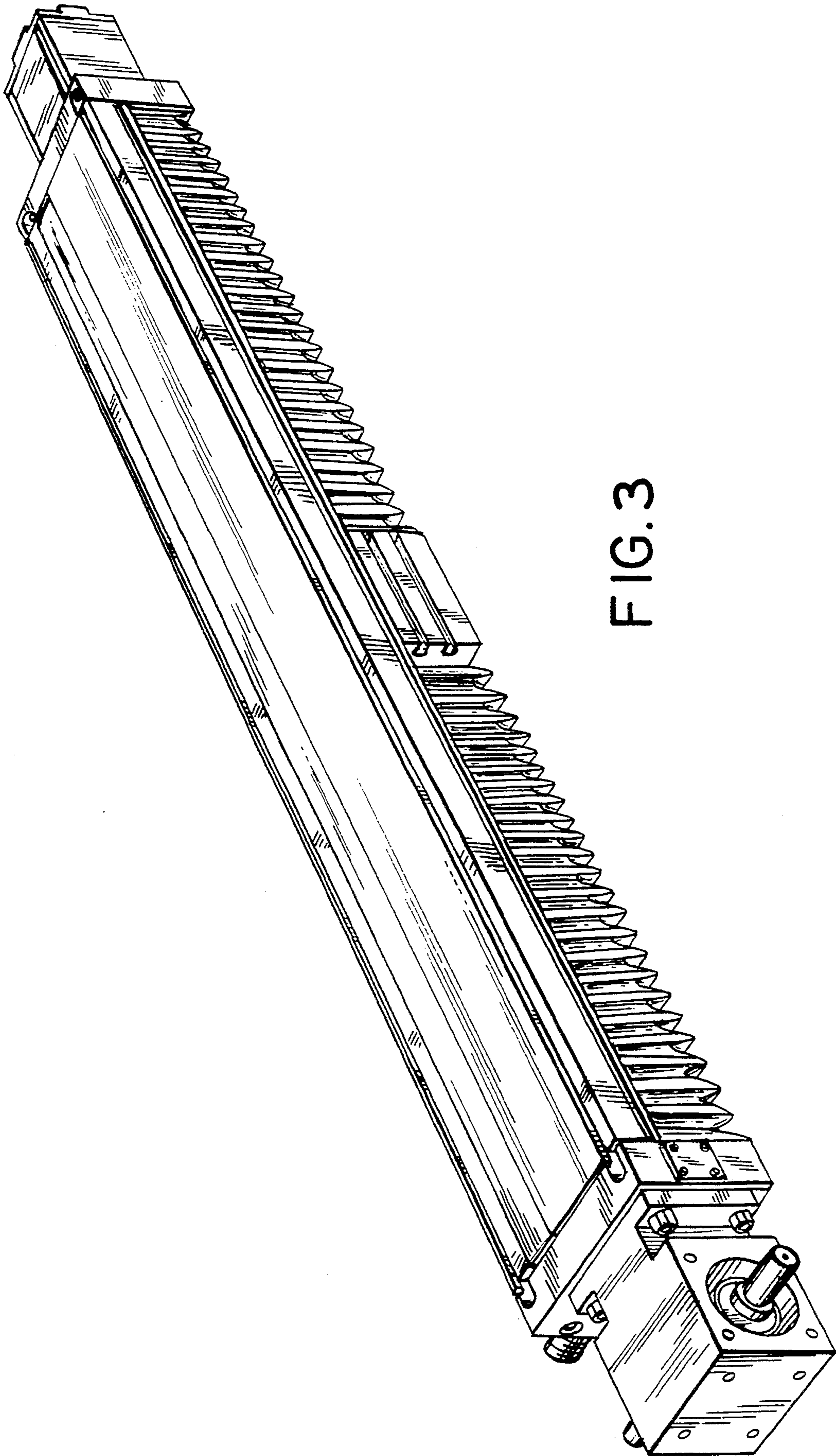


FIG. 3

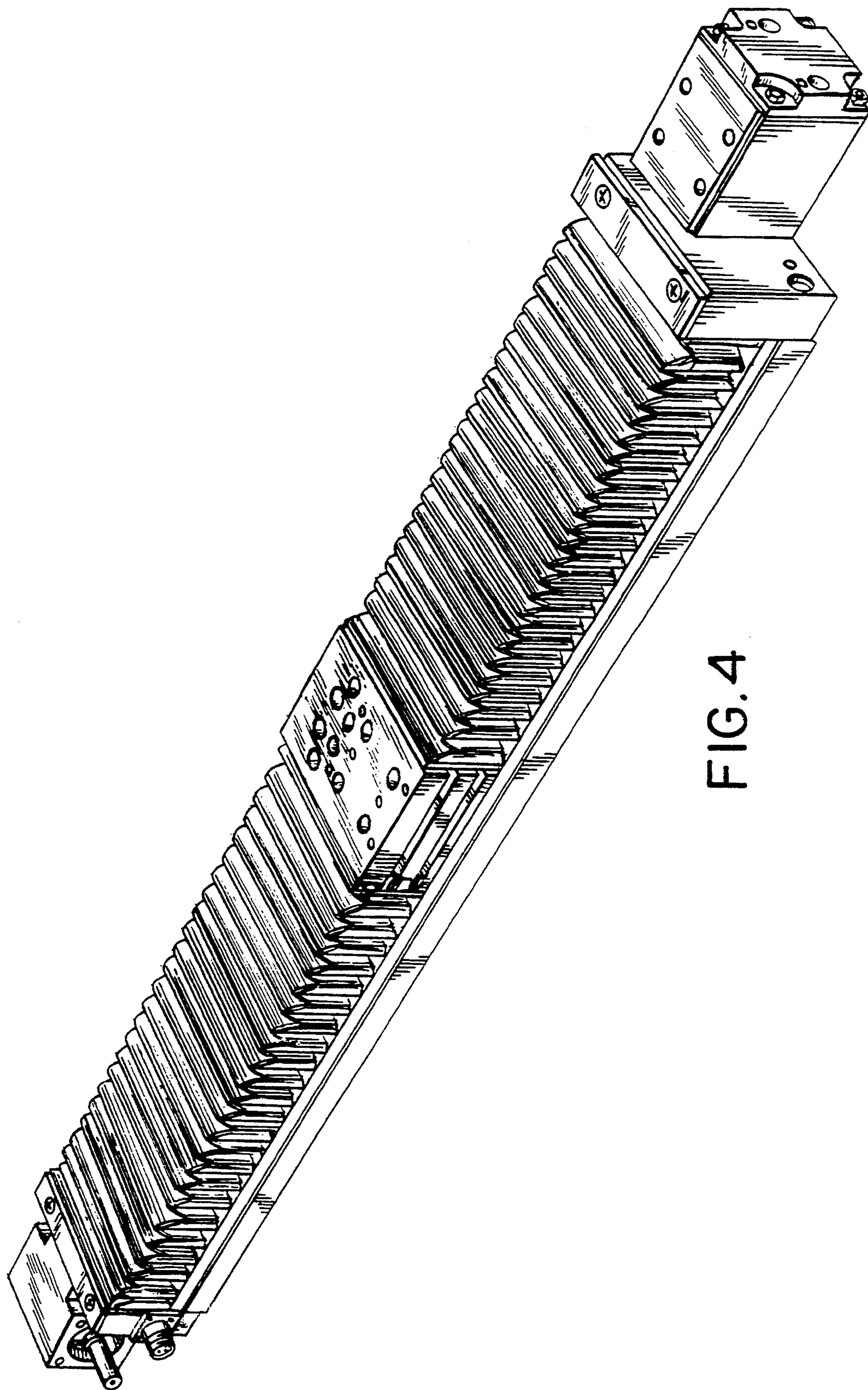


FIG. 4

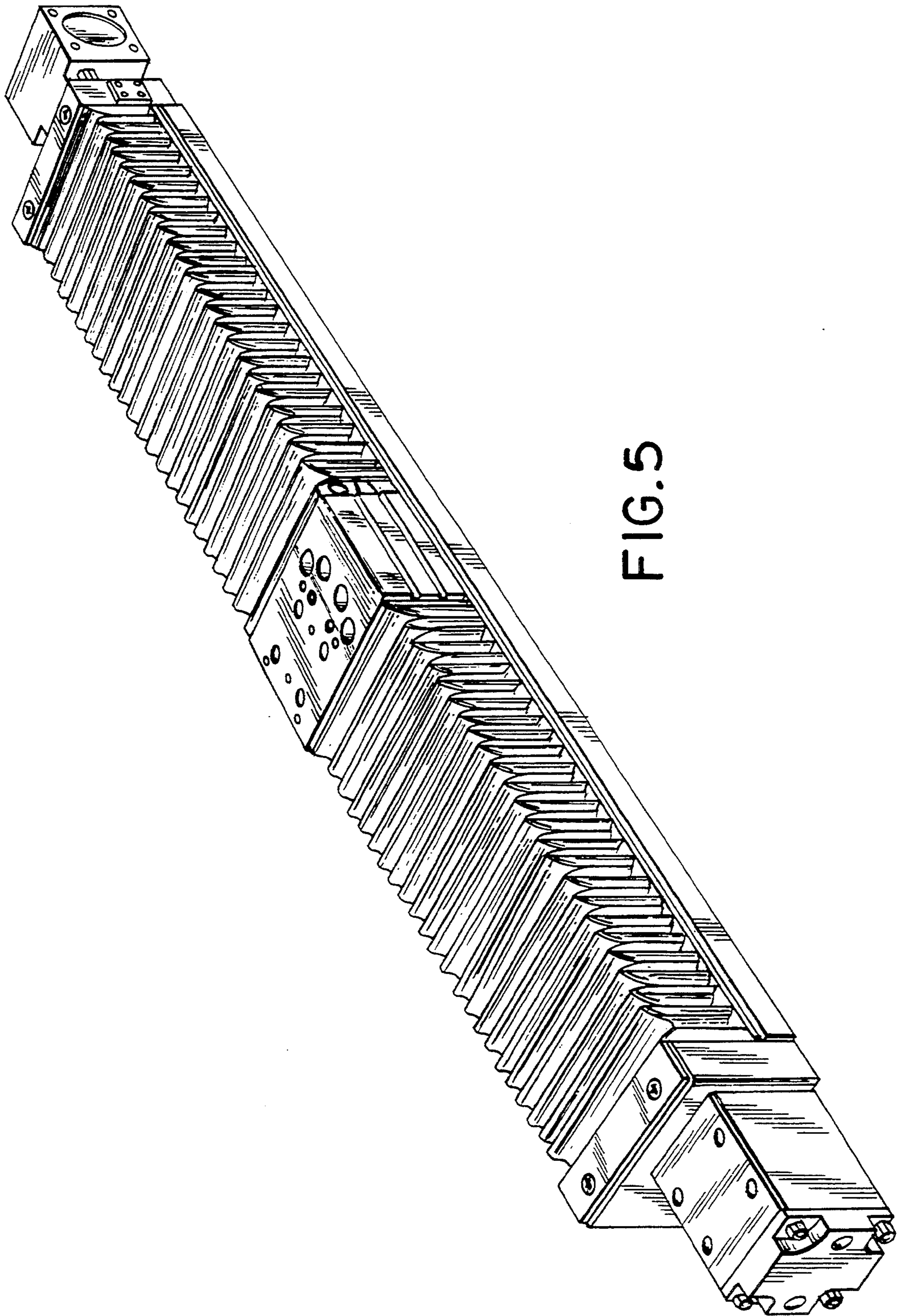


FIG. 5

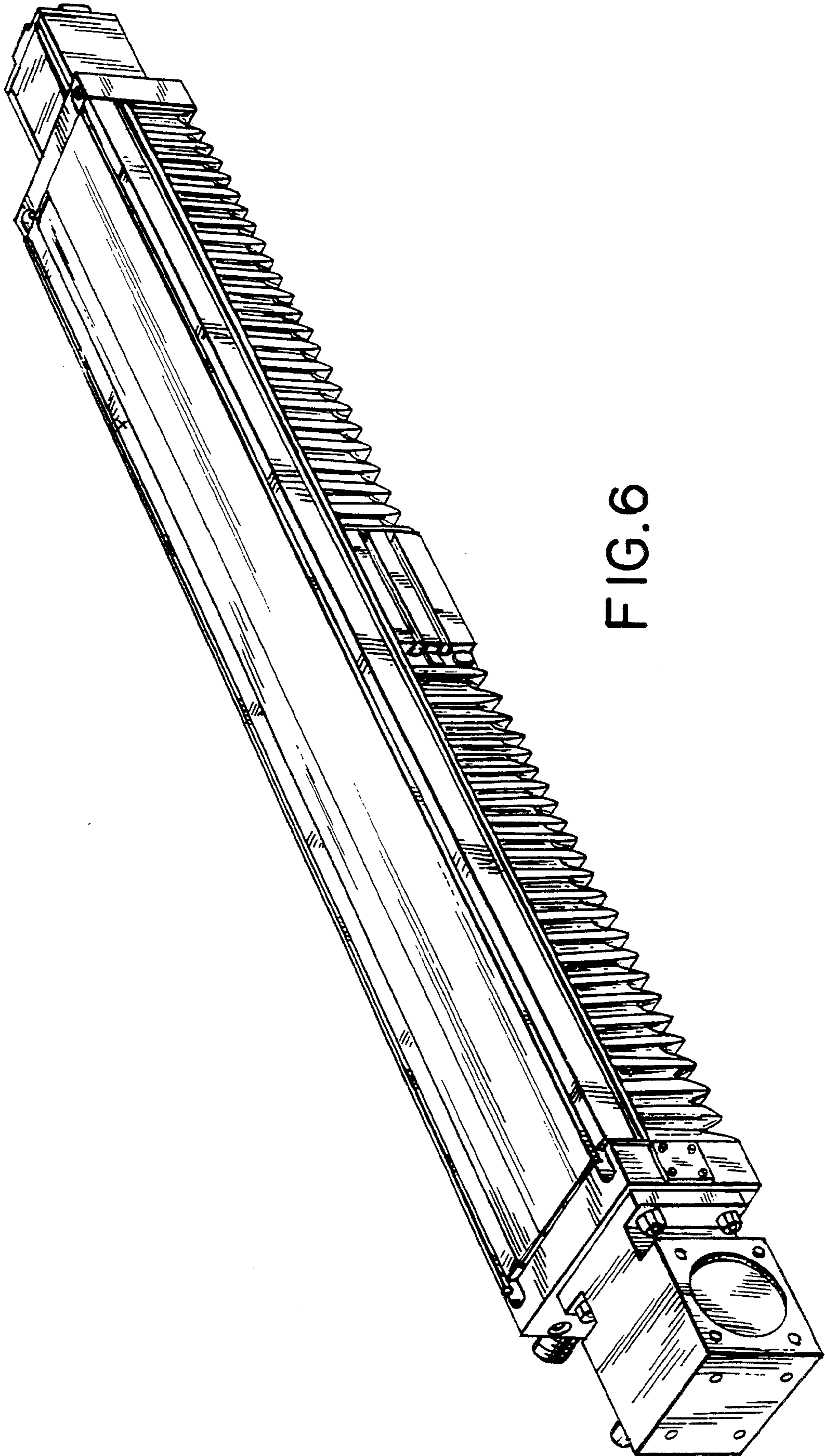


FIG. 6