



US00D361579S

United States Patent [19]

[11] Patent Number: **Des. 361,579**

Asano

[45] Date of Patent: **** Aug. 22, 1995**

[54] SHANK FOR A HOLE CUTTER

[75] Inventor: **Osamu Asano**, Tokyo, Japan

[73] Assignee: **Nitto Kohki Co., Ltd.**, Tokyo, Japan

[**] Term: **14 Years**

[21] Appl. No.: **25,206**

[22] Filed: **Jul. 26, 1994**

4,767,245 8/1988 Shoji et al. 408/206 X
 4,871,287 10/1989 Hougen 408/206
 5,281,060 1/1994 Strange et al. 408/206

Primary Examiner—Antoine Duval Davis
Attorney, Agent, or Firm—Wenderoth, Lind & Ponack

[30] Foreign Application Priority Data

Apr. 27, 1994 [JP] Japan 6-11894

[52] U.S. Cl. **D15/138; D15/140**

[58] Field of Search D15/138, 140; 408/204,
 408/205, 206, 226, 239 R, 239 A, 240

[57] CLAIM

The ornamental design for a shank for a hole cutter, as shown and described.

DESCRIPTION

FIG. 1 is a perspective view taken from the top and front of a shank for a hole cutter showing my new design, the broken line showing of a cutter body being illustrative of environmental matter only and forming no part of the claimed design;

FIG. 2 is a top plan view thereof;

FIG. 3 is a front view thereof;

FIG. 4 is a rear elevational view thereof;

FIG. 5 is a left side view thereof;

FIG. 6 is a right side view thereof; and,

FIG. 7 is a sectional end view thereof taken on line 7—7 of FIG. 3.

[56] References Cited

U.S. PATENT DOCUMENTS

D. 291,087 7/1987 Salmi et al. D15/138
 2,638,021 5/1953 Van Der Heidan 408/204
 3,860,354 1/1975 Hougen 408/206
 4,322,188 3/1982 Hougen 408/206

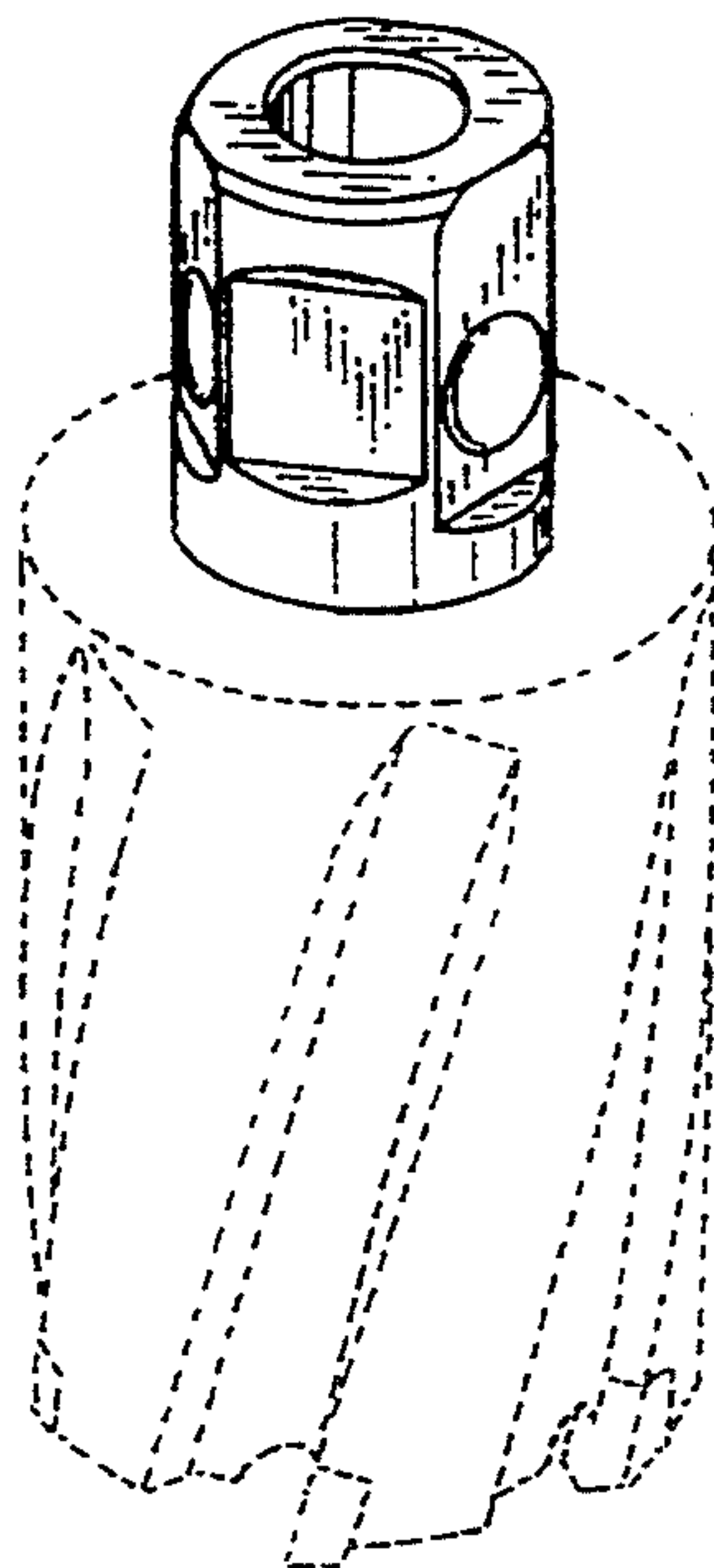


FIG. 1

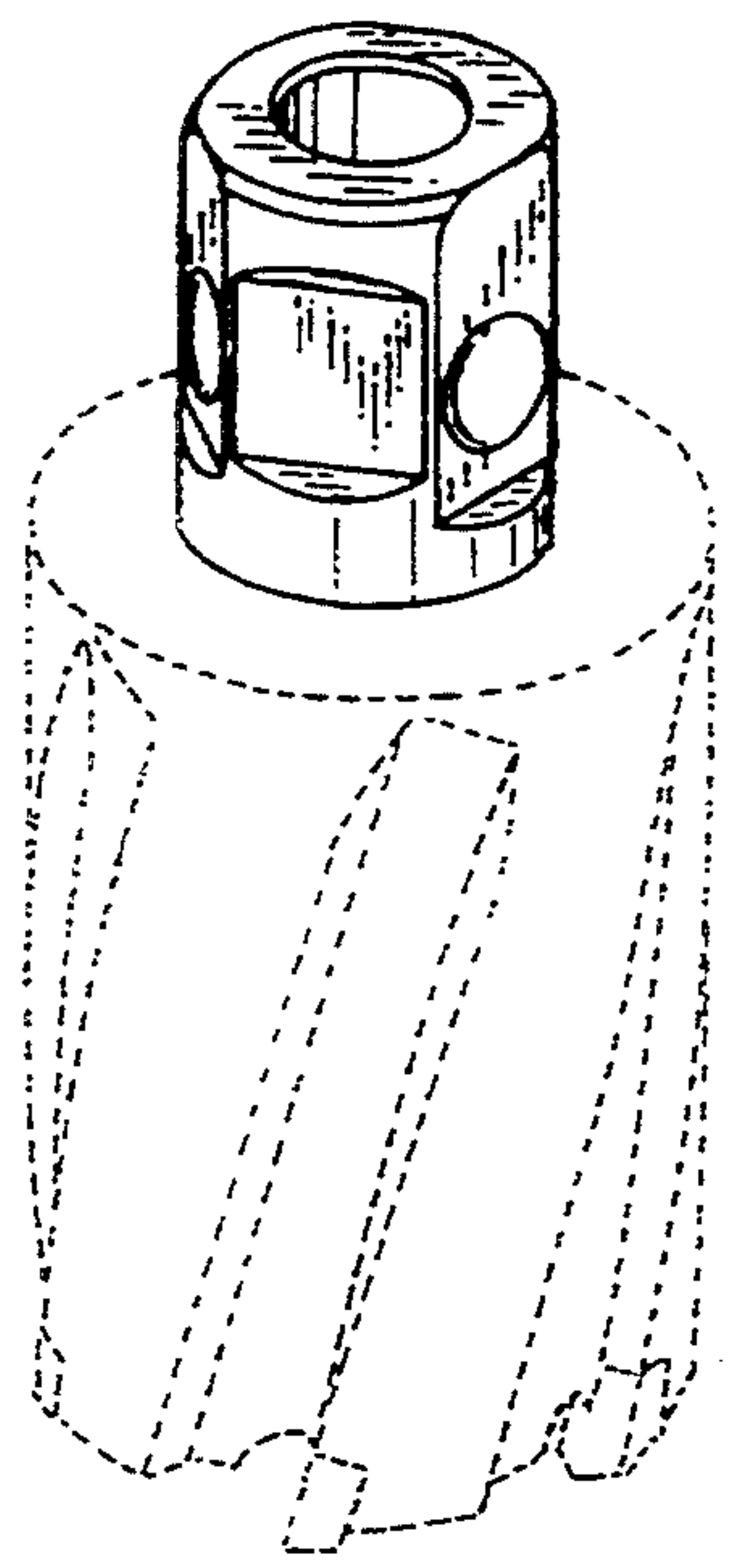


FIG. 4

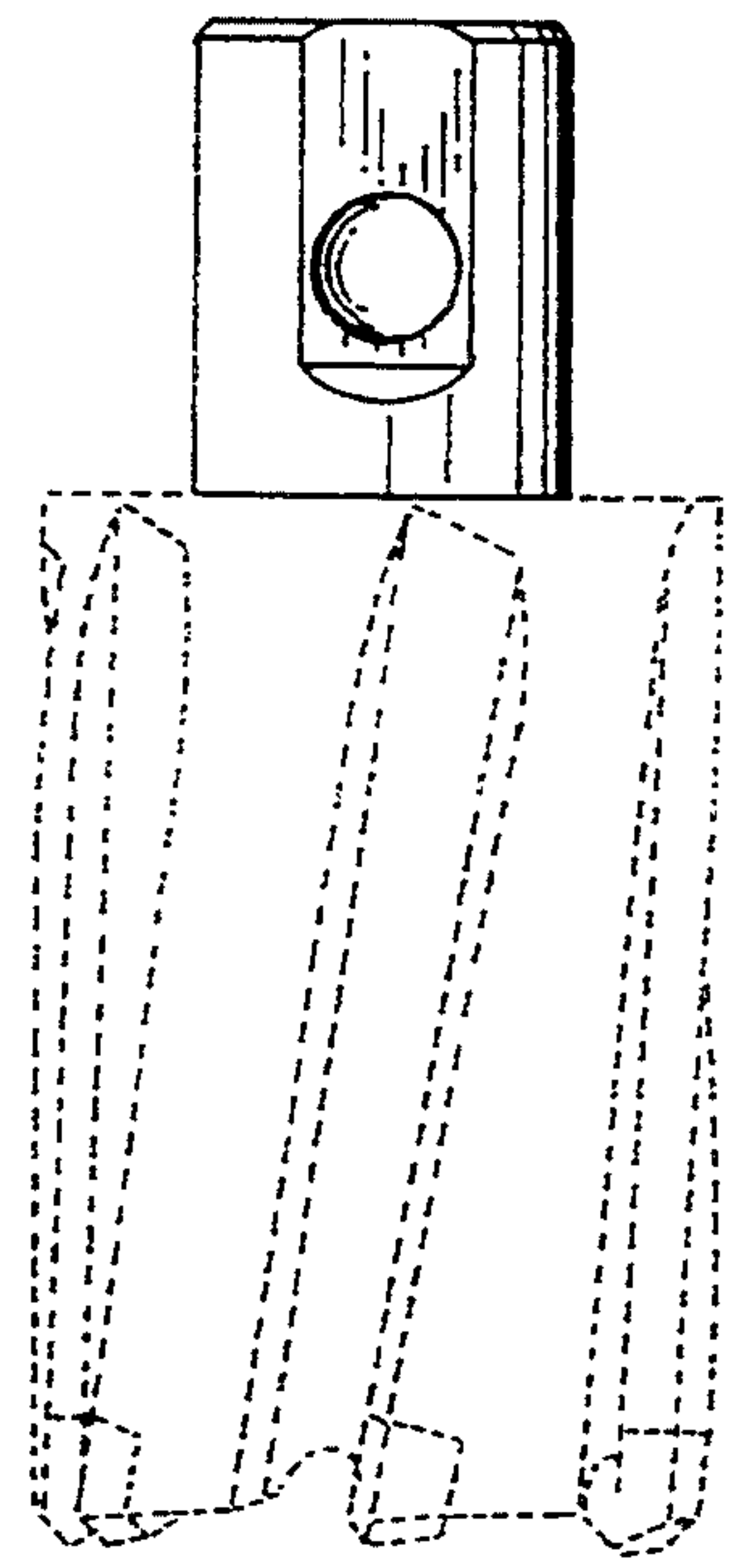


FIG. 6

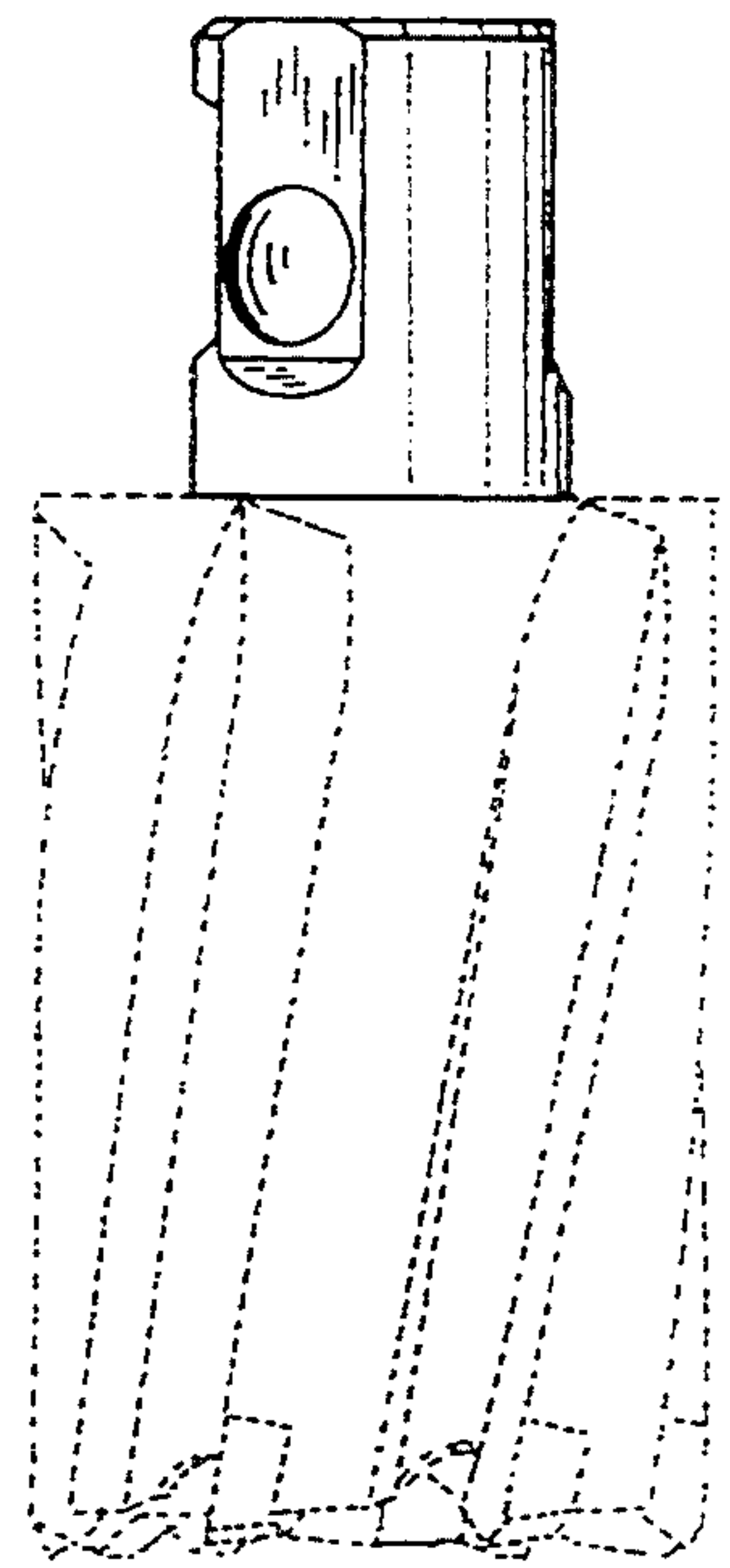


FIG. 2

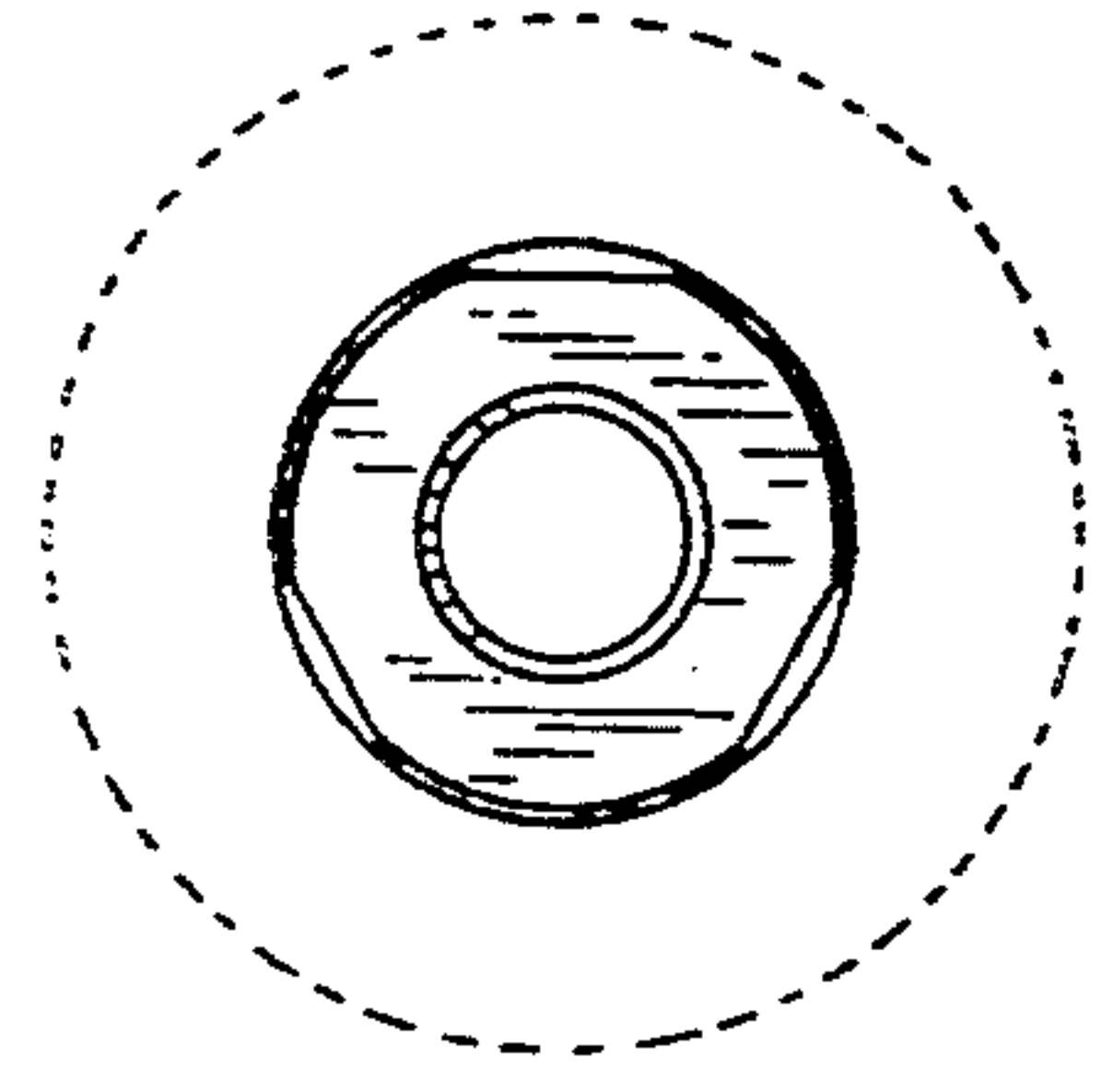


FIG. 5

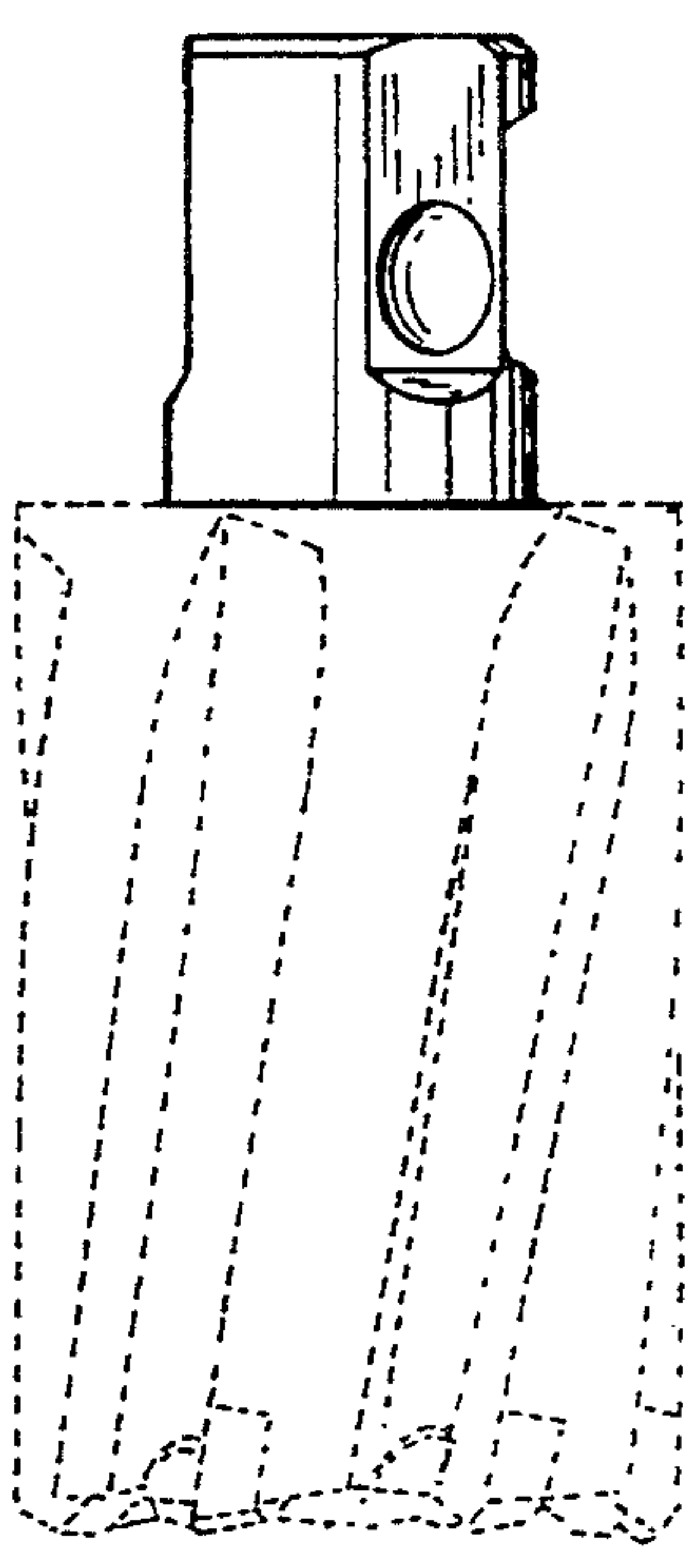


FIG. 3

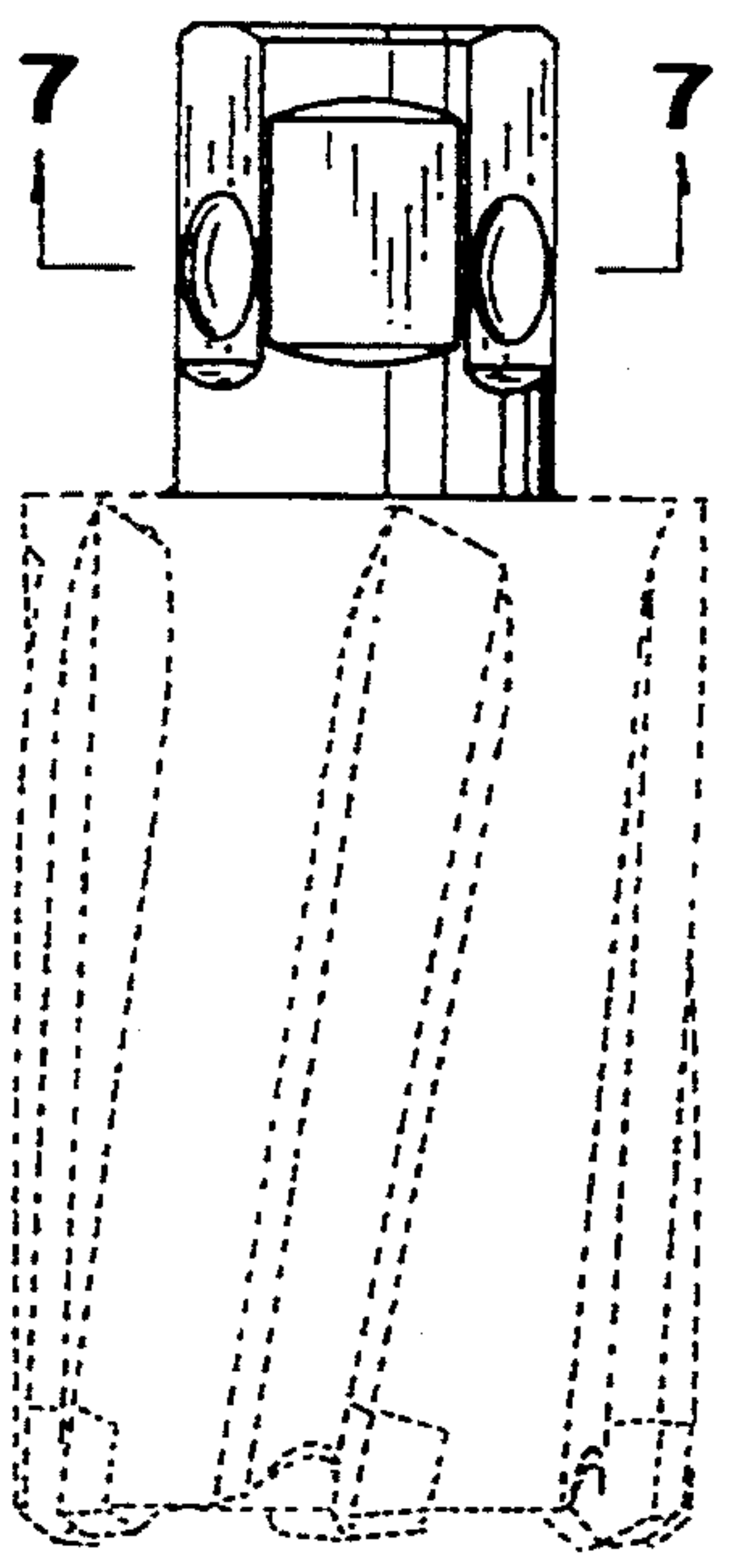


FIG. 7

