



US00D361577S

United States Patent [19]

[11] Patent Number: **Des. 361,577**

Motomizu

[45] Date of Patent: **** Aug. 22, 1995**

[54] SEWING MACHINE

[75] Inventor: **Yujiro Motomizu**, Fuchu, Japan

[73] Assignee: **Juki Corporation**, Tokyo, Japan

[**] Term: **14 Years**

[21] Appl. No.: **17,374**

[22] Filed: **Jan. 12, 1994**

[30] Foreign Application Priority Data

Jul. 12, 1993 [JP] Japan 5-21348

[52] U.S. Cl. **D15/70**

[58] Field of Search D15/66-72;
112/217.1-217.4, 258-262.1

[56] References Cited

U.S. PATENT DOCUMENTS

D. 267,881 2/1983 Current D15/68
D. 278,823 5/1985 Yoneda D15/69

D. 292,928 11/1987 Lo D15/69
D. 298,044 10/1988 Sekiguchi D15/69
D. 321,694 11/1991 Uchida D15/69
5,315,943 5/1994 Sonoda 112/260

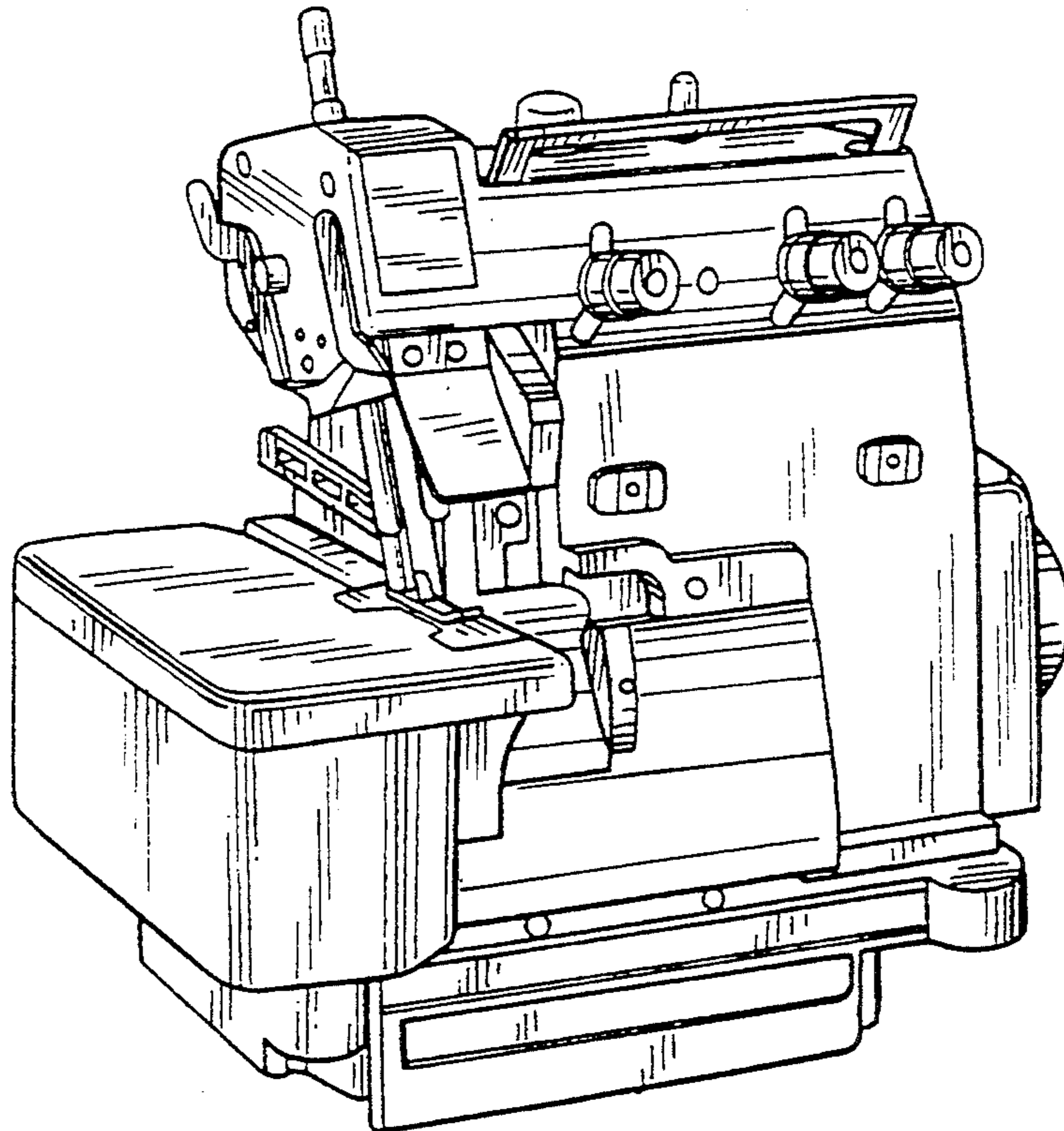
Primary Examiner—Theodore M. Shooman
Assistant Examiner—Sandra Morris
Attorney, Agent, or Firm—Morgan & Finnegan

[57] CLAIM

The ornamental design for a sewing machine, as shown.

DESCRIPTION

FIG. 1 is a perspective view of the design for a sewing machine in accordance with the present invention;
FIG. 2 is a top view thereof;
FIG. 3 is a front view thereof;
FIG. 4 is a bottom view thereof;
FIG. 5 is a right side view thereof;
FIG. 6 is a rear view thereof; and,
FIG. 7 is a left side view thereof.



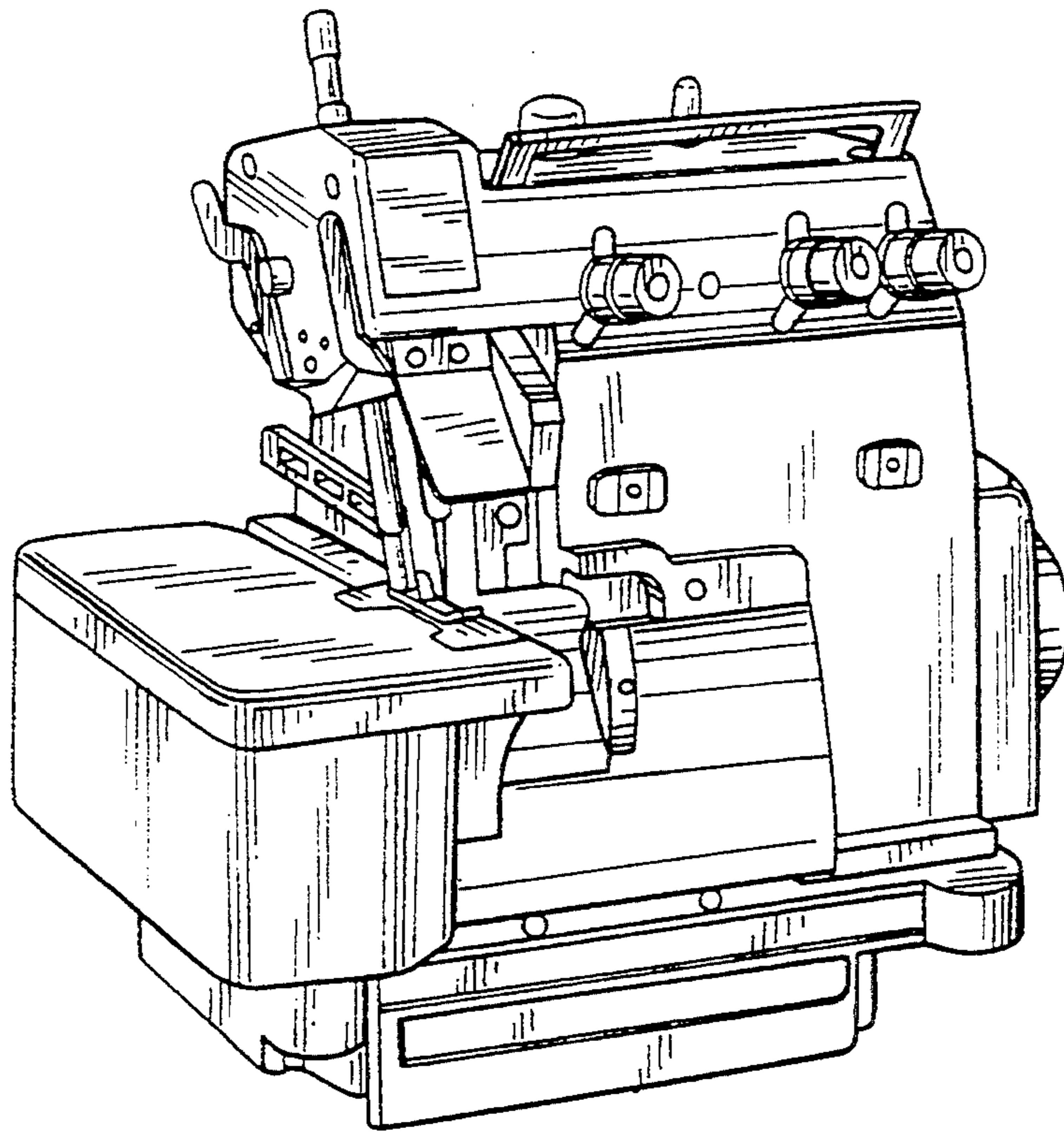


FIG. 1

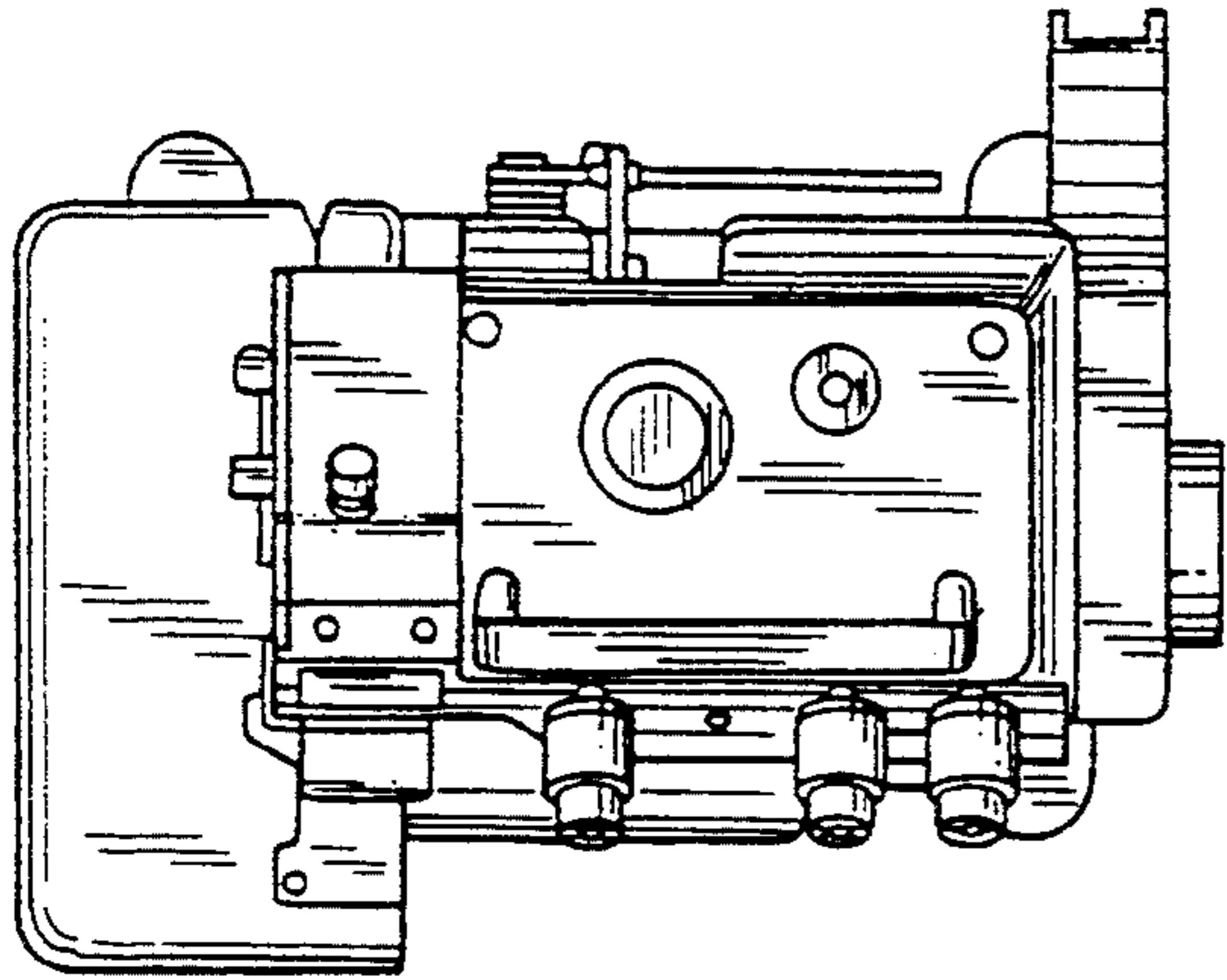


FIG. 2

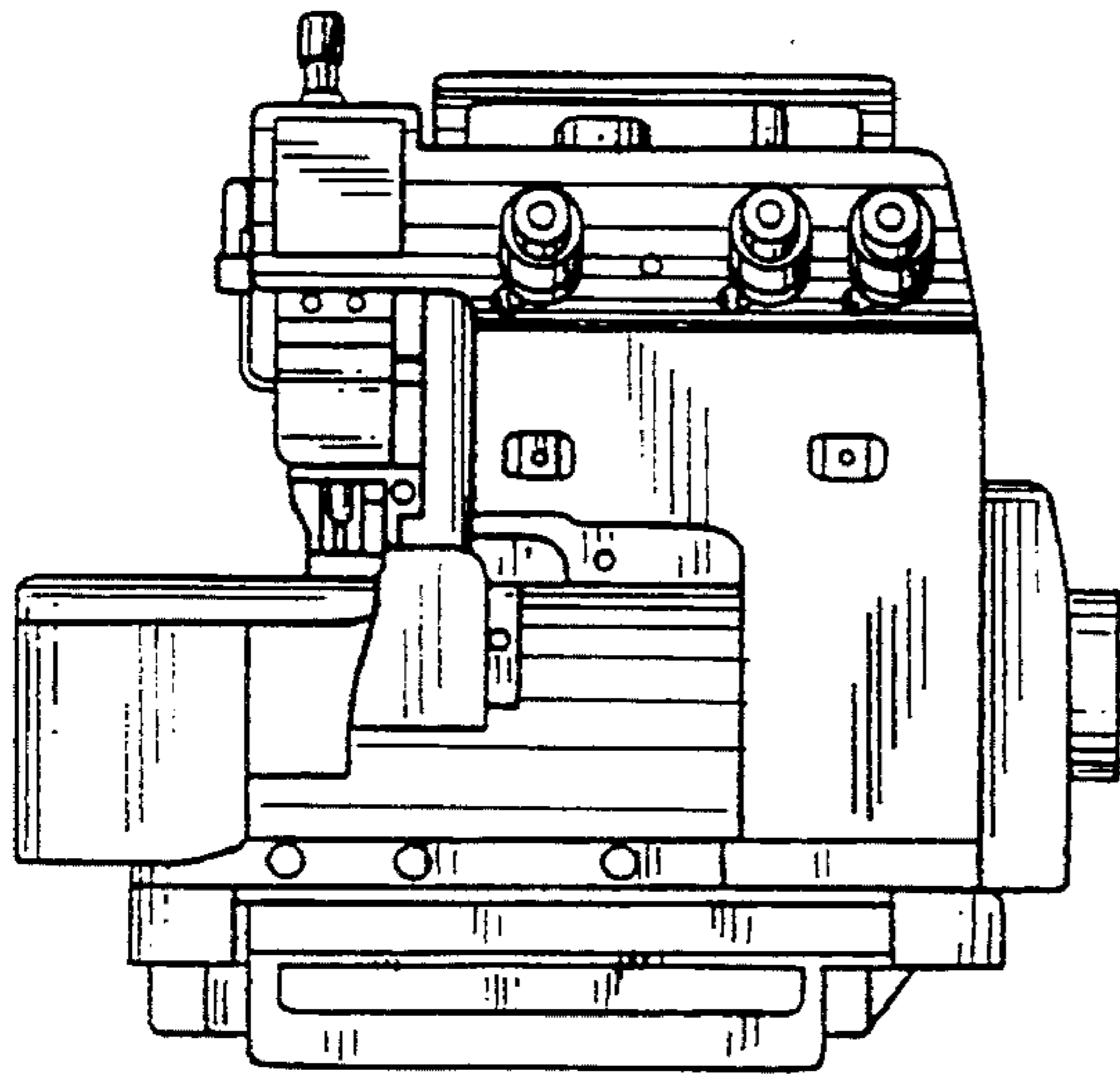


FIG. 3

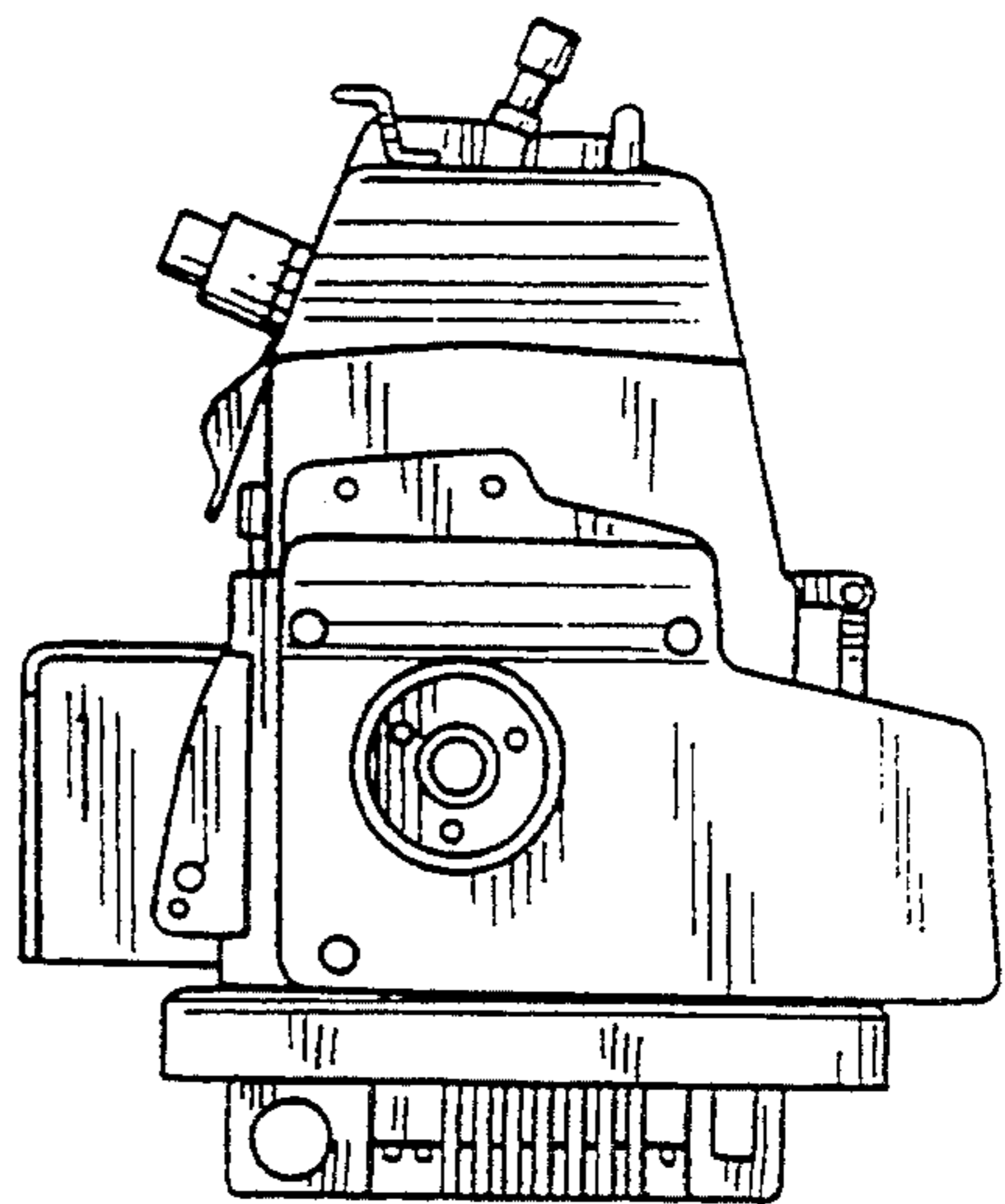


FIG. 5

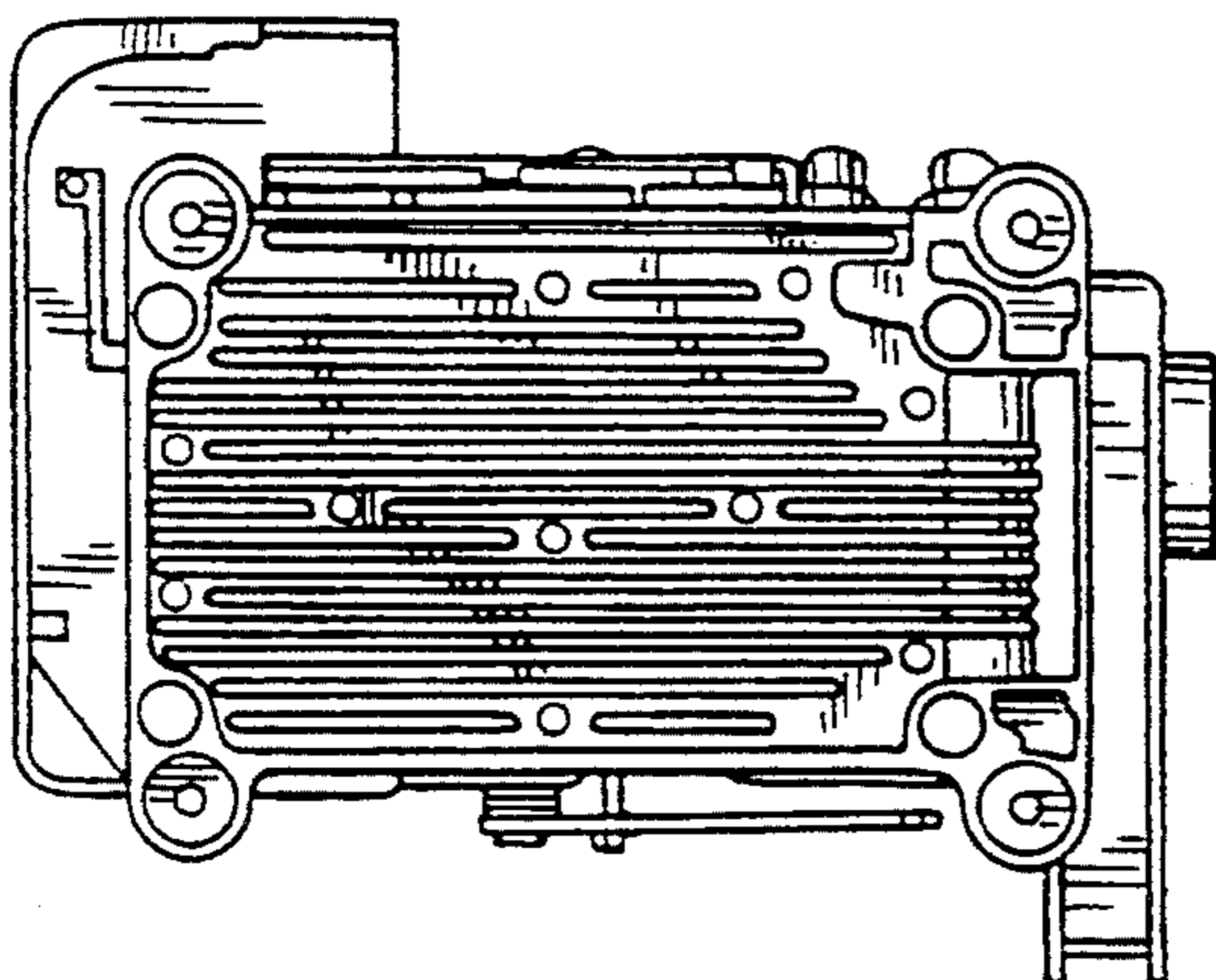


FIG. 4

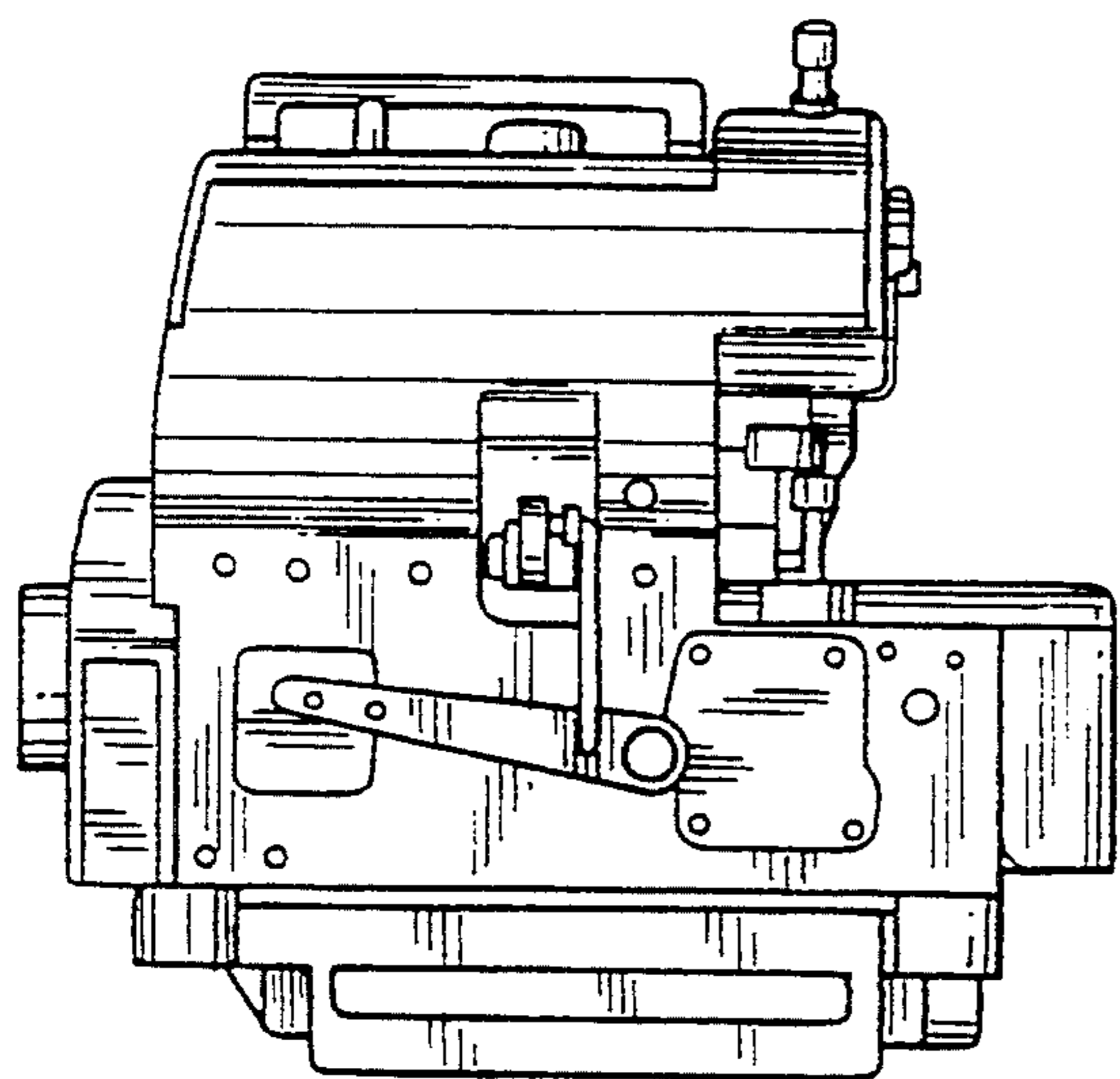


FIG. 6

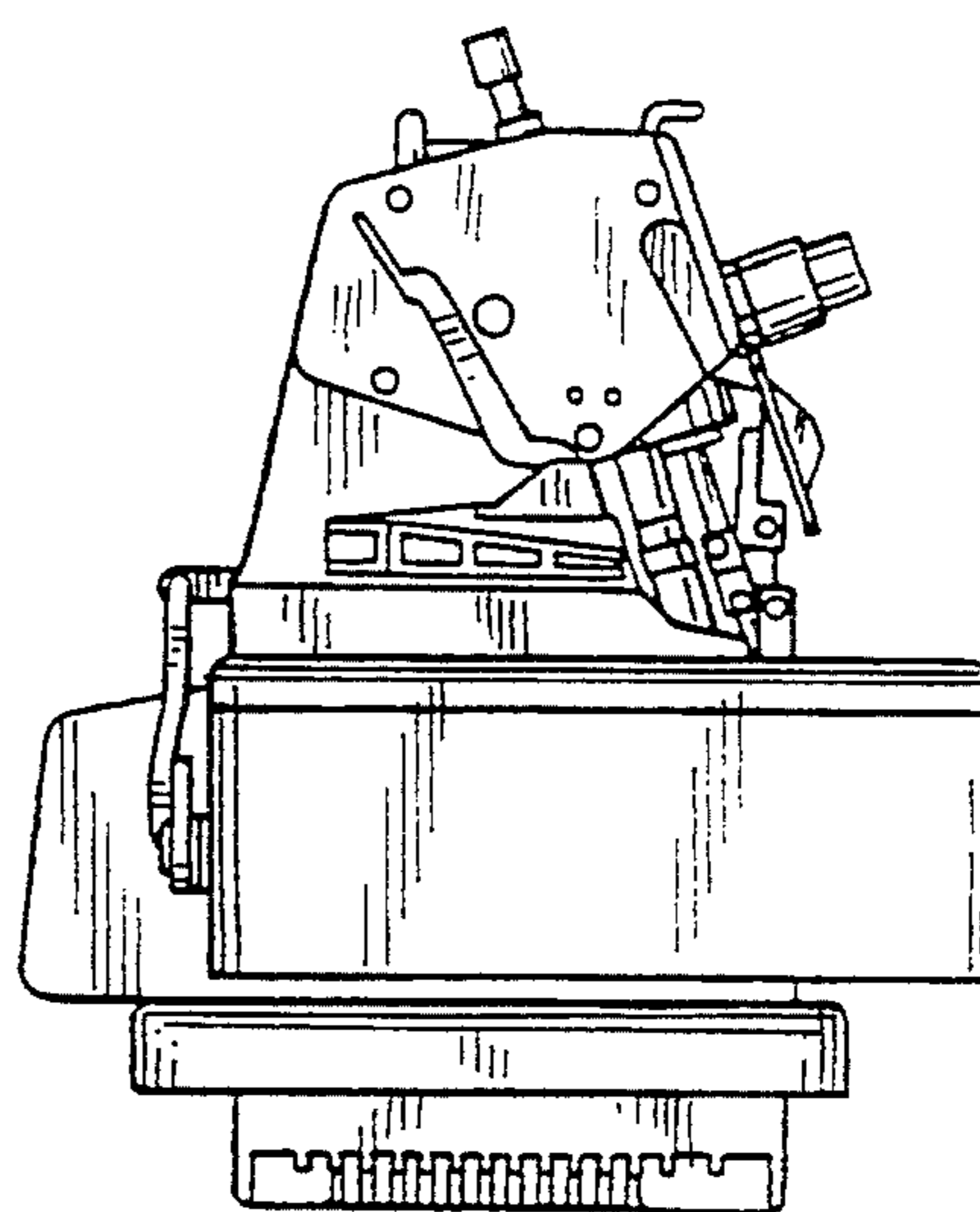


FIG. 7