



US00D361574S

# United States Patent [19]

[11] Patent Number: **Des. 361,574**

**Makino**

[45] Date of Patent: **\*\* Aug. 22, 1995**

[54] PUMP

[75] Inventor: **Michio Makino**, Funabashi, Japan

[73] Assignee: **Kaiyo Kogyo Kabushiki Kaisha**, Tokyo, Japan

[\*\*] Term: **14 Years**

[21] Appl. No.: **12,890**

[22] Filed: **Sep. 14, 1993**

[52] U.S. Cl. .... **D15/7**

[58] Field of Search ..... D23/231, 232, 213, 207; 417/234, 258, 321, 410 B, 415-416, 426, 535-537; 152/415-416, 426; D30/106; D15/7-8; D22/134; 210/242.2, 220; 261/77, 120, 123

4,472,113 9/1984 Roger ..... 417/321  
 4,702,830 10/1987 Makino et al. .... 210/220  
 4,752,421 6/1988 Makino ..... 261/120  
 4,911,838 3/1990 Tanaka ..... 210/242.2

*Primary Examiner*—Ralf T. Seifert  
*Attorney, Agent, or Firm*—Wenderoth, Lind & Ponack

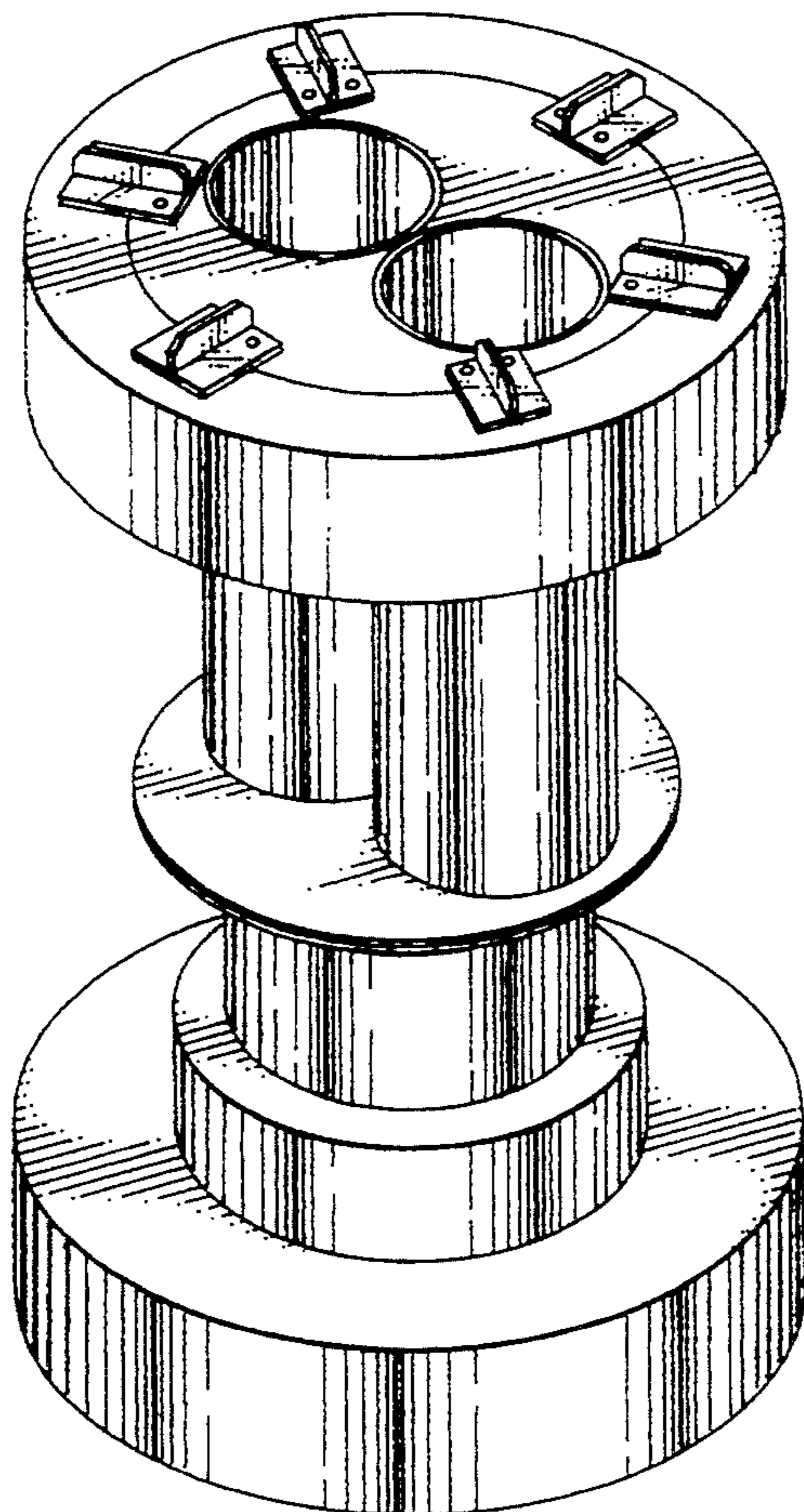
### [57] CLAIM

The ornamental design for a pump, as shown and described.

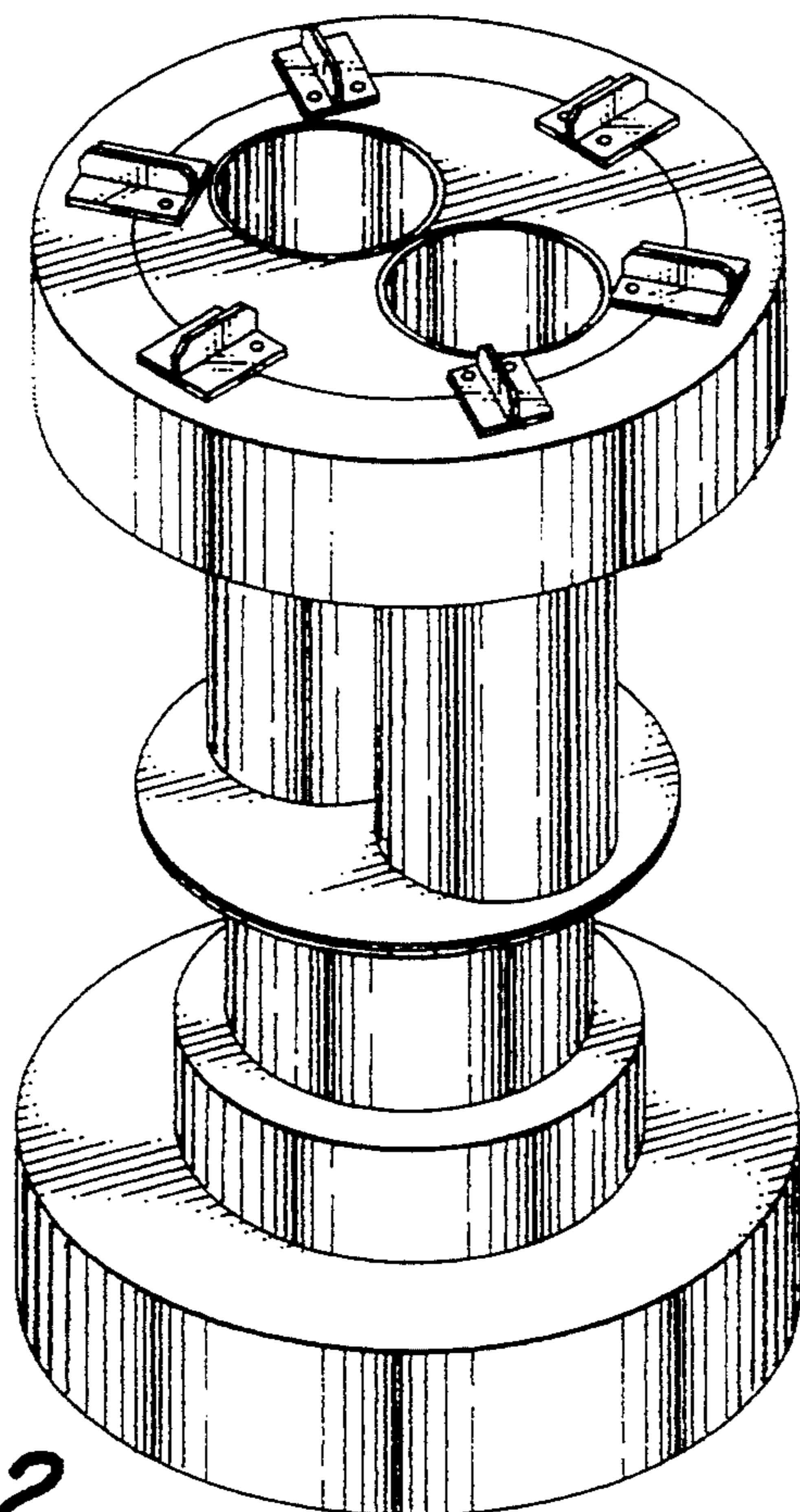
### DESCRIPTION

FIG. 1 is a top, front, left side perspective view of a pump showing my new design;  
 FIG. 2 is a front elevational view thereof, the rear elevational view being a mirror image;  
 FIG. 3 is a right side elevational view thereof, the left side elevational view being a mirror image;  
 FIG. 4 is a top plan view thereof;  
 FIG. 5 is a bottom plan view thereof; and,  
 FIG. 6 is a cross-sectional view thereof taken along line 6—6 in FIG. 3.

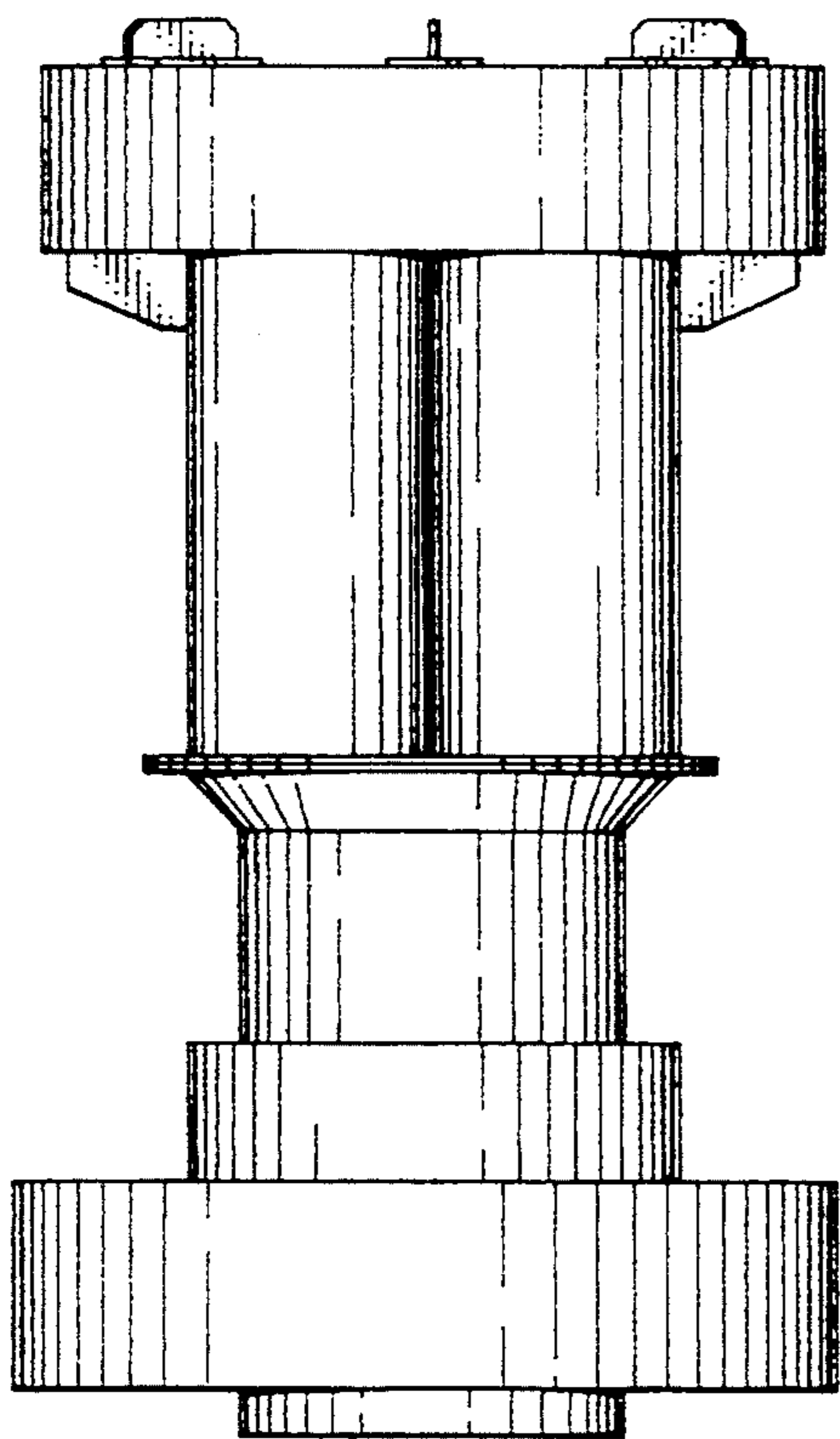
[56] **References Cited**  
**U.S. PATENT DOCUMENTS**  
 D. 208,618 9/1967 Munch ..... D23/213  
 D. 324,279 2/1992 Gross ..... D3/106



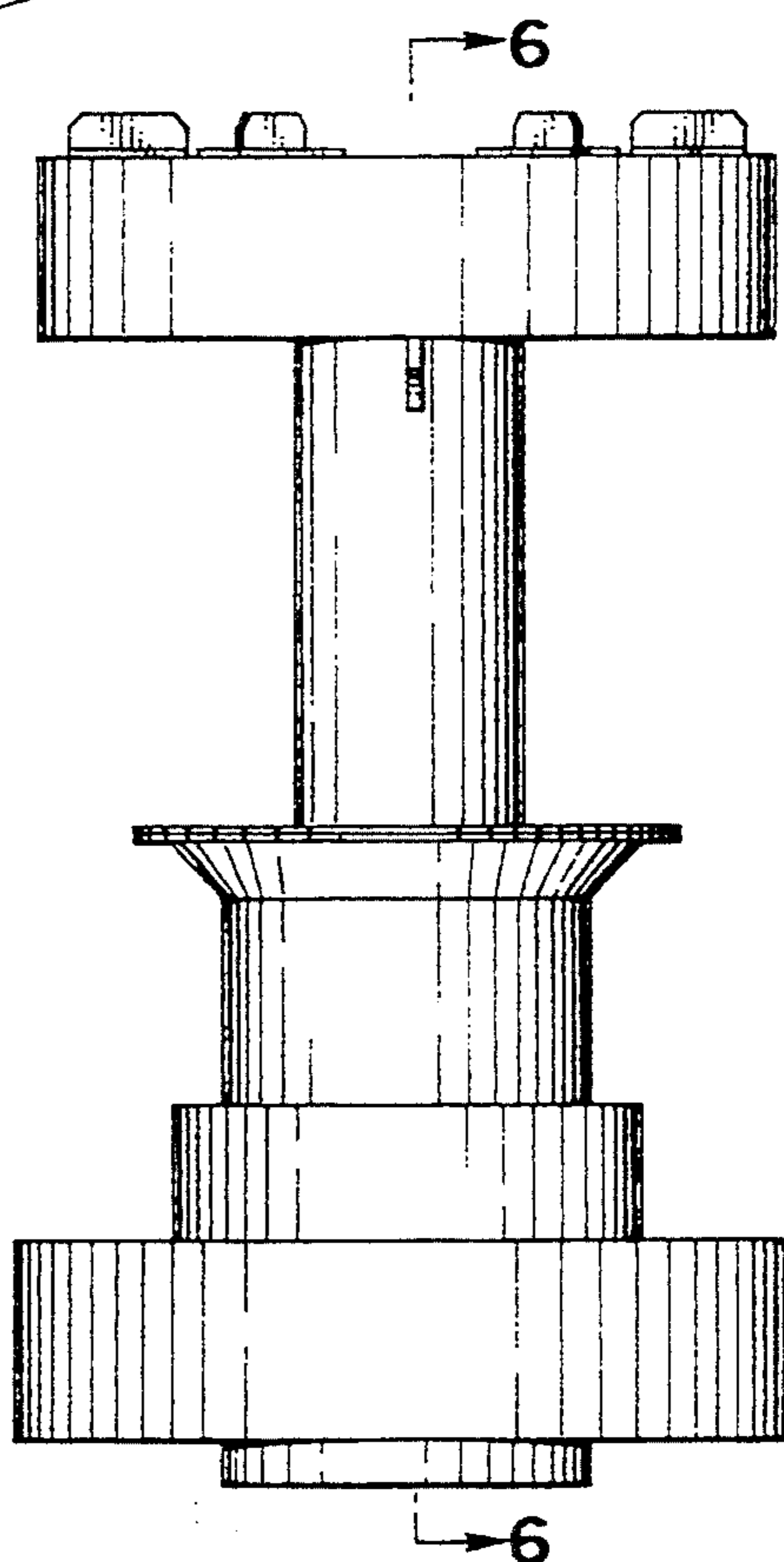
**FIG. 1**



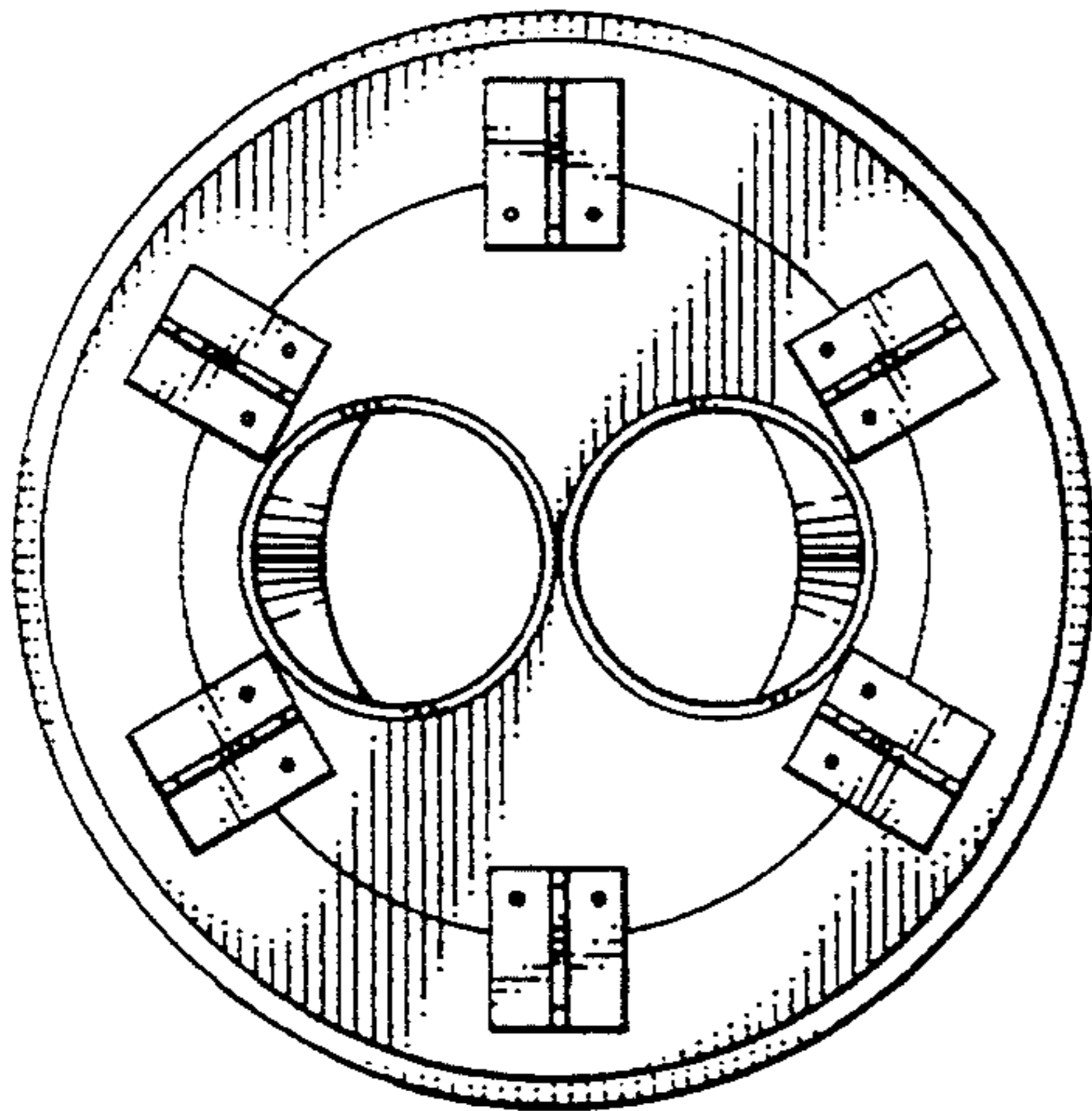
**FIG. 2**



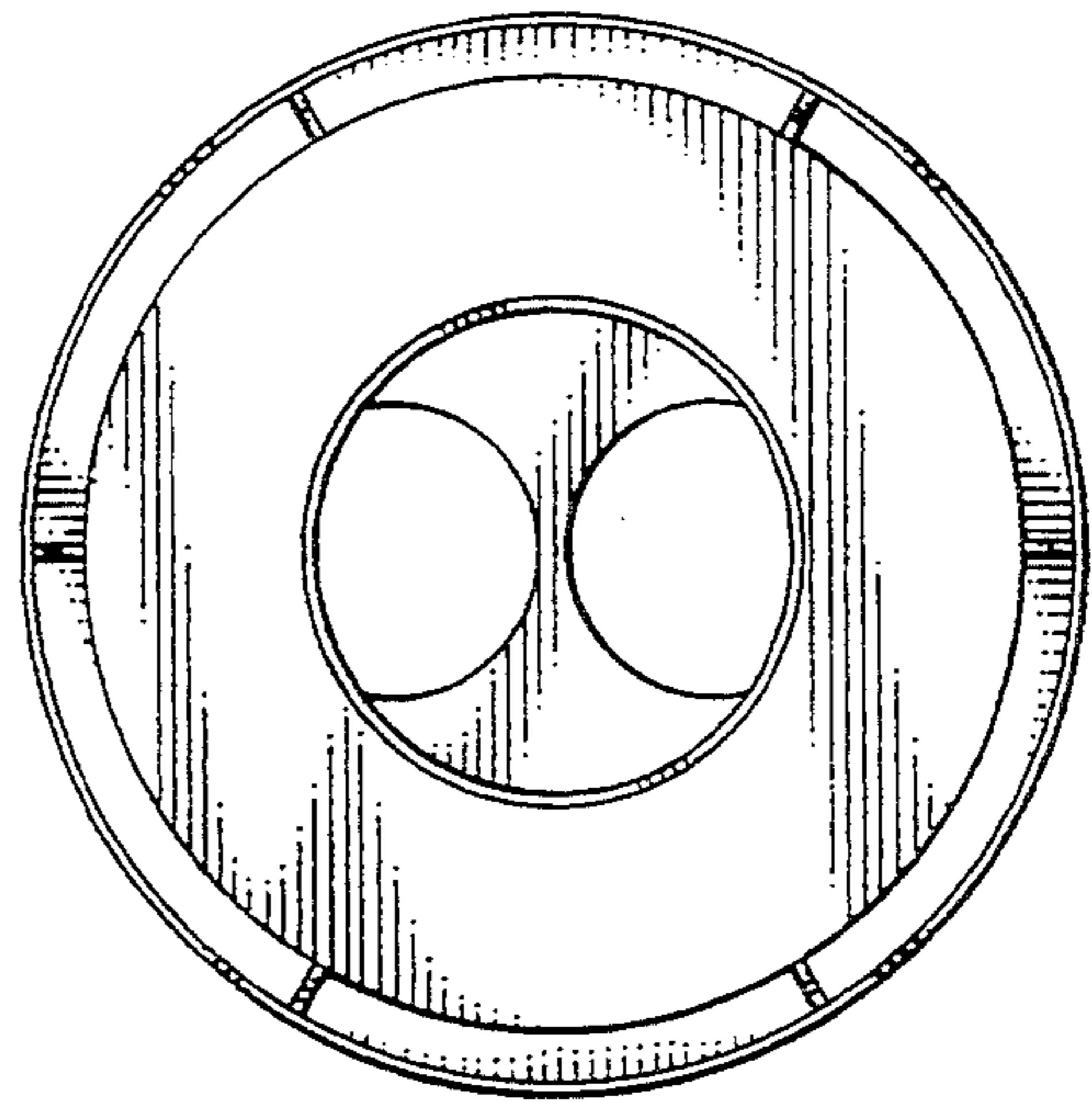
**FIG. 3**



**FIG. 4**



**FIG. 5**



**FIG. 6**

