



US00D361568S

United States Patent [19]

[11] Patent Number: Des. 361,568

Kepley, III et al.

[45] Date of Patent: ** Aug. 22, 1995

[54] AIRPLANE TELEPHONE SET

[75] Inventors: **Walter R. Kepley, III**, Gaithersburg; **Dana J. Greer**, Frederick, both of Md.; **Richard A. Shields, Jr.**, Bellevue, Wash.

[73] Assignee: **Claircom Communications Group, L.P.**, Seattle, Wash.

[**] Term: **14 Years**

[21] Appl. No.: **7,592**

[22] Filed: **Mar. 26, 1993**

[52] U.S. Cl. **D14/148; D14/142**

[58] Field of Search D14/137, 138, 140, 142, D14/146, 147, 148, 149, 150, 151, 240, 248; 379/455, 454, 438, 428, 419, 420, 440, 58-61

[56] References Cited

U.S. PATENT DOCUMENTS

D. 297,733	9/1988	Watanabe	D14/138
D. 322,438	12/1991	Skowronski	D14/138 X
D. 339,803	9/1993	Ditzig et al.	D14/147
D. 340,452	10/1993	Skowronski	D14/148
4,868,862	9/1989	Ryoichi et al.	379/438 X
5,155,766	10/1992	Skowronski	379/438
5,157,722	10/1992	Hollowed et al.	379/455 X

Primary Examiner—Jeffrey Asch

Attorney, Agent, or Firm—Knobbe, Martens, Olson & Bear

[57] CLAIM

The ornamental design for an airplane telephone set, as shown and described.

DESCRIPTION

FIG. 1 is an isometric view of the airplane telephone set with the handset thereof lifted and inverted;

FIG. 2 is an isometric view of the airplane telephone set with the handset in a storage location;

FIG. 3 is a top view of the airplane telephone set with the handset in a storage location;

FIG. 4 is a top view of the airplane telephone set with the handset lifted;

FIG. 5 is a side view of the airplane telephone set with the handset in storage location;

FIG. 6 is a right side view of the airplane telephone set with the handset lifted;

FIG. 7 is a left side view of the airplane telephone set handset lifted;

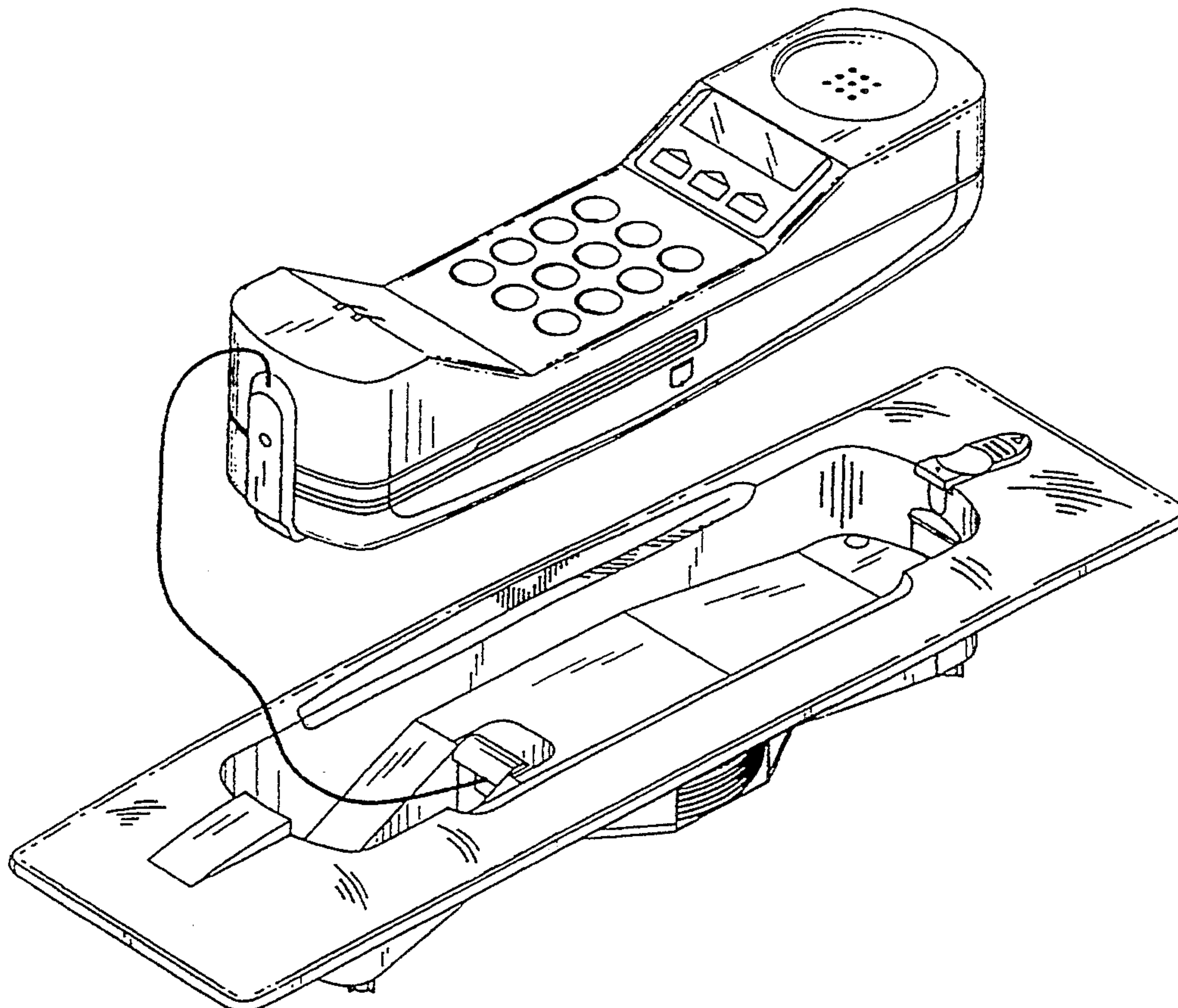
FIG. 8 is a view of the first end of the airplane telephone set with the handset in a storage location;

FIG. 9 is a view of the first end of the airplane telephone set with the handset lifted;

FIG. 10 is a view of the second end of the airplane telephone set with the handset in a storage location;

FIG. 11 is a view of the second end of the airplane telephone set with the handset in storage location; and,

FIG. 12 is a bottom view of the airplane telephone set with the handset lifted.



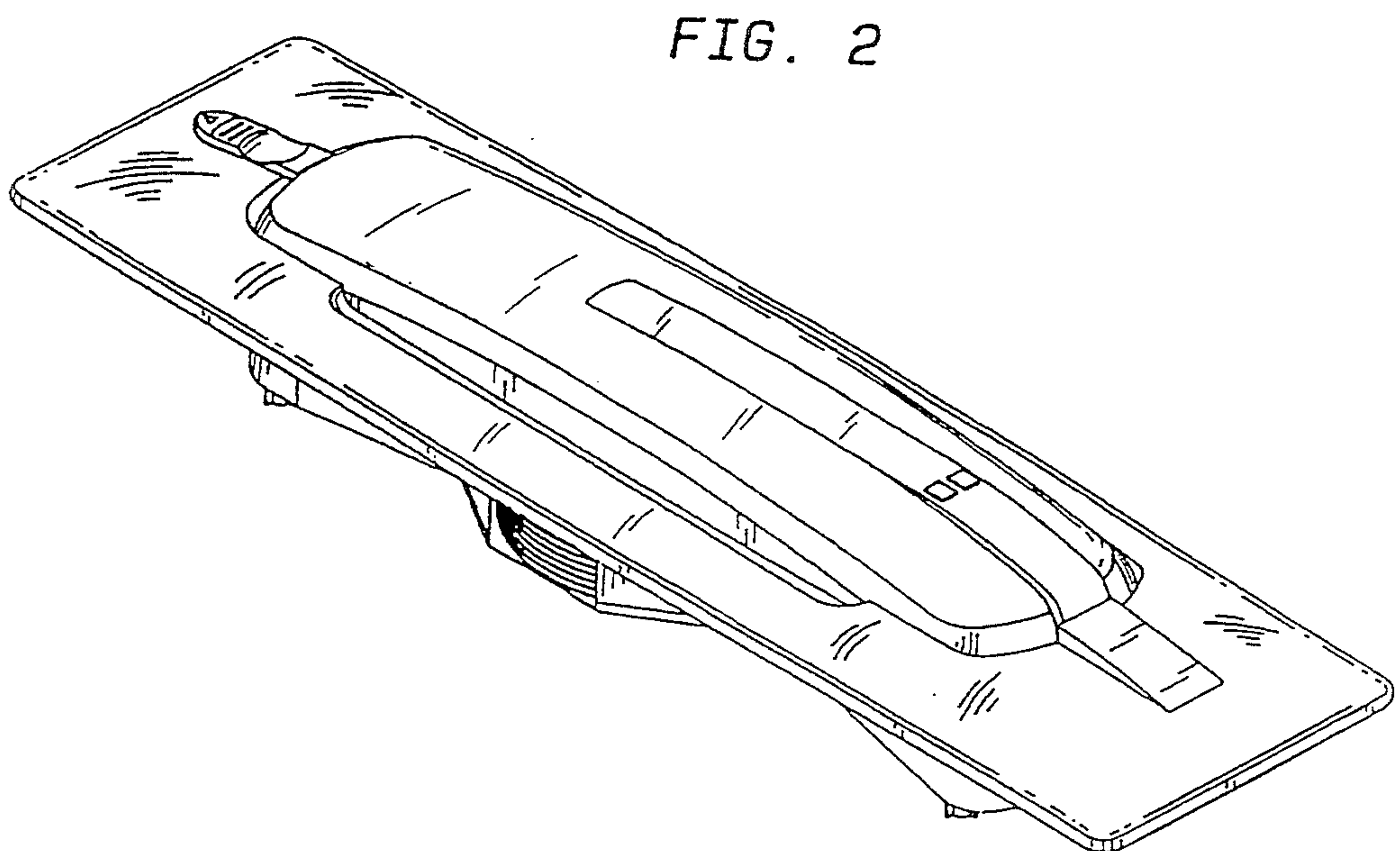
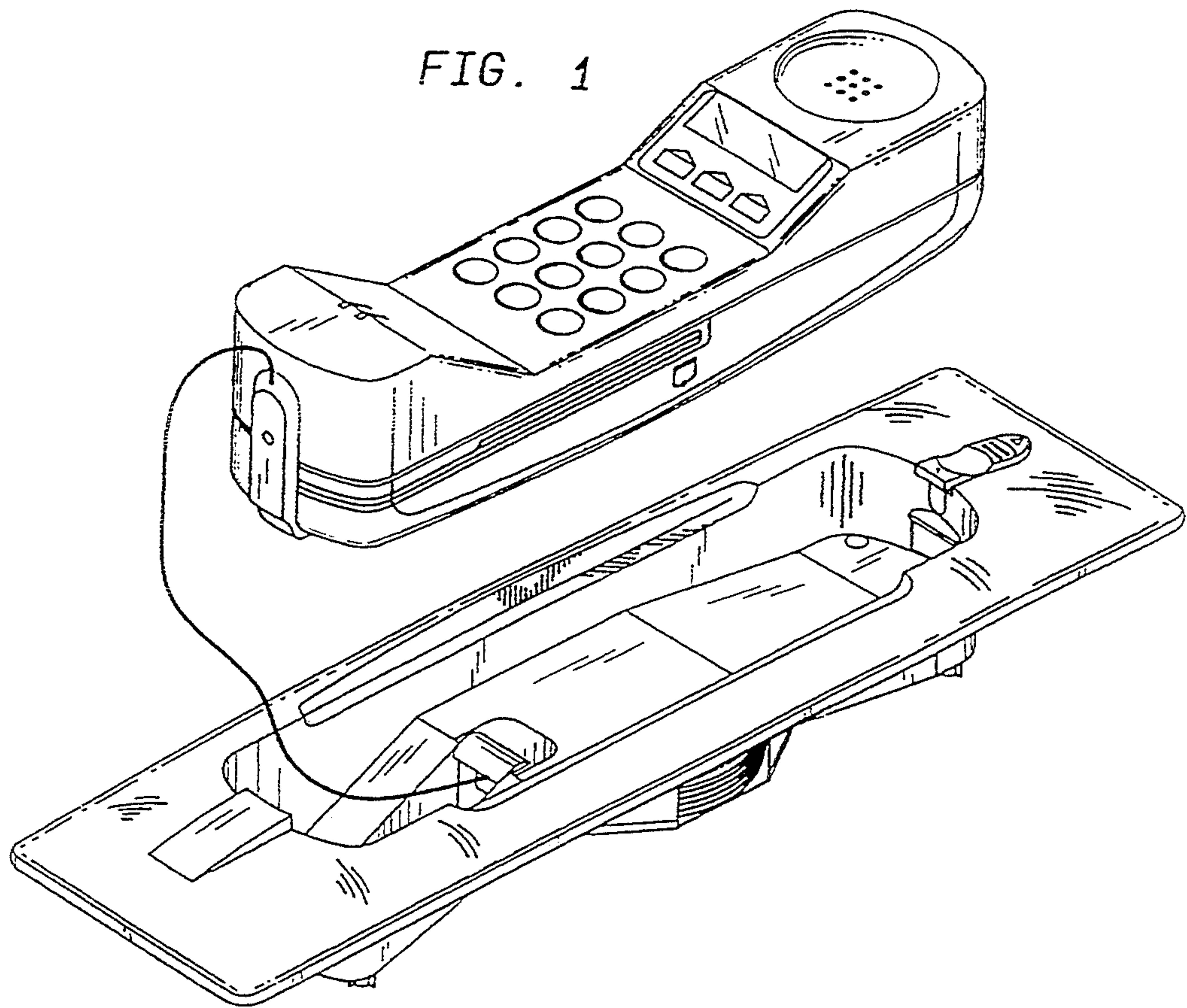


FIG. 3

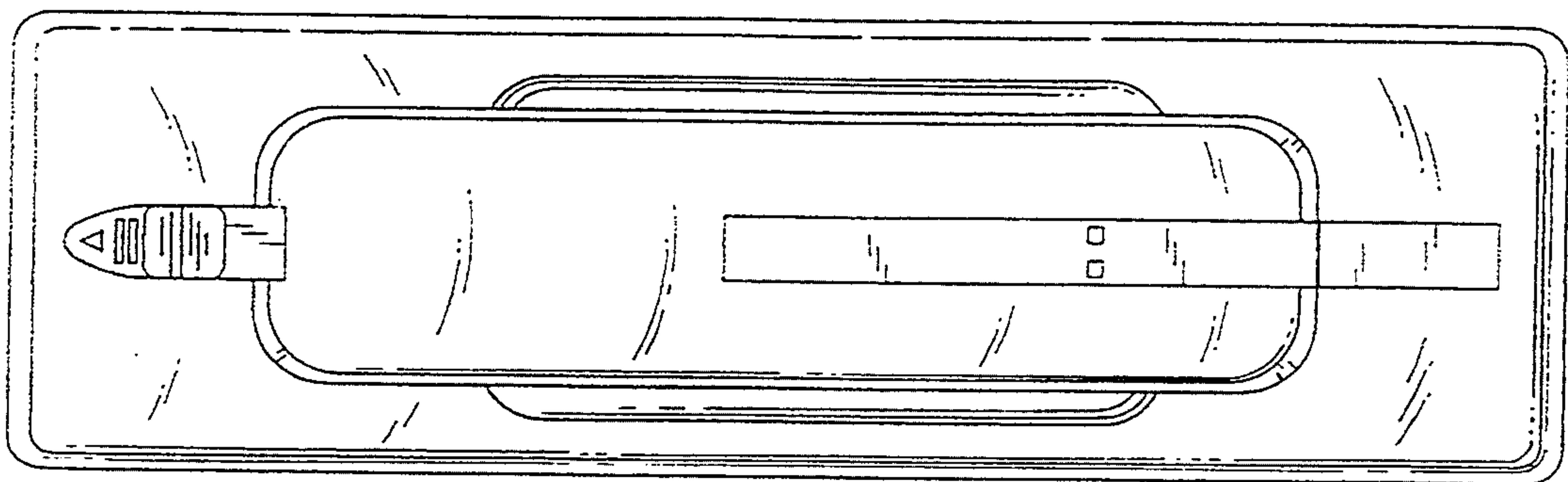


FIG. 4

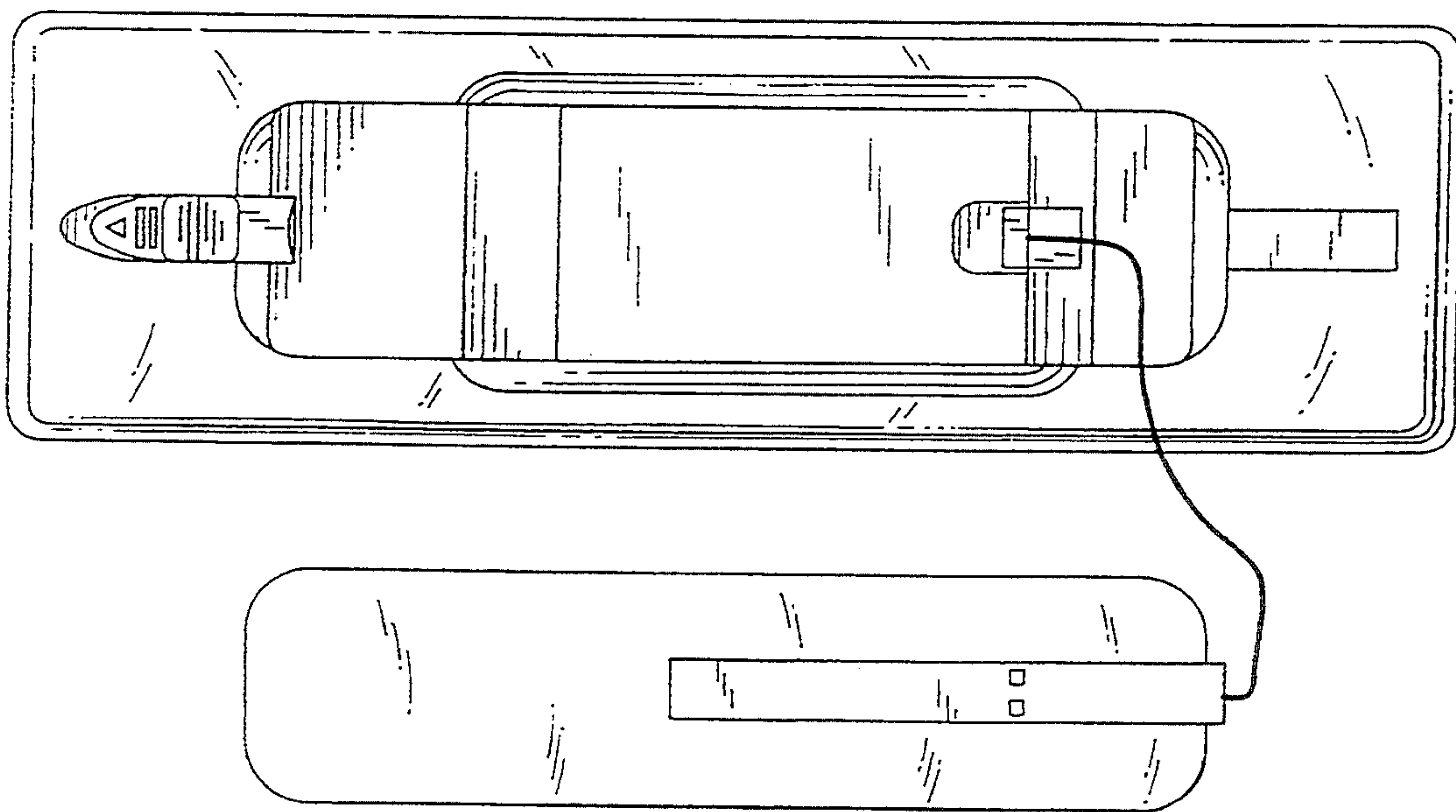


FIG. 5

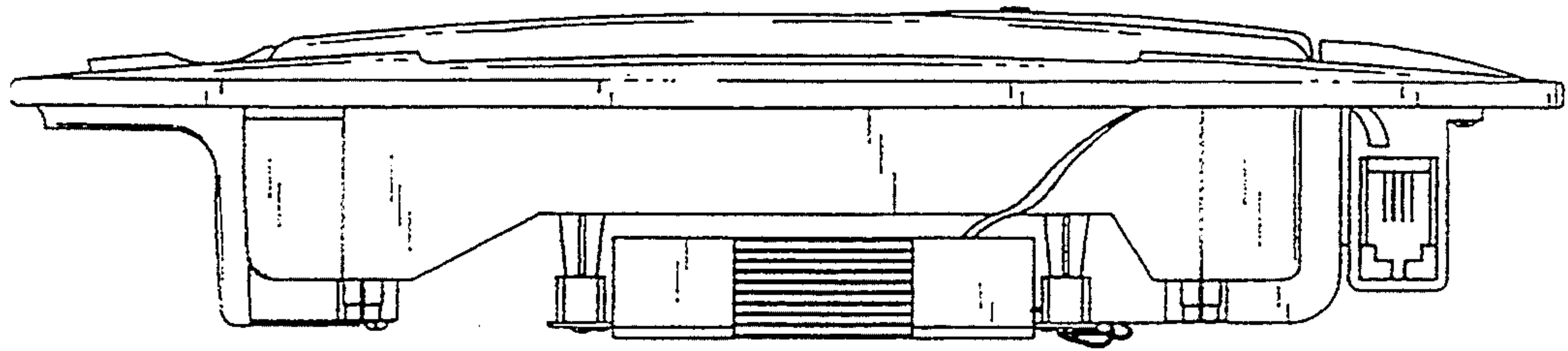


FIG. 6

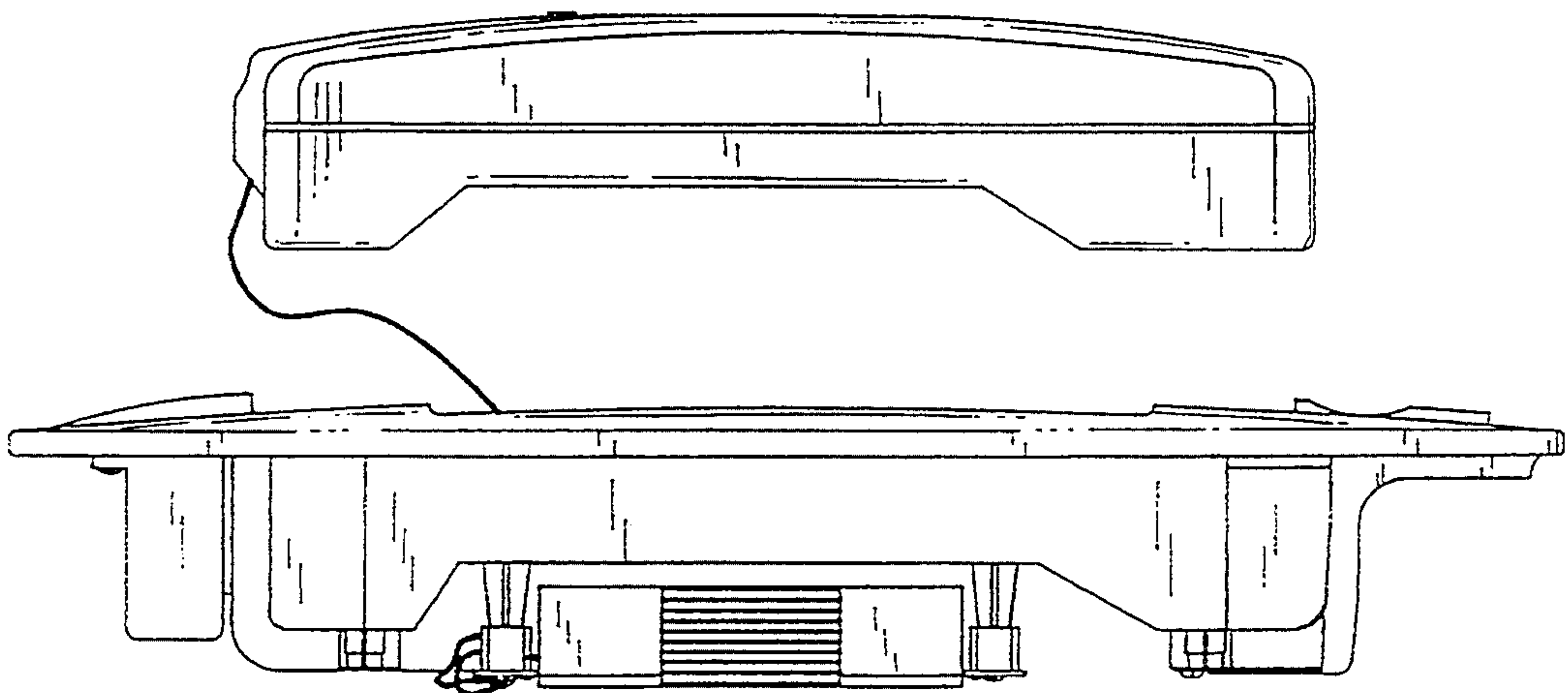


FIG. 7

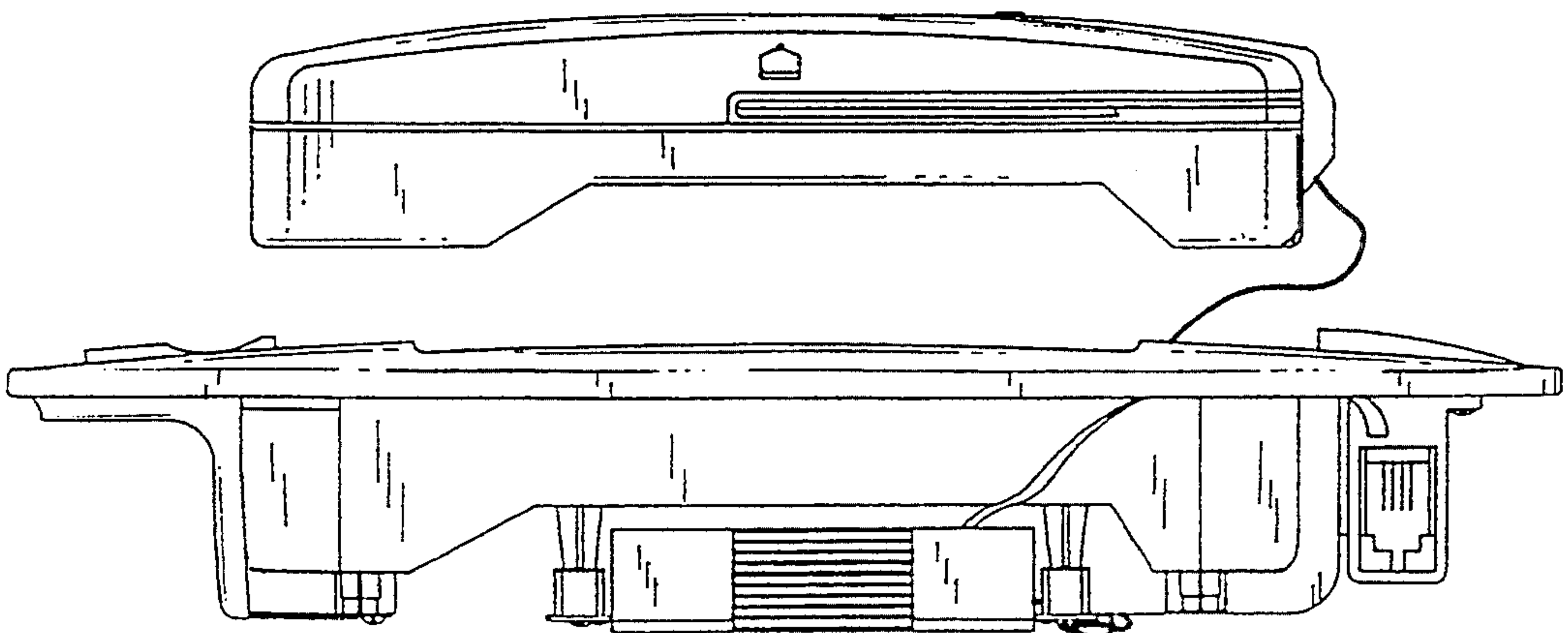


FIG. 8

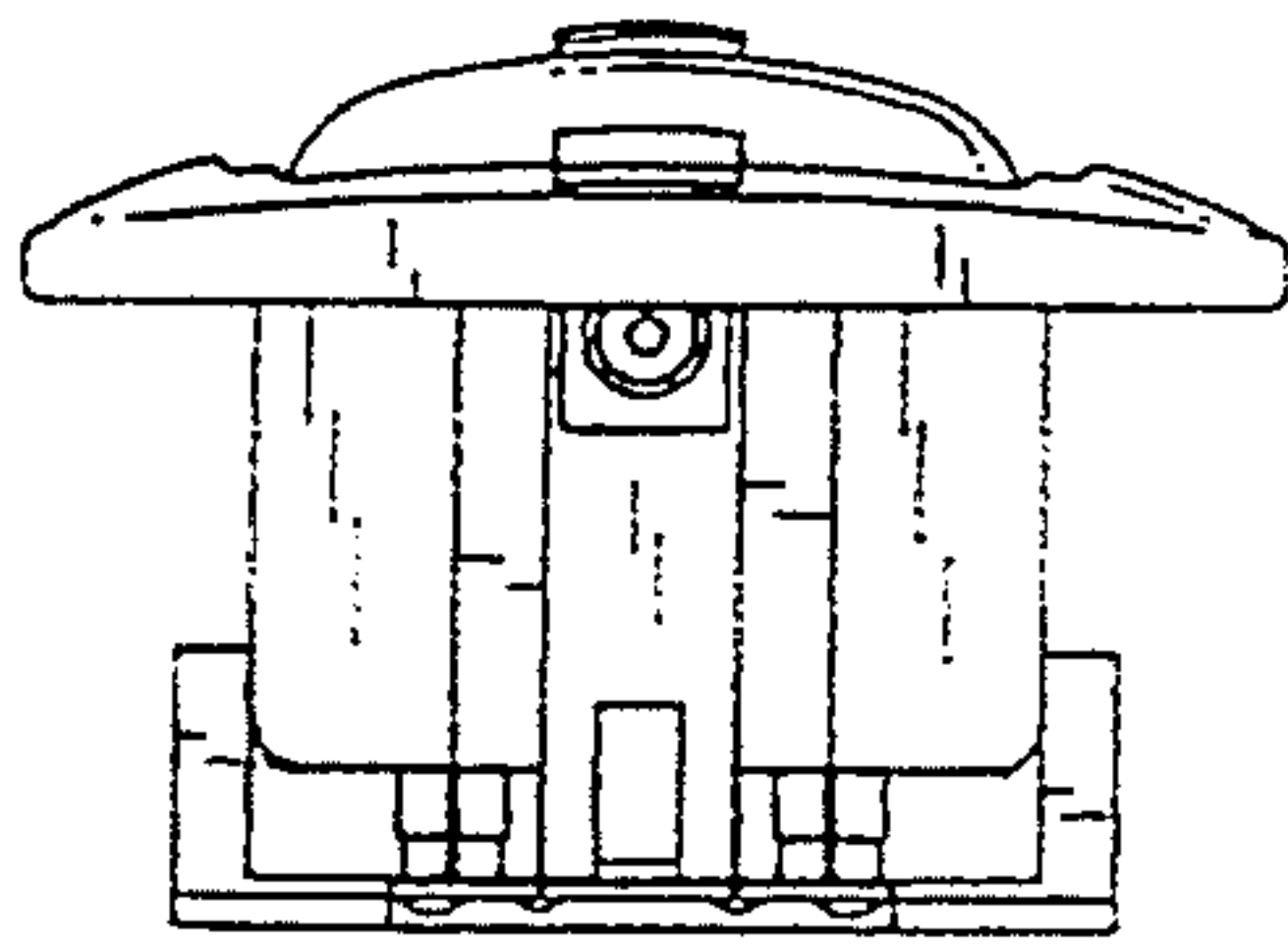


FIG. 10

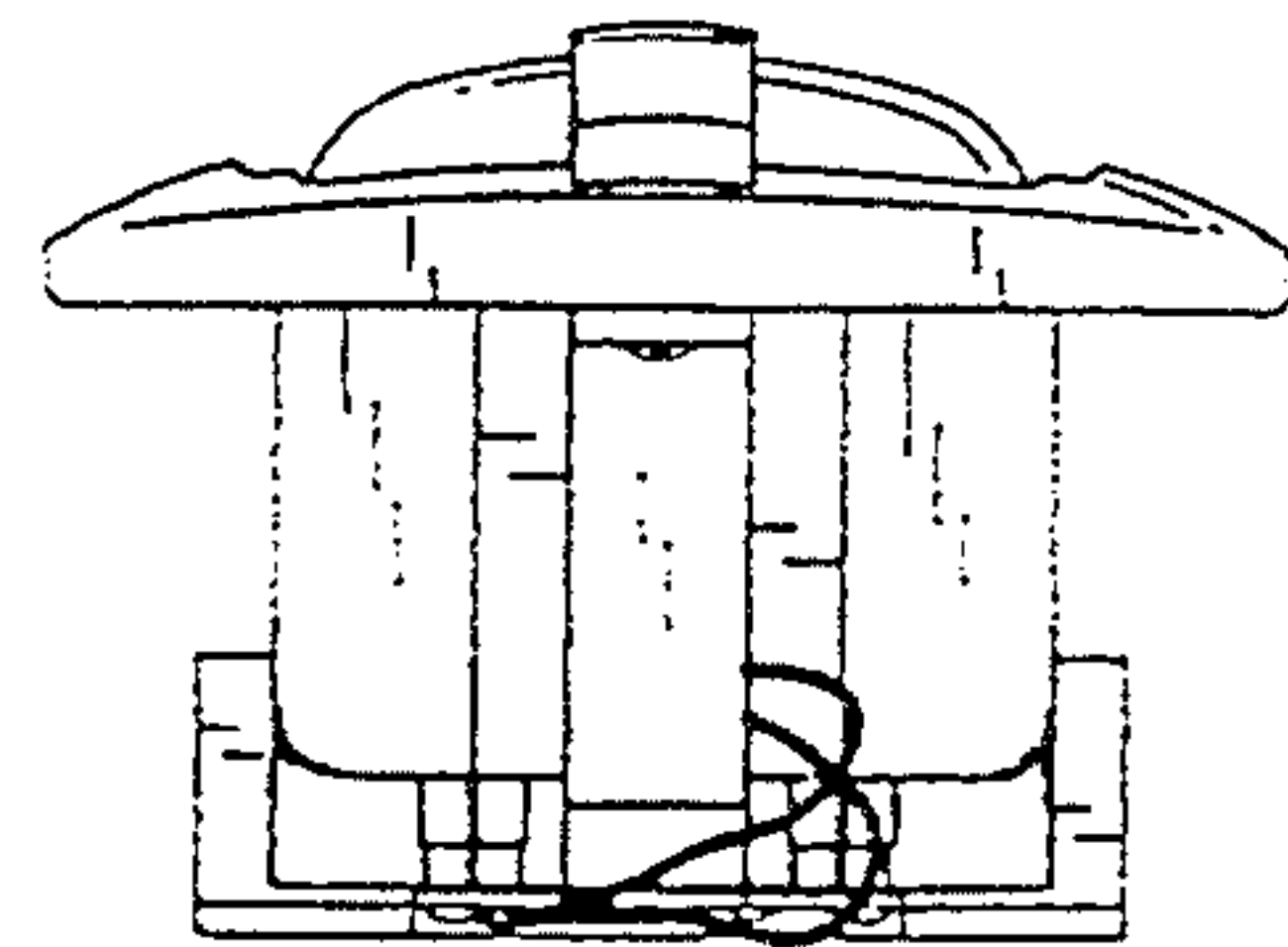


FIG. 9

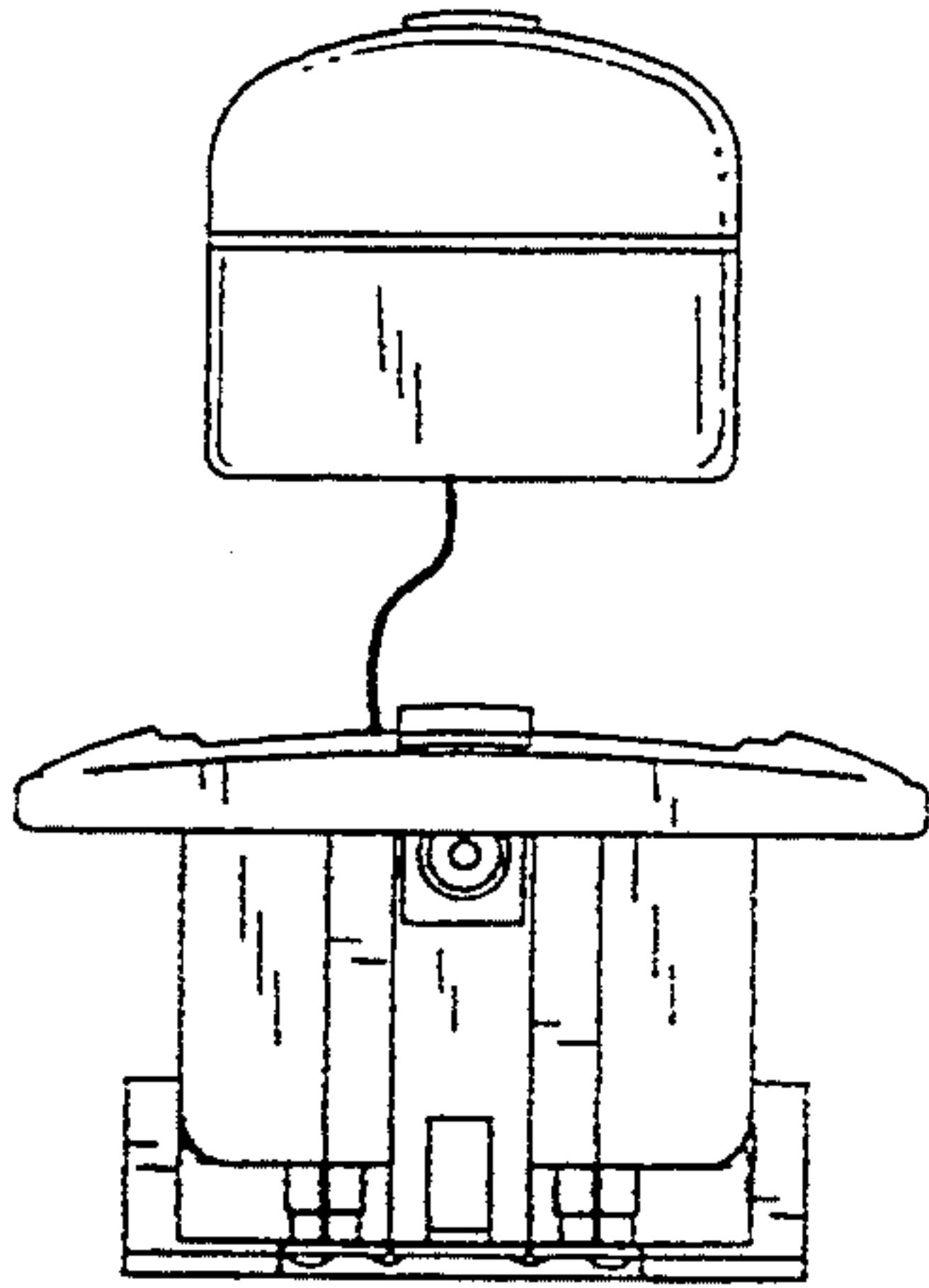


FIG. 11

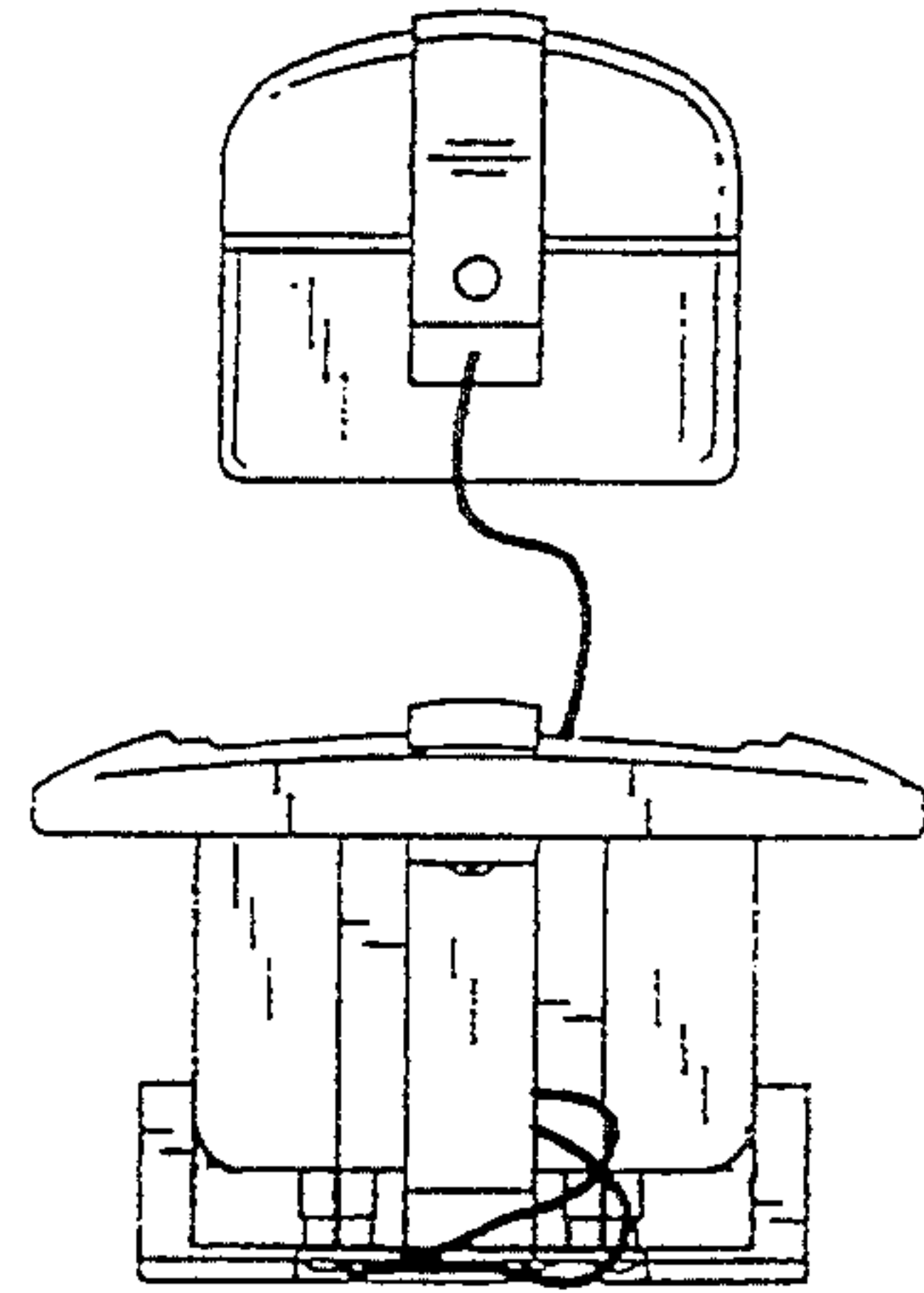


FIG. 12

