



US00D361566S

United States Patent [19]

[11] Patent Number: **Des. 361,566**

Ito et al.

[45] Date of Patent: **** Aug. 22, 1995**

[54] **VIDEO TAPE RECORDER**

D. 304,334 10/1989 Ohya et al. D14/135

[75] Inventors: **Masafumi Ito**, Tokyo; **Shigeru Hasegawa**, Kodaira; **Katsuhiko Takashima**, Urawa; **Yasunobu Shimizu**, Tokyo, all of Japan

FOREIGN PATENT DOCUMENTS

658485 5/1985 Japan .

[73] Assignee: **Teac Corporation**, Tokyo, Japan

OTHER PUBLICATIONS

Video Review, Jun. 1987, p. 78, Left Center—Shinton portable VHS player.

[**] Term: **14 Years**

Primary Examiner—Theodore M. Shooman
Attorney, Agent, or Firm—Michael N. Meller

[21] Appl. No.: **15,866**

[22] Filed: **Dec. 1, 1993**

[57] **CLAIM**

The ornamental design for a video tape recorder, as shown and described.

[30] **Foreign Application Priority Data**

Jun. 2, 1993 [JP] Japan 5-16273

DESCRIPTION

[52] U.S. Cl. **D14/135**

[58] Field of Search D14/124, 135, 136, 156, D14/299

FIG. 1 is a plan view of video tape recorder showing our new design;

FIG. 2 is a bottom view thereof;

FIG. 3 is a front view thereof;

FIG. 4 is a rear view thereof;

FIG. 5 is a left side view thereof;

FIG. 6 is a right side view thereof; and,

FIG. 7 is a perspective view of the recorder with the tape cassette lid open.

[56] **References Cited**

U.S. PATENT DOCUMENTS

D. 275,389 9/1984 Takanaga et al. D14/135

D. 275,390 9/1984 Shibata et al. D14/135

D. 299,919 2/1989 Fukutomi D14/135

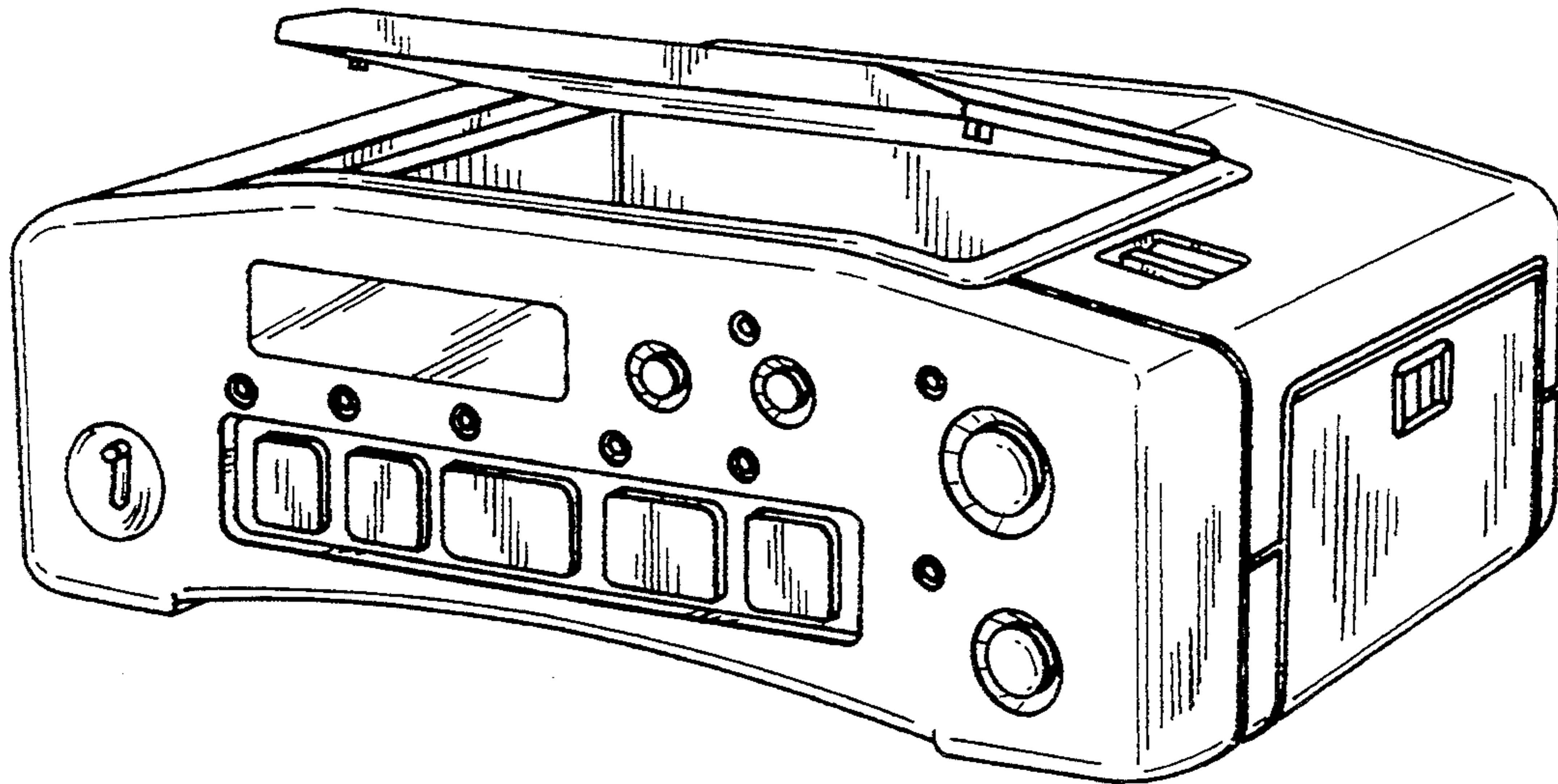


FIG. 1

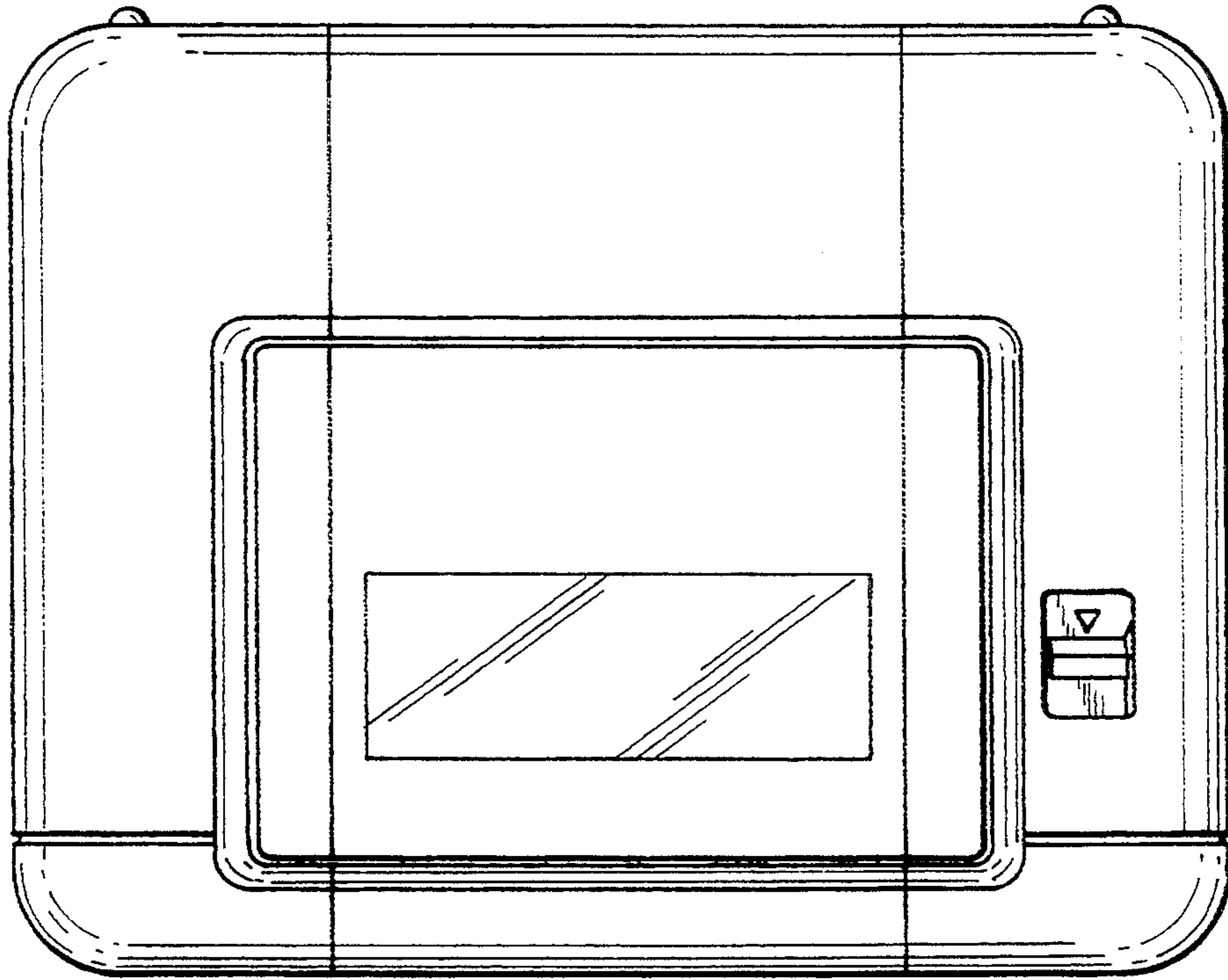


FIG. 2

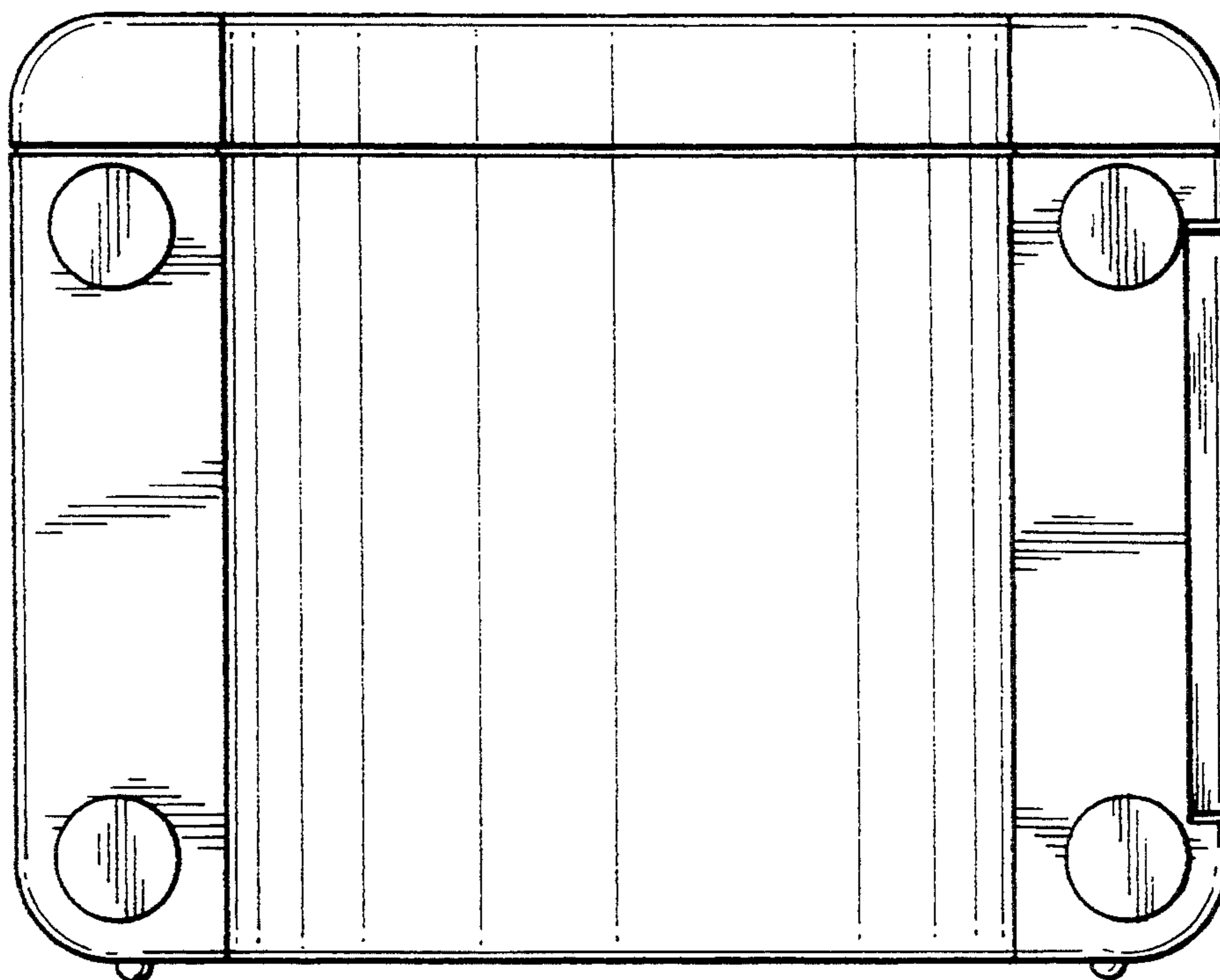


FIG. 3

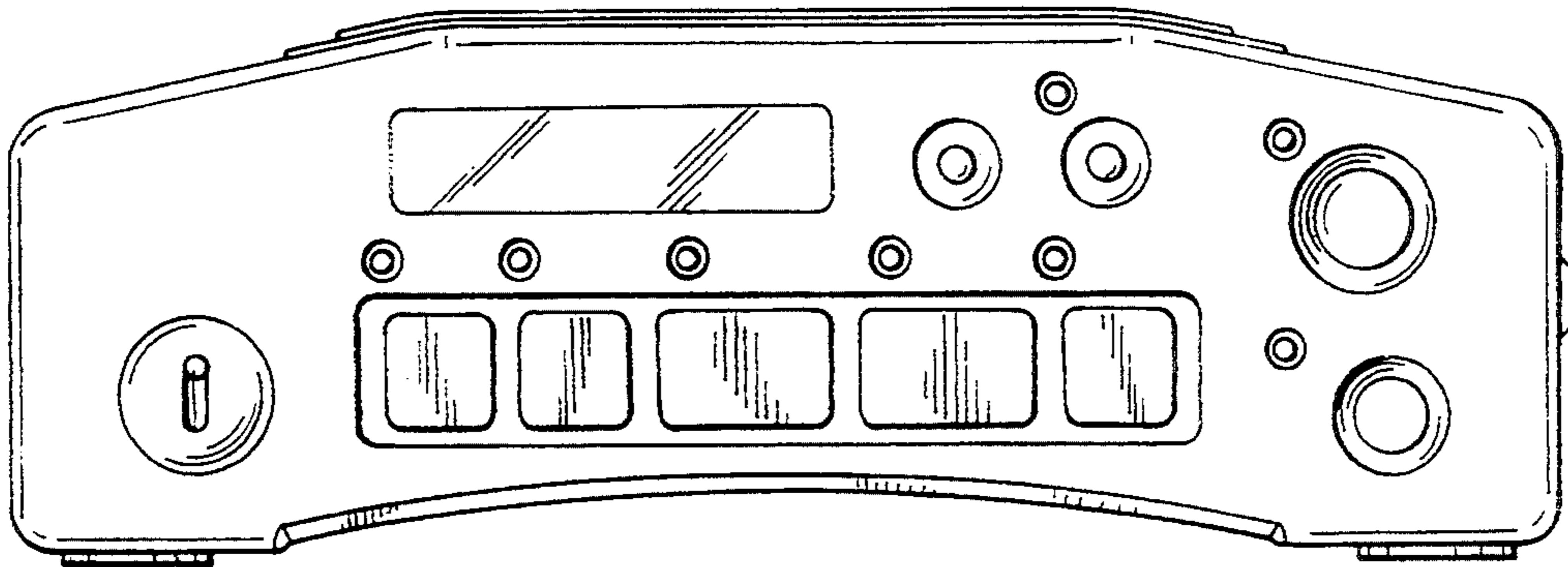


FIG. 4

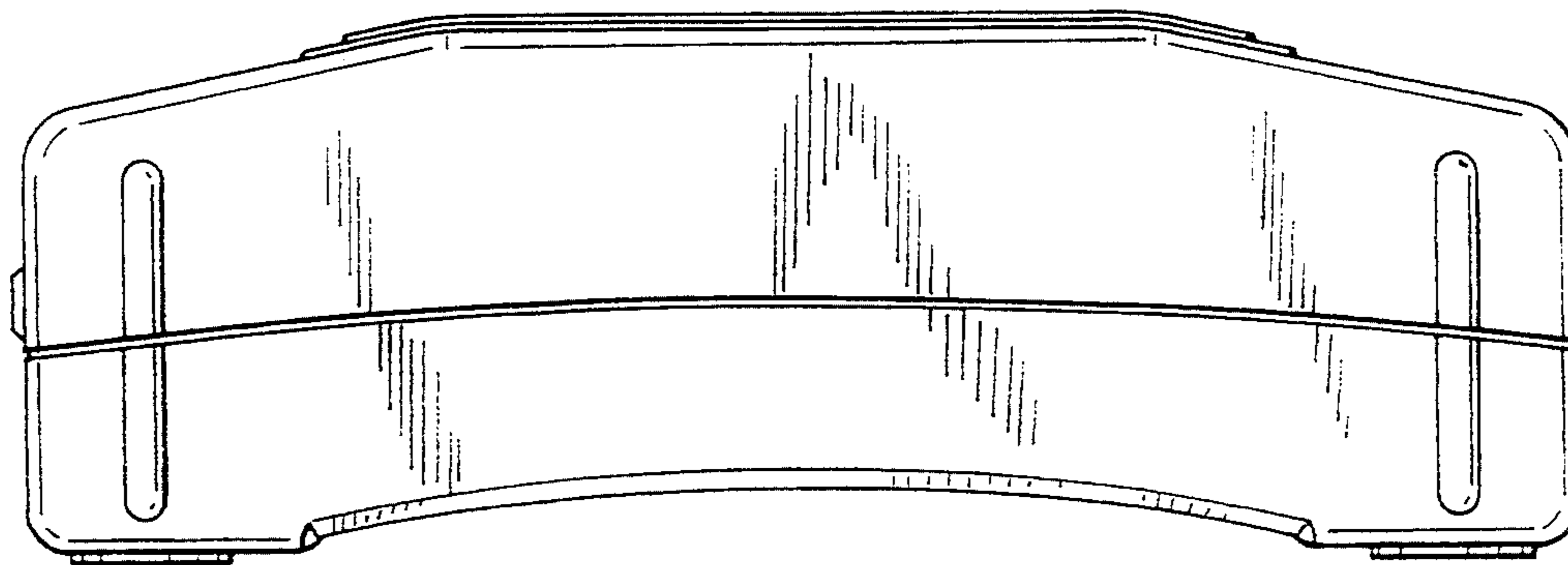


FIG. 5

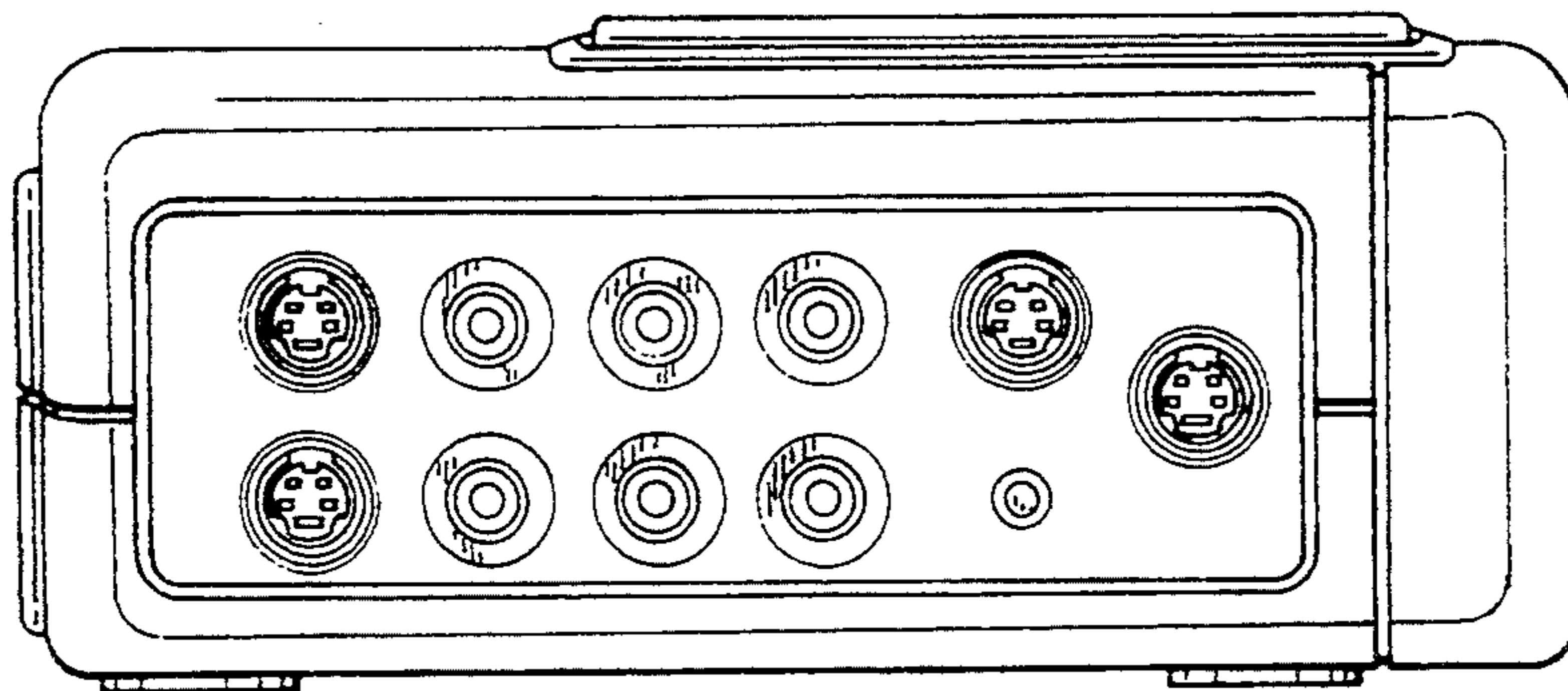


FIG. 6

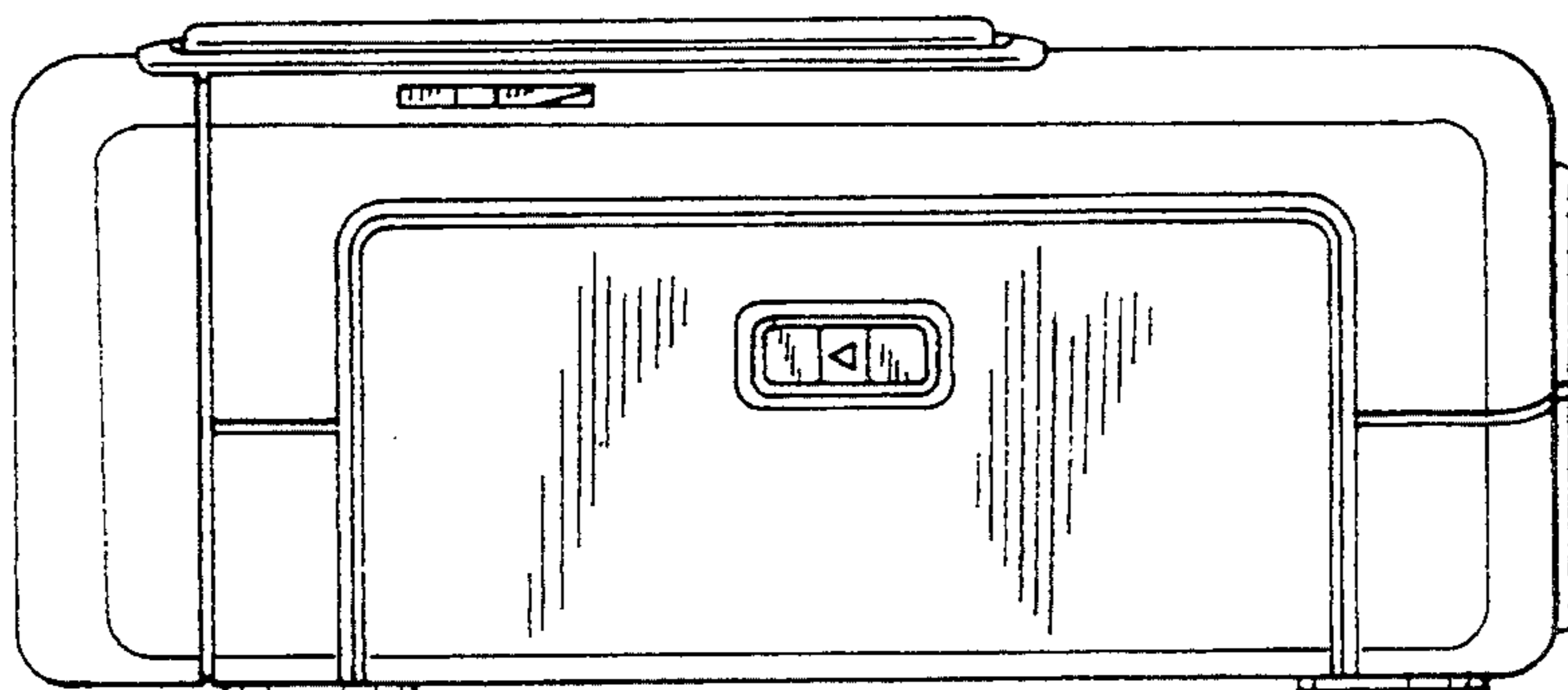


FIG. 7

