



US00D361564S

United States Patent [19]

Inaba

[11] Patent Number: **Des. 361,564**

[45] Date of Patent: **** Aug. 22, 1995**

[54] **BARCODE READER**

[75] Inventor: **Toshiya Inaba, Tokyo, Japan**

[73] Assignees: **Mitsubishi Corporation; Asahi Kogaku Kogyo Kabushiki Kaisha, both of Tokyo, Japan**

[**] Term: **14 Years**

[21] Appl. No.: **23,112**

[22] Filed: **May 18, 1994**

[30] **Foreign Application Priority Data**

Nov. 19, 1993 [JP]	Japan	5-35170
[52] U.S. Cl.		D14/116
[58] Field of Search		D14/114, 116; D19/41-51; 235/375, 378, 385, 454, 462, 472, 486; 354/80-82; 382/58-69; 250/203.1, 216, 566, 568; D6/37, 45, 50

[56] **References Cited**

U.S. PATENT DOCUMENTS

D. 295,416	4/1988	Glaberson	D14/116
D. 297,431	8/1988	Beard et al.	D14/116
D. 318,291	7/1991	Ohnumata	D14/116 X
D. 319,228	8/1991	Mori et al.	D14/116
D. 343,829	2/1994	Okuda et al.	D14/116
D. 352,939	11/1994	Karlin	D14/116
5,065,003	11/1991	Wakatsuki et al.	D14/116 X

Primary Examiner—Melanie H. Tung
Attorney, Agent, or Firm—Sughrue, Mion, Zinn, Macpeak & Seas

[57] **CLAIM**

The ornamental design for a barcode reader, as shown.

DESCRIPTION

FIG. 1 is a perspective view of the top, front and right side of a barcode reader showing my new design;
 FIG. 2 is a front elevational view thereof;
 FIG. 3 is a rear elevational view thereof;
 FIG. 4 is a right side elevational view thereof;
 FIG. 5 is a top plan view thereof;
 FIG. 6 is a bottom plan view thereof; and,
 FIG. 7 is a left side elevational view thereof.

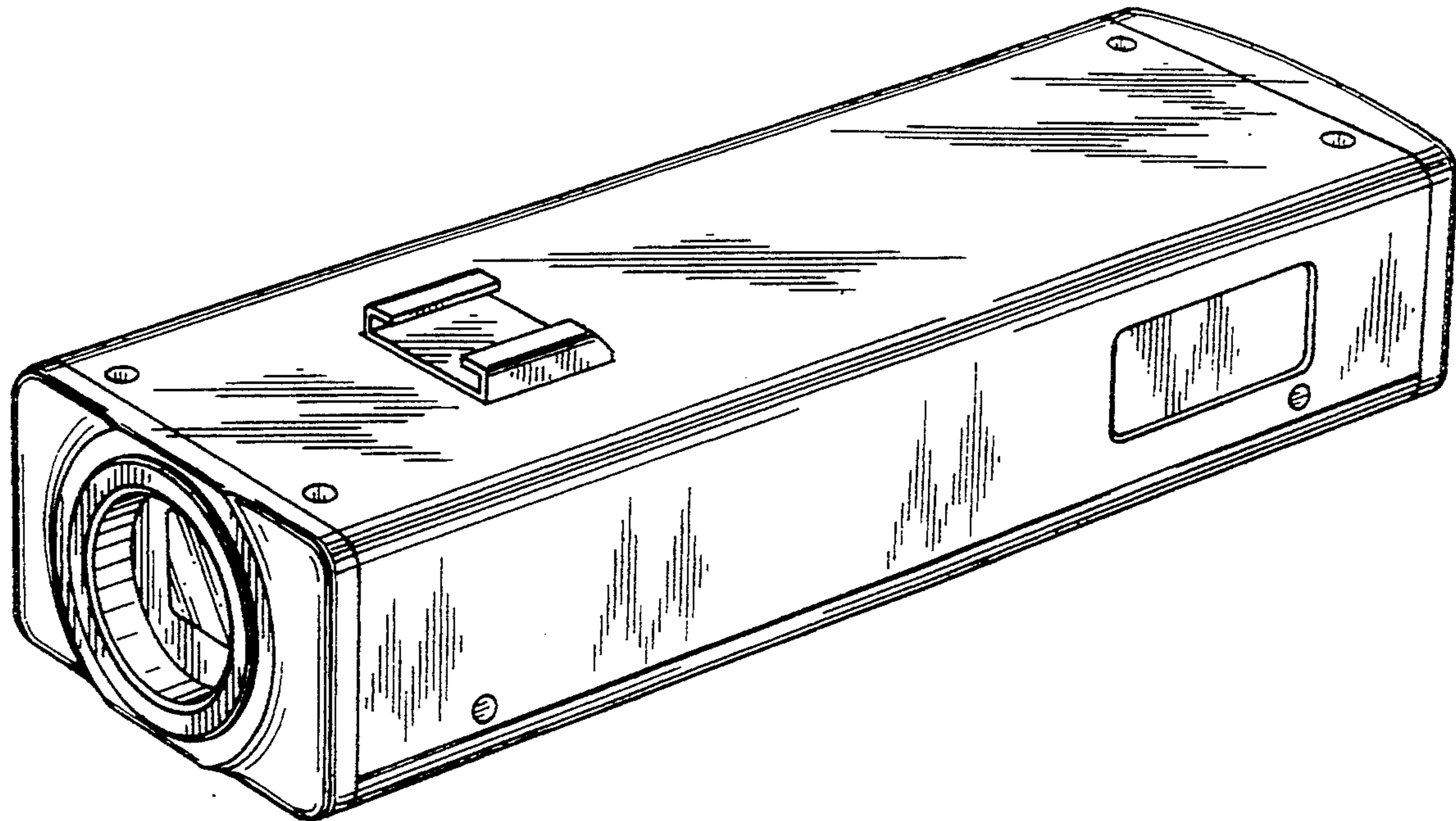


FIG. 1

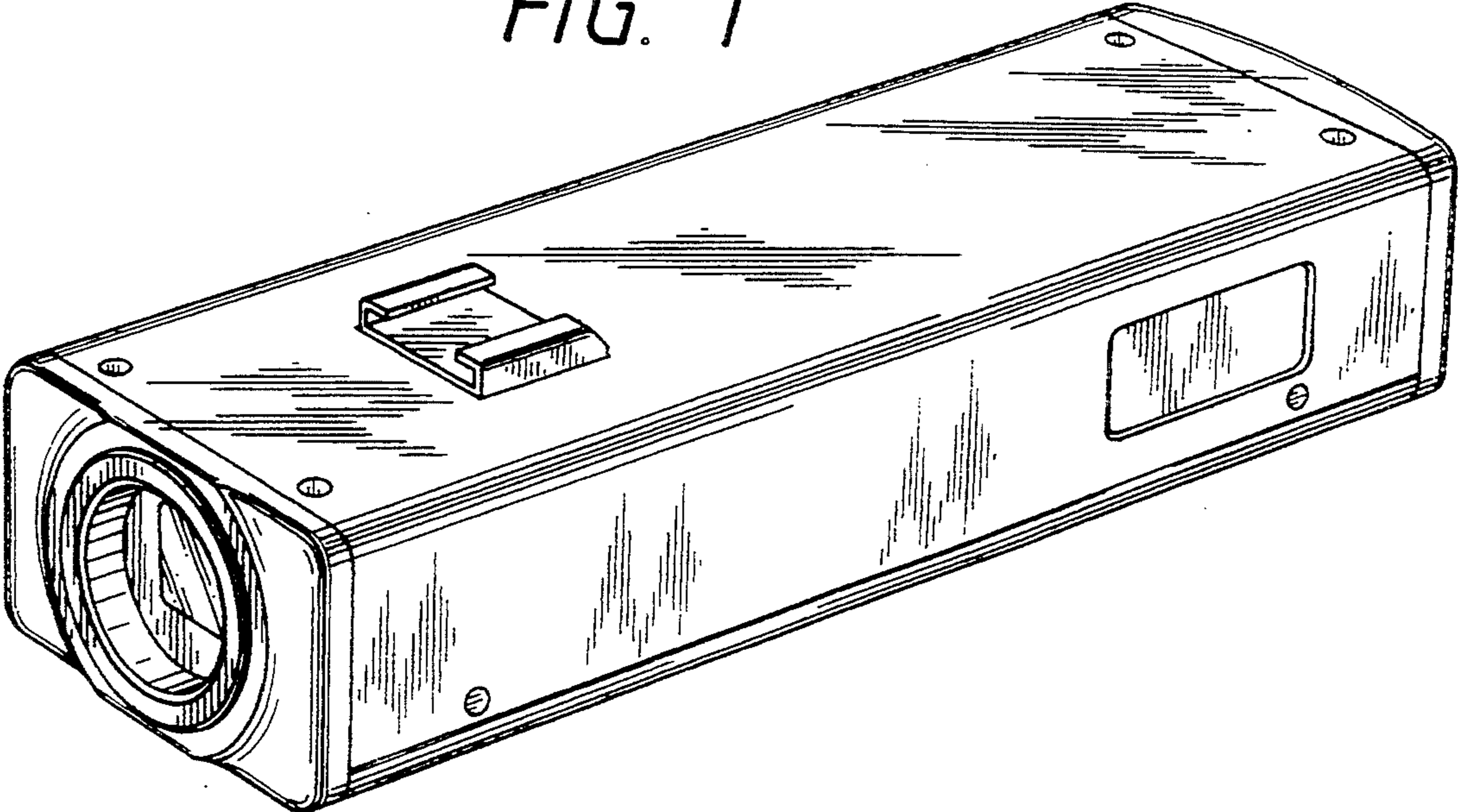


FIG. 2

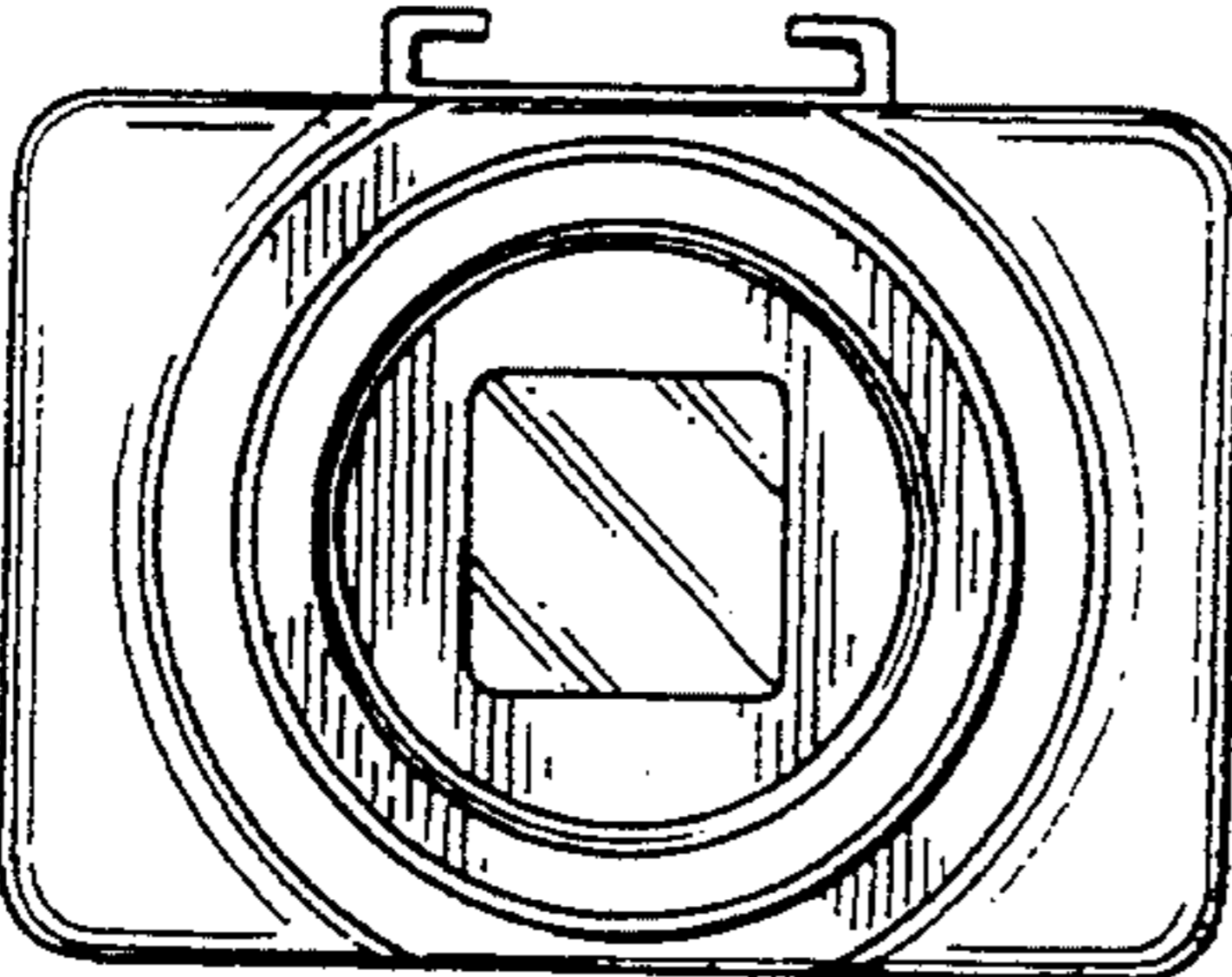


FIG. 3

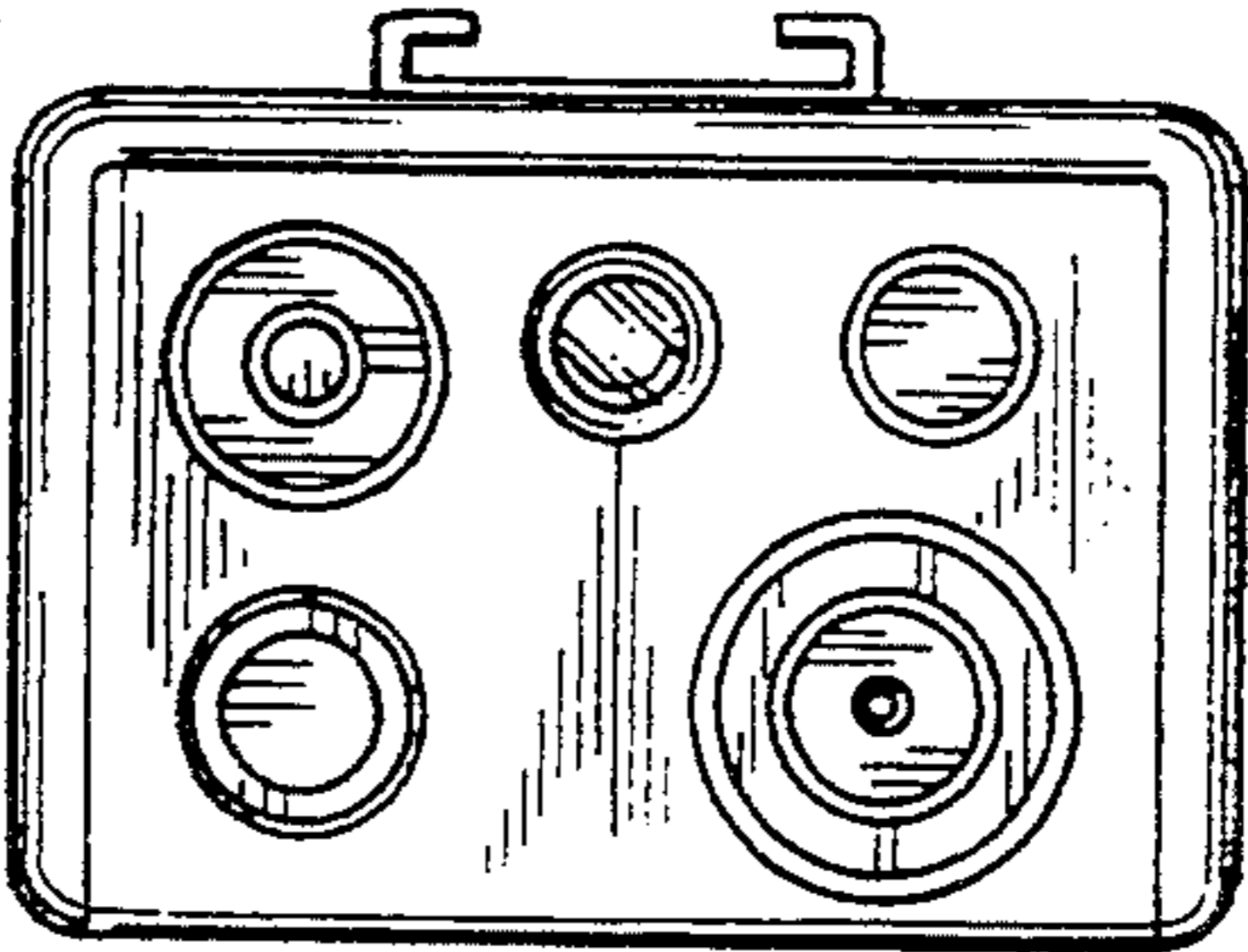


FIG. 4

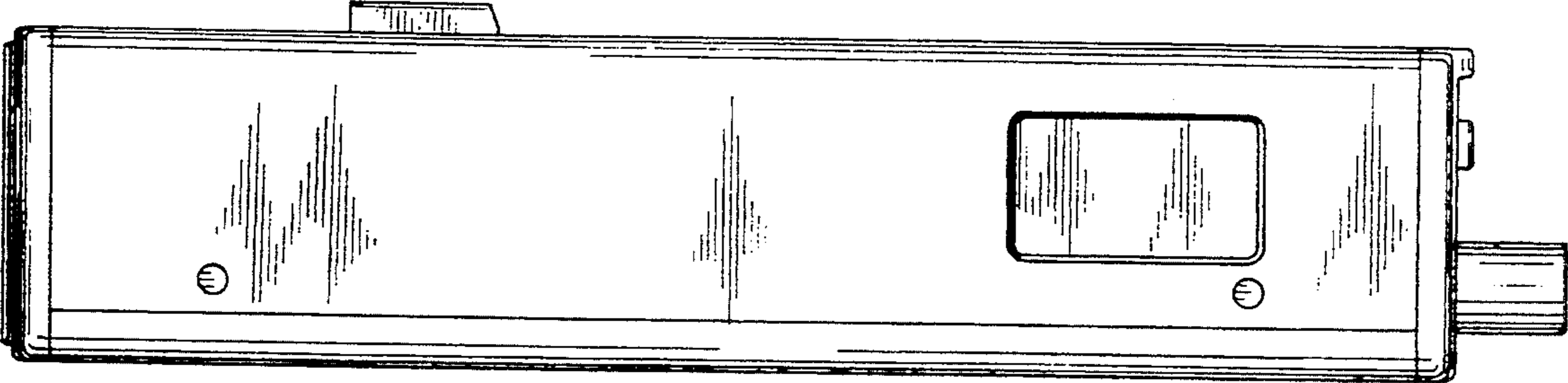


FIG. 5

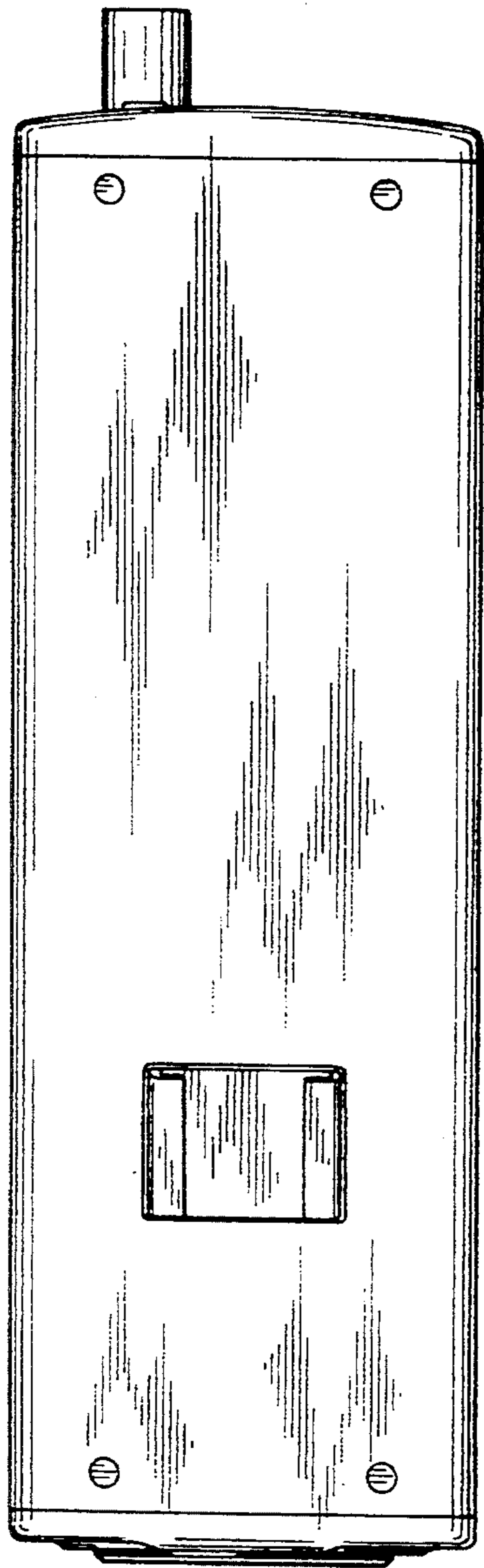


FIG. 6

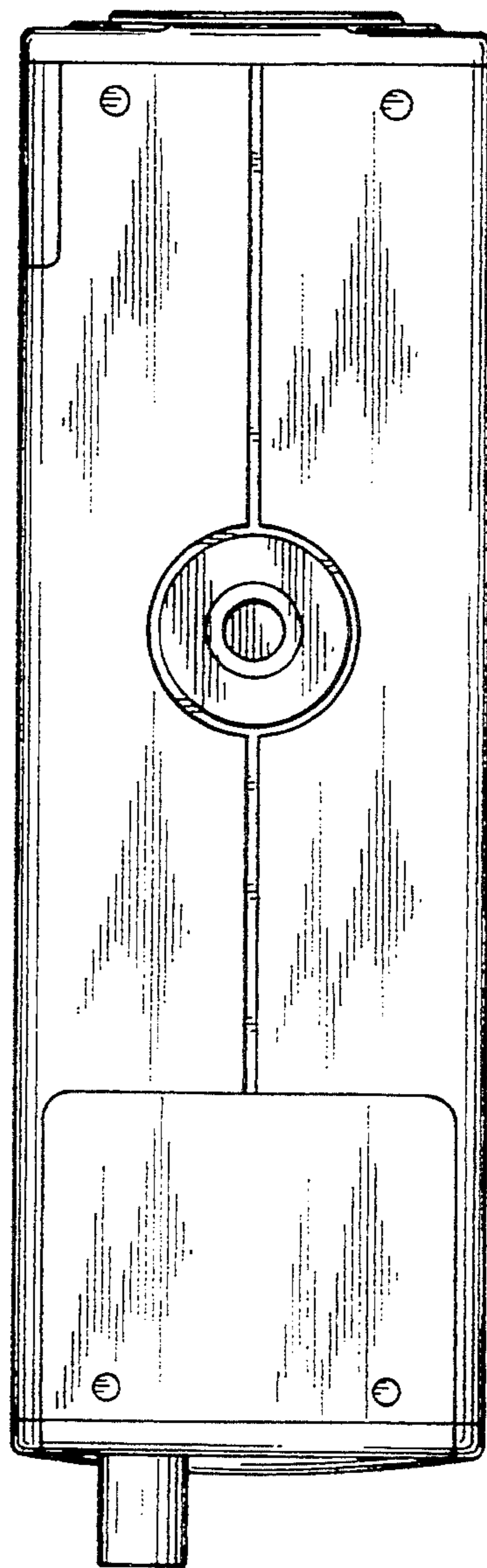


FIG. 7

