



US00D361563S

United States Patent [19]

[11] Patent Number: Des. 361,563

Tsai

[45] Date of Patent: ** Aug. 22, 1995

[54] **COMPUTER KEYBOARD WITH A CURVED TOP CONFIGURATION**

[75] Inventor: Ching-Cheng Tsai, Keelung, Taiwan

[73] Assignee: Chicony Electronics Co., Ltd., Taipei, Taiwan

[**] Term:- 14 Years

[21] Appl. No.: 15,954

[22] Filed: Dec. 3, 1993

[52] U.S. Cl. D14/115

[58] Field of Search D14/100, 101, 106, 115; D18/1, 4, 7, 2, 12; 235/145 A, 145 R; 200/5 A, 5 R, 6 A, 6 R; 345/168; 341/22, 23; 364/708.1; 400/472, 479, 484-486, 488, 489, 682

[56] **References Cited**

U.S. PATENT DOCUMENTS

- D. 308,200 5/1990 Sottsass D14/115
- D. 346,161 4/1994 Oh et al. D14/115

D. 350,538 9/1994 Yurkonis et al. D14/115

Primary Examiner—Freda S. Nunn
Attorney, Agent, or Firm—Browdy and Neimark

[57] **CLAIM**

The ornamental design for a computer keyboard with a curved top configuration, as shown and described.

DESCRIPTION

FIG. 1 is the reduced perspective view of a design for a computer keyboard with a curved top configuration showing my design;

FIG. 2 is the front elevational view thereof;

FIG. 3 is the rear elevational view thereof;

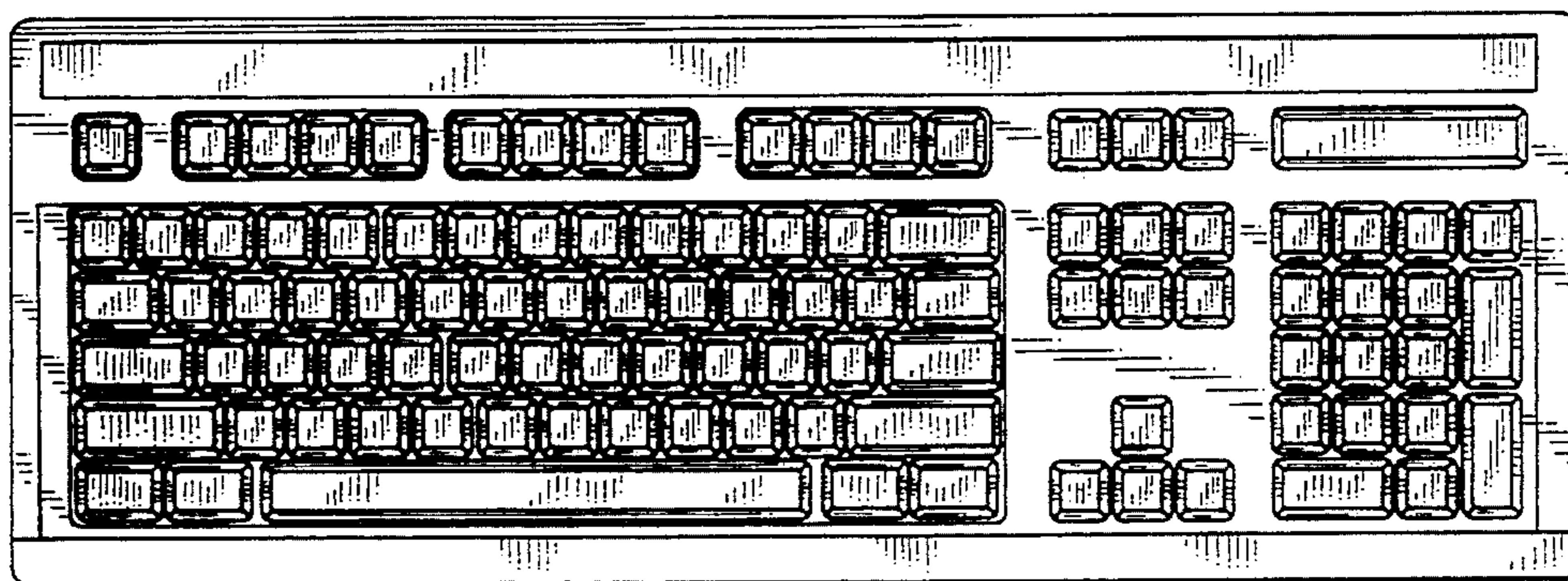
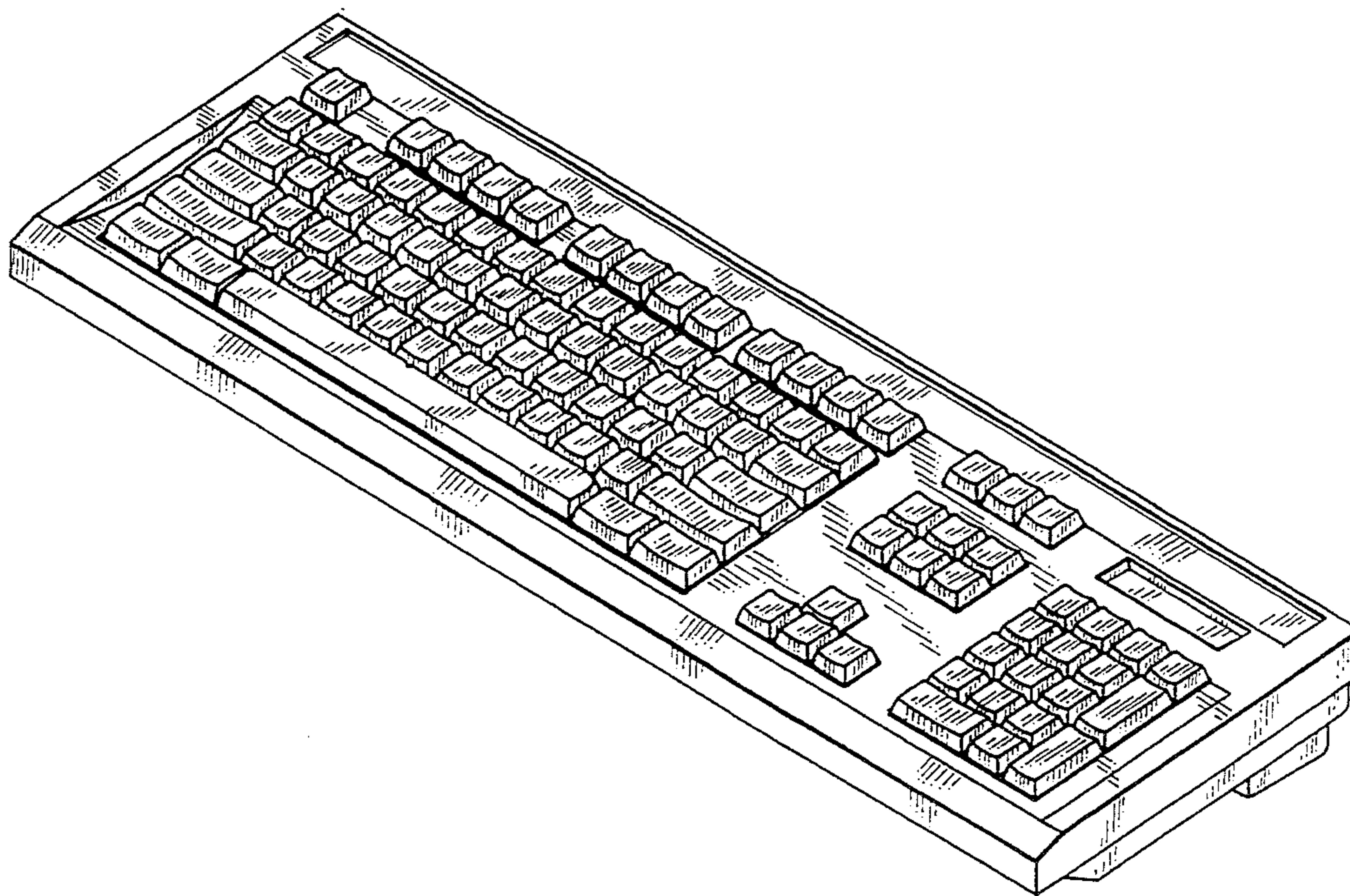
FIG. 4 is the left side elevational view thereof;

FIG. 5 is the right side elevational view thereof;

FIG. 6 is the top plan view thereof;

FIG. 7 is the bottom plan view thereof; and,

FIG. 8 is the enlarged fragmentary perspective view of a portion of the keyboard as shown in FIG. 1 for clarity of illustration.



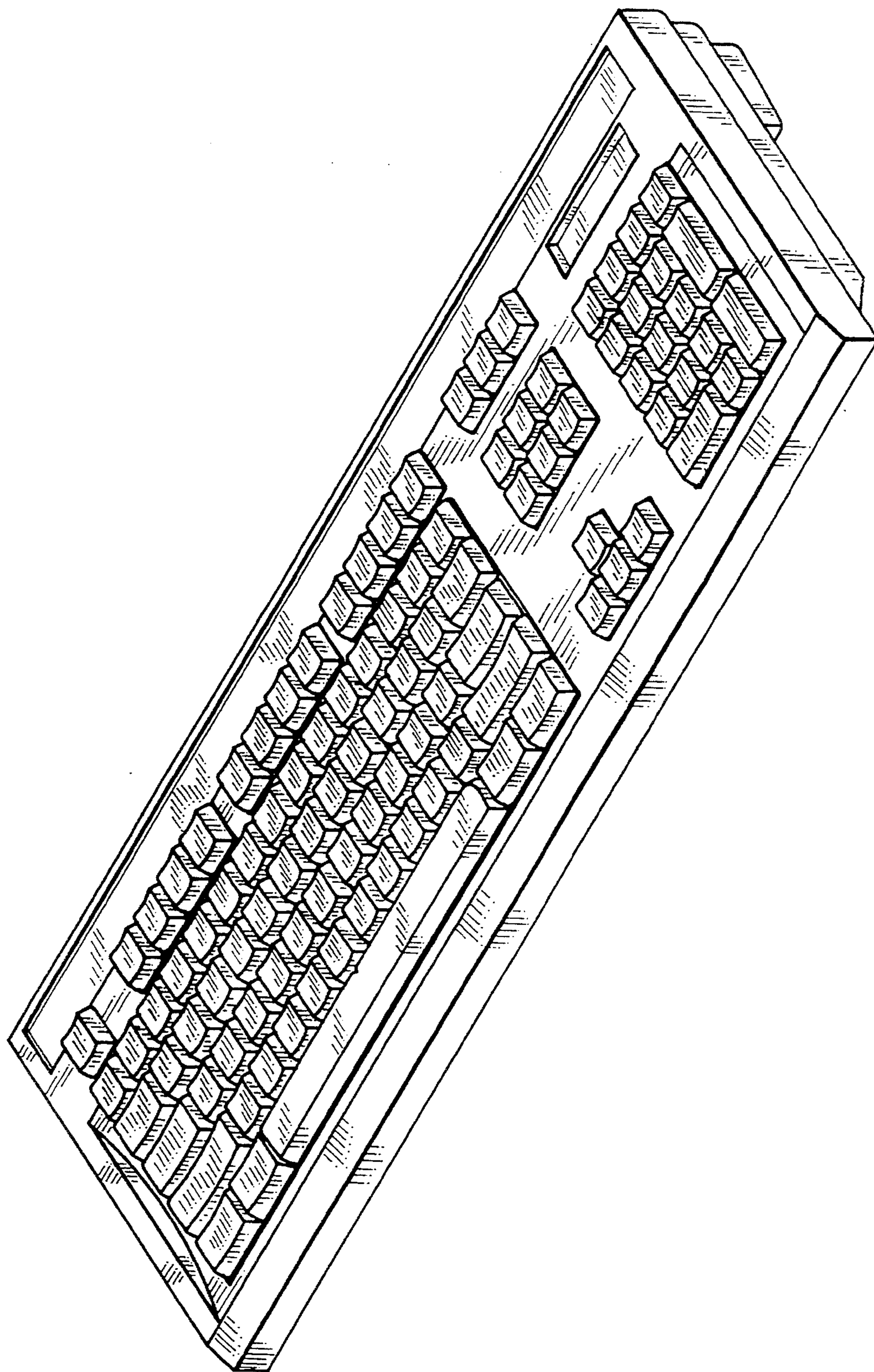


FIG. 1

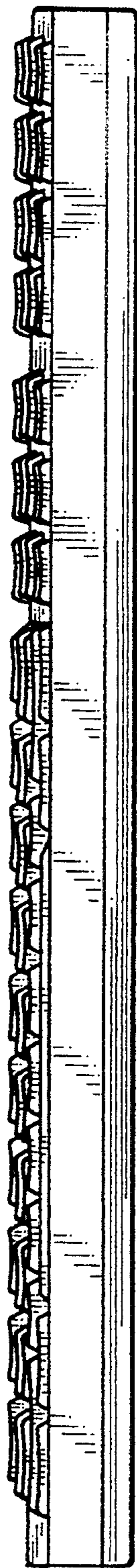


FIG. 2

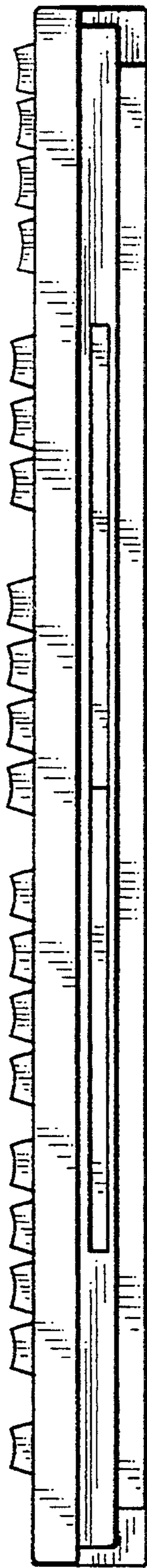


FIG. 3

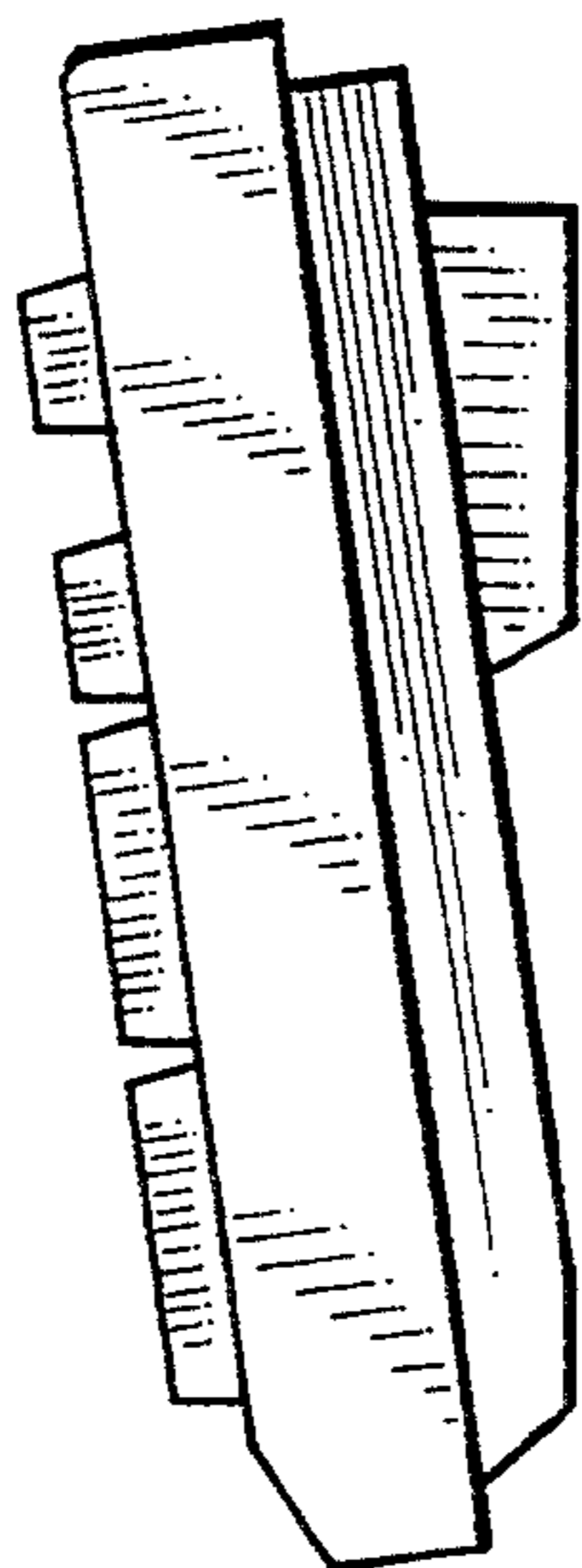


FIG. 4

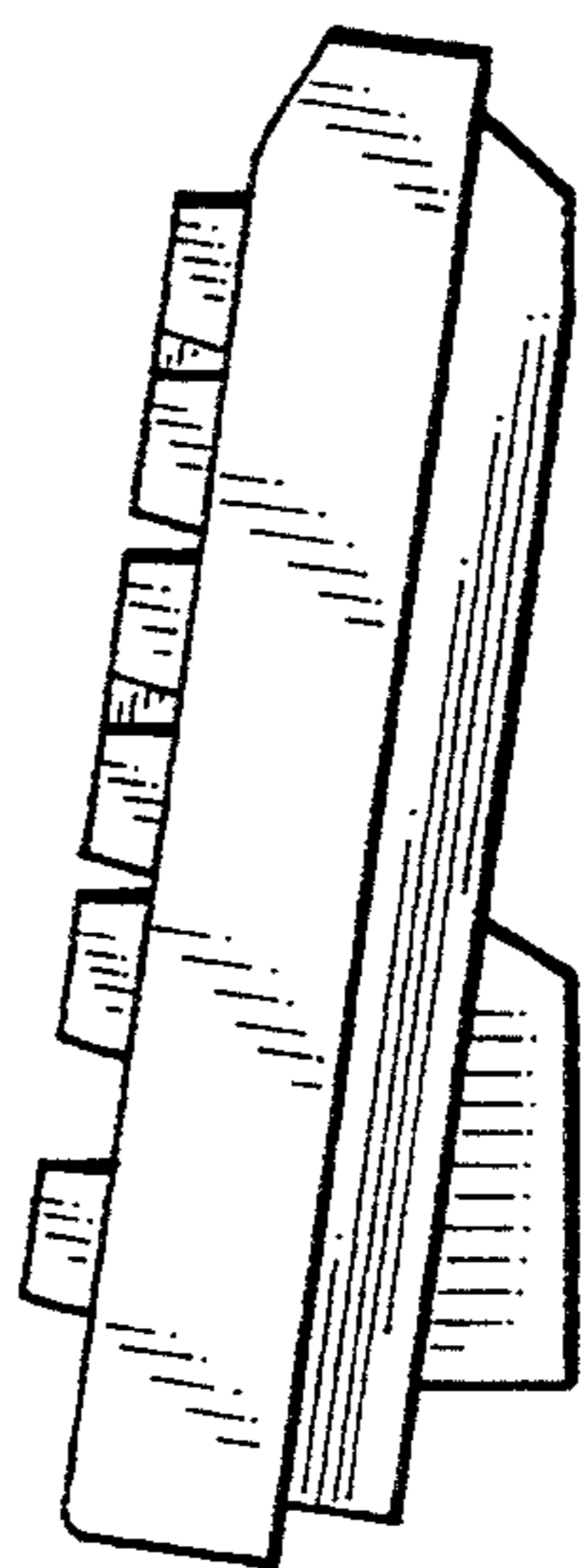


FIG. 5

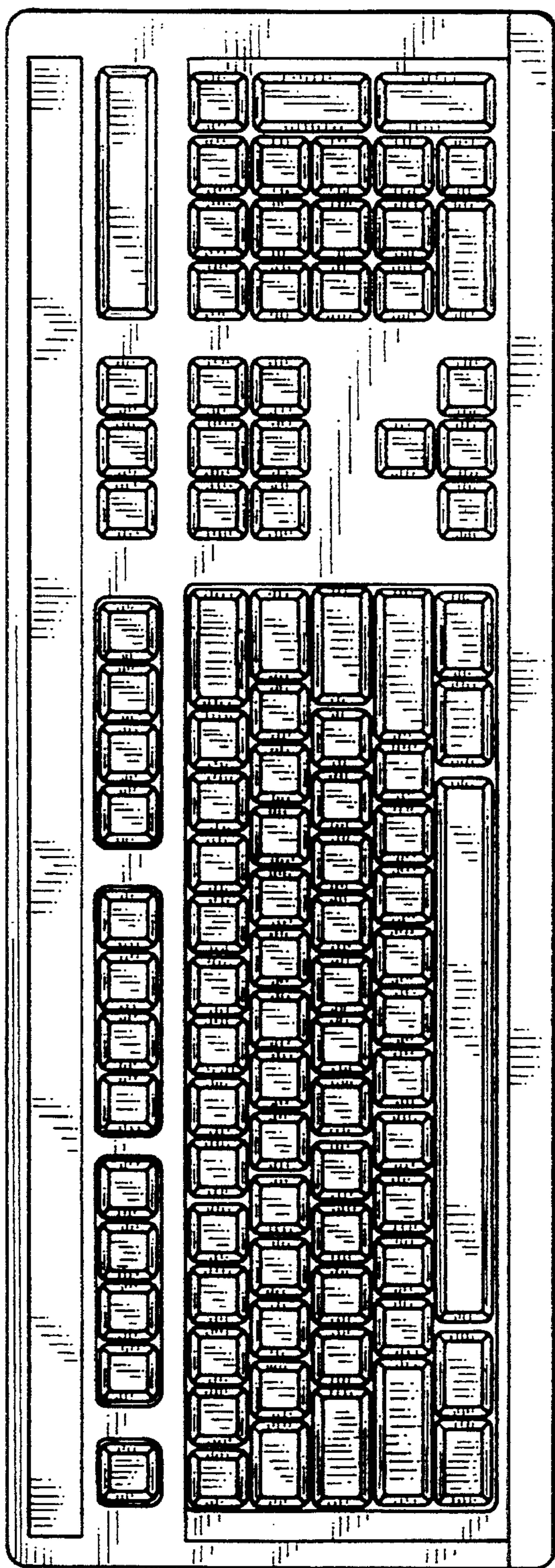


FIG. 6

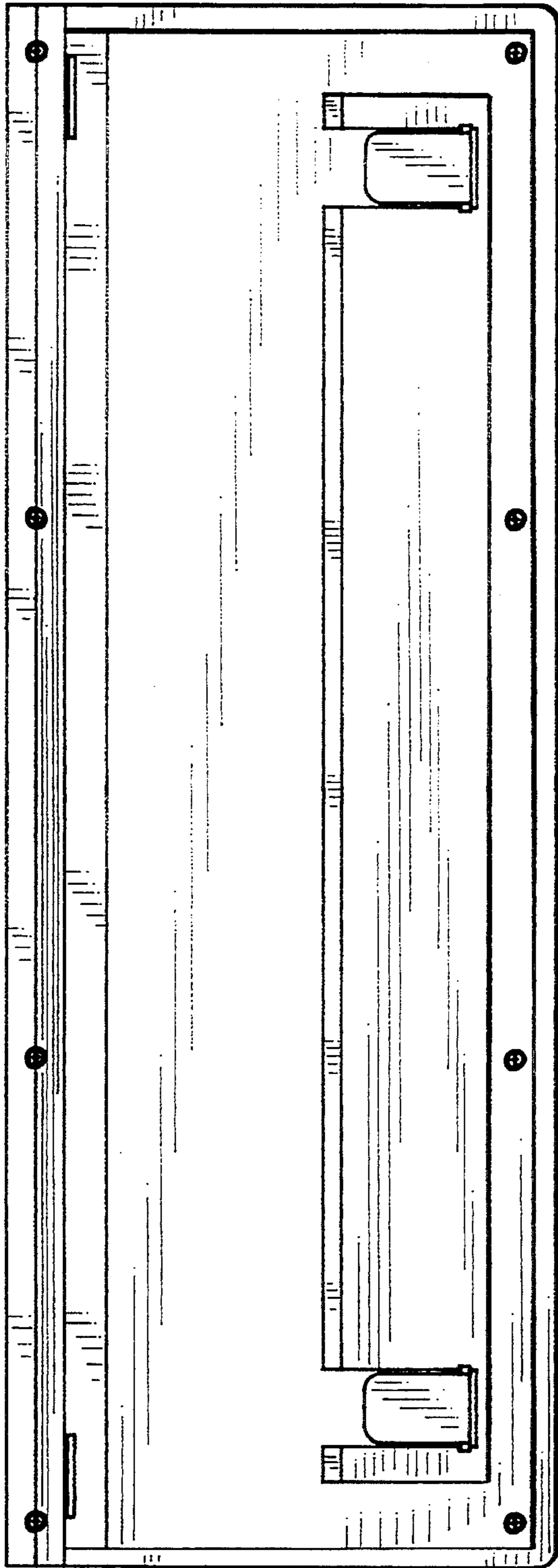


FIG. 7

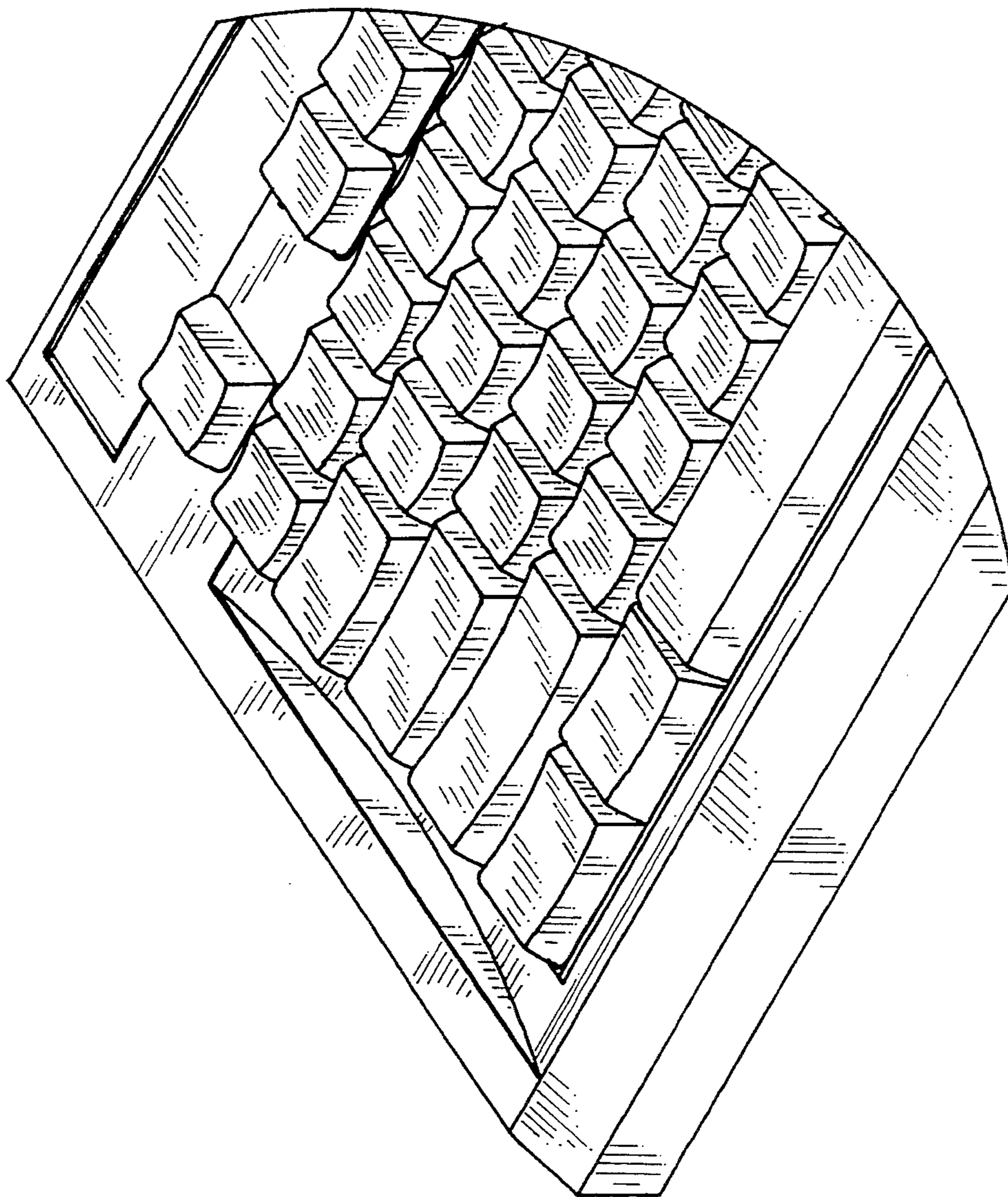


FIG. 8