



US00D361554S

United States Patent [19]

[11] Patent Number: **Des. 361,554**

Mochizuki et al.

[45] Date of Patent: **** Aug. 22, 1995**

[54] **IMAGE INPUTTING MACHINE FOR COMPUTERS**

[56] **References Cited**

U.S. PATENT DOCUMENTS

[75] Inventors: **Naoto Mochizuki; Yoshihito Iida; Hidemi Saito**, all of Yamanashi, Japan

D. 312,652 12/1990 Fukuda et al. D18/36
D. 340,232 10/1993 Yoshida D14/107
4,754,293 6/1988 Aizawa et al. D18/36 X

[73] Assignee: **Nisca Corporation**, Yamanashi, Japan

Primary Examiner—Alan P. Douglas
Assistant Examiner—Caron D. Veynar
Attorney, Agent, or Firm—Kanesaka & Takeuchi

[**] Term: **14 Years**

[57] **CLAIM**

The ornamental design for an image inputting machine for computers, as shown and described.

[21] Appl. No.: **3,576**

DESCRIPTION

[22] Filed: **Jan. 8, 1993**

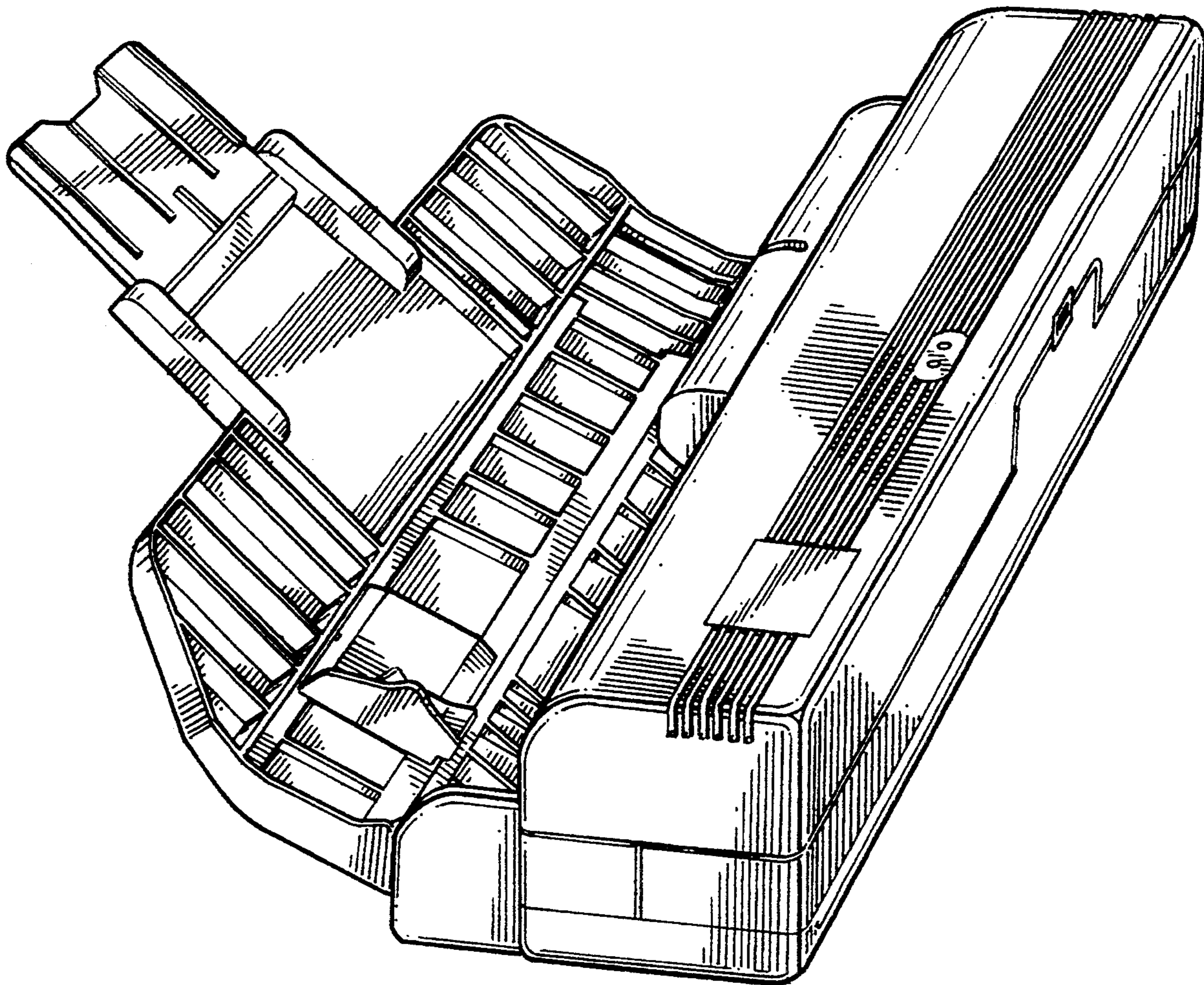
FIG. 1 is a top plan view of an image inputting machine for computers showing our new design;
FIG. 2 is a bottom plan view;
FIG. 3 is a front view thereof;
FIG. 4 is a rear view thereof;
FIG. 5 is a right side view thereof;
FIG. 6 is a left side view;
FIG. 7 is a right side view with the paper support shown in a closed position; and,
FIG. 8 is a perspective view thereof.

[30] Foreign Application Priority Data

Jul. 17, 1992 [JP] Japan 4-21495

[52] U.S. Cl. **D14/107; D14/105; D18/46**

[58] Field of Search D14/105, 107, 116; D18/36; 235/377, 379; 250/566, 568; 355/231, 233, 308; 358/488, 497



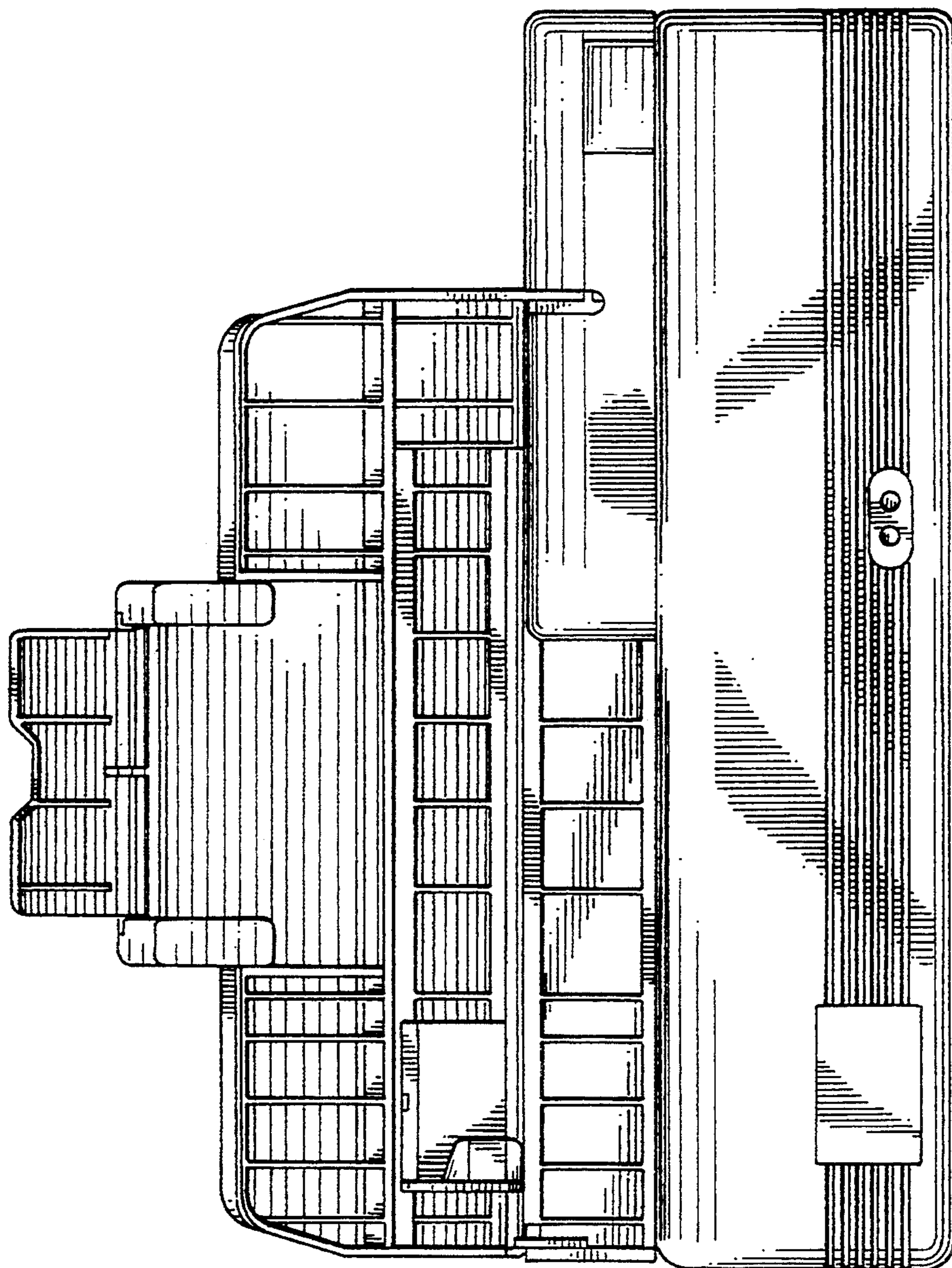


FIG. 1

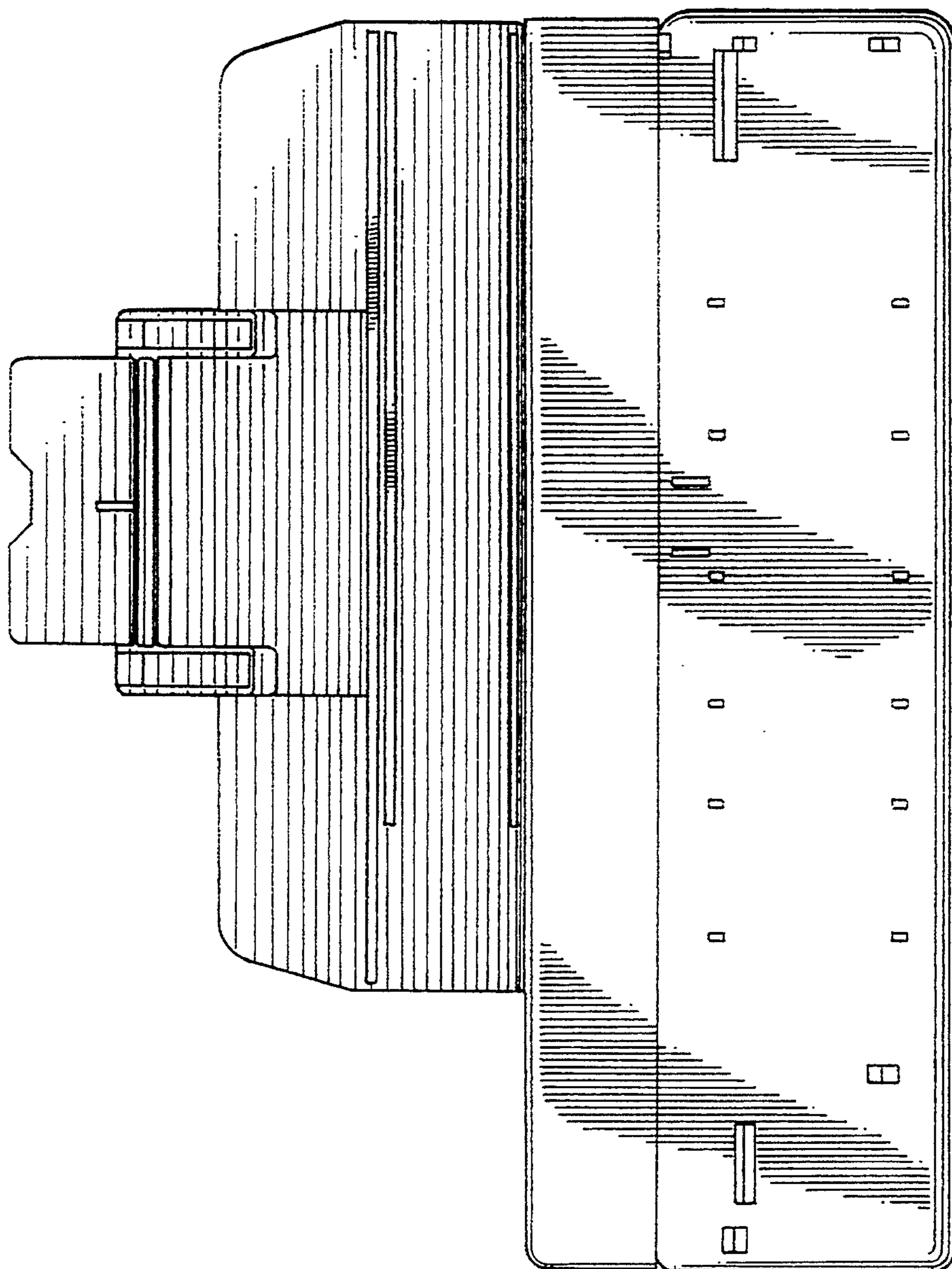


FIG. 2

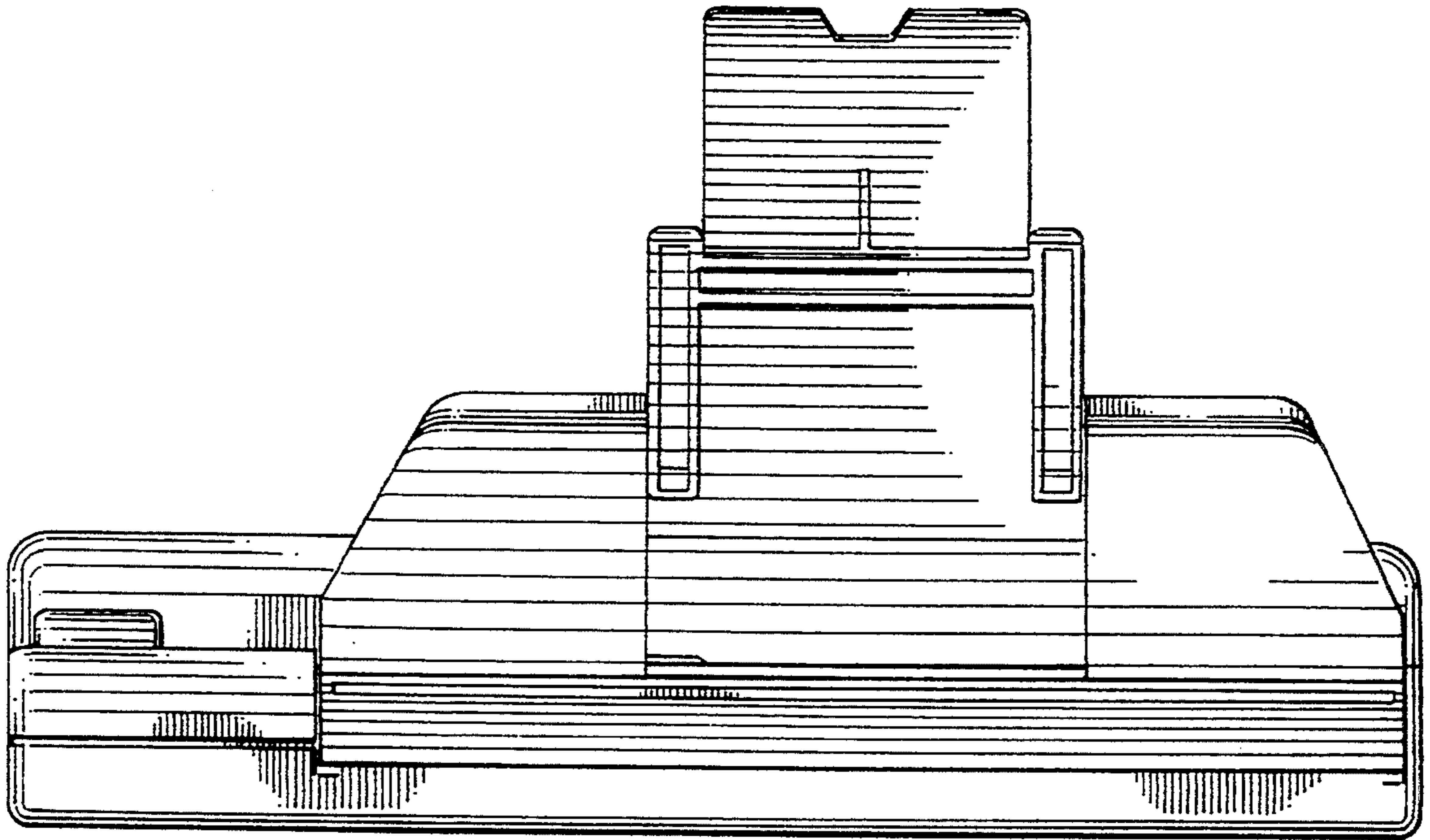


FIG. 3

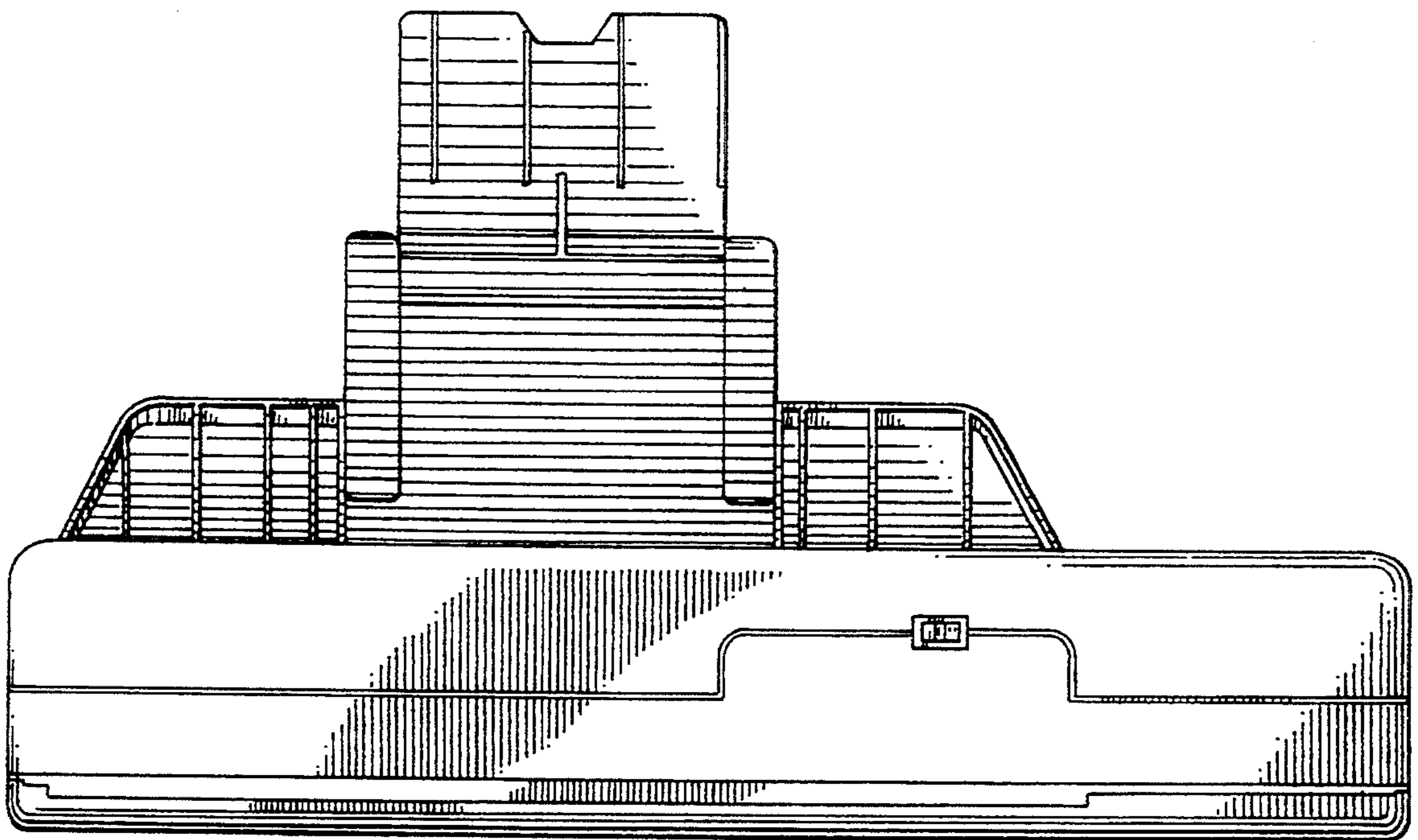


FIG. 4

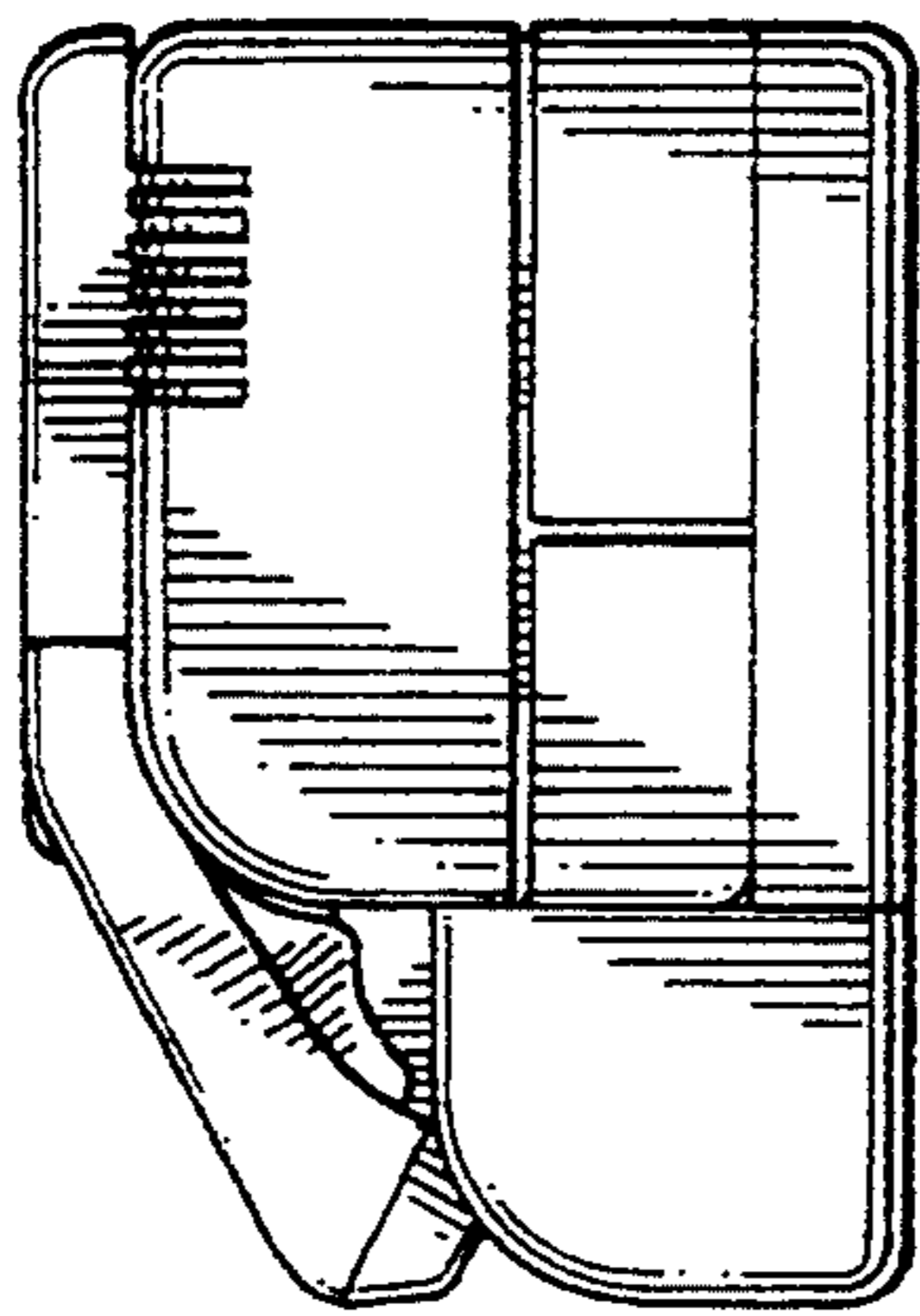


FIG. 7

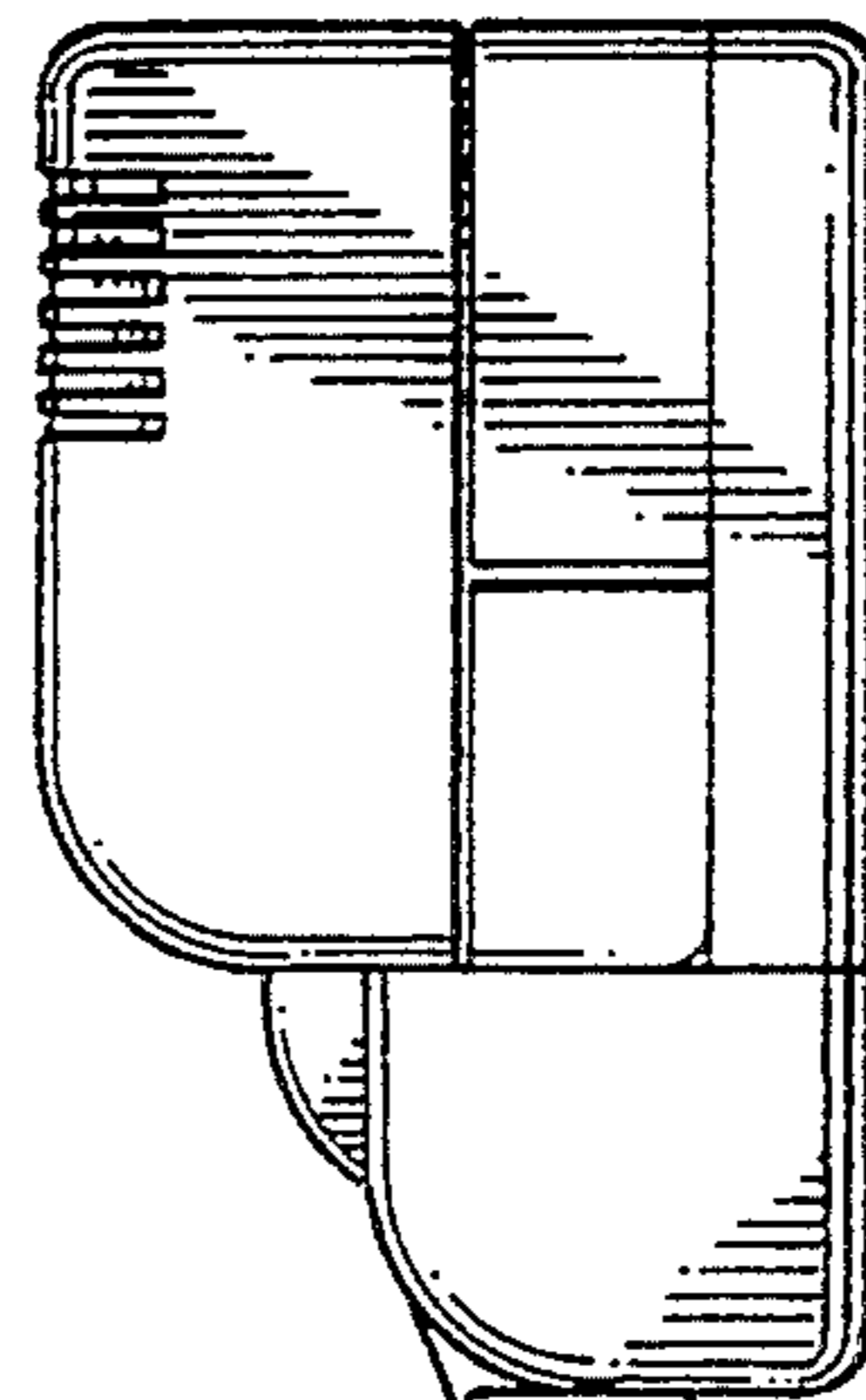


FIG. 5

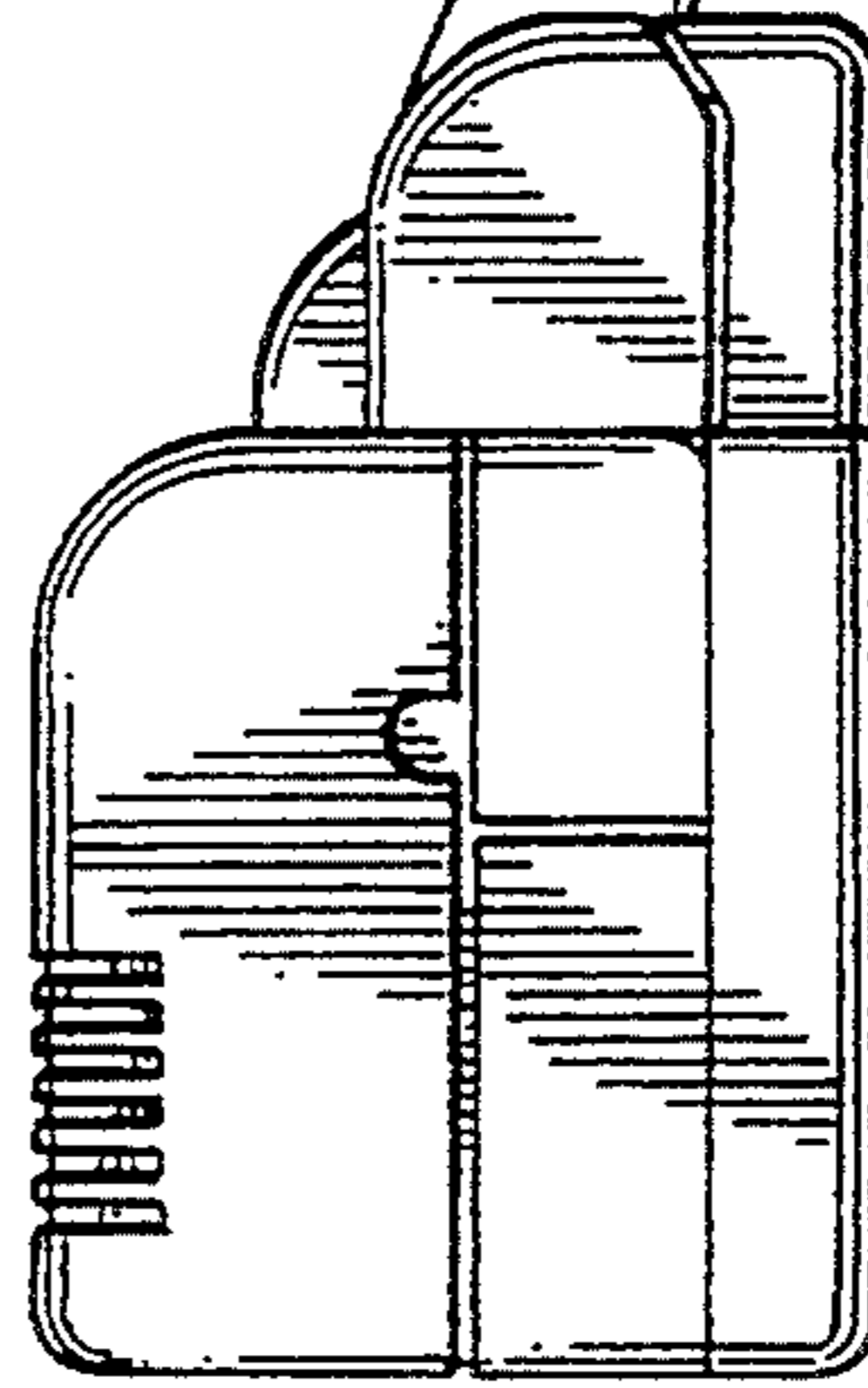
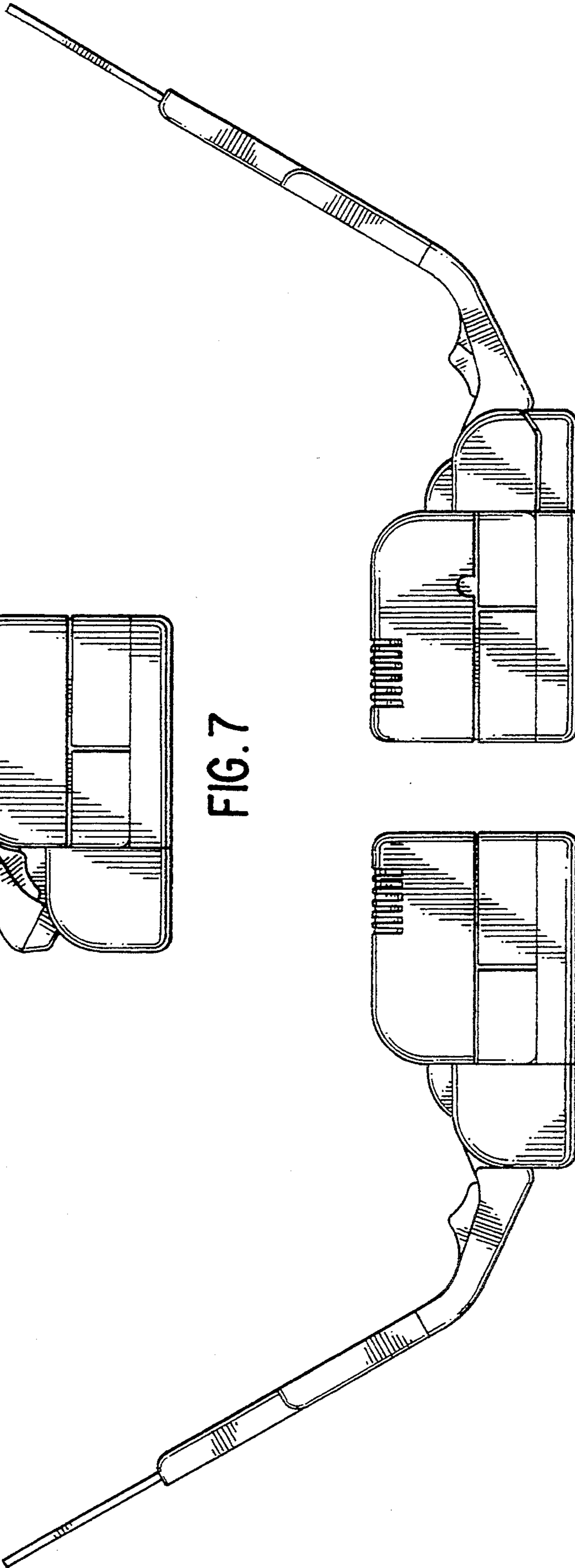


FIG. 6



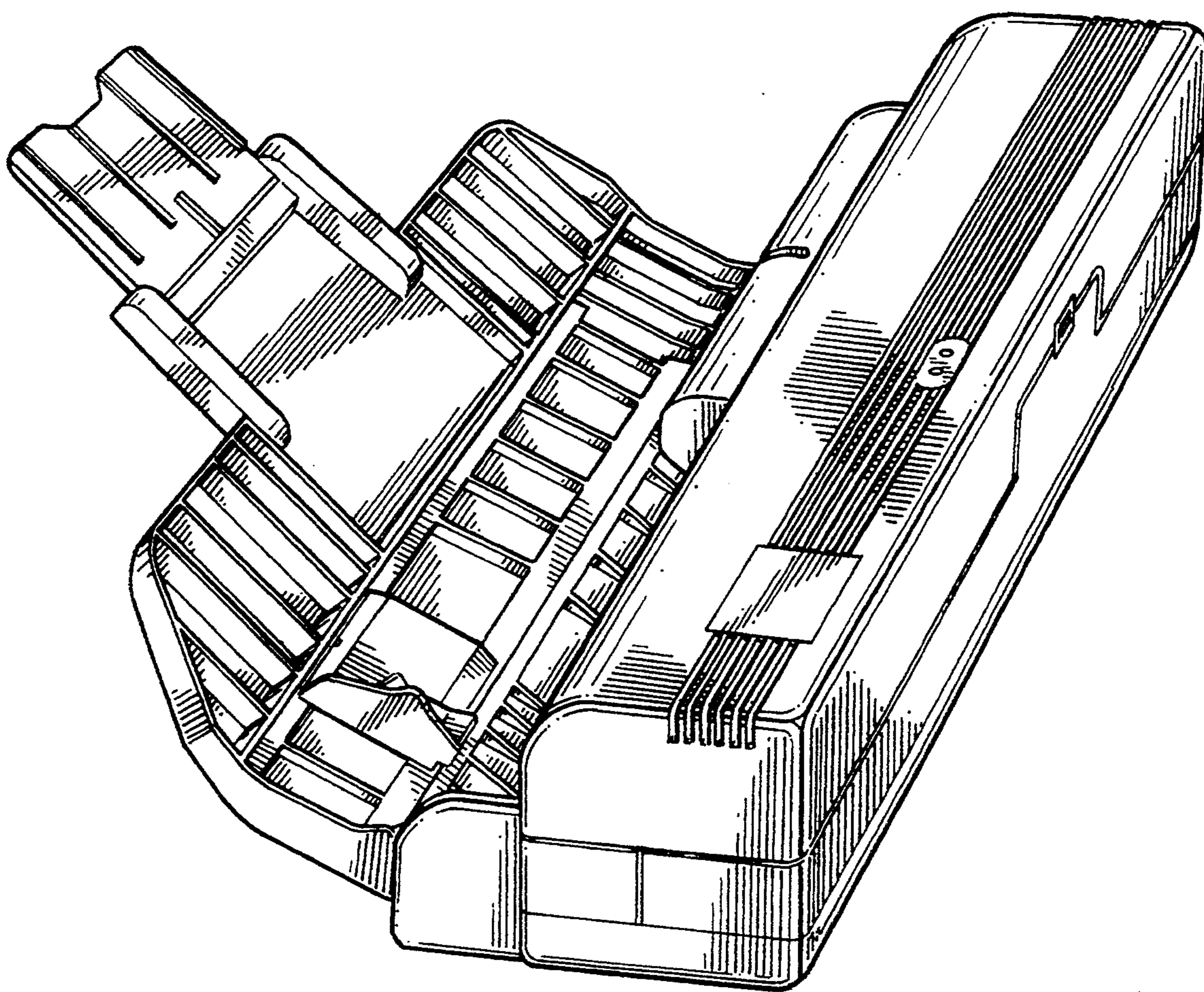


FIG. 8