



US00D361553S

**United States Patent** [19]  
**De Iuliis**

[11] **Patent Number: Des. 361,553**

[45] **Date of Patent: \*\* Aug. 22, 1995**

[54] **PORTABLE COMPUTER**

[75] Inventor: **Daniele De Iuliis**, San Francisco, Calif.

[73] Assignee: **Apple Computer, Inc.**, Cupertino, Calif.

[\*\*] Term: **14 Years**

[21] Appl. No.: **20,521**

[22] Filed: **Apr. 1, 1994**

[52] U.S. Cl. .... **D14/106**

[58] Field of Search ..... D14/100, 101, 106, 113, D14/115, 124-127; D18/1, 7, 11, 12; 235/145 A, 145 R; 341/22, 23; 345/104, 156, 168, 173, 87, 901-905; 361/679-686; 364/708.1, 709.04, 709.12; 400/486, 489

[56] **References Cited**

**U.S. PATENT DOCUMENTS**

D. 308,510	6/1990	Cheung	.....	D14/106 X
D. 316,544	4/1991	Esslinger et al.	.....	D14/106
D. 331,919	12/1992	Sekino et al.	.....	D14/106
D. 333,128	2/1993	Peng et al.	.....	D14/106
D. 334,739	4/1993	Tsai	.....	D14/106
D. 335,870	5/1993	Yun	.....	D14/106
D. 336,465	6/1993	Kim	.....	D14/106
D. 339,112	9/1993	Foy et al.	.....	D14/106
D. 342,501	12/1993	Saeki et al.	.....	D14/106 X

*Primary Examiner*—Freda S. Nunn

*Attorney, Agent, or Firm*—Richard C. Liu

[57] **CLAIM**

The ornamental design for a portable computer, as shown and described.

**DESCRIPTION**

FIG. 1 is a top, front and right side perspective view of a portable computer having its cover opened to an operating position and the legs retracted showing my new design;

FIG. 2 is a front elevational view thereof with the legs retracted;

FIG. 3 is a rear elevational view thereof with the connector panel closed and the legs retracted;

FIG. 4 is a top plan view thereof;

FIG. 5 is a bottom plan view thereof with the connector panel closed and the legs retracted;

FIG. 6 is a right side elevational view thereof with the legs retracted;

FIG. 7 is a left side elevational view thereof with the legs retracted;

FIG. 8 is a top, front and right side perspective view thereof with the cover closed;

FIG. 9 is a top, rear and right side perspective view thereof with the cover closed and the connector panel closed;

FIG. 10 is a top, rear and right side perspective view thereof with the cover closed and the connector panel open; and,

FIG. 11 is a right side elevational view thereof with the legs extended.

FIGS. 2-11 are drawn on an enlarged scale.

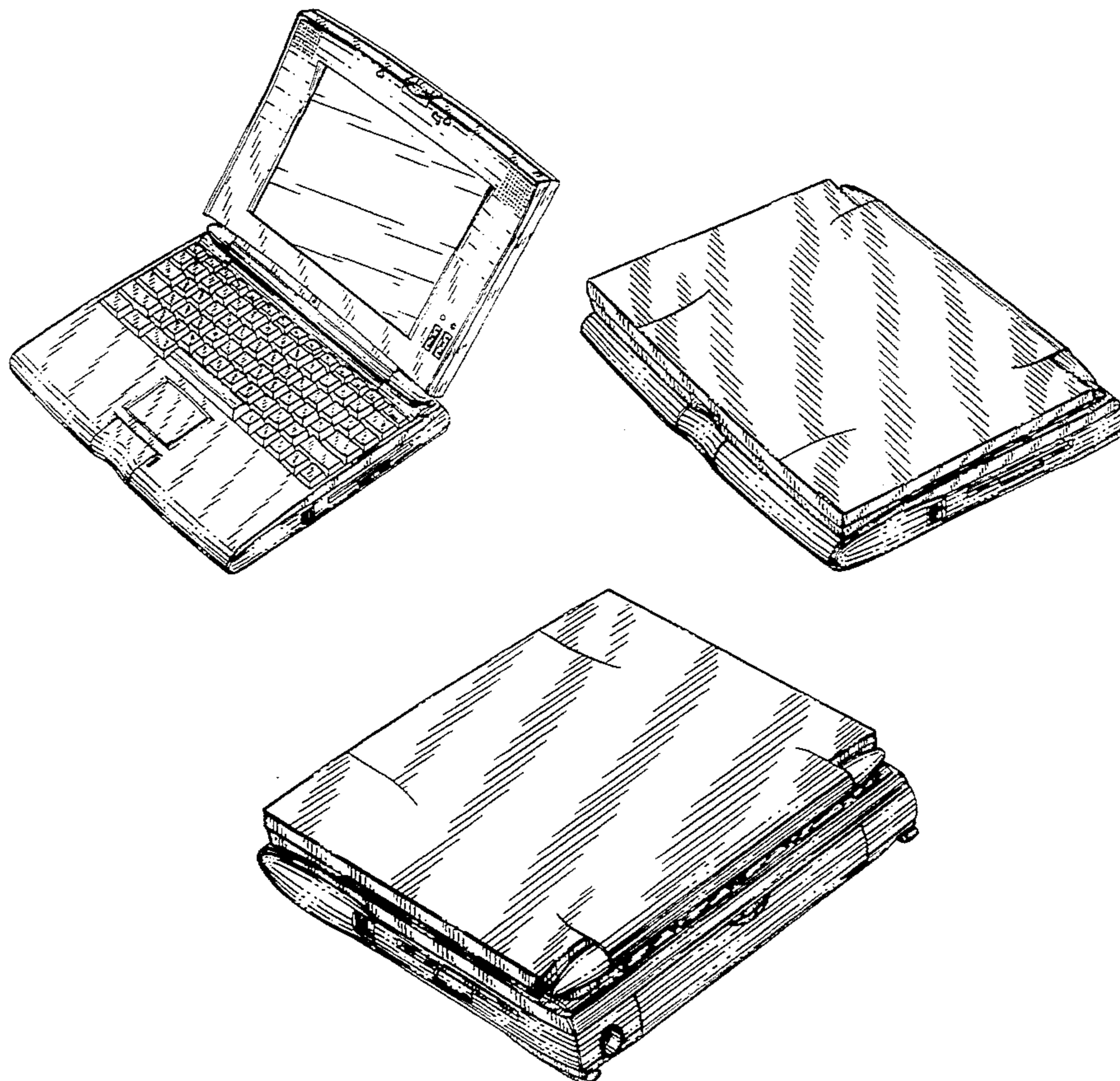


FIG. 1



FIG. 2

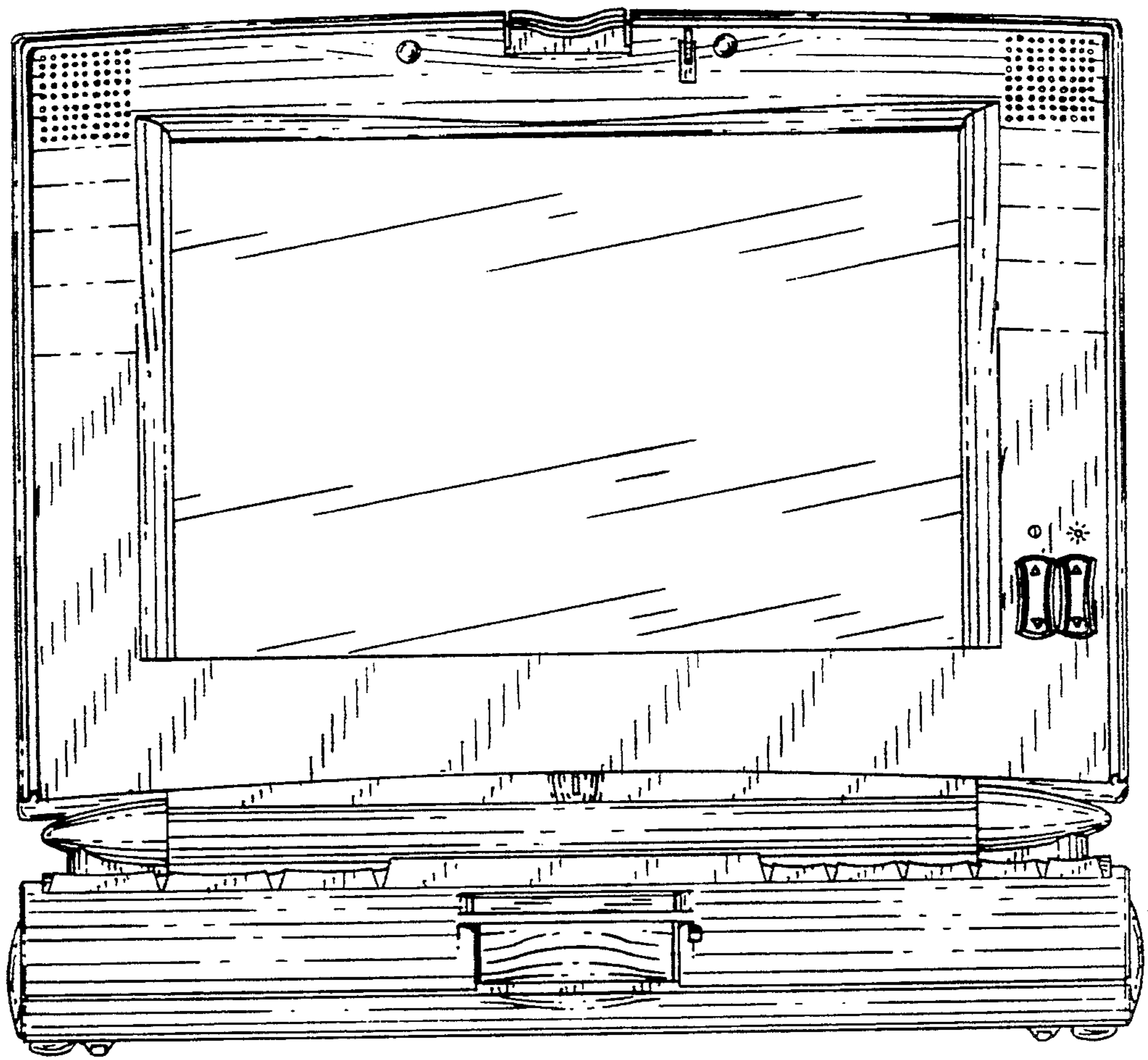


FIG 3

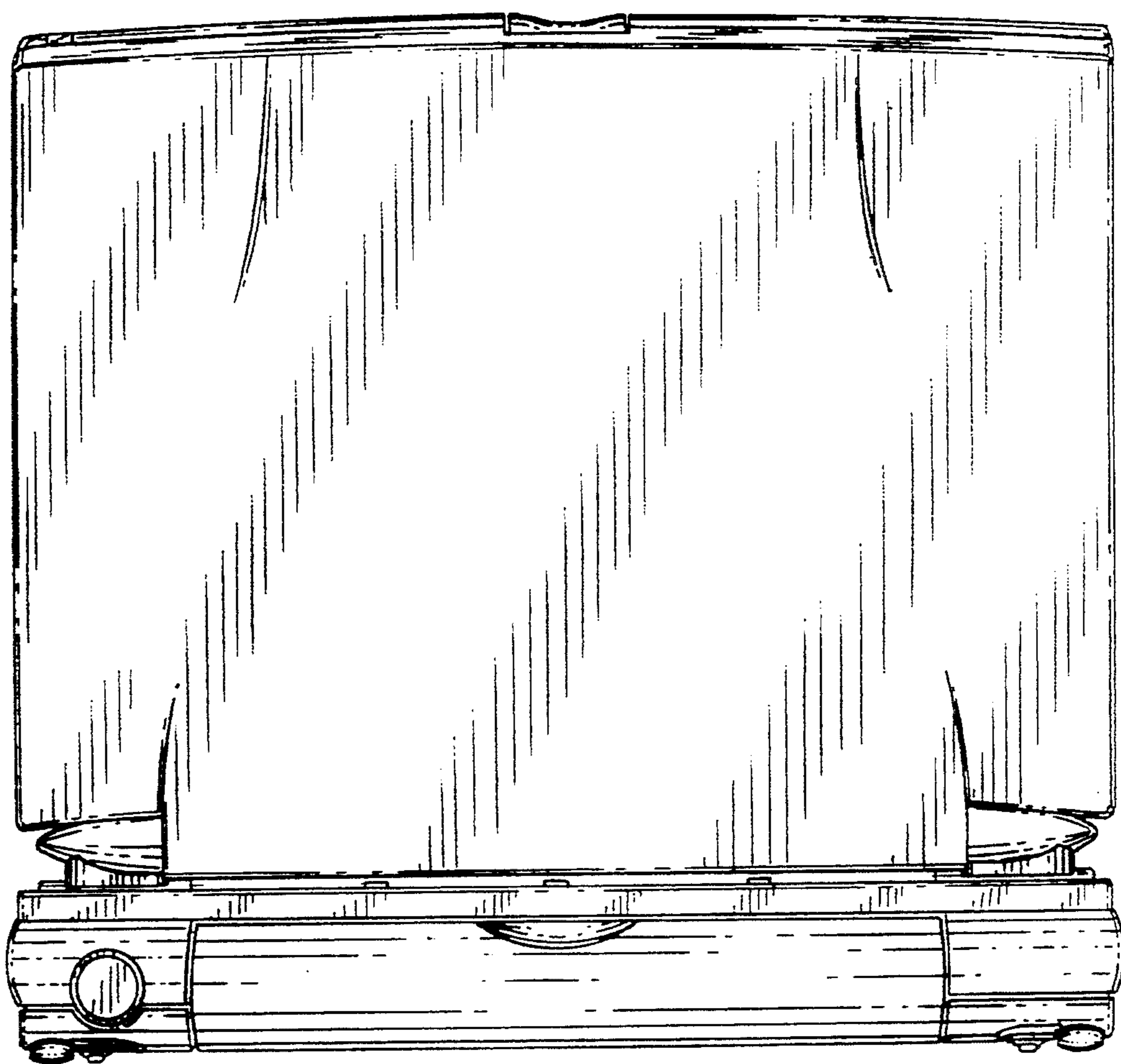


FIG 4

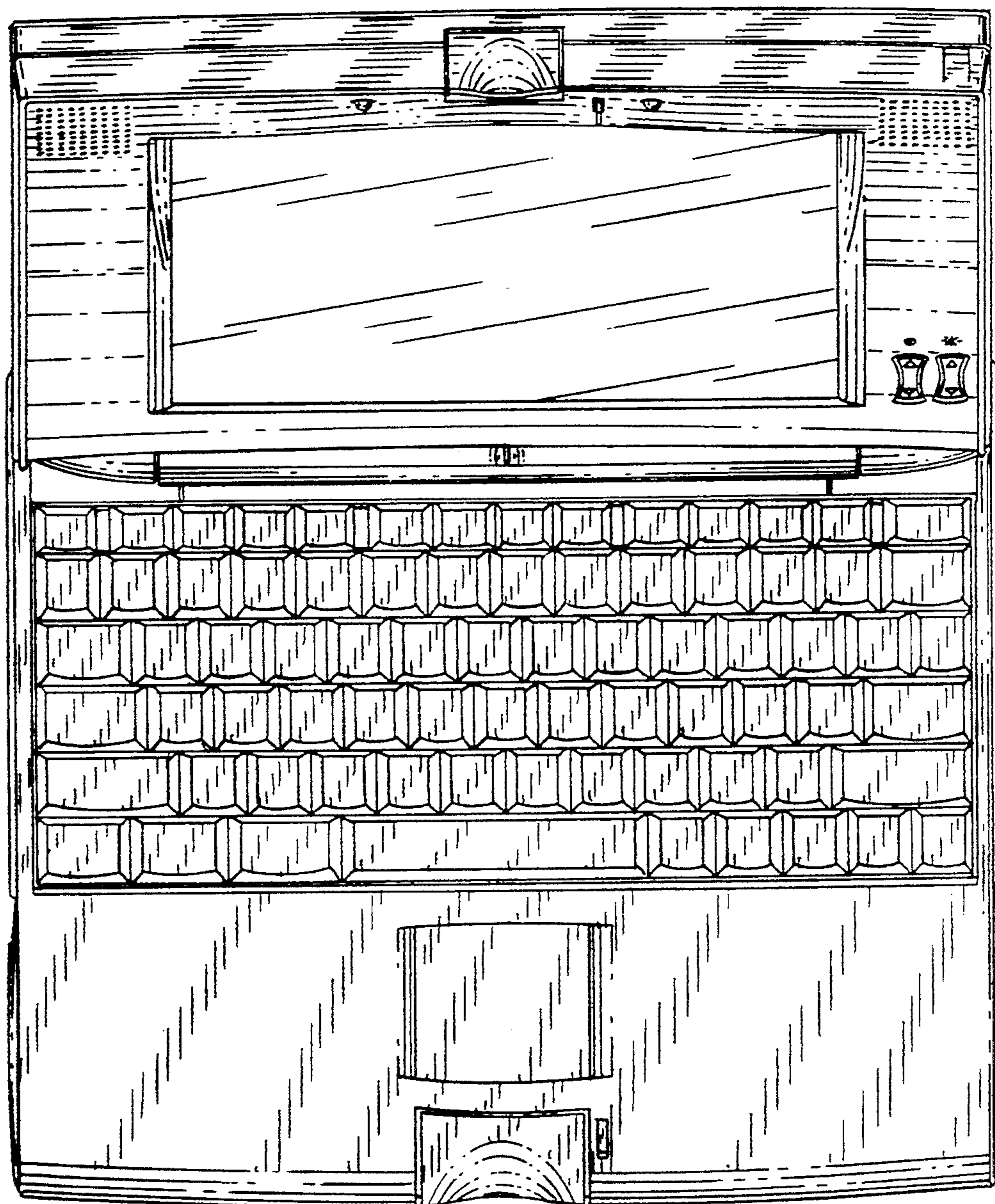


FIG 5

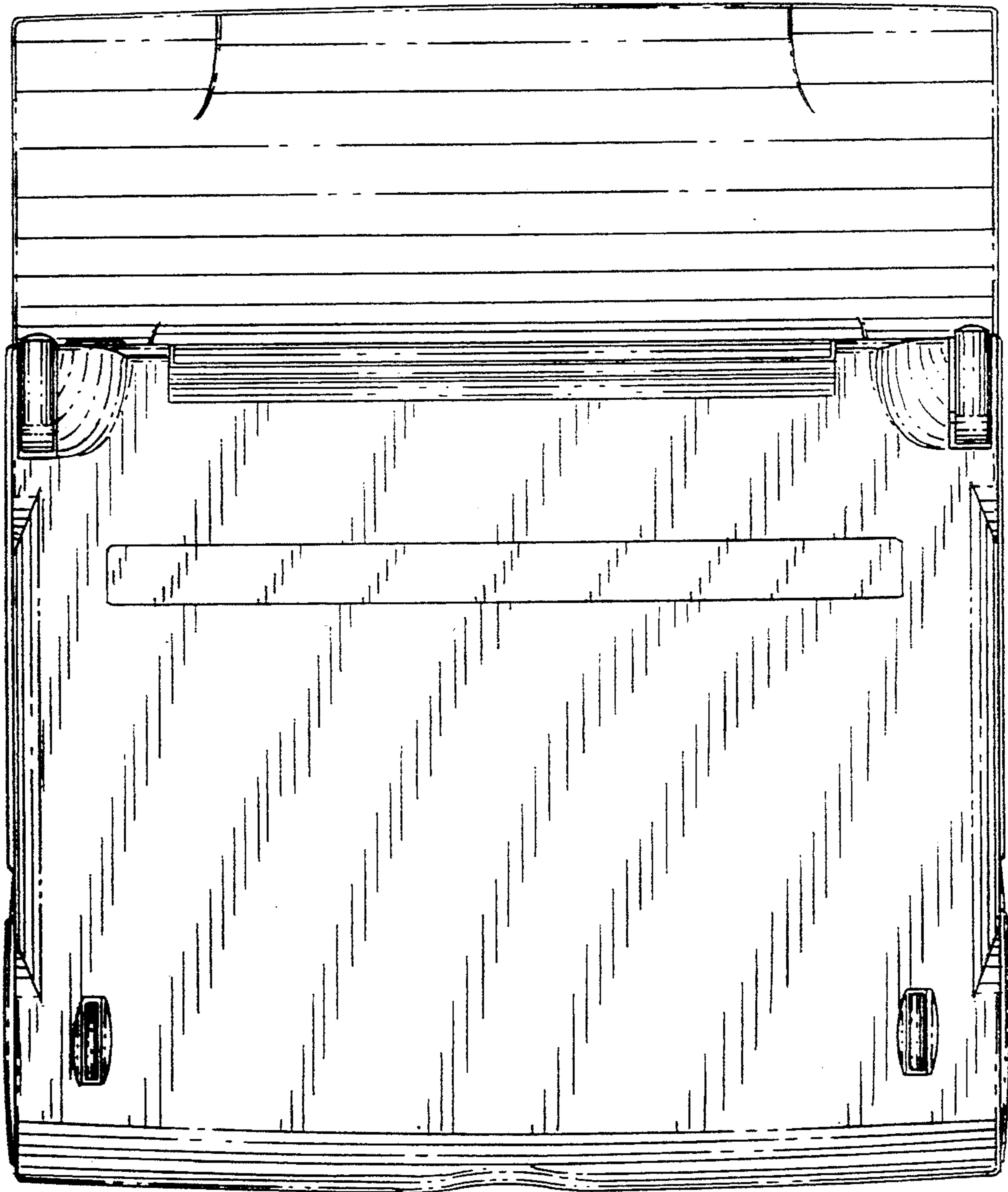


FIG. 6

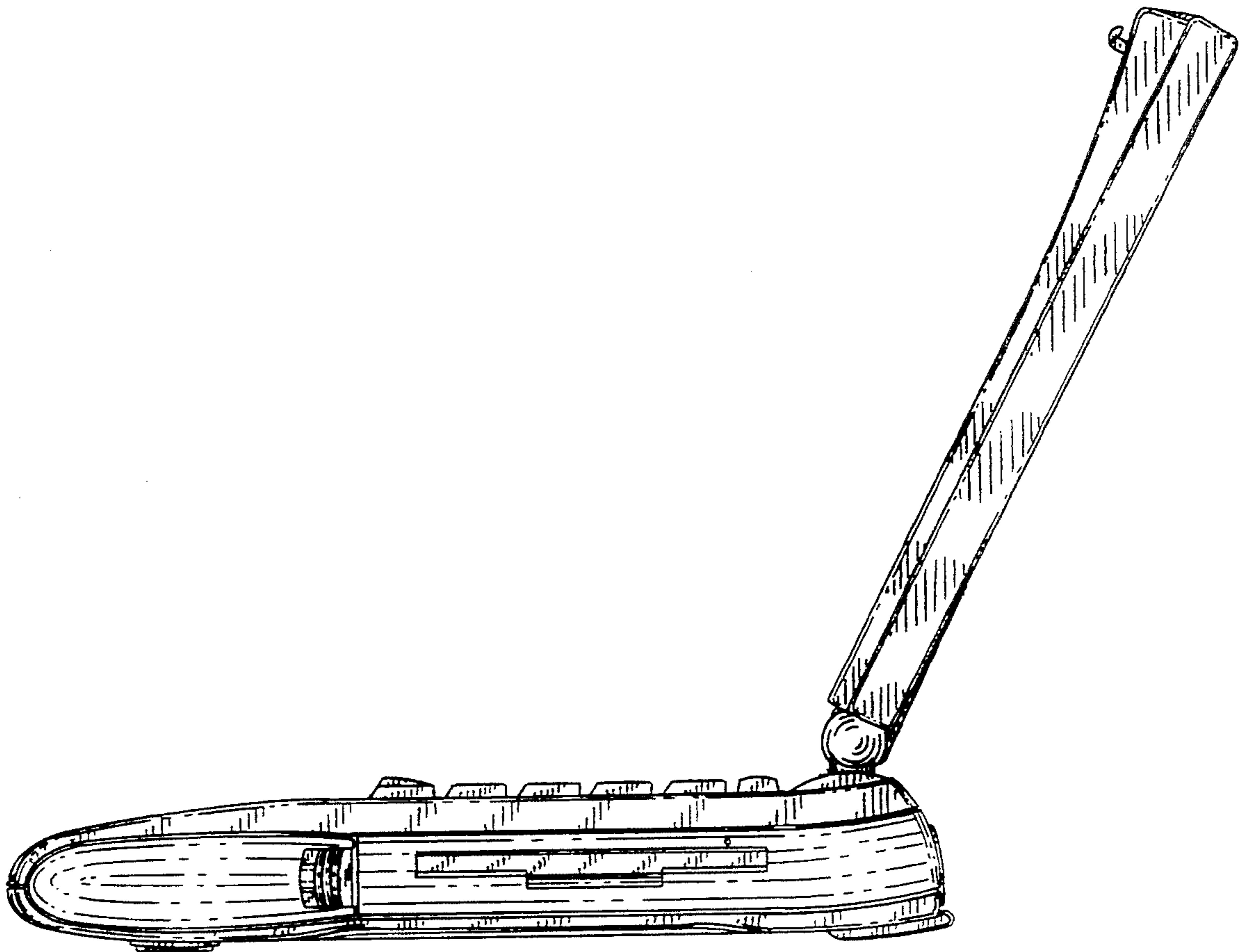


FIG 7

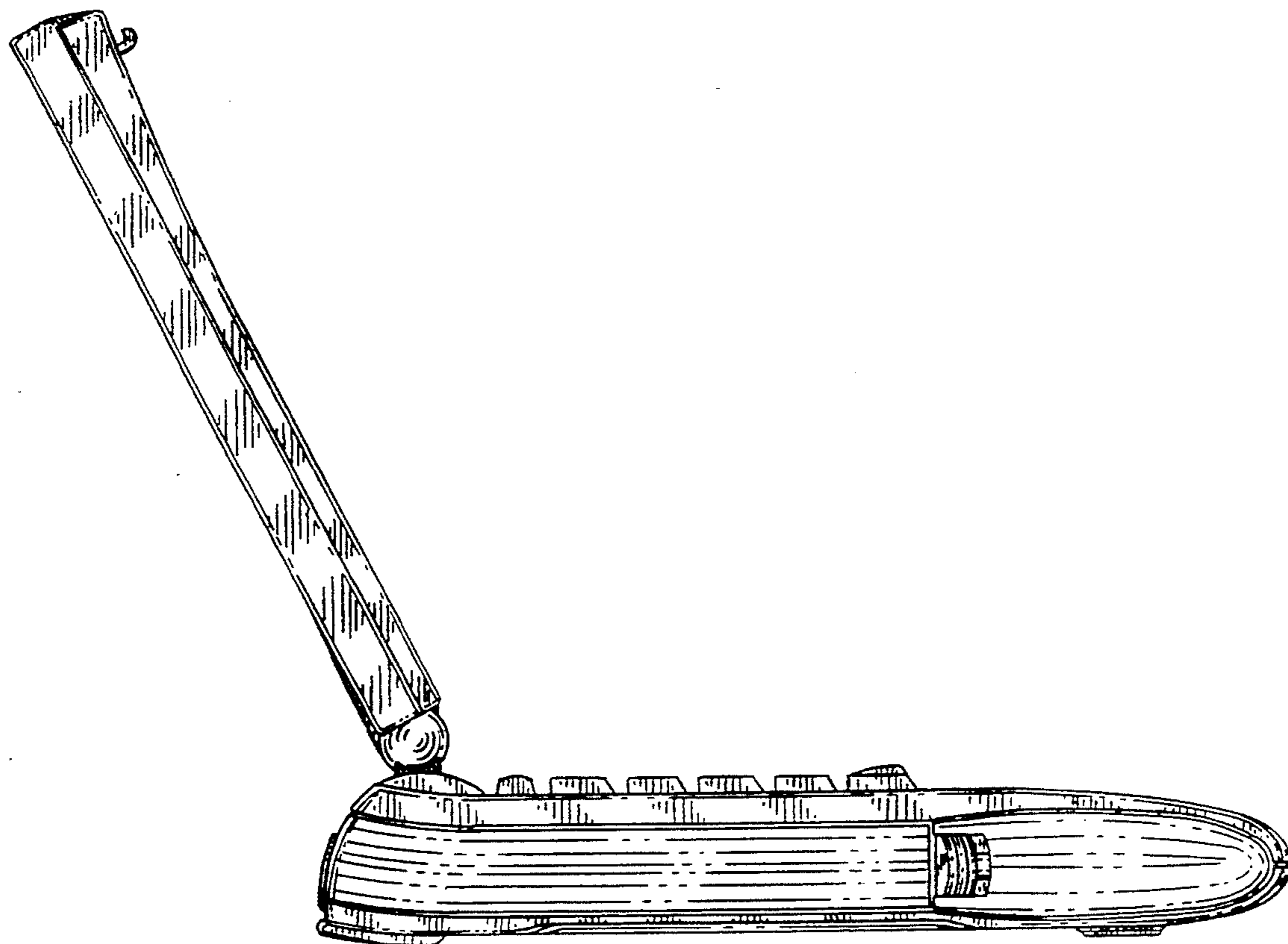
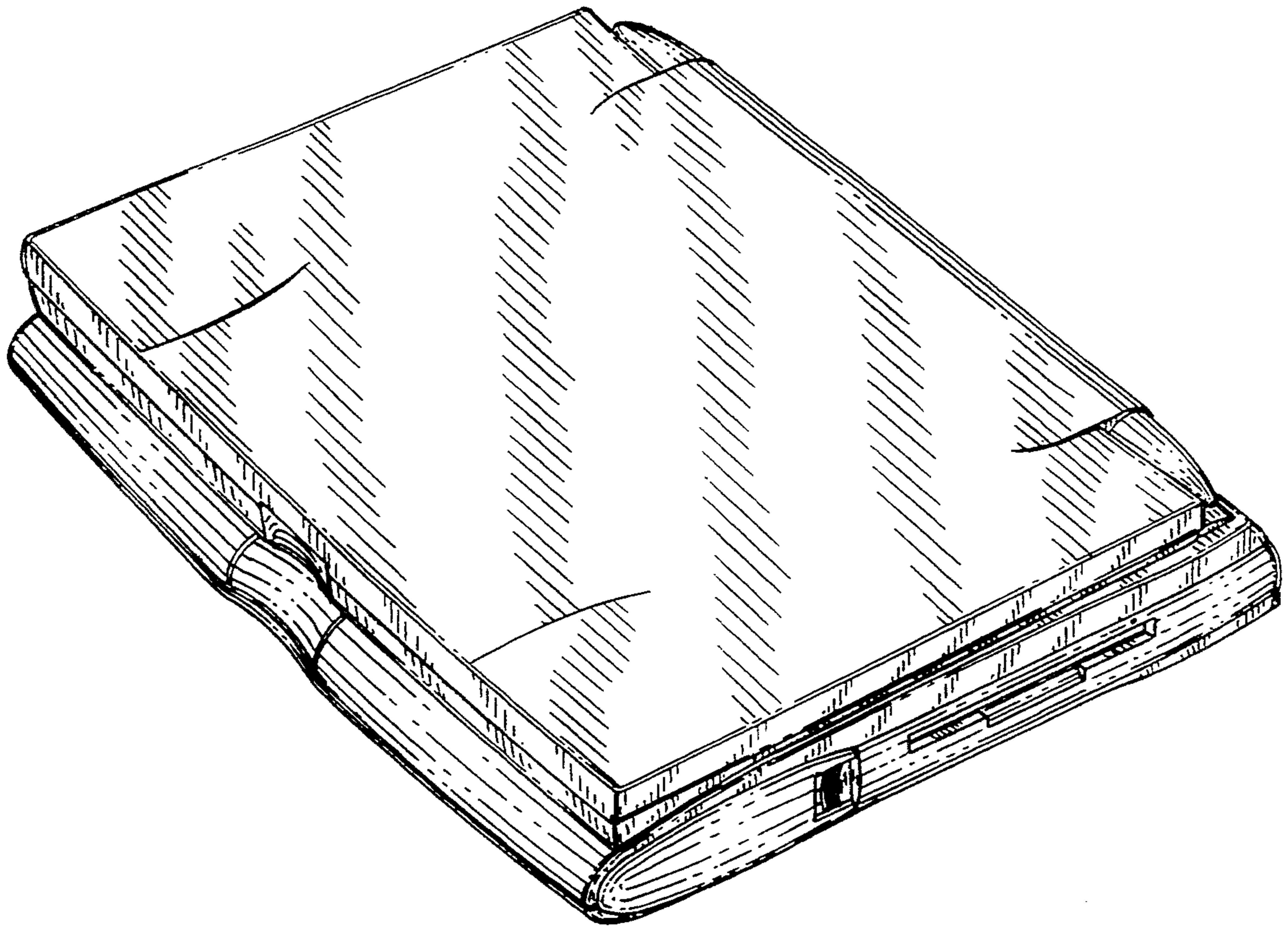
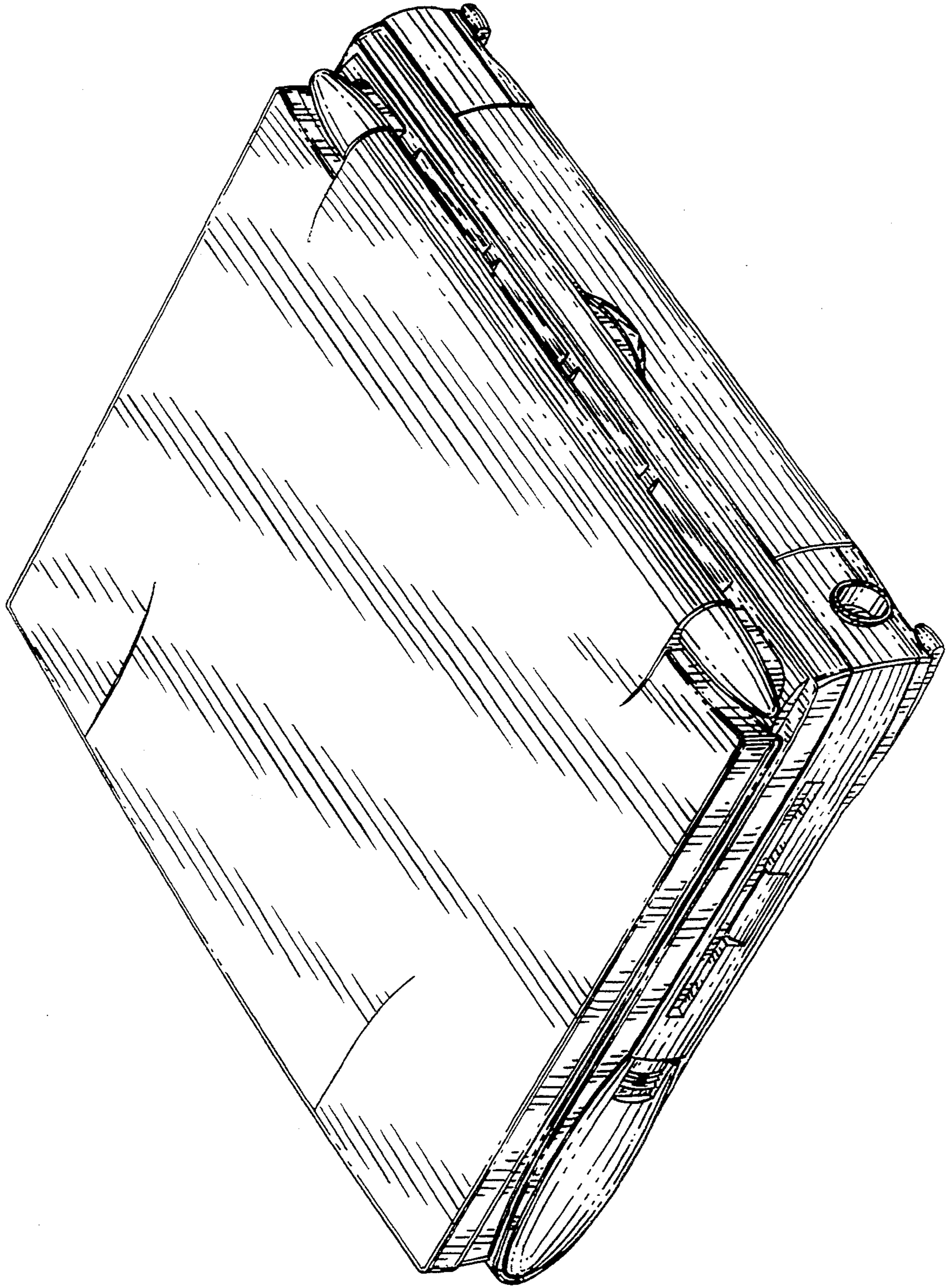




FIG 8





DESIGN

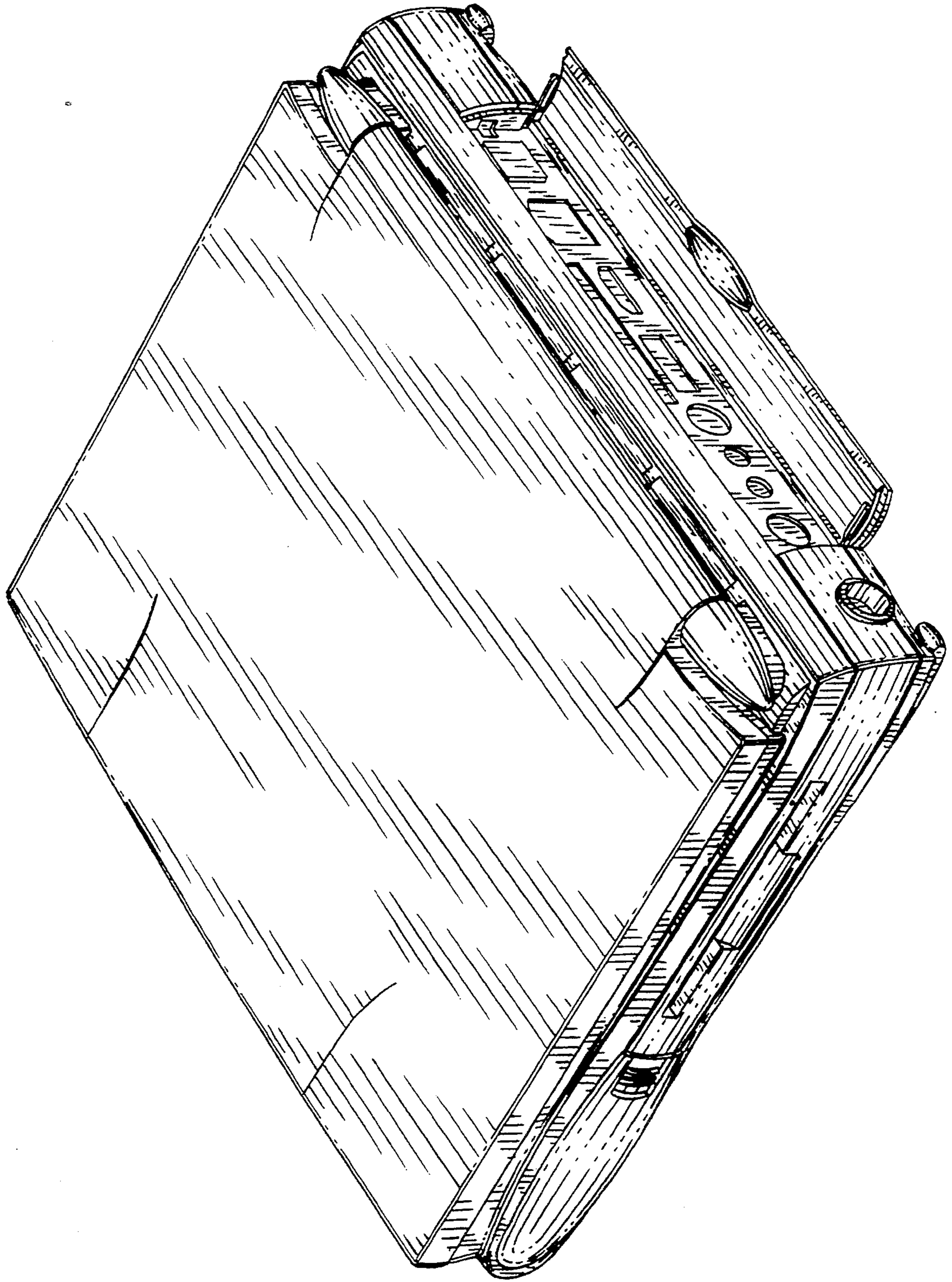


FIG. 10

FIG. 11

