



US00D361552S

United States Patent [19] Iino

[11] Patent Number: **Des. 361,552**
[45] Date of Patent: **** Aug. 22, 1995**

[54] **ELECTRONIC COMPUTER**
[75] Inventor: **Masaaki Iino**, Yokohama, Japan
[73] Assignee: **Kabushiki Kaisha Toshiba**,
Kanagawa, Japan
[**] Term: **14 Years**
[21] Appl. No.: **25,233**
[22] Filed: **Jun. 28, 1994**

[30] **Foreign Application Priority Data**
Feb. 22, 1994 [JP] Japan 6-4062
[52] U.S. Cl. **D14/100**
[58] Field of Search D14/100, 106, 113, 115,
D14/124-127; D19/26, 52, 59, 60, 62; 345/104,
156, 173, 901, 905, 168; 364/708.1, 709.04,
709.12; 434/307-309, 317; 178/18, 19

[56] **References Cited**
U.S. PATENT DOCUMENTS
D. 270,061 8/1983 Ackeret D6/308
D. 270,062 8/1983 Ackeret D6/308
D. 270,063 8/1983 Ackeret D6/308
D. 289,873 5/1987 Gemmell et al. D14/113
D. 315,549 3/1991 Clough et al. D14/100
D. 315,549 3/1991 Clough et al. D14/100
D. 317,151 5/1991 Daly D14/100

D. 319,433 8/1991 Pearce D14/100
D. 332,776 1/1993 Kelly et al. D14/100
D. 337,569 7/1993 Kando D14/100
D. 340,701 10/1993 Takeuchi D14/100
D. 341,823 11/1993 Sakai D14/100
D. 345,346 3/1994 Alfonso et al. .
D. 346,793 5/1994 Iino et al. D14/100
D. 352,279 11/1994 Foy et al. D14/100
D. 355,170 2/1995 Mizusugi et al. D14/100

FOREIGN PATENT DOCUMENTS

92007366 2/1991 Germany .
850525 10/1992 Japan .

Primary Examiner—Freda S. Nunn
Attorney, Agent, or Firm—Banner & Allegretti, Ltd.

[57] CLAIM

The ornamental design for an electronic computer, as shown and described.

DESCRIPTION

FIG. 1 is a top, front and right side perspective view of an electronic computer showing my new design;
FIG. 2 is a top plan view thereof;
FIG. 3 is a left side elevational view thereof;
FIG. 4 is a right side elevational view thereof;
FIG. 5 is a bottom plan view thereof;
FIG. 6 is a rear elevational view thereof; and,
FIG. 7 is a front elevational view thereof.

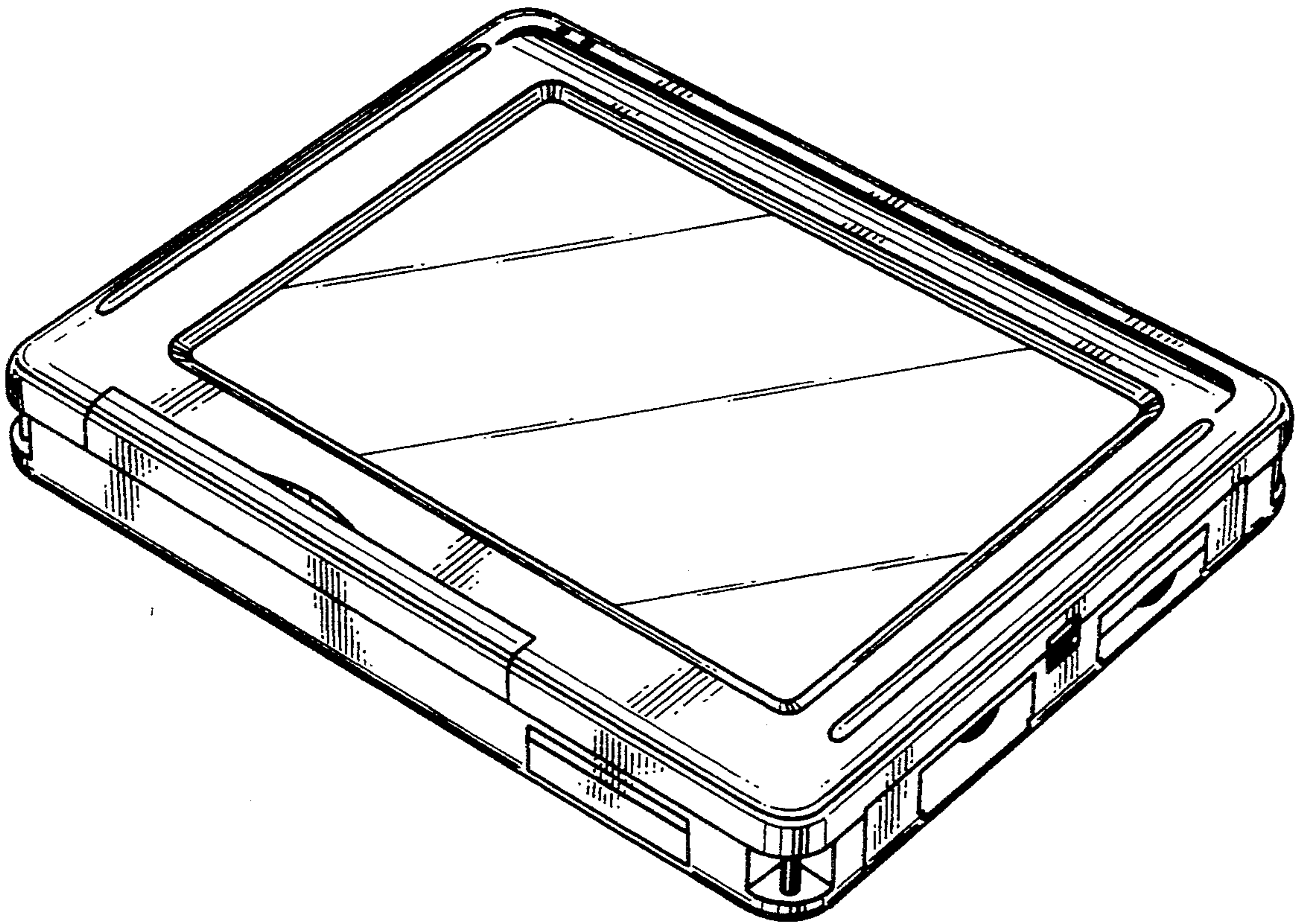


FIG. 1

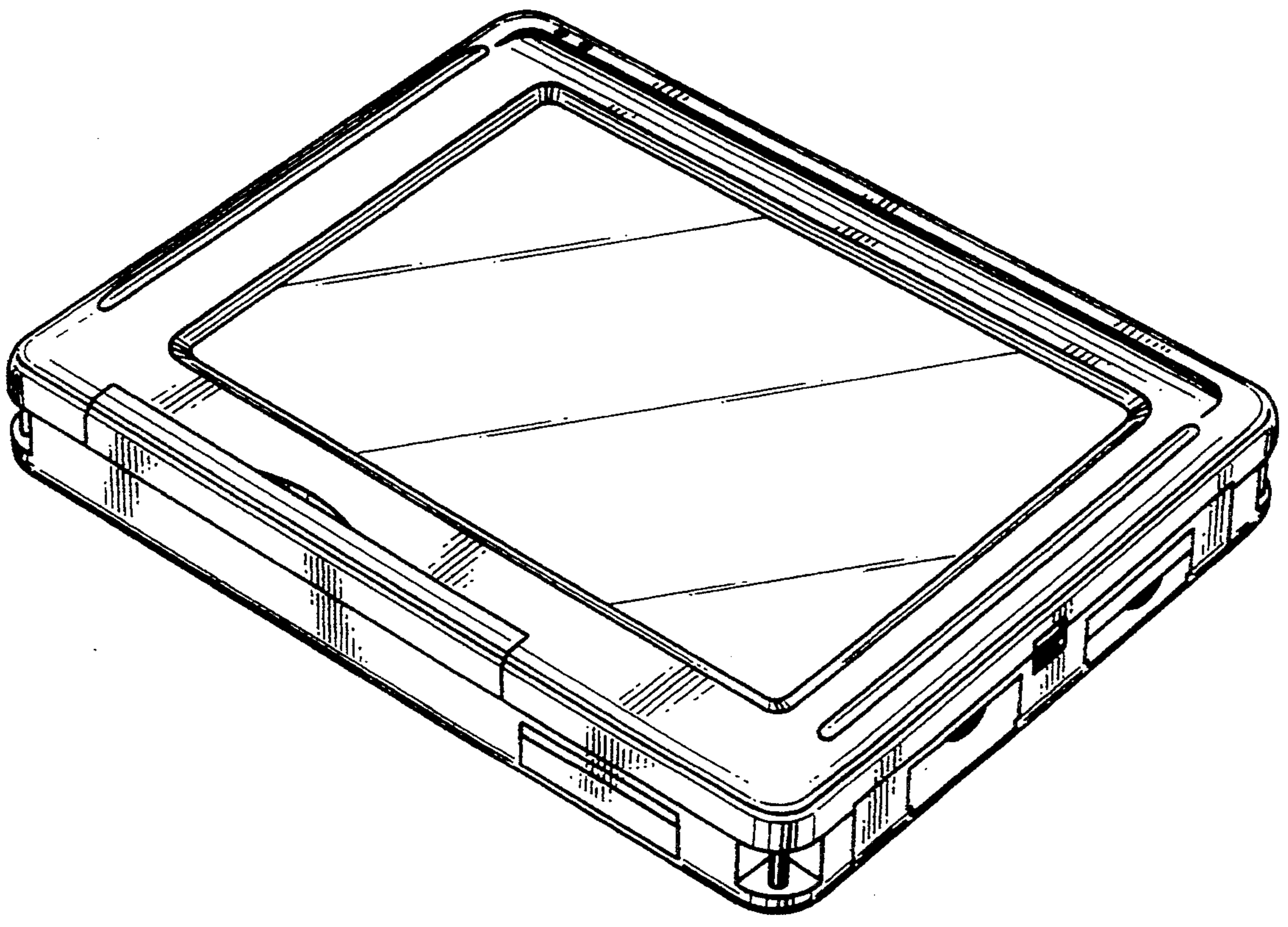


FIG. 2

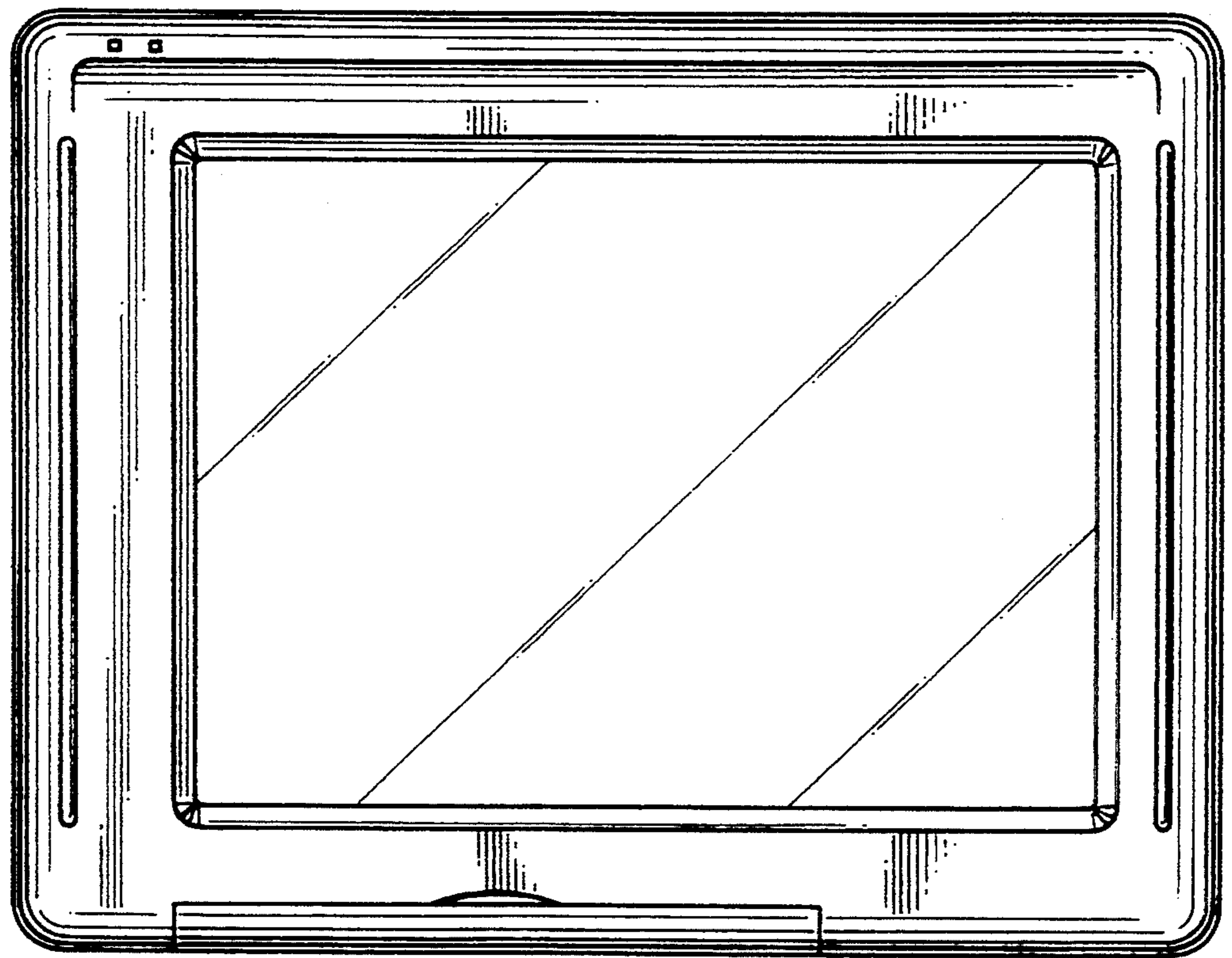


FIG.3

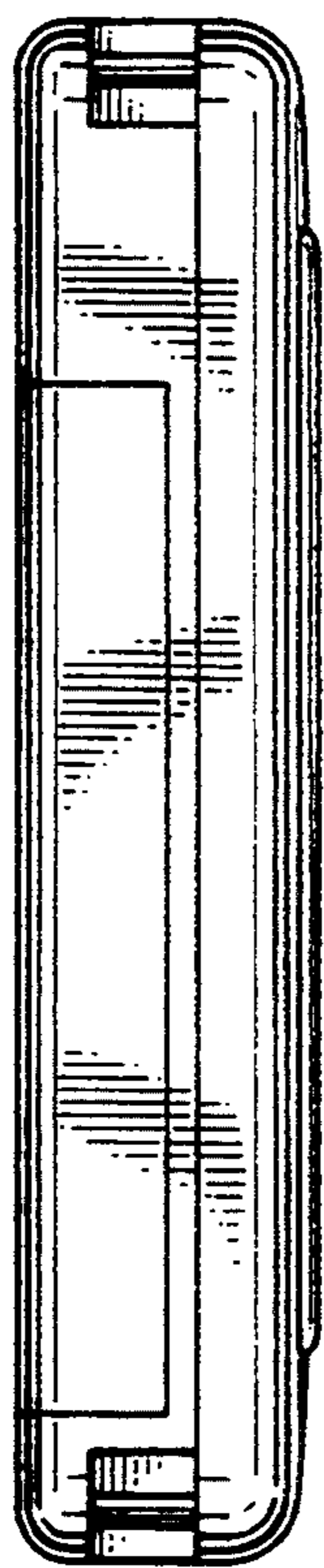


FIG.4

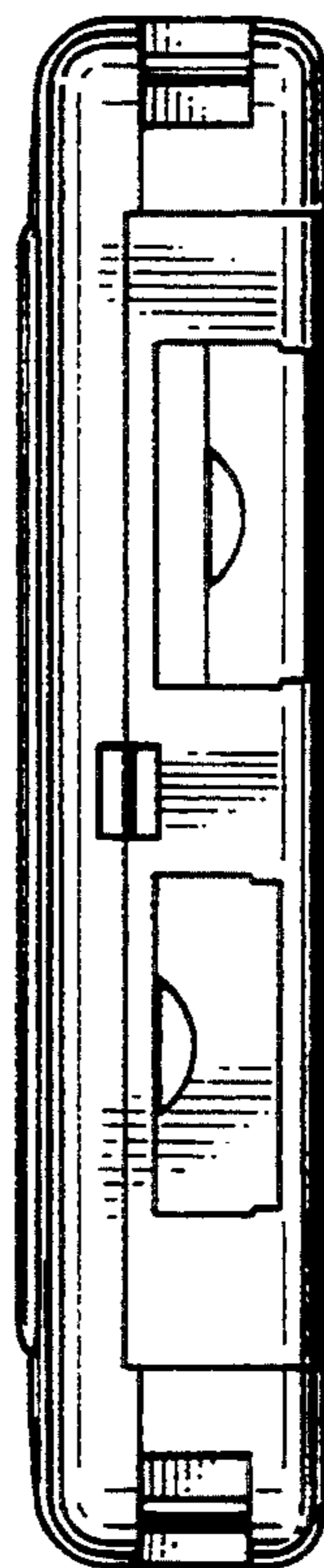


FIG.5

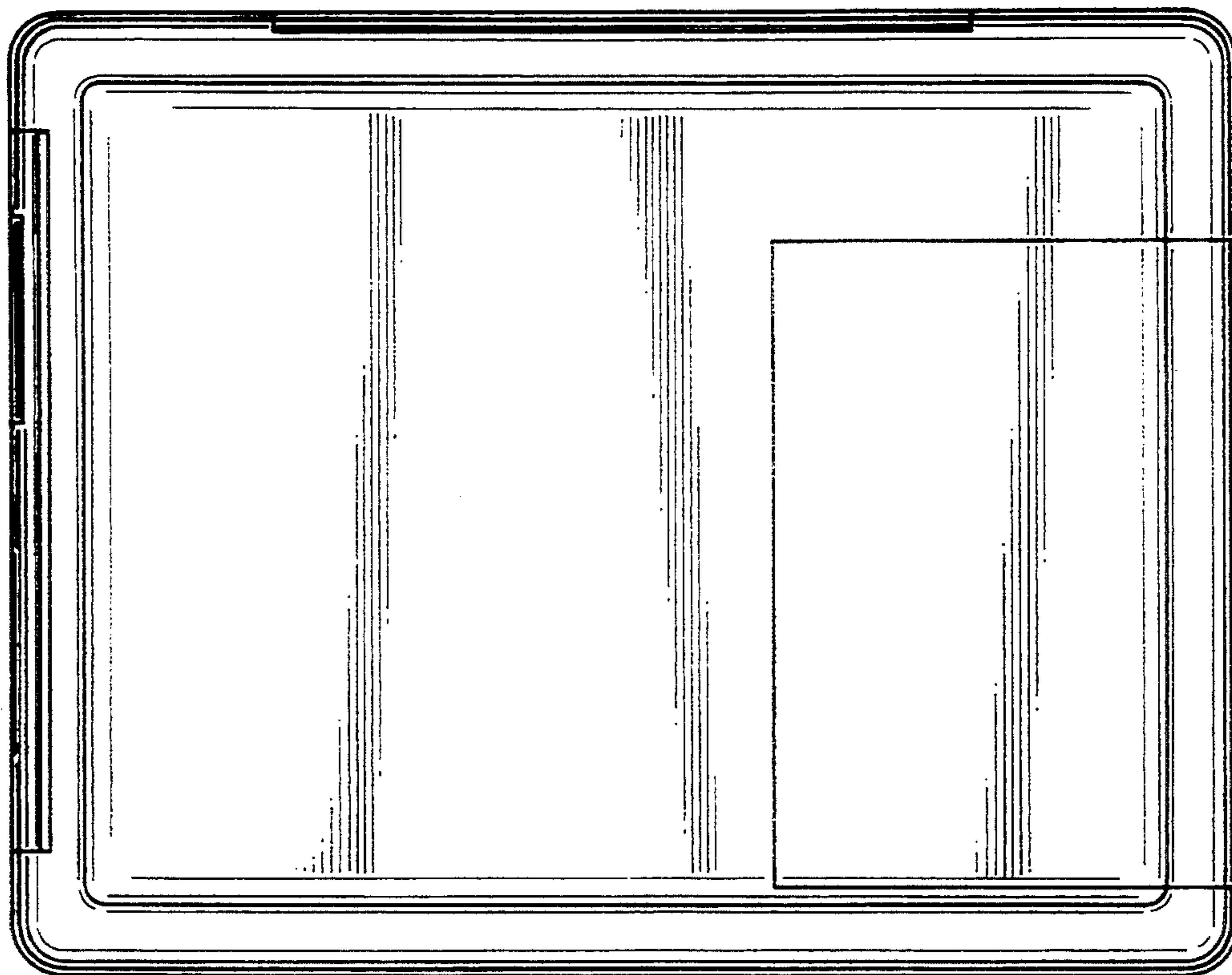


FIG.6

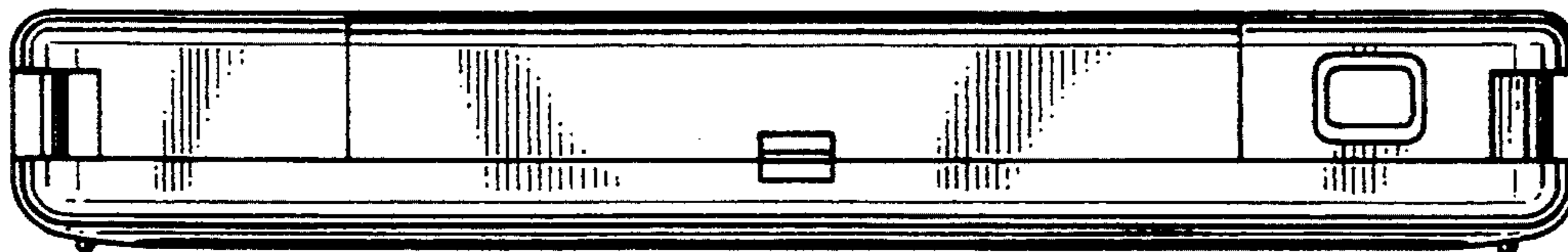


FIG.7

