



US00D361544S

# United States Patent [19]

Eisenbraun

[11] Patent Number: **Des. 361,544**

[45] Date of Patent: **\*\* Aug. 22, 1995**

[54] SUCTION CUP MIRROR

[75] Inventor: **Kenneth D. Eisenbraun**, Birmingham, Mich.

[73] Assignee: **United Industrial Trading Corp.**, Troy, Mich.

[\*\*] Term: **14 Years**

[21] Appl. No.: **25,757**

[22] Filed: **Jul. 11, 1994**

[52] U.S. Cl. .... **D12/187**

[58] Field of Search ..... D6/300-303, D6/308-314; 40/152, 152.1, 152.2, 158.1, 159, 160, 597, 606; D20/40, 42, 10; 248/467; D12/187; 359/838, 841, 844, 872, 875, 879

[56] **References Cited**

**U.S. PATENT DOCUMENTS**

Re. 32,639	4/1988	Vitaloni	.....	D12/187
D. 271,480	11/1983	Vitaloni	.....	D12/187
D. 281,775	12/1985	Tanaka	.....	D12/187

D. 283,998	5/1986	Tanaka	.....	D12/187
3,901,587	8/1975	Hale	.....	359/872 X

**FOREIGN PATENT DOCUMENTS**

372485 6/1990 United Kingdom ..... 359/875

*Primary Examiner*—Janice E. Seeger  
*Attorney, Agent, or Firm*—Gifford, Krass, Groh, Sprinkle, Patmore, Anderson & Citkowski

[57] **CLAIM**

The ornamental design for a suction cup mirror, as shown and described.

**DESCRIPTION**

FIG. 1 is a front perspective view of a suction cup mirror showing my new design; FIG. 2 is a front plan view thereof; FIG. 3 is a rear plan view thereof; FIG. 4 is a top plan view thereof; FIG. 5 is a bottom plan view thereof; and, FIG. 6 is a side plan view thereof, the opposite side being a mirror image thereof.

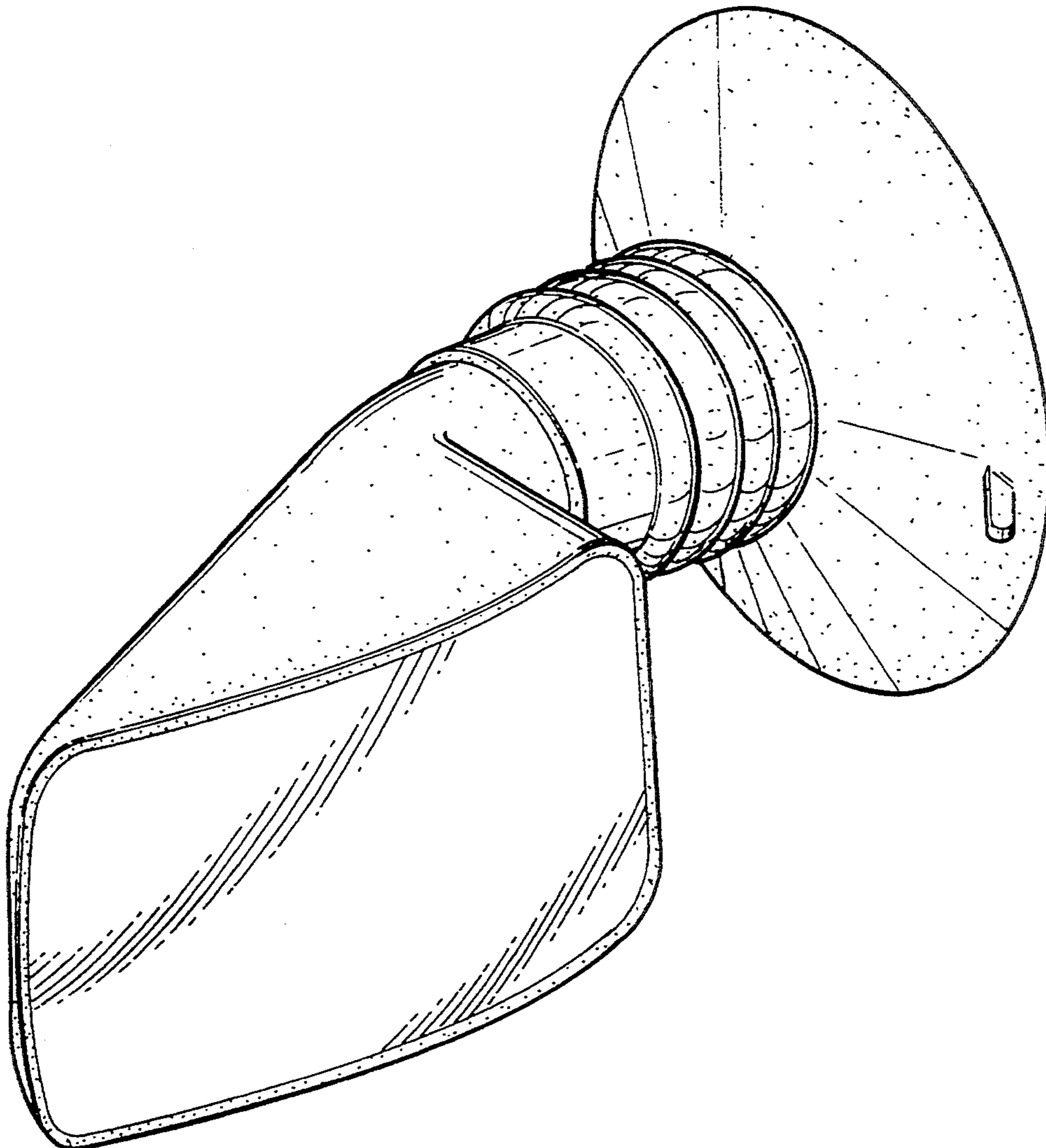


FIG-1

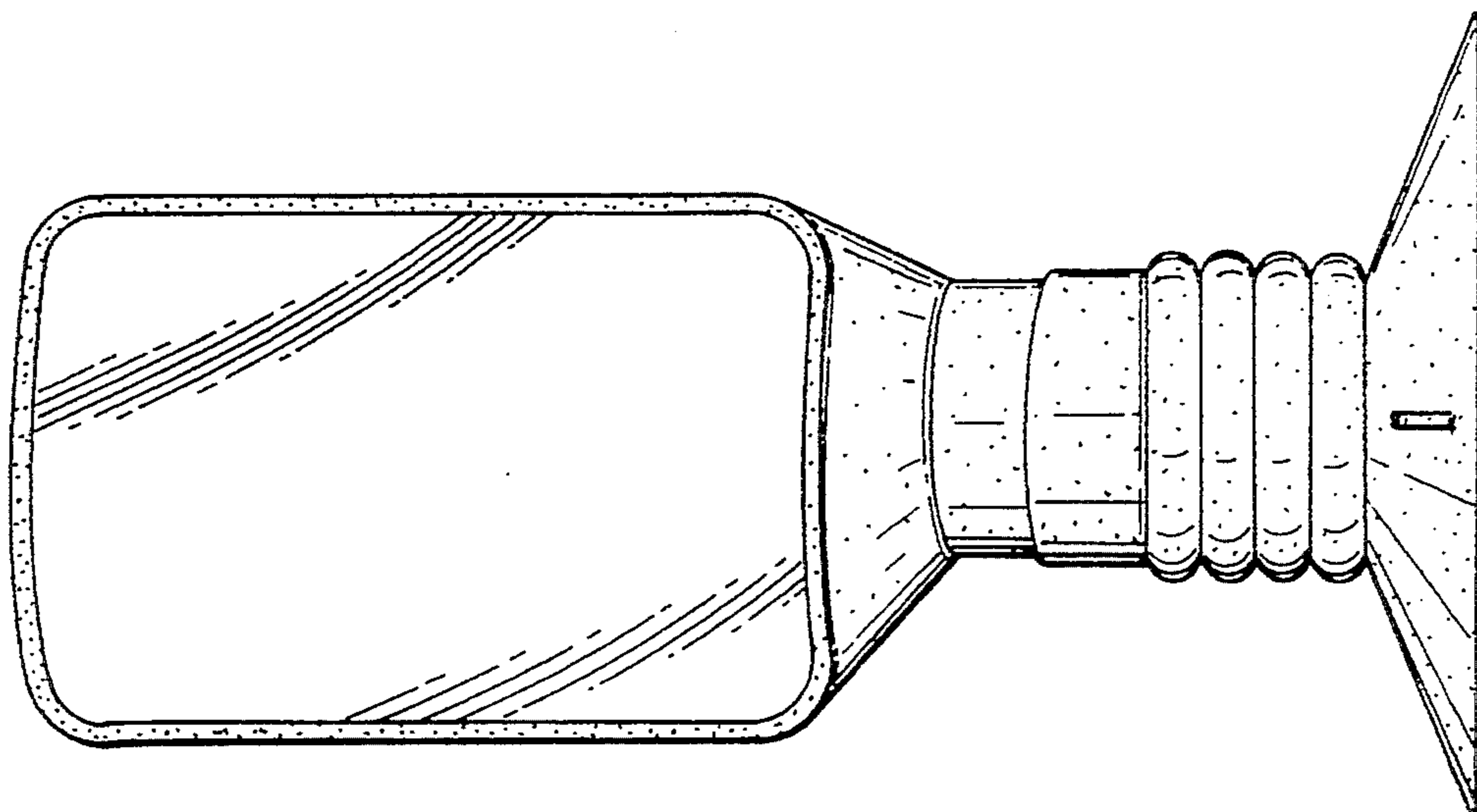
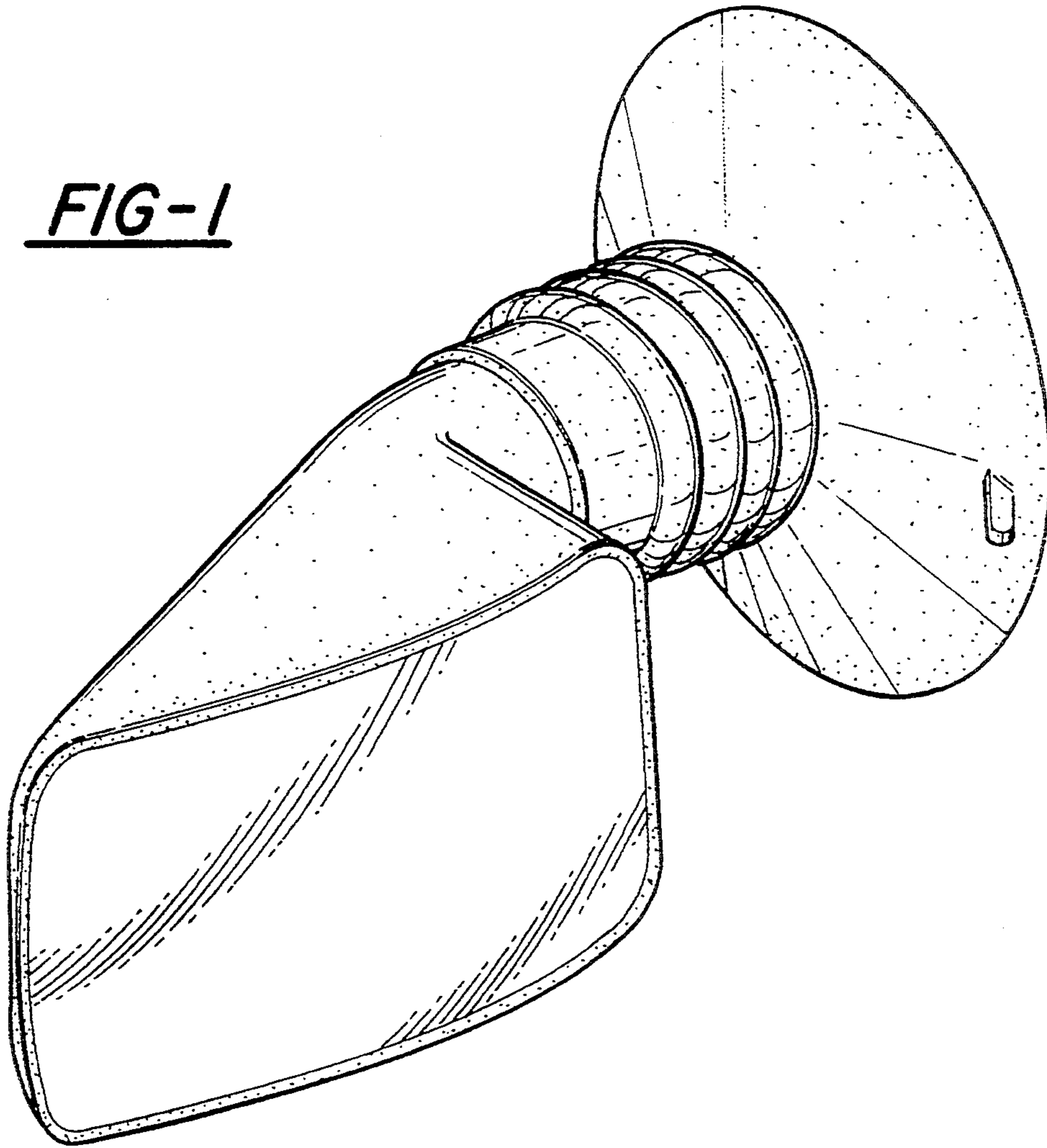


FIG-2

FIG-3

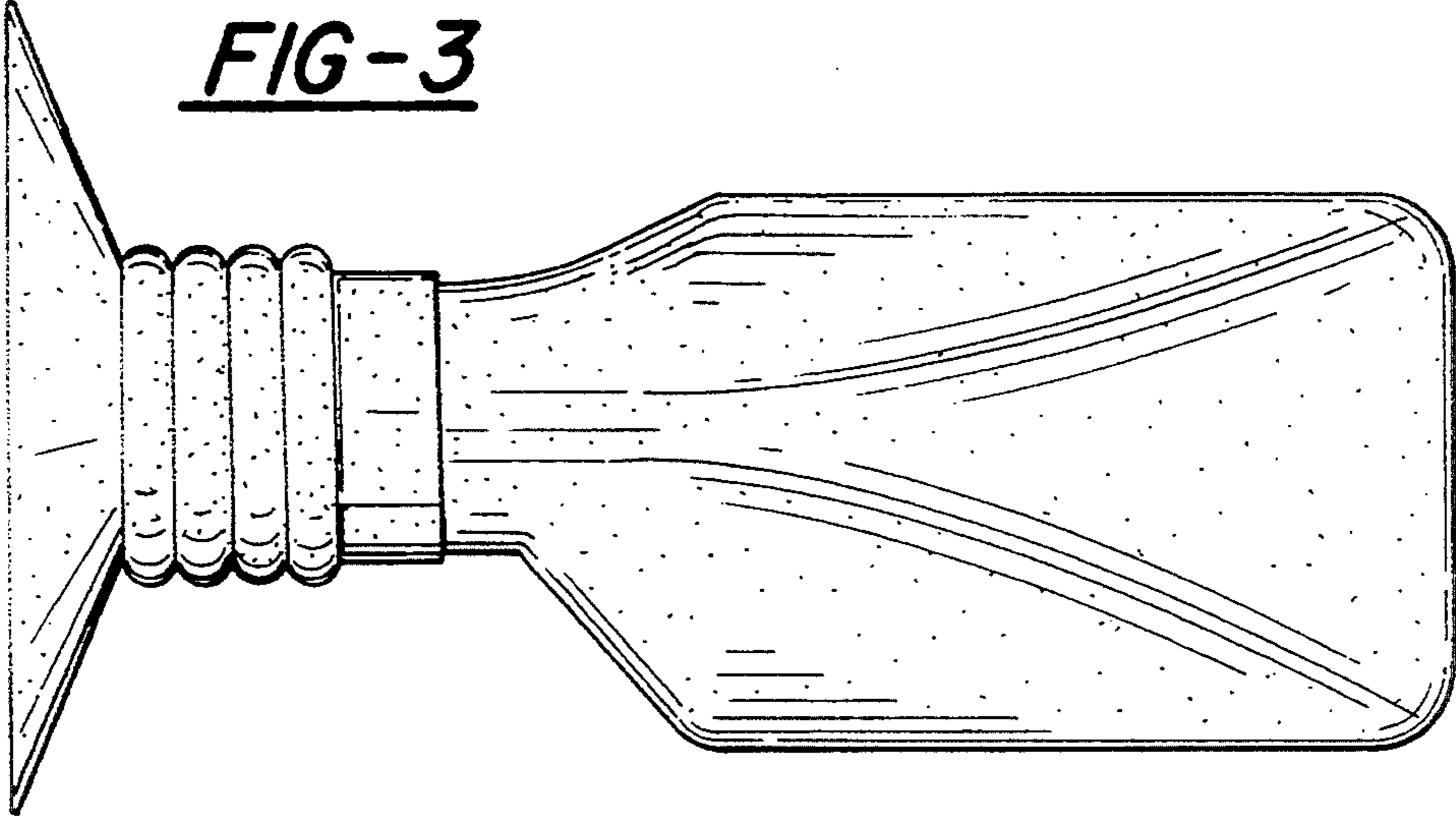


FIG-4

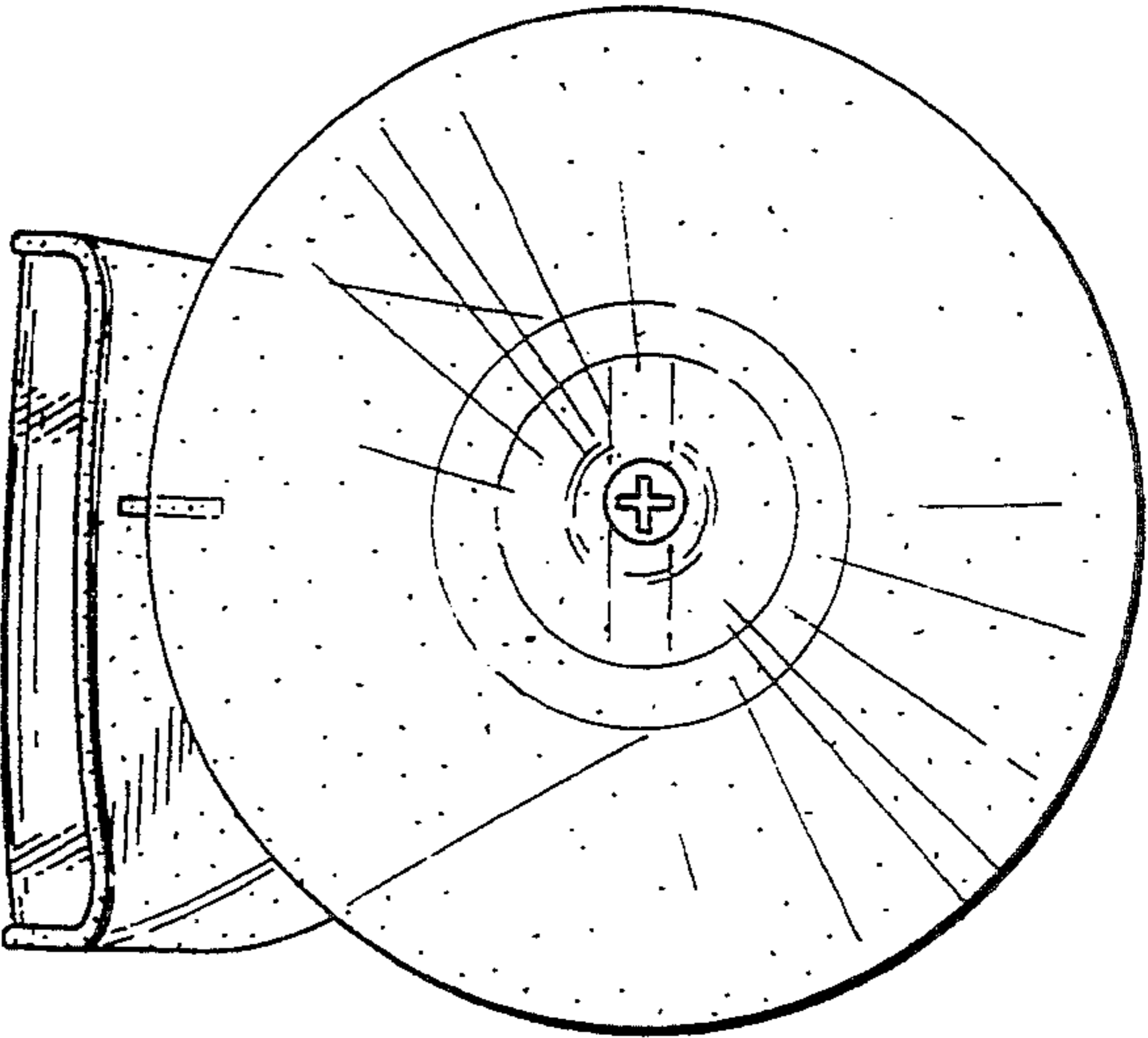
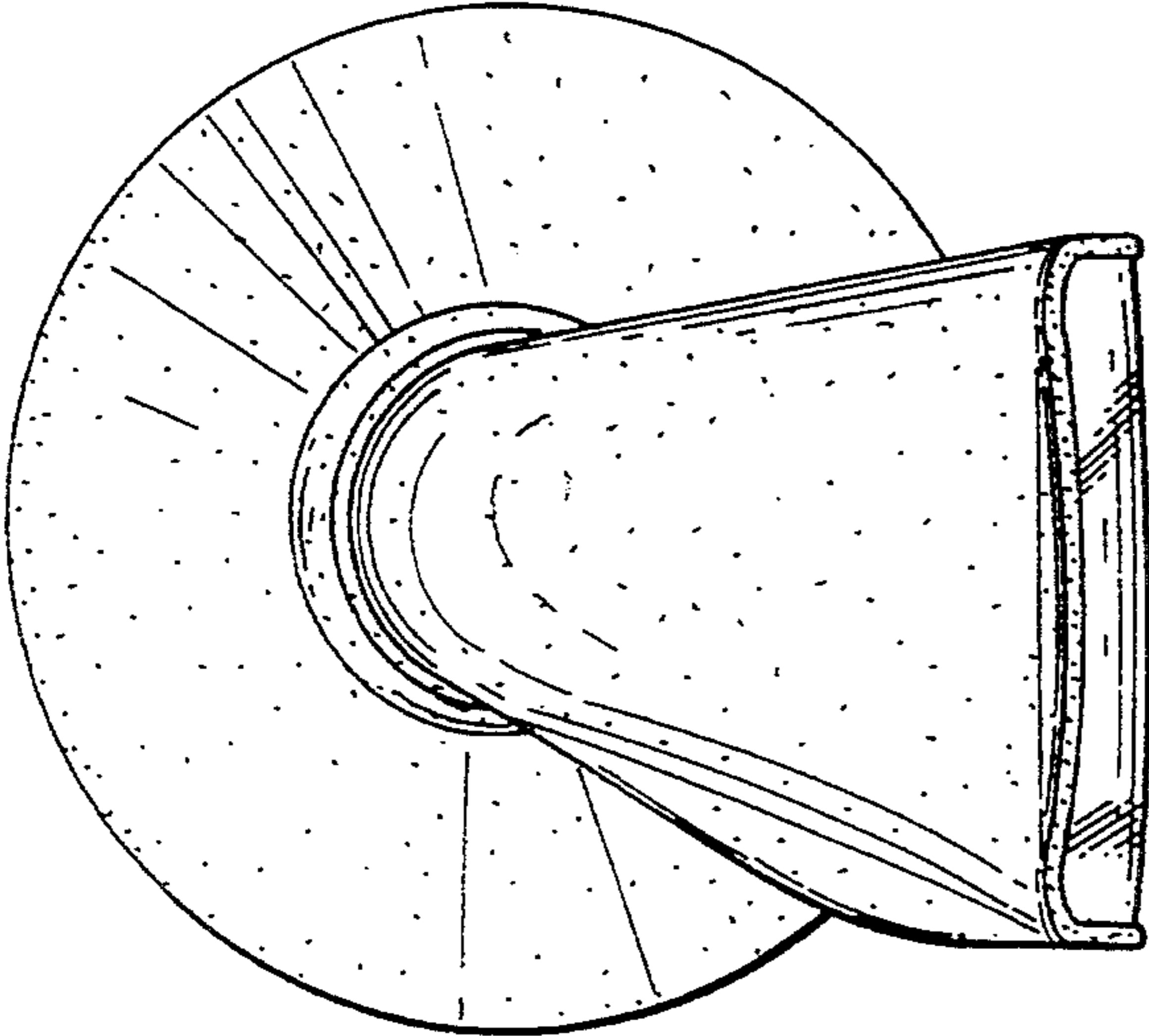


FIG-5

FIG-6

