



US00D361543S

United States Patent [19]

[11] Patent Number: **Des. 361,543**

Haney et al.

[45] Date of Patent: **** Aug. 22, 1995**

[54] **BICYCLE FAIRING**

[75] Inventors: **Paul Haney, Dayton; Tim Dietz, Springboro, both of Ohio**

[73] Assignee: **Huffy Corporation, Miamisburg, Ohio**

[**] Term: **14 Years**

[21] Appl. No.: **16,877**

[22] Filed: **Dec. 29, 1993**

[52] U.S. Cl. **D12/182**

[58] Field of Search **D12/182, 110; 296/78.1**

[56] **References Cited**

U.S. PATENT DOCUMENTS

D. 245,329	8/1977	Wiegert	D12/182
D. 258,127	9/1981	Kamoto	D12/182
D. 272,615	2/1984	Ito	D12/182
D. 326,637	6/1992	Dietz	D12/182
4,514,006	4/1985	Maruoka	296/78.1
4,655,497	4/1987	Mallet	296/78.1

4,776,624	10/1988	Sakuma et al.	296/78.1
4,790,555	12/1988	Nobife	D12/182
4,813,583	3/1989	Carpenter	296/78.1

Primary Examiner—A. Hugo Word
Assistant Examiner—M. Brown
Attorney, Agent, or Firm—Biebel & French

[57] **CLAIM**

The ornamental design for a bicycle fairing, as shown and described.

DESCRIPTION

FIG. 1 is a front and right side perspective view of a bicycle fairing showing our new design, it being understood that the broken lines are for illustrative purposes only and form no part of the claimed design; FIG. 2 is a top plan view thereof; FIG. 3 is a front elevational view thereof; FIG. 4 is a bottom plan view thereof; FIG. 5 is a rear elevational view thereof; and, FIG. 6 is a right side elevational view thereof, the opposite side thereof being identical.

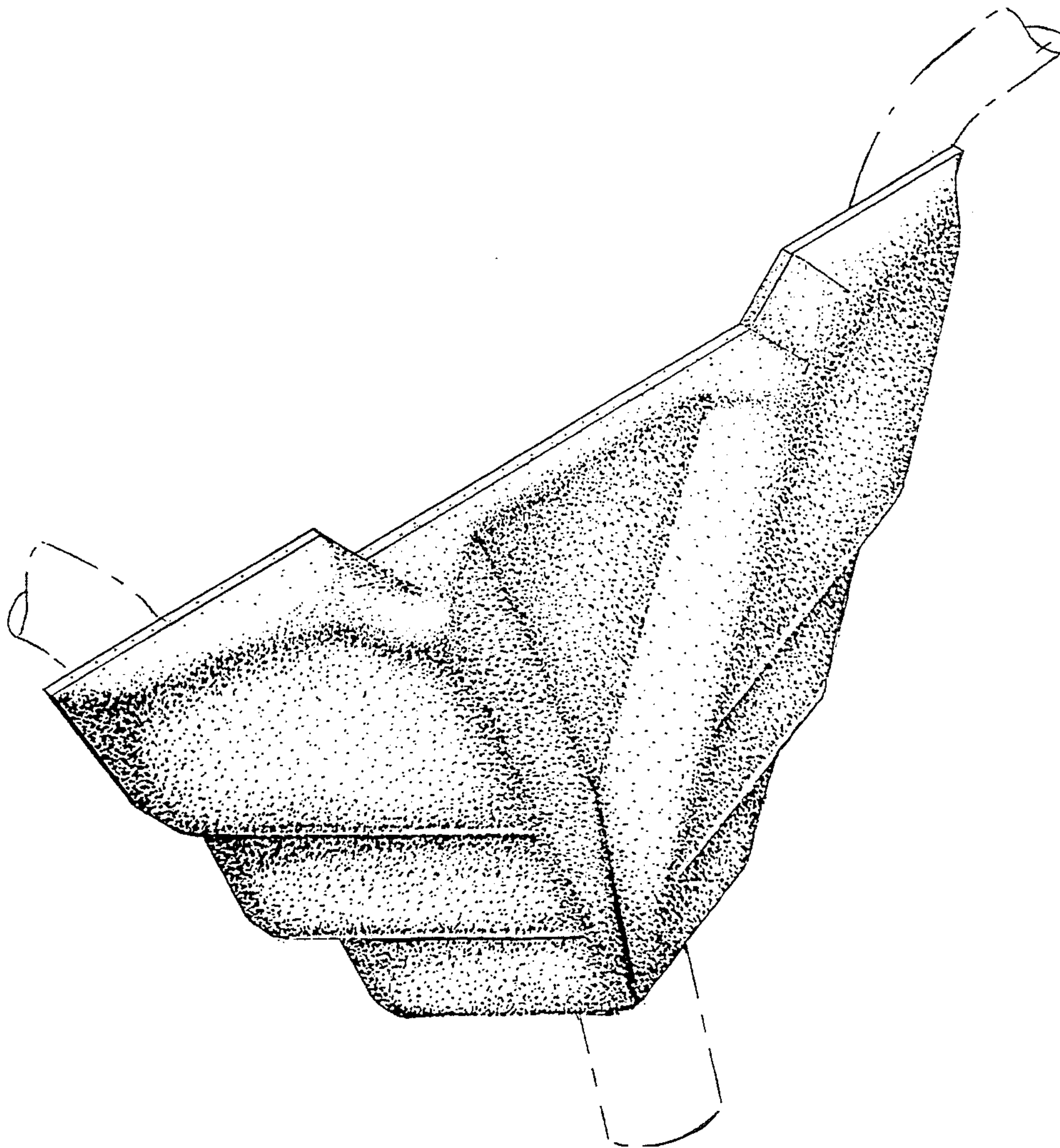


FIG-1

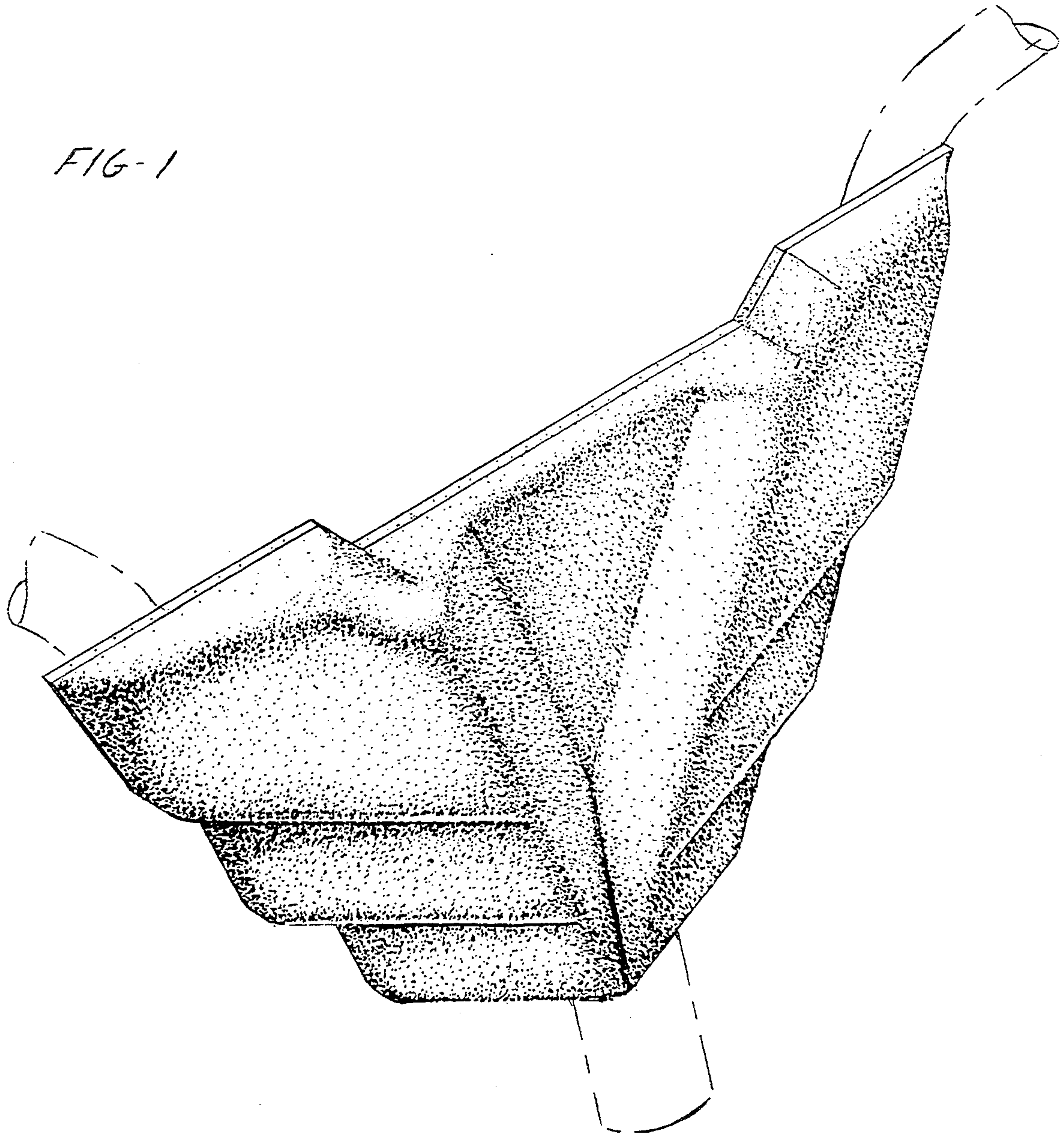


FIG-2

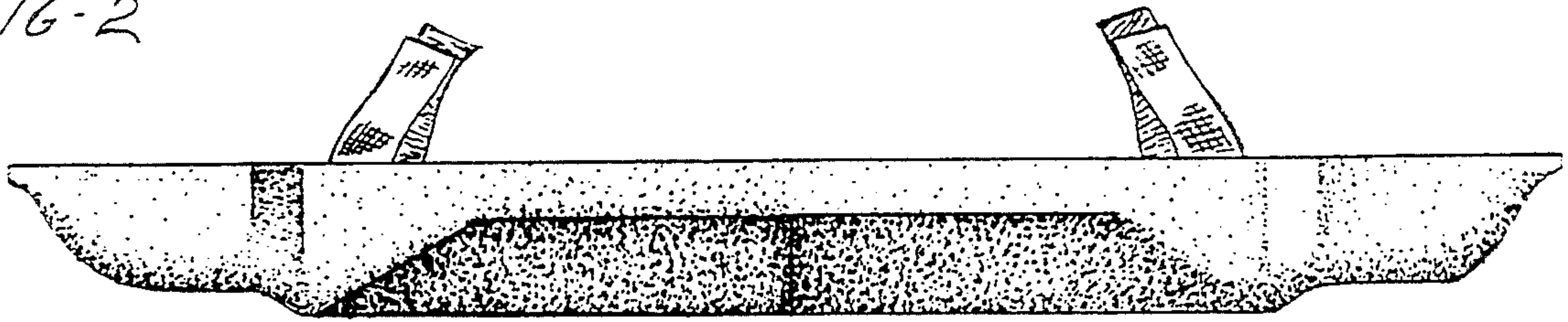


FIG-3

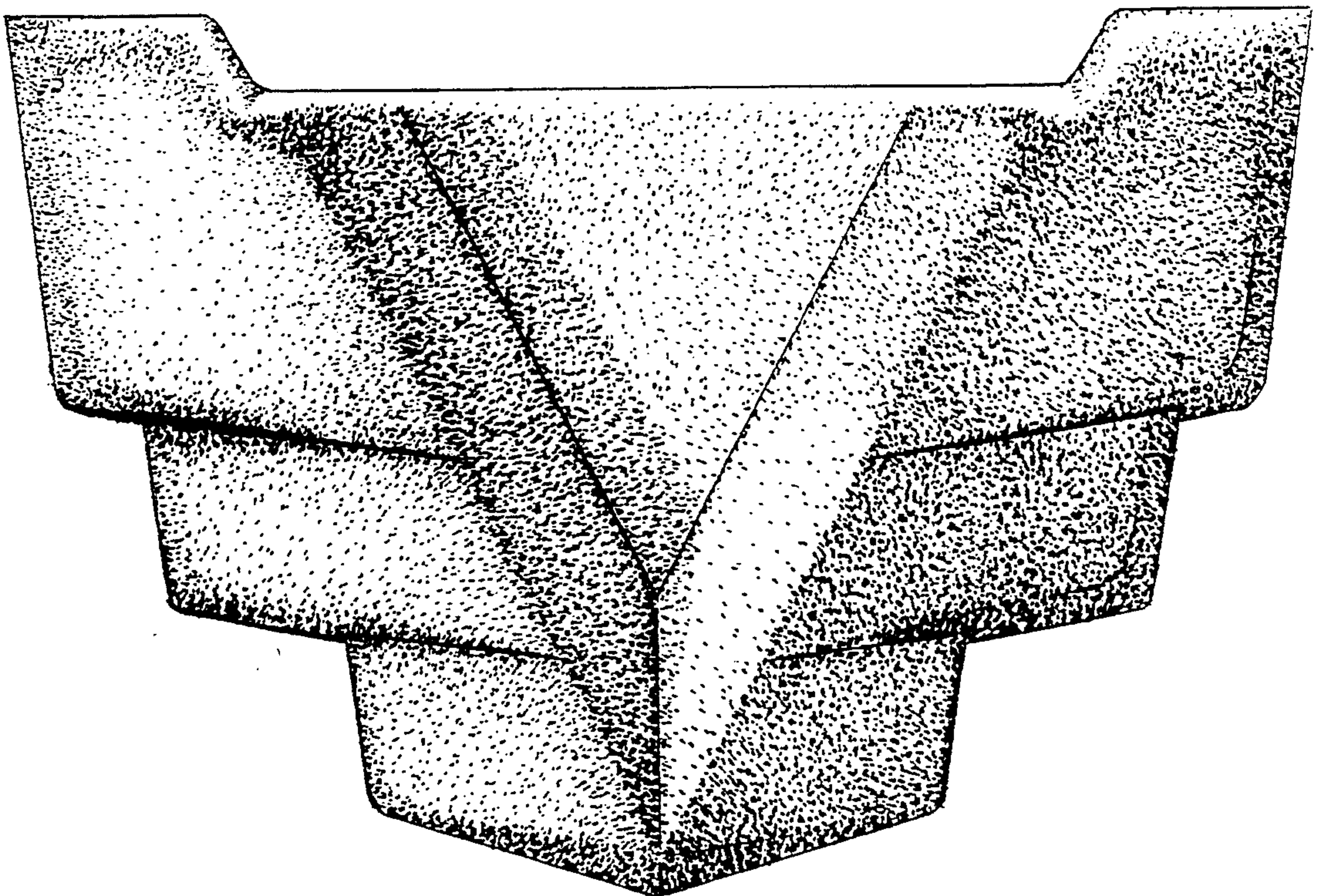


FIG-4

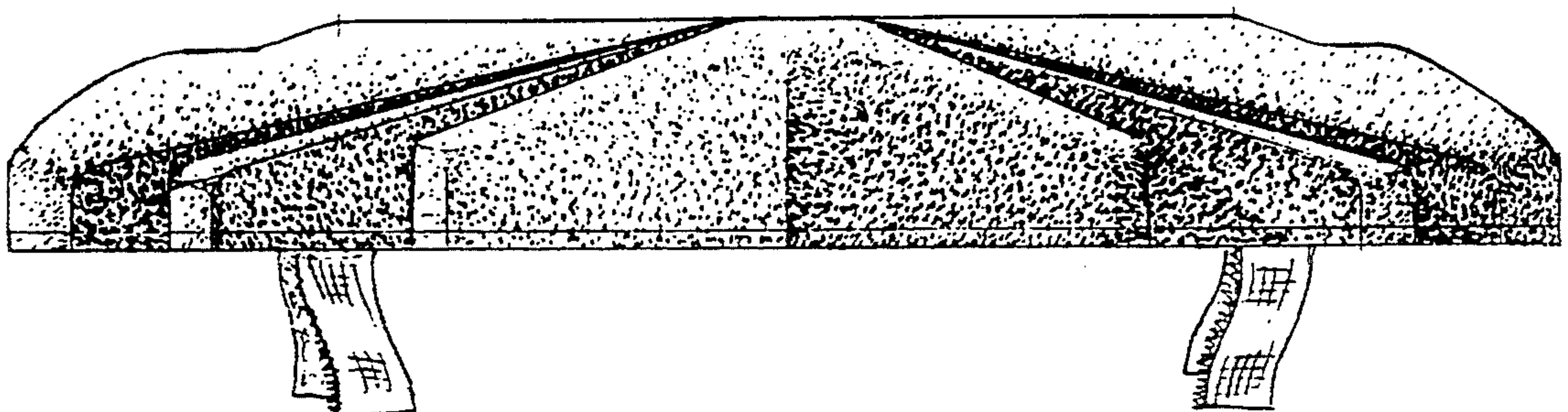


FIG-5

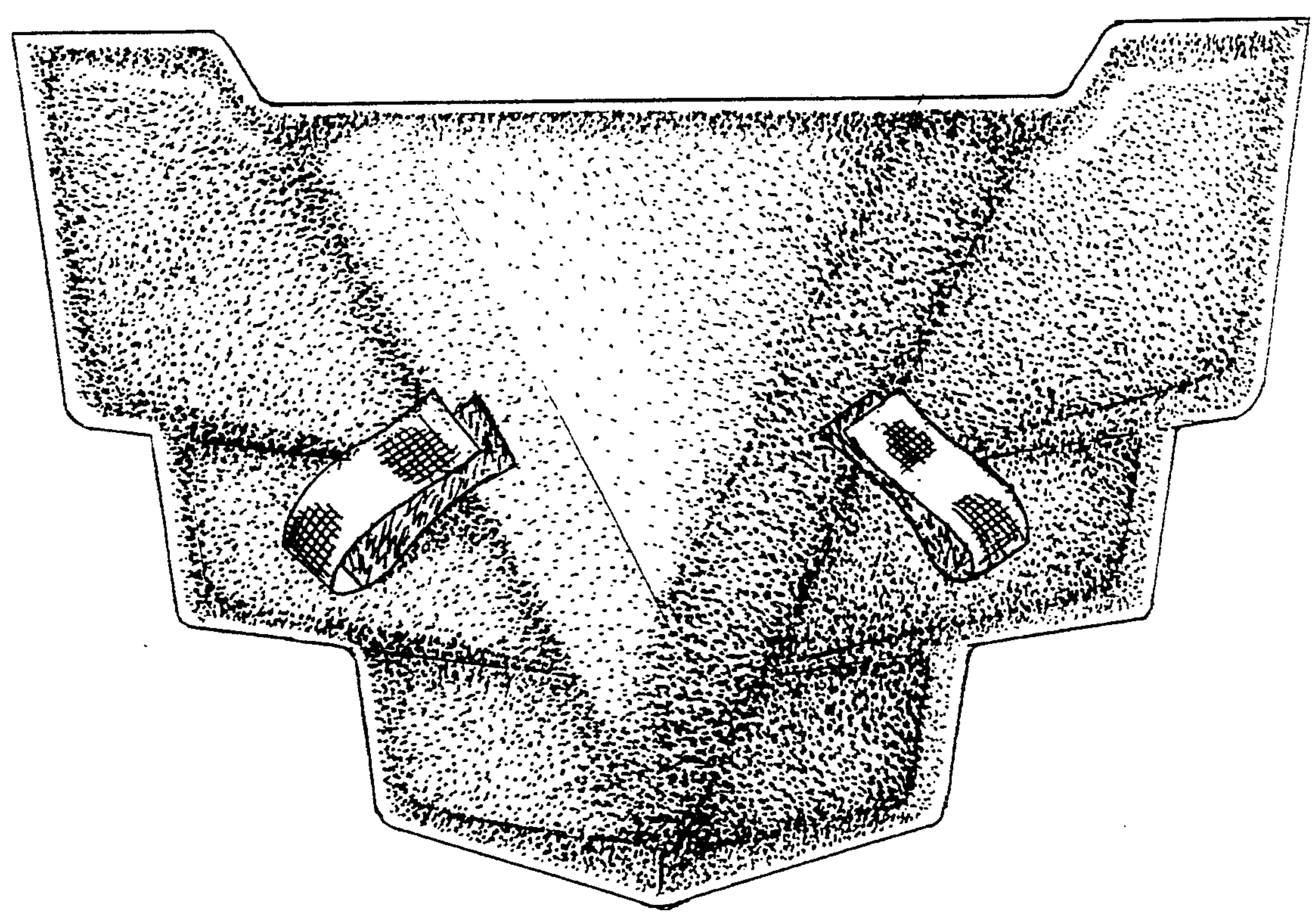


FIG-6

