



US00D361536S

# United States Patent [19]

[11] Patent Number: **Des. 361,536**

Pagani et al.

[45] Date of Patent: **\*\* Aug. 22, 1995**

[54] **BICYCLE HORN**  
[75] Inventors: **David A. Pagani; Anthony D. Pagani,**  
both of Montpelier, Vt.

D. 288,246 2/1987 Wing ..... D10/120  
D. 316,055 4/1991 Rixen ..... D10/120  
D. 323,128 1/1992 Moran ..... D10/120

[73] Assignee: **New Ventures Product Development  
and Marketing, Inc.,** Montpelier, Vt.

*Primary Examiner*—Susan J. Lucas  
*Assistant Examiner*—Marcus Jackson  
*Attorney, Agent, or Firm*—Thompson, Hine and Flory

[\*\*] Term: **14 Years**

[57] **CLAIM**

[21] Appl. No.: **30,385**

The ornamental design for a bicycle horn, as shown and described.

[22] Filed: **Oct. 28, 1994**

**DESCRIPTION**

[52] U.S. Cl. .... **D10/120**

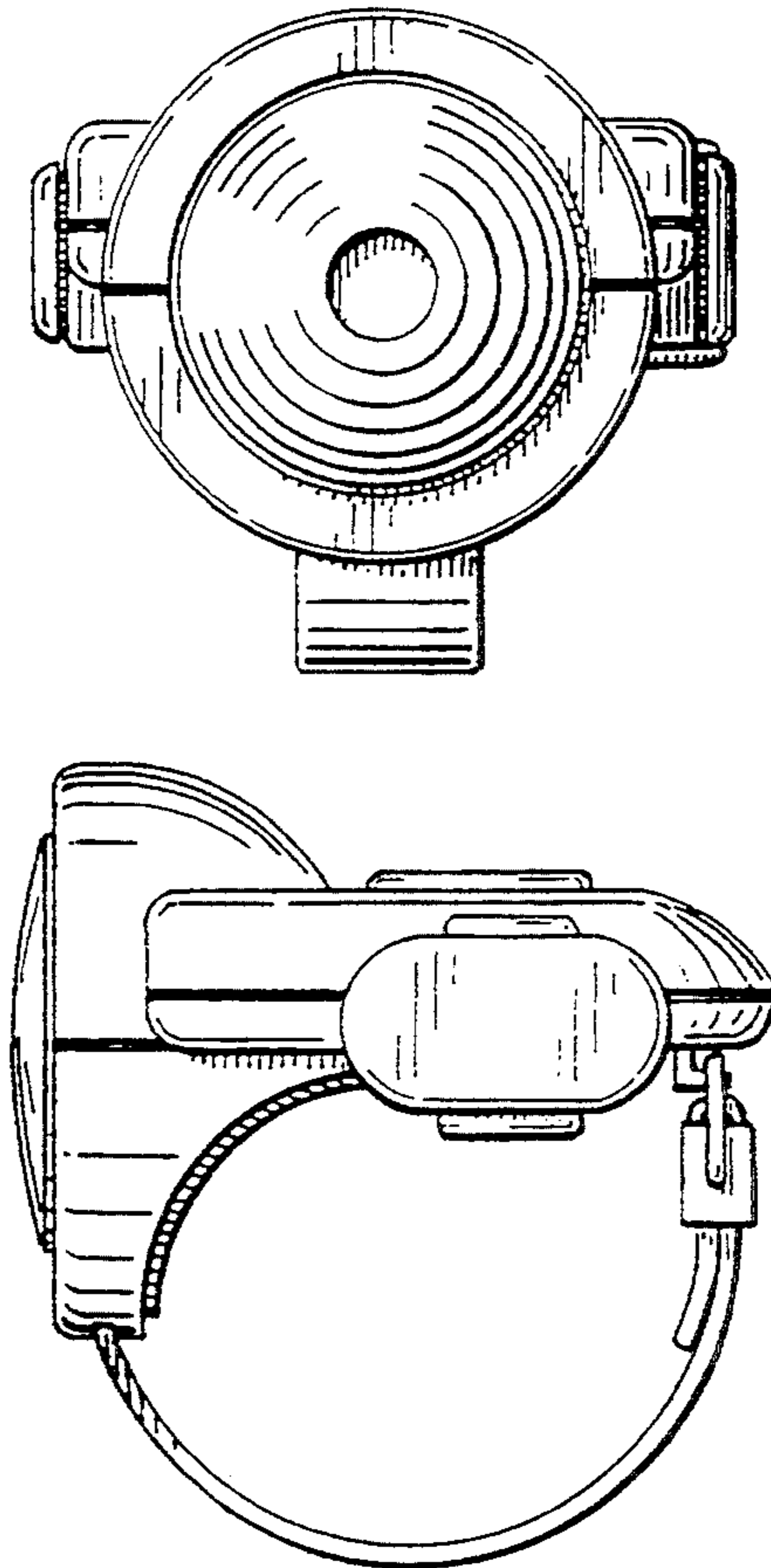
[58] Field of Search ..... D10/104, 116, 117, 118,  
D10/120, 121; 340/425.5, 427, 428, 432, 384 R,  
388, 392

FIG. 1 is a front perspective view of our new bicycle horn;  
FIG. 2 is a back view thereof;  
FIG. 3 is a top view thereof;  
FIG. 4 is a bottom view thereof;  
FIG. 5 is a side view thereof; and,  
FIG. 6 is a side view opposite the side view shown in  
FIG. 5.

[56] **References Cited**

**U.S. PATENT DOCUMENTS**

D. 277,268 1/1985 Cutlip et al. .... D10/120



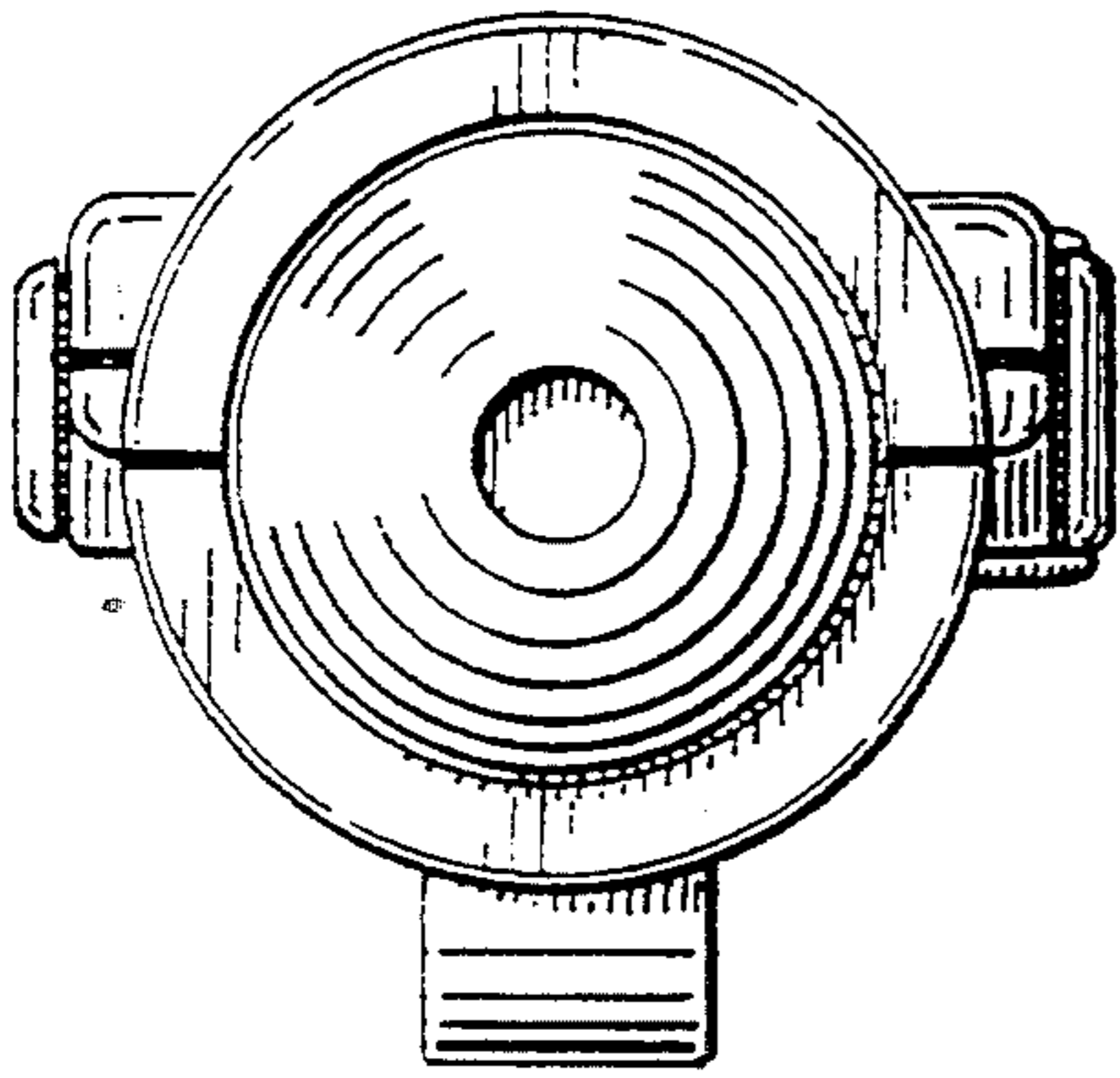


FIG. 1

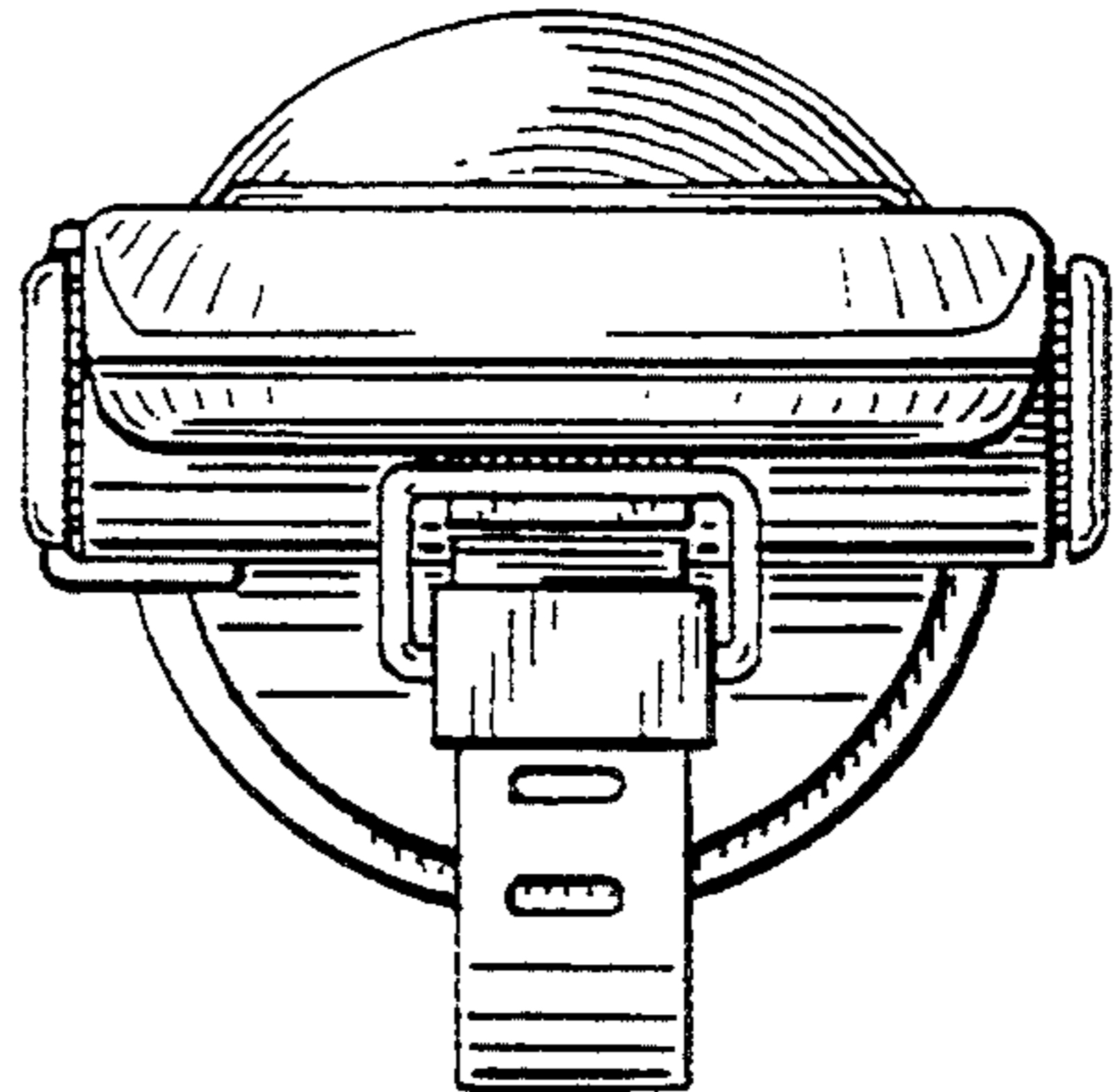


FIG. 2

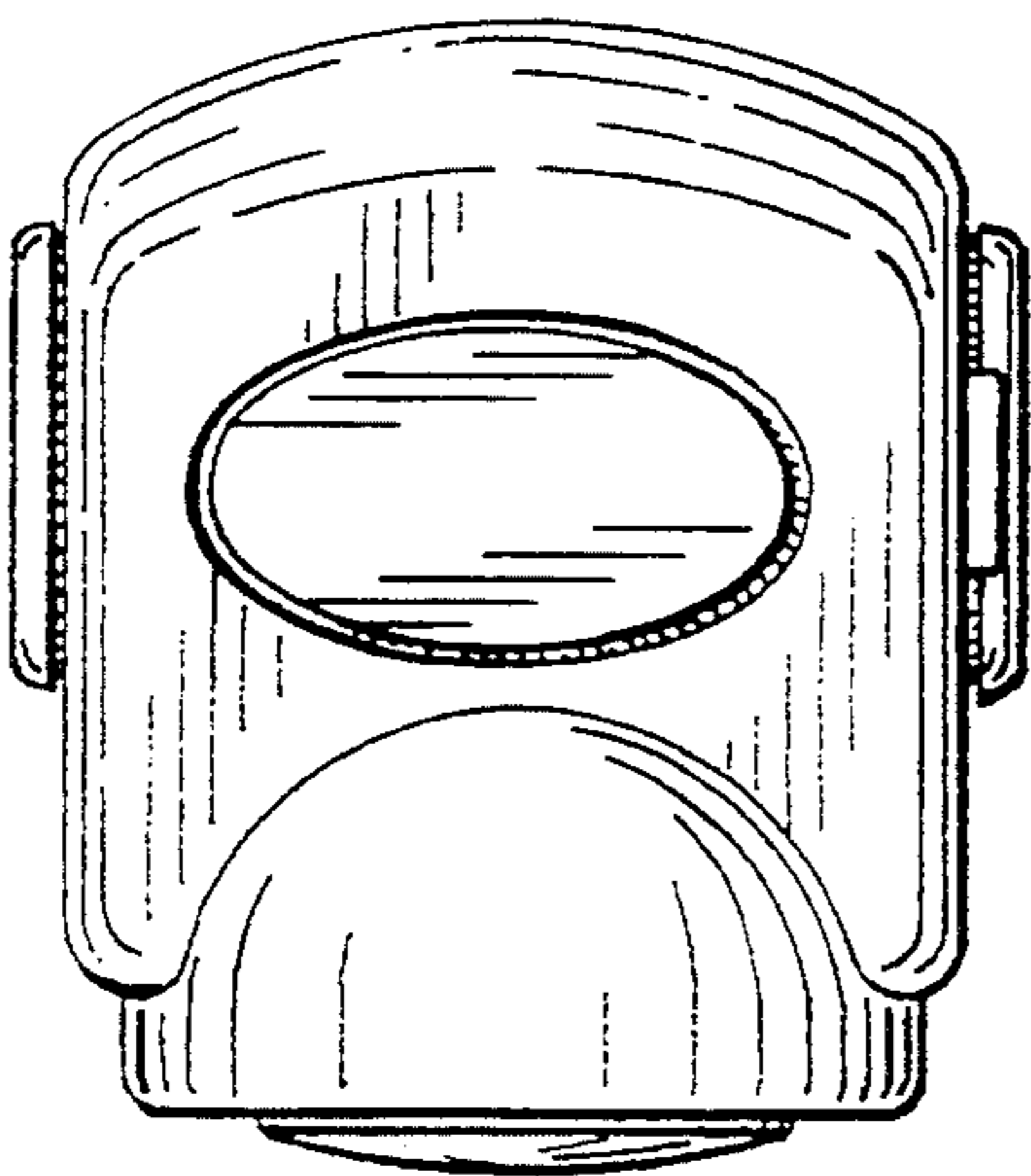


FIG. 3

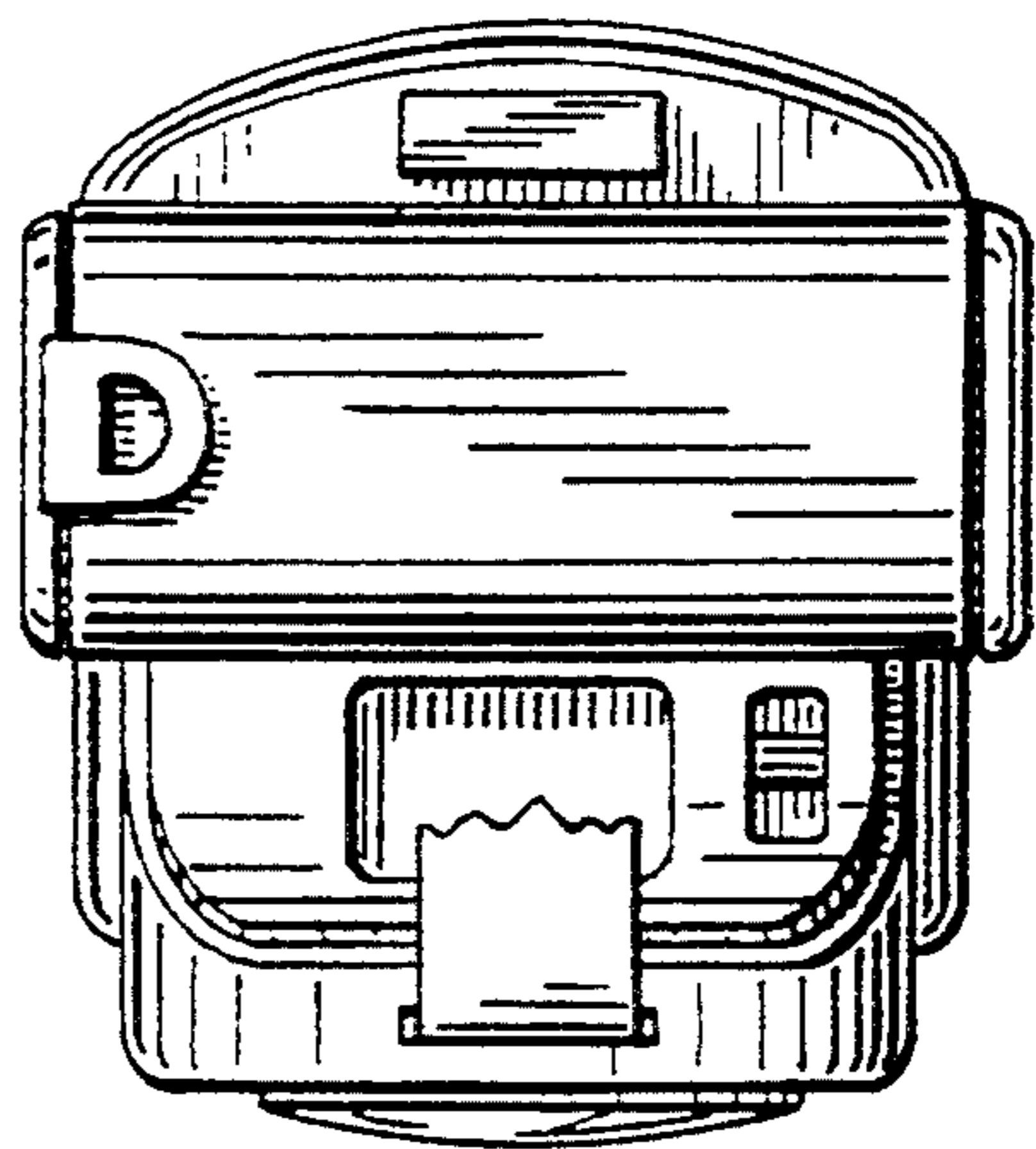


FIG. 4

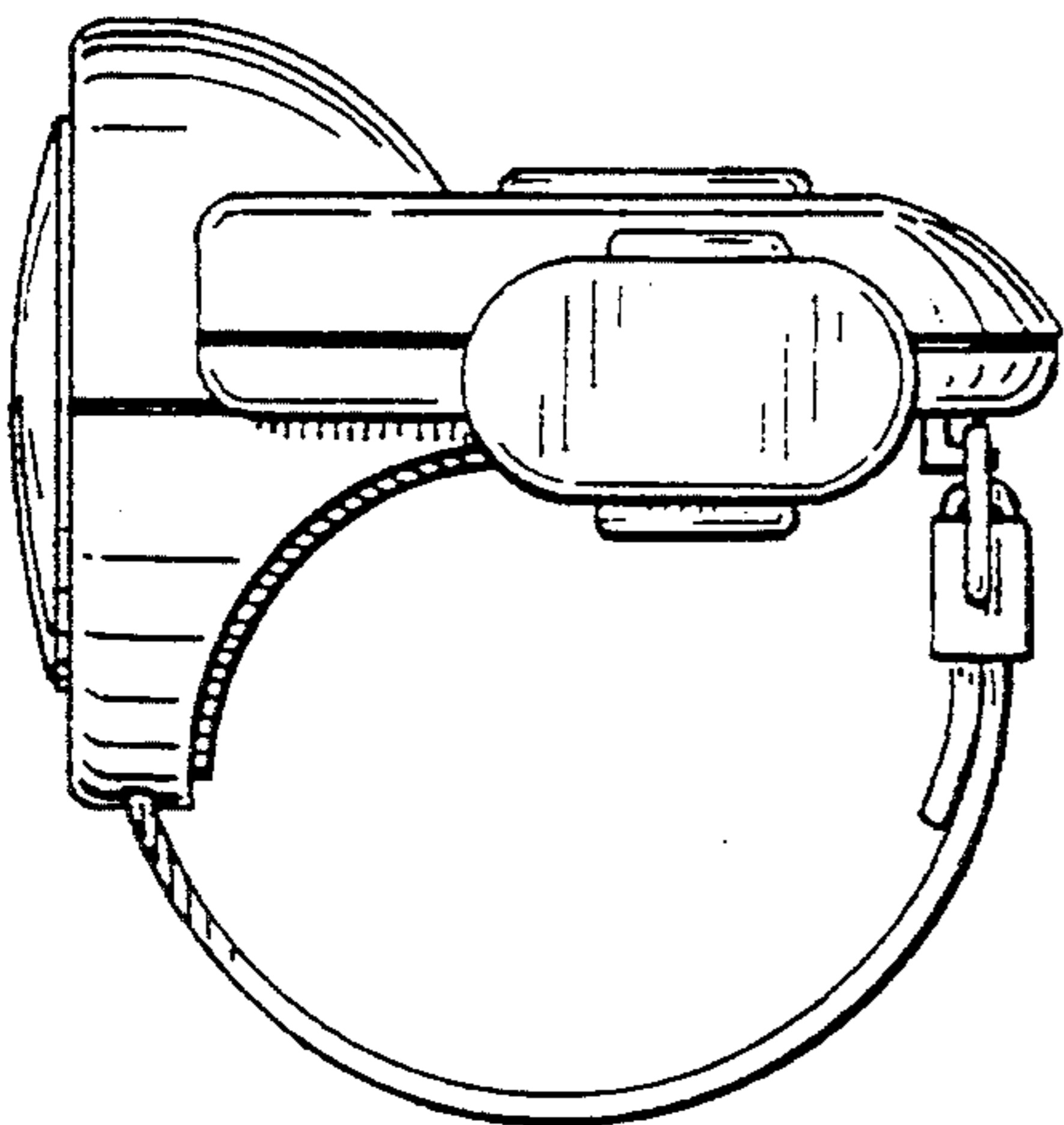


FIG. 5

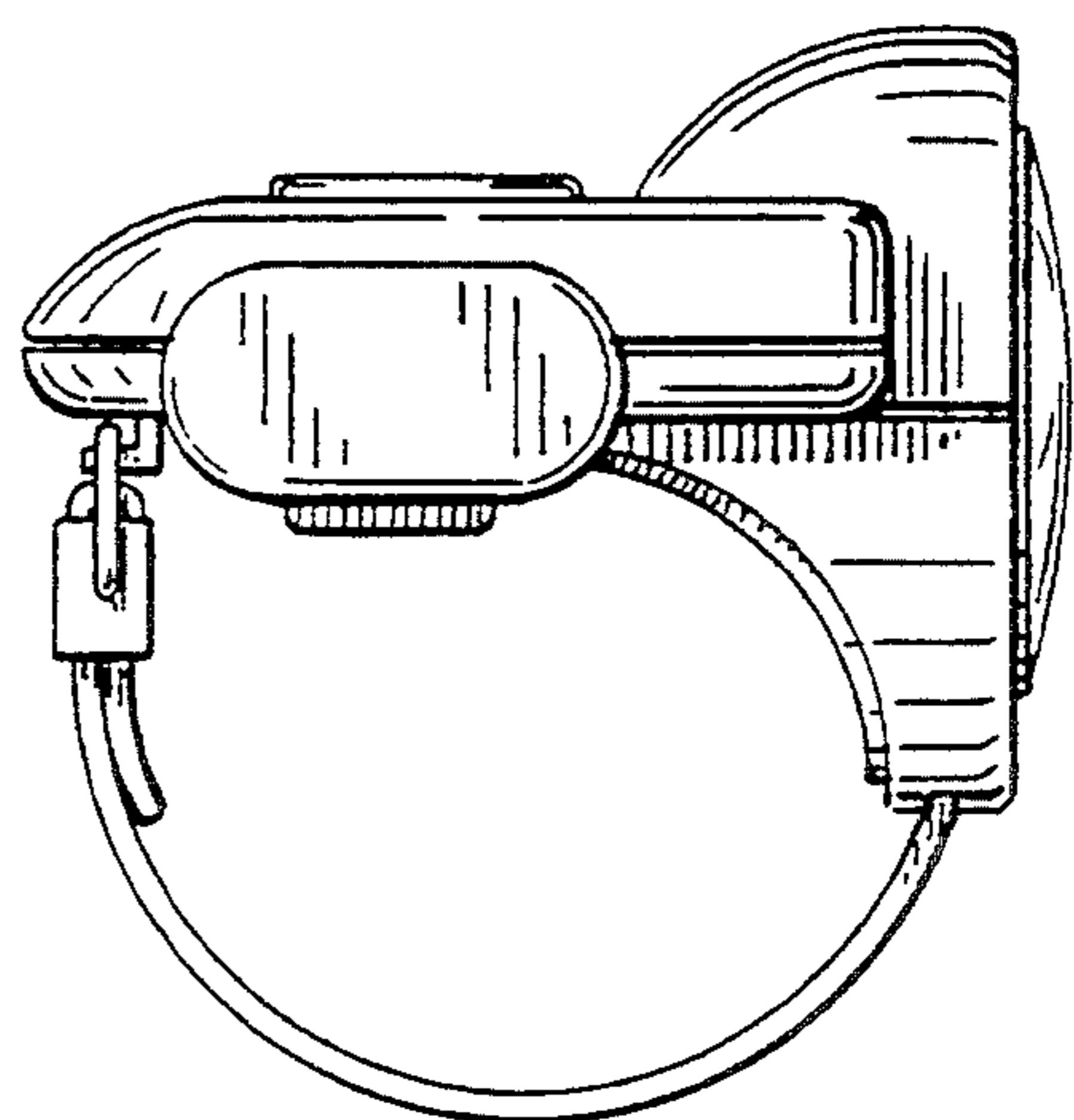


FIG. 6