



US00D361534S

United States Patent [19] Cook

[11] Patent Number: Des. 361,534

[45] Date of Patent: ** Aug. 22, 1995

[54] **FLOWTHROUGH PRESSURE SENSOR**

[75] Inventor: **James D. Cook**, Freeport, Ill.

[73] Assignee: **Honeywell Inc.**, Minneapolis, Minn.

[**] Term: **14 Years**

[21] Appl. No.: **24,997**

[22] Filed: **Jun. 24, 1994**

[52] U.S. Cl. **D10/96**

[58] Field of Search **D10/96, 99; 73/706, 73/756, 863.61; 372/109**

[56] **References Cited**

U.S. PATENT DOCUMENTS

D. 214,087	5/1969	Zijlstra	D10/96
4,402,225	9/1983	Myrick	73/706
4,651,572	3/1987	Albertz et al.	73/706 X

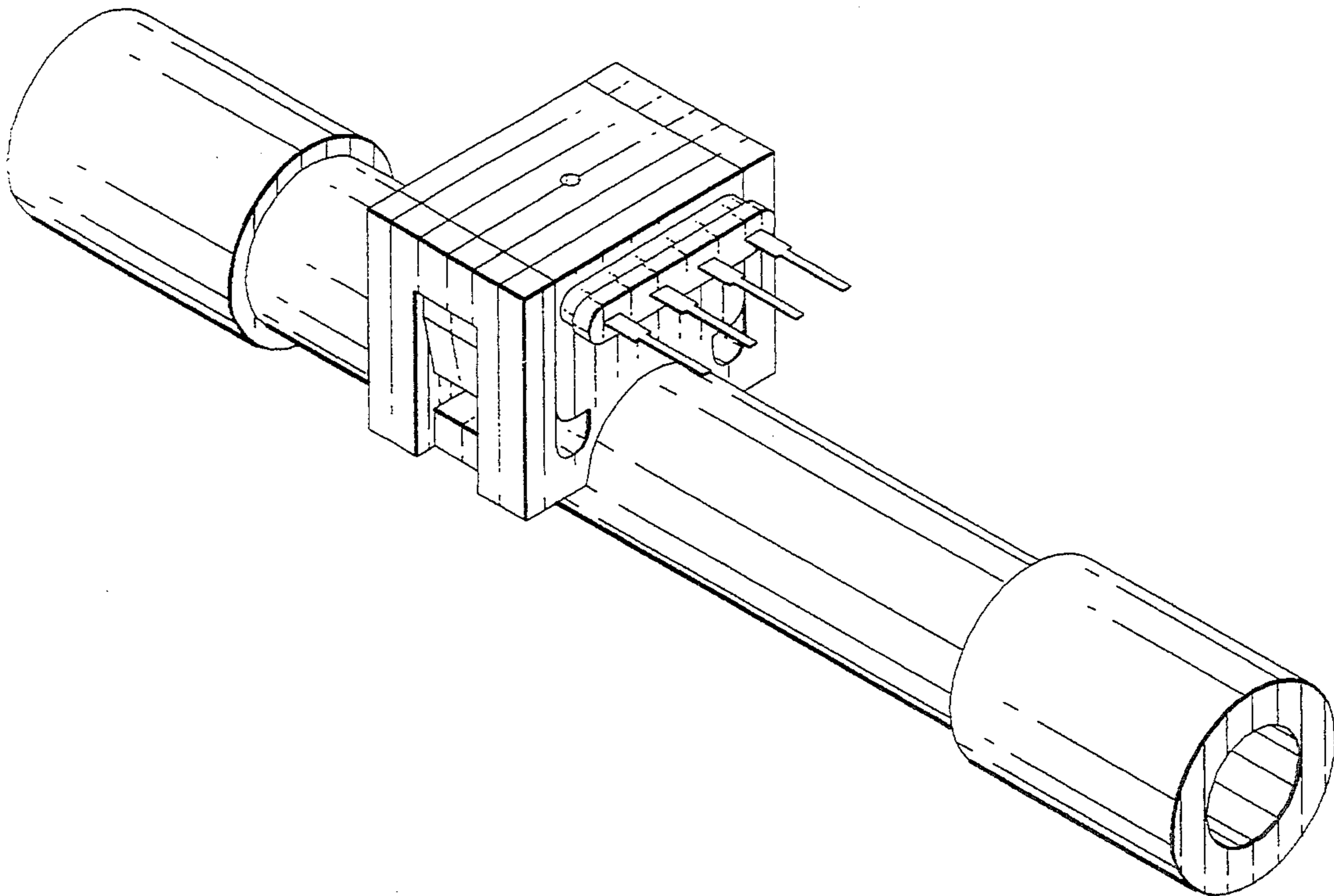
Primary Examiner—Antoine Duval Davis
Attorney, Agent, or Firm—William D. Lanyi

[57] **CLAIM**

The ornamental design for a flowthrough pressure sensor, as shown and described.

DESCRIPTION

FIG. 1 is a side view of the present invention; FIG. 2 is a side view of the present invention which is opposite to the view of FIG. 1 and with a connector shown in phantom lines; FIG. 3 is an end view of the present invention; FIG. 4 is an end view of the present invention which is opposite to the view of FIG. 3; FIG. 5 is a bottom view of the present invention; FIG. 6 is a top view of the present invention; and, FIG. 7 is a bottom perspective view of the present invention.



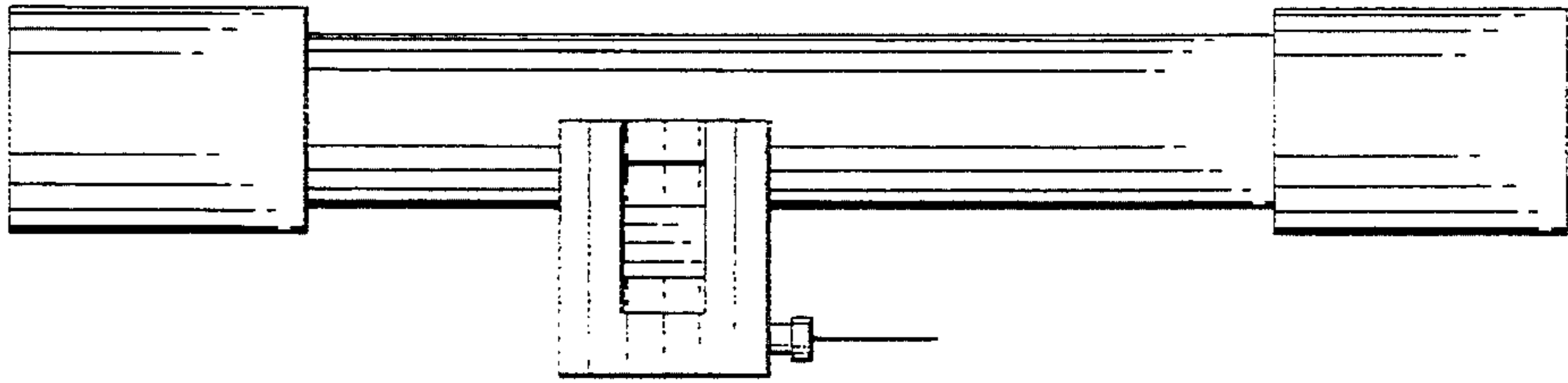


FIG. 1

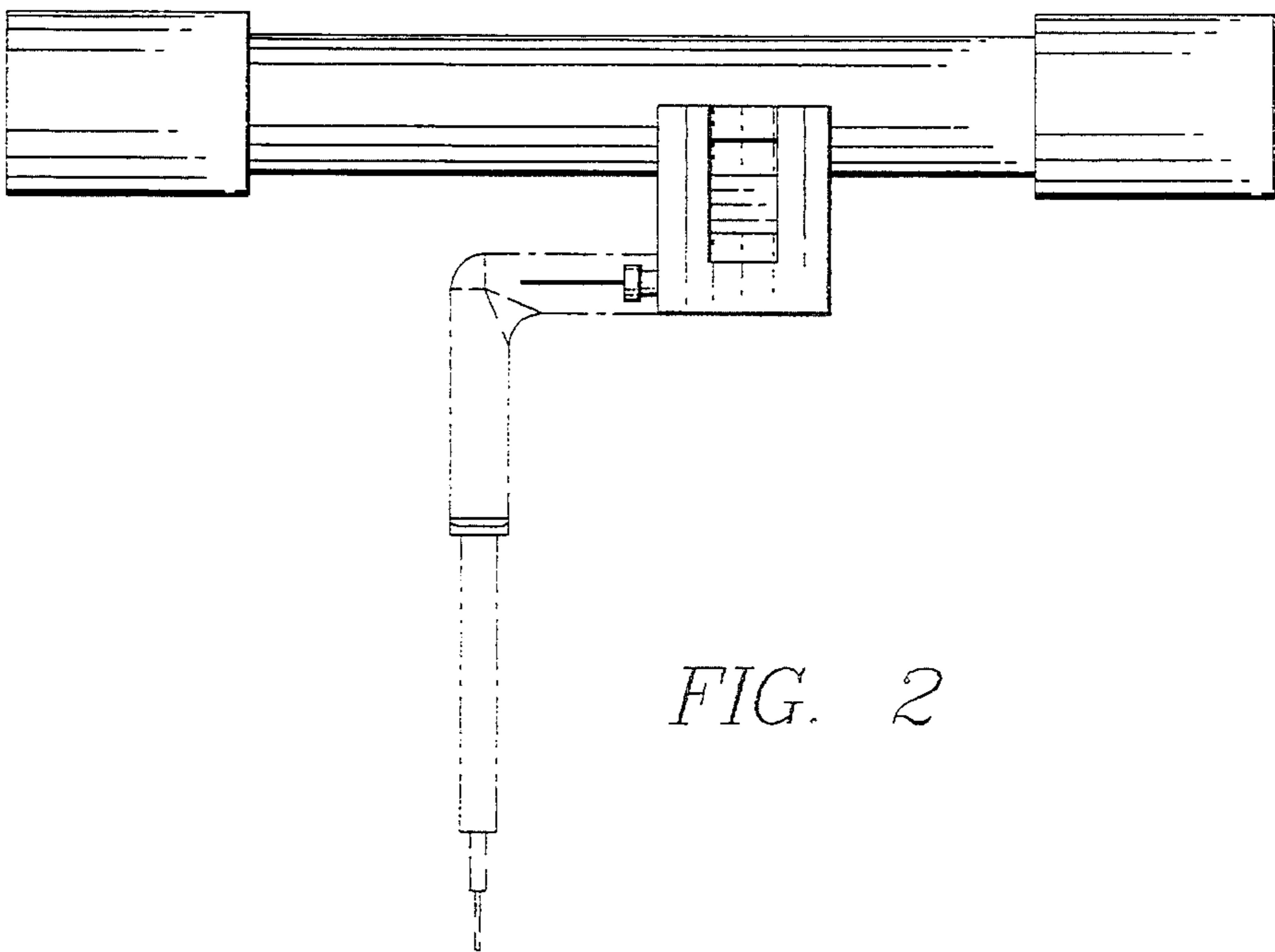


FIG. 2

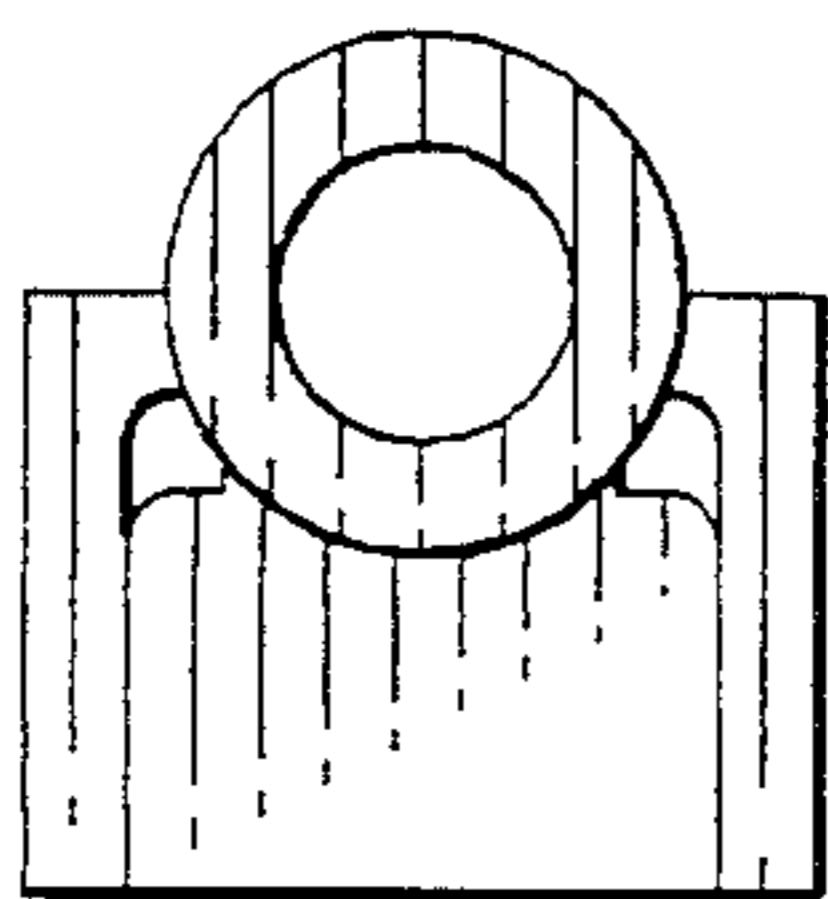


FIG. 4

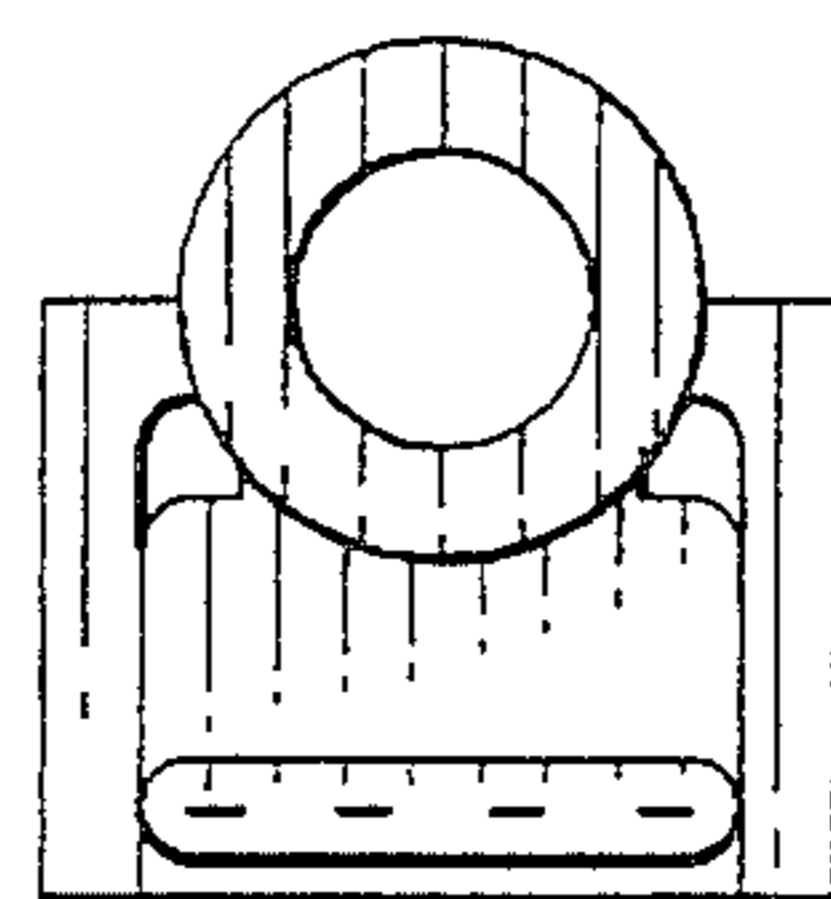


FIG. 3

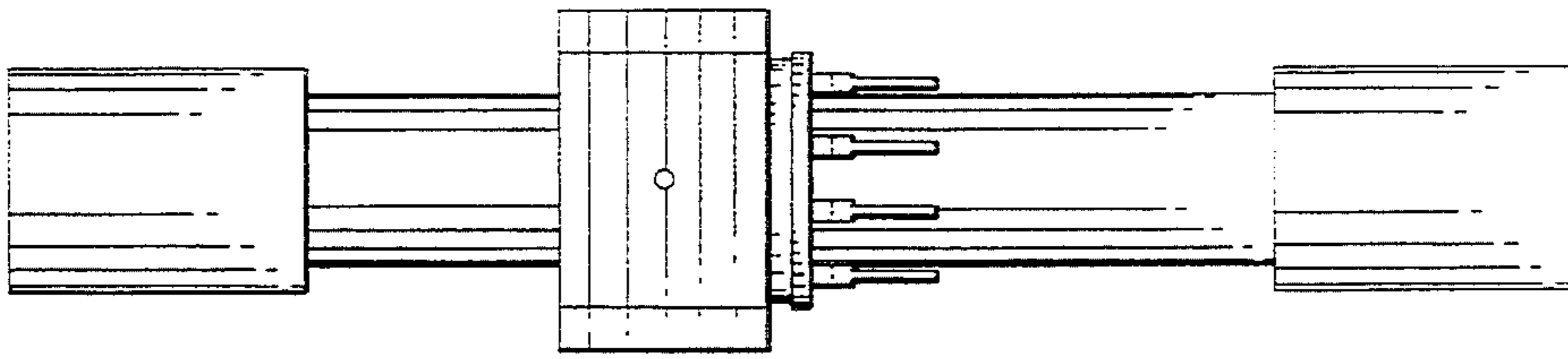


FIG. 5

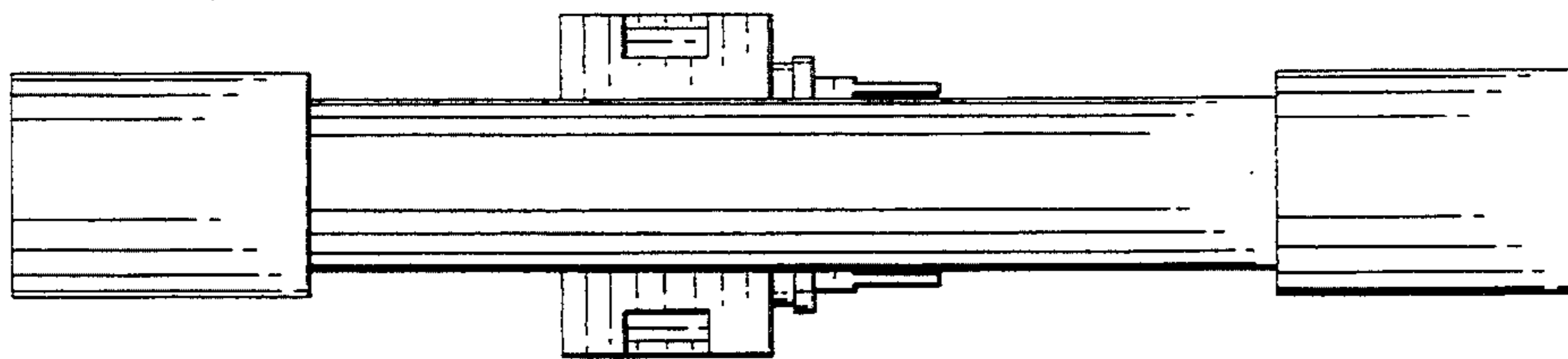


FIG. 6

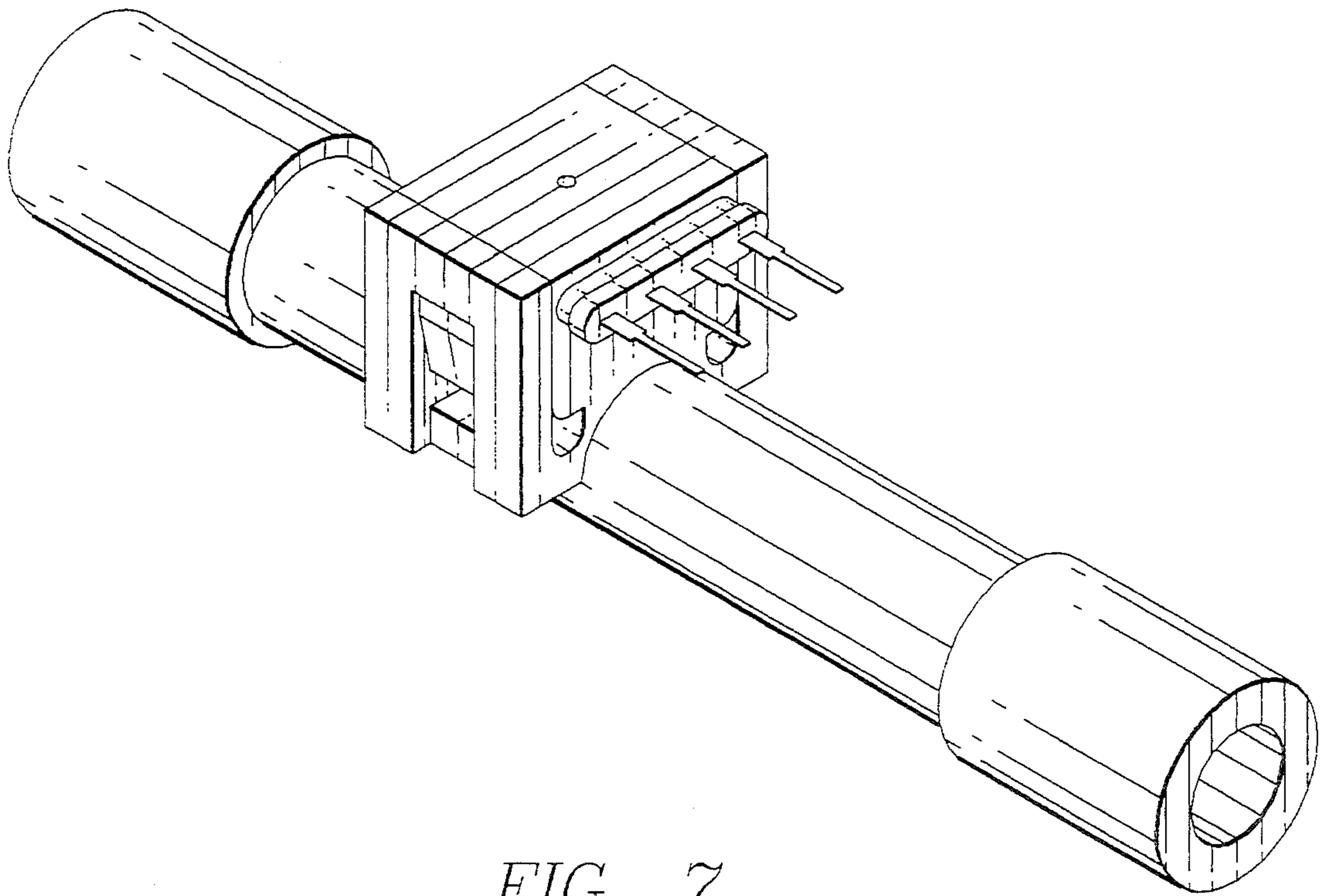


FIG. 7