



US00D361533S

United States Patent [19]

[11] Patent Number: **Des. 361,533**

Kerry, Sr.

[45] Date of Patent: **** Aug. 22, 1995**

[54] **ELECTRICAL CONDUIT ENTRY TEMPLATE**

[76] Inventor: **James E. Kerry, Sr.**, 1536 Ballard Dr., St. Louis, Mo. 63137

[**] Term: **14 Years**

[21] Appl. No.: **29,667**

[22] Filed: **Oct. 13, 1994**

[52] U.S. Cl. **D10/64**

[58] Field of Search D10/64, 65; 33/562, 33/563, 564, 565, 566

Primary Examiner—Antoine Duval Davis
Attorney, Agent, or Firm—Kalish & Gilster

[57] **CLAIM**

The ornamental design for an electrical conduit entry template, as shown and described.

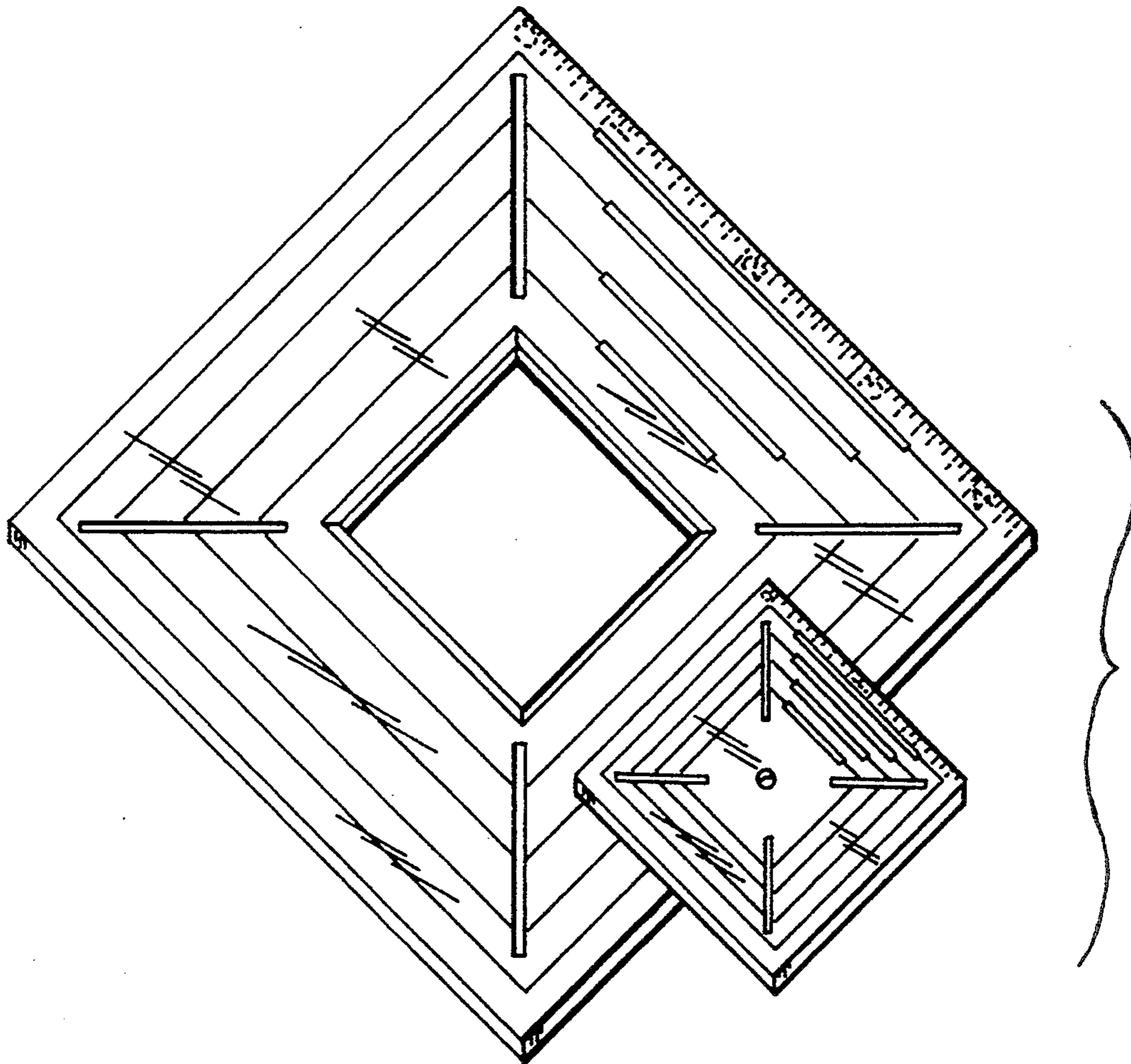
DESCRIPTION

FIG. 1 is a front perspective view of the electrical conduit entry template embodying my new design, with the smaller, center portion shown separate and above the larger, outer portion, the numbers and scale shown in phantom forming no part of the claimed design; FIG. 2 is a front elevational view thereof, the phantom numbers have been omitted for clarity, and with the smaller center portion positioned centrally, in front of the larger outer portion; FIG. 3 is a rear elevational view thereof; and, FIG. 4 is a side elevational view thereof, with the smaller central portion slightly separated, above the larger outer portion, for clarity, all four side edges being identical in appearance.

[56] **References Cited**

U.S. PATENT DOCUMENTS

| | | | |
|------------|---------|--------------|----------|
| D. 142,608 | 10/1945 | Ziegfeld . | |
| D. 347,586 | 6/1994 | Kim . | |
| 3,376,650 | 4/1968 | Cook . | |
| 3,766,654 | 10/1973 | Canton | D10/64 X |
| 4,228,592 | 10/1980 | Badger | D10/64 X |
| 4,461,086 | 7/1984 | Segletes . | |
| 4,584,780 | 4/1986 | Pressey . | |
| 4,837,939 | 6/1989 | Pullen . | |



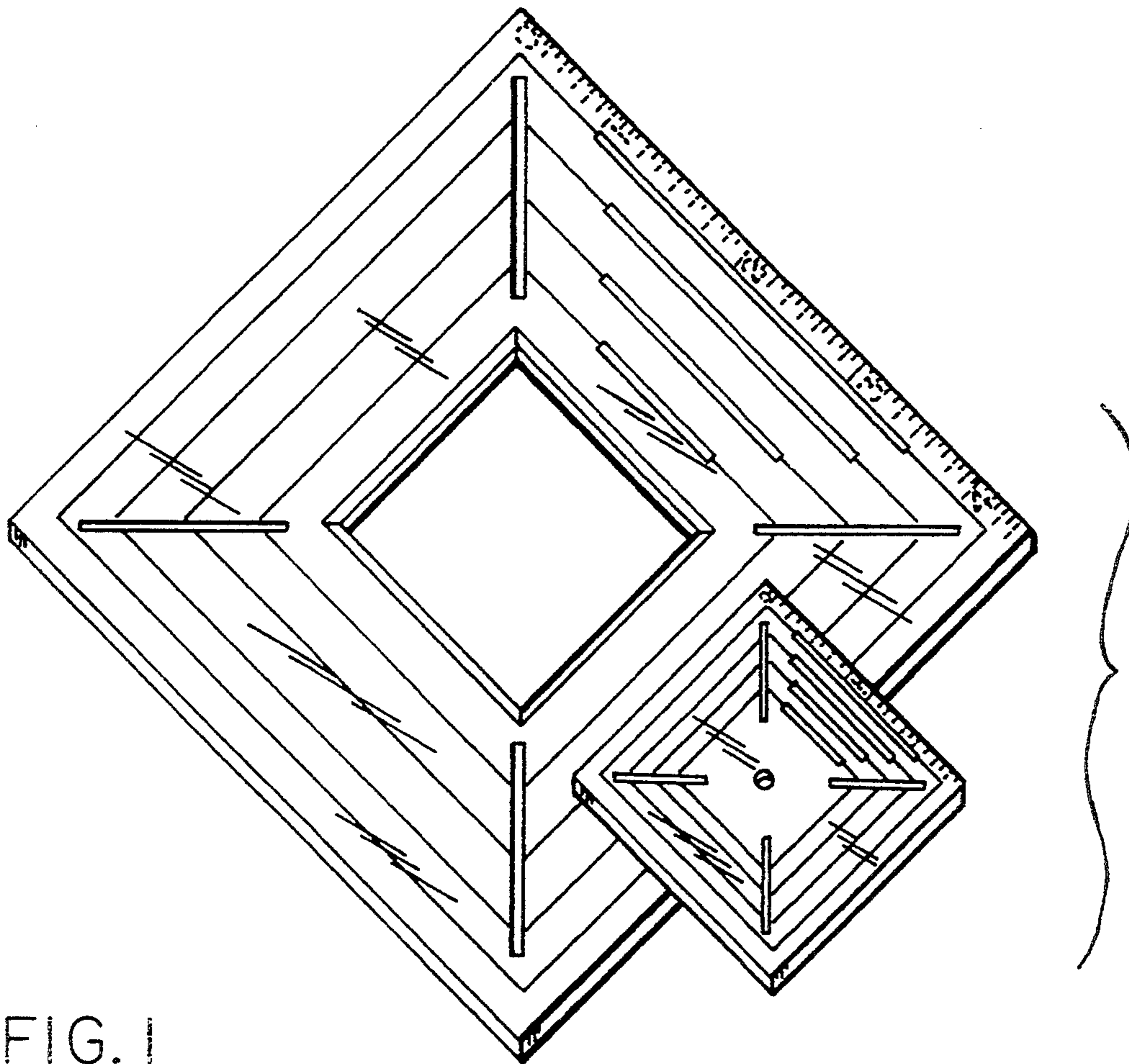


FIG. 1

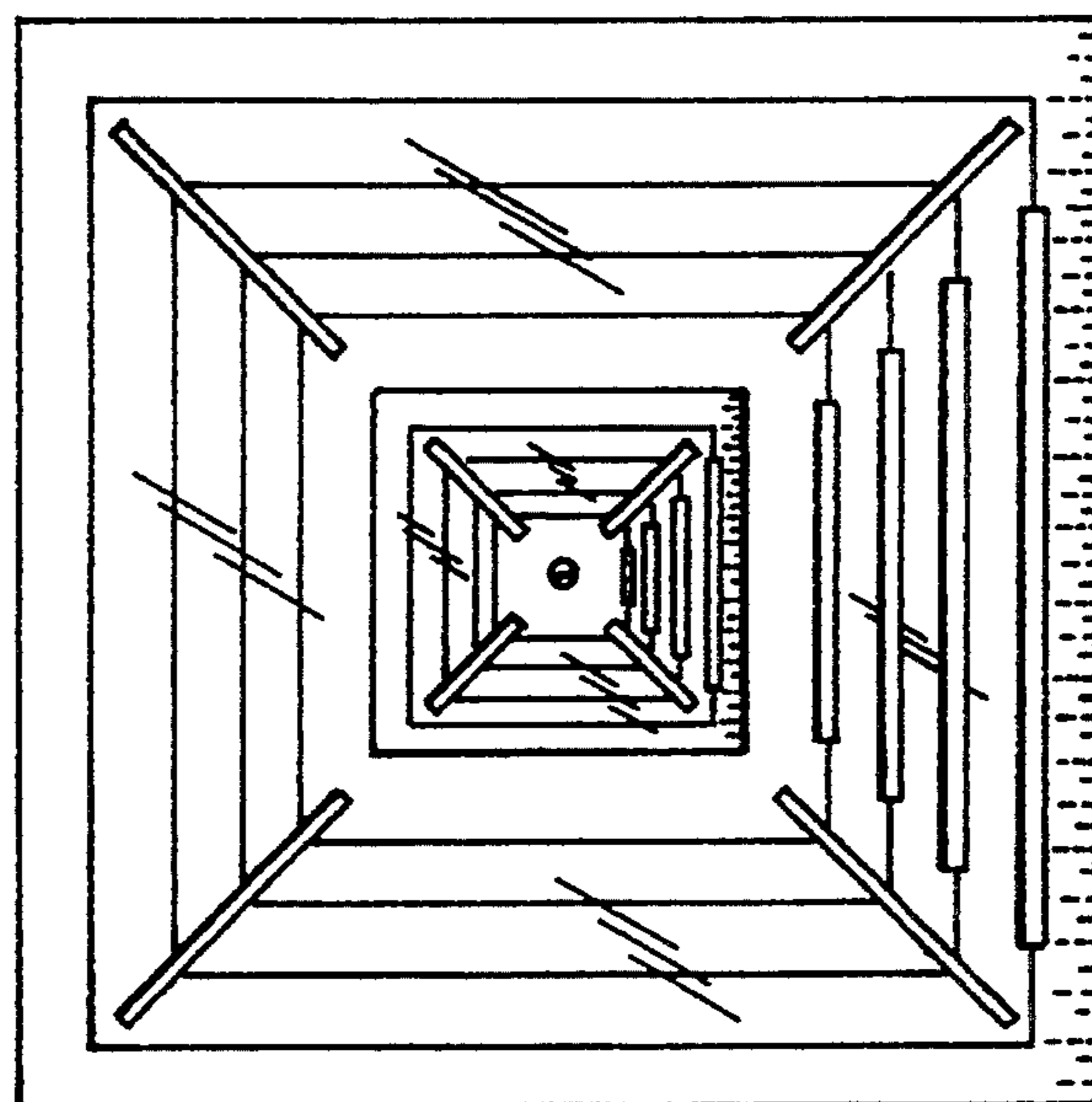


FIG. 2

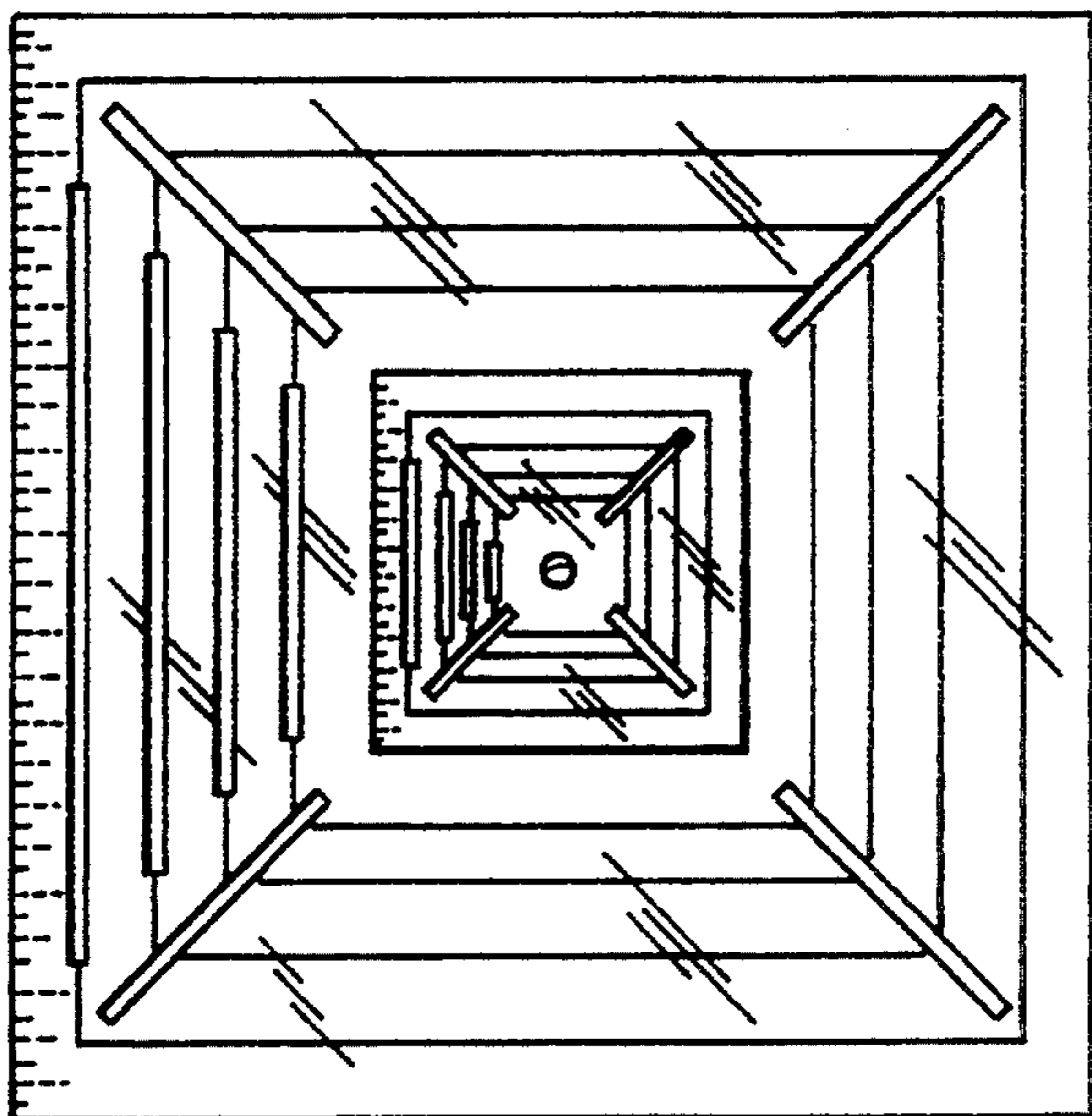


FIG. 3

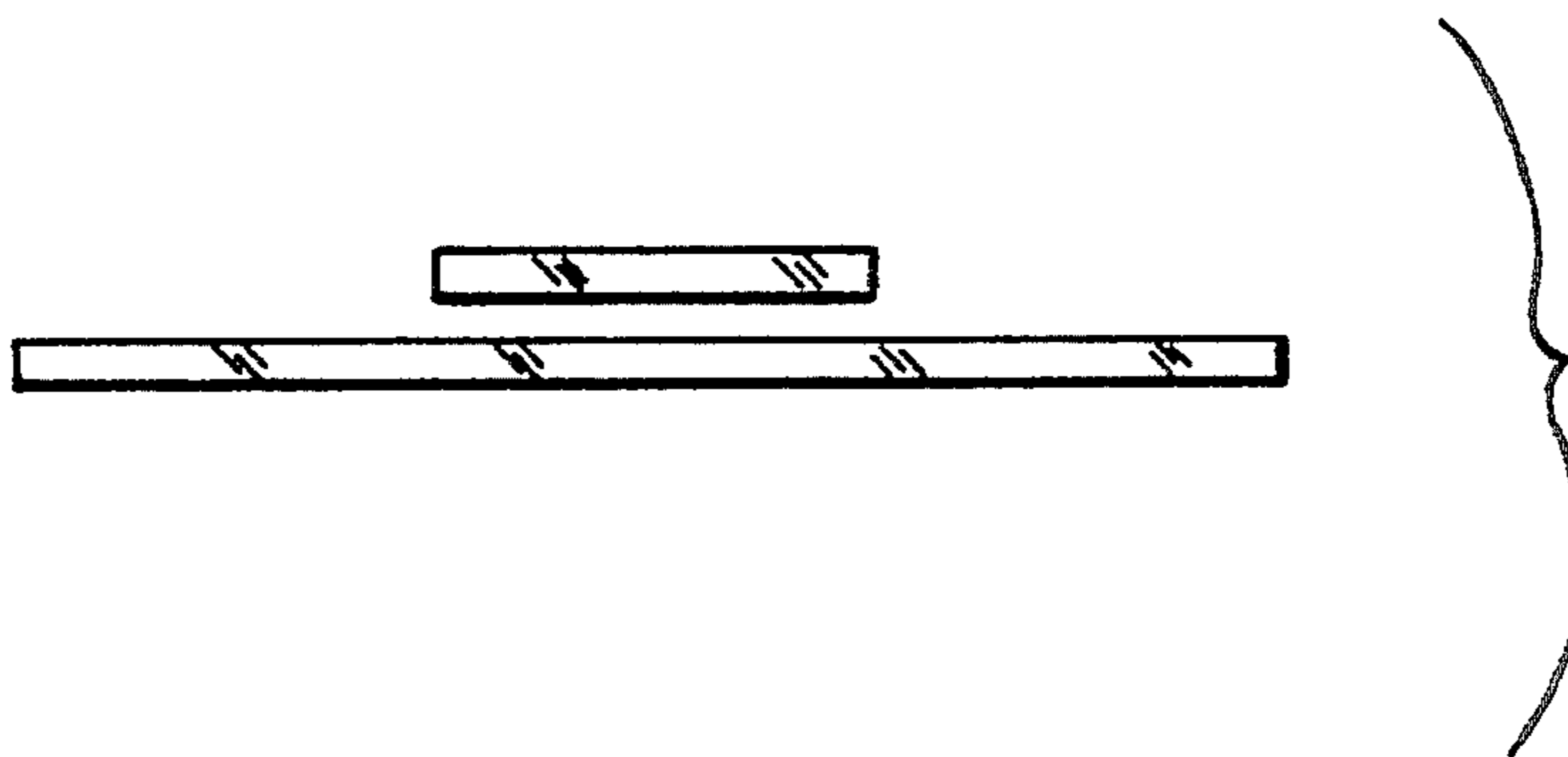


FIG. 4