



US00D361518S

United States Patent [19]

Petruzzi

[11] Patent Number: Des. 361,518

[45] Date of Patent: ** Aug. 22, 1995

[54] REPLICA CANISTER CLOCK
[76] Inventor: Thomas G. Petruzzi, 5118 Belleville Ave., Orlando, Fla. 32812

[**] Term: 14 Years

[21] Appl. No.: 27,244

[22] Filed: Aug. 16, 1994

[52] U.S. Cl. D10/6; D10/15; D14/189

[58] Field of Search D10/1-40, D10/122-132; 368/10, 276-277, 285; D7/612, 629; D9/506, 432

[56] **References Cited**

U.S. PATENT DOCUMENTS

- D. 238,137 12/1975 Swett D7/612
- D. 279,251 6/1985 Daemen D7/629
- D. 279,868 7/1985 Buffo D10/15 X
- D. 308,636 6/1990 Dinand D9/432 X
- D. 336,017 6/1993 Smith D7/629

- D. 349,243 8/1994 Hersch D10/33
- D. 349,244 8/1994 Hersch D10/6 X

Primary Examiner—Nelson C. Holtje
Attorney, Agent, or Firm—Allen, Dyer, Doppelt, Franjola & Milbrath

[57] **CLAIM**

The ornamental design for a replica canister clock, as shown and described.

DESCRIPTION

FIG. 1 is a top, left perspective view of a replica canister clock showing my new design; FIG. 2 is a right side view thereof, the left side view being a mirror image; FIG. 3 is a top plan view thereof; FIG. 4 is a bottom plan view thereof; FIG. 5 is a rear elevational view thereof; FIG. 6 is a front elevational view thereof; and, FIG. 7 is a top, left front perspective view thereof with the case in an open position.

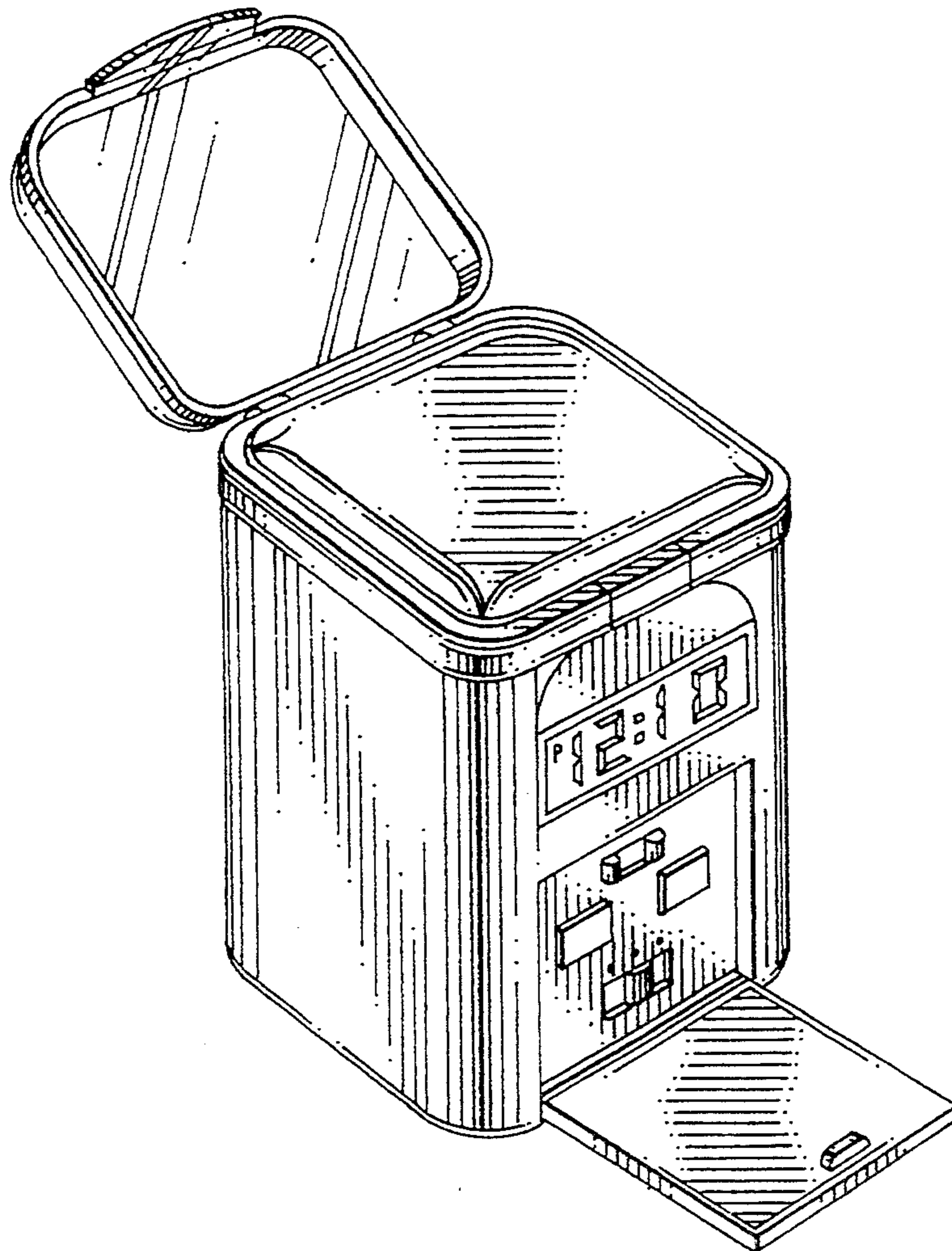


FIG. 1

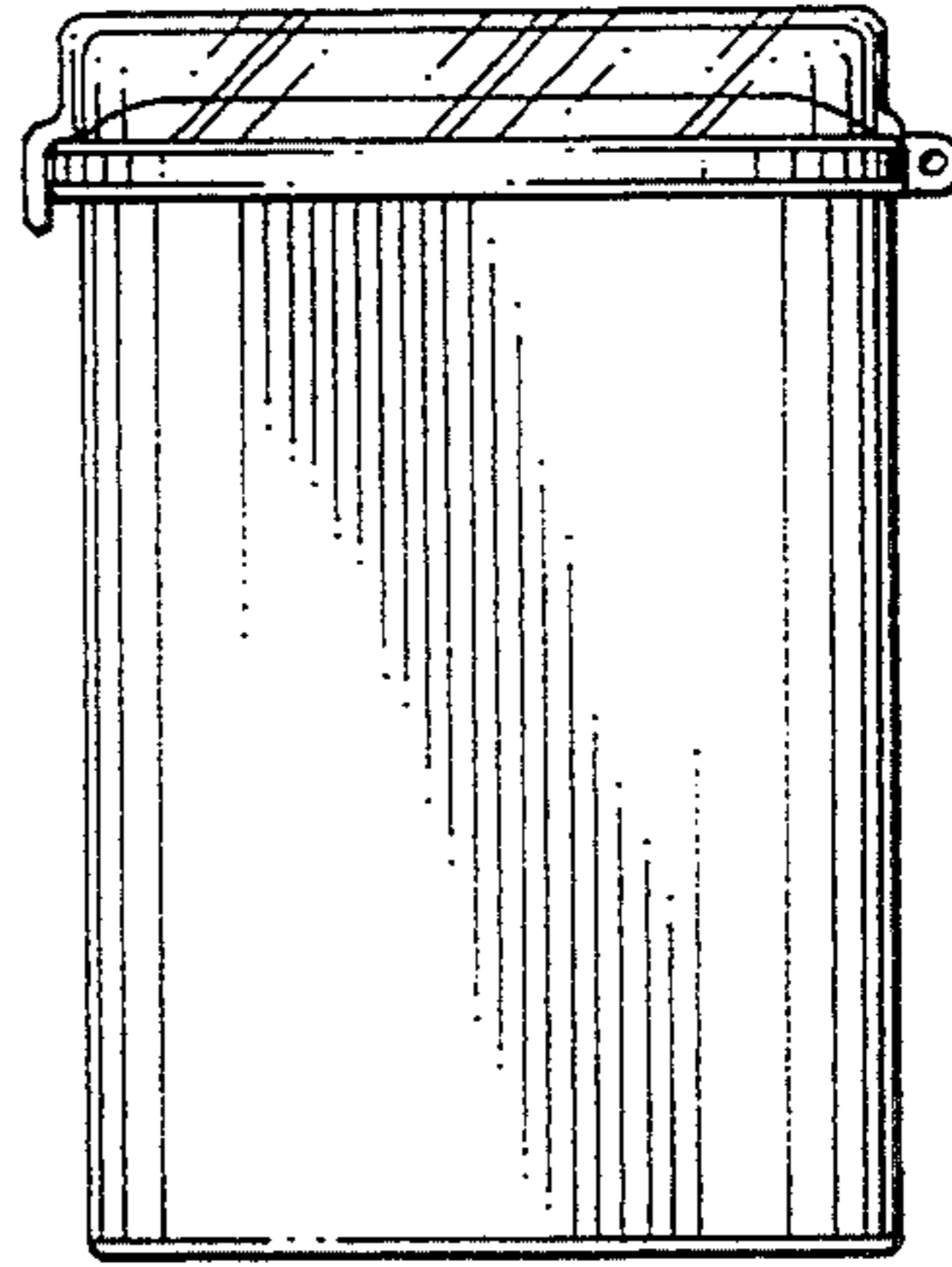
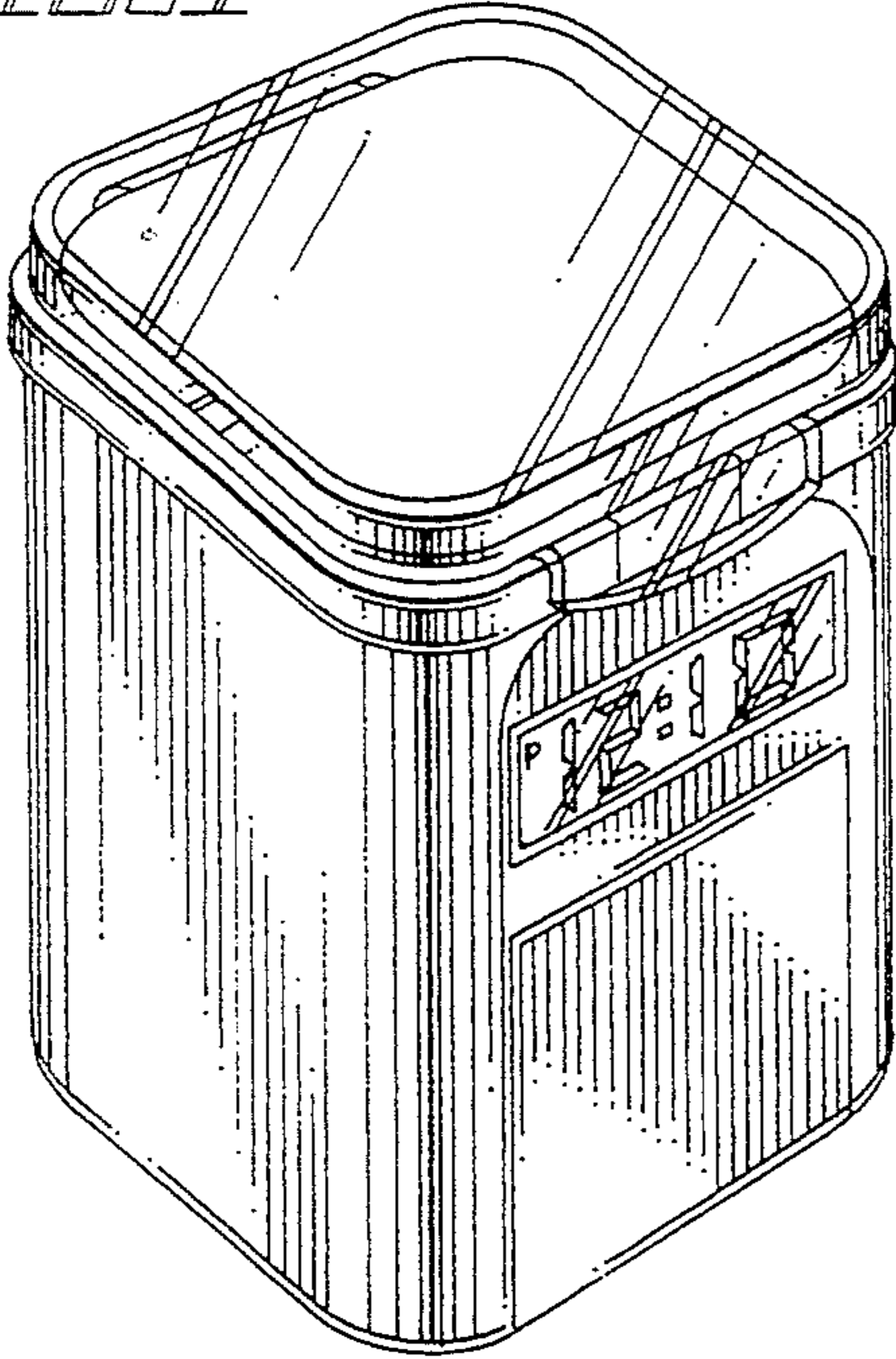


FIG. 2

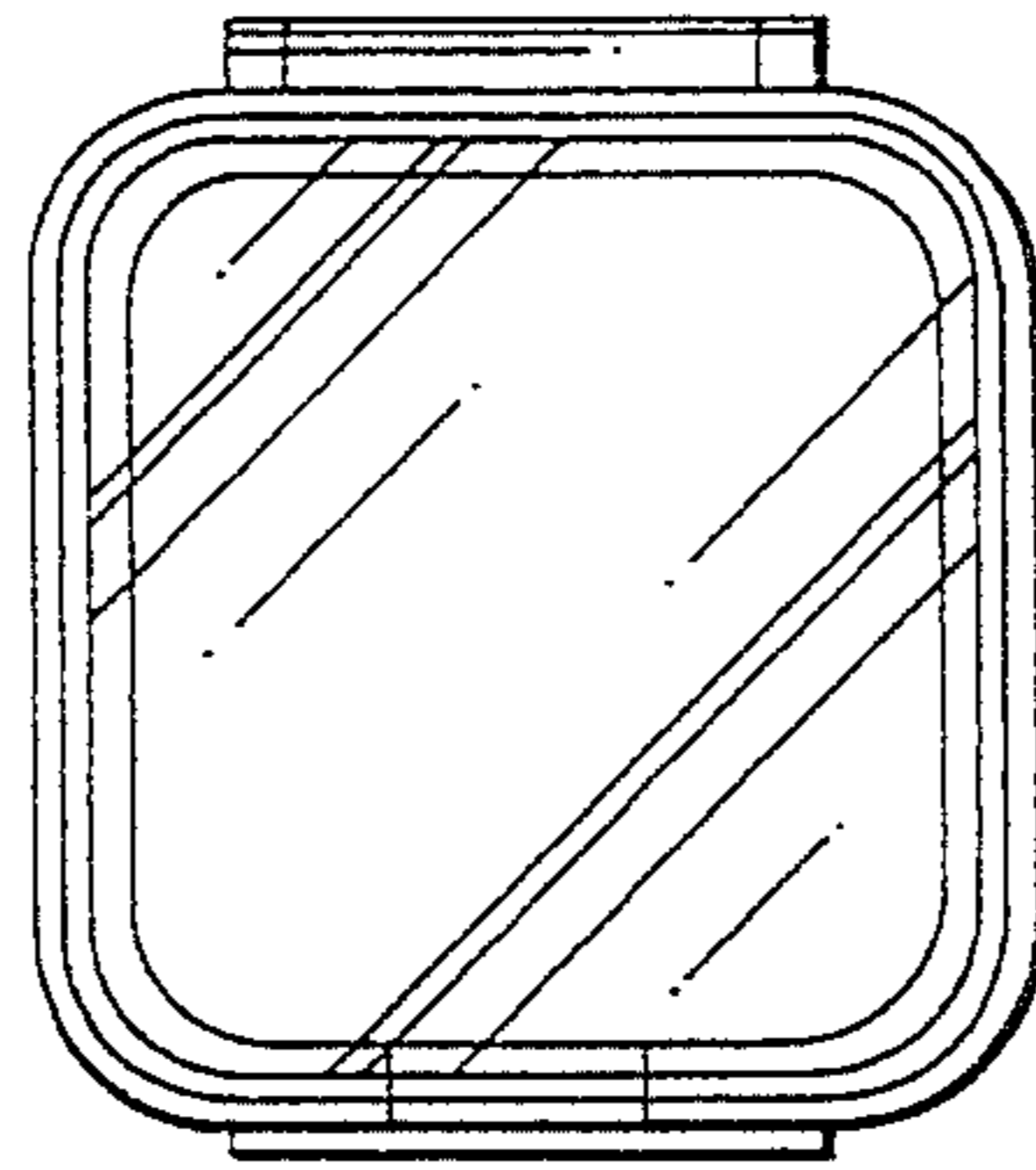


FIG. 3

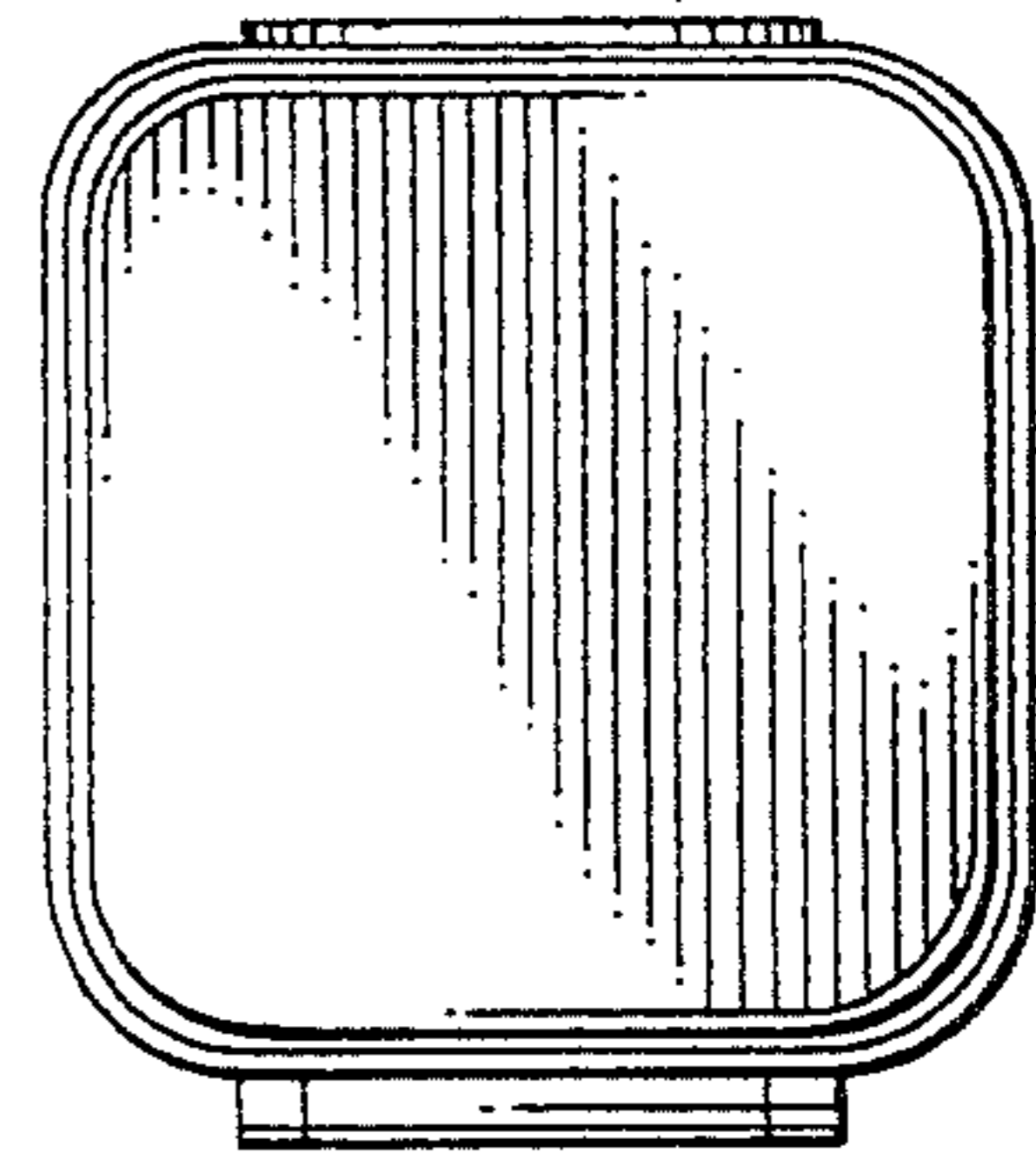


FIG. 4

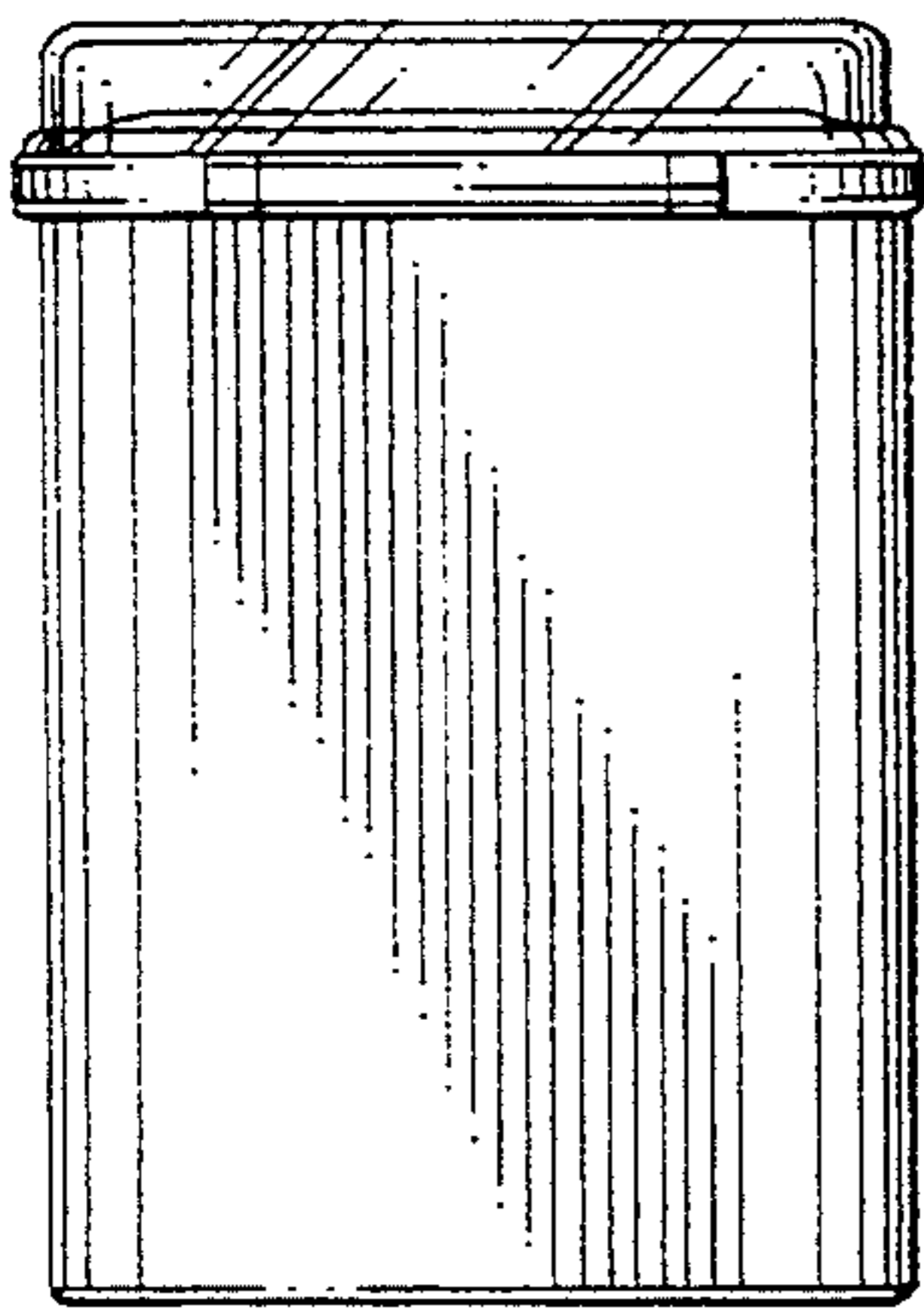


FIG. 5

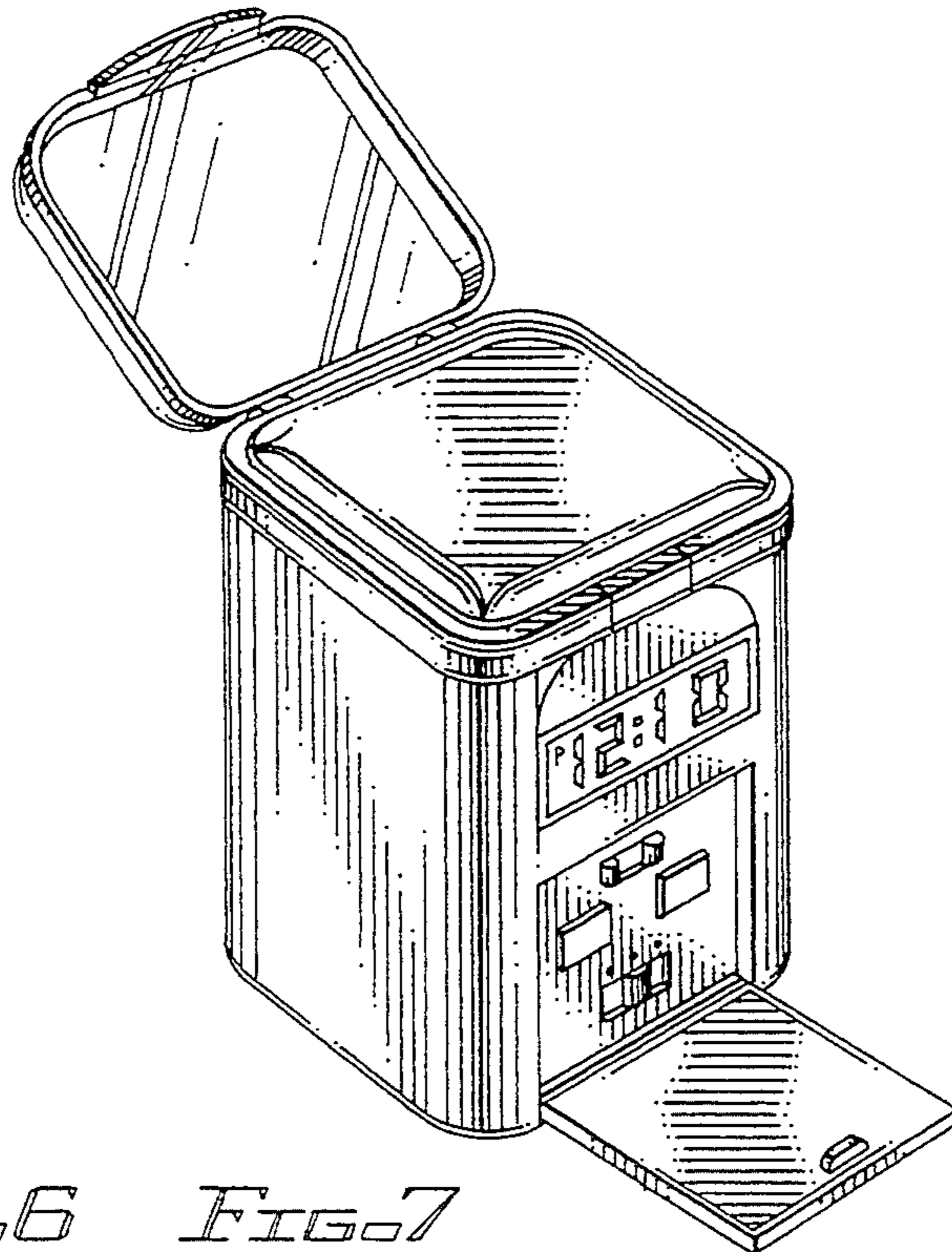


FIG. 6

FIG. 7

