



US00D361516S

# United States Patent [19]

[11] Patent Number: **Des. 361,516**

**Peersmann**

[45] Date of Patent: **\*\* Aug. 22, 1995**

[54] **CLOCK**

[75] Inventor: **Richard F. M. Peersmann,**  
Scheveningen, Netherlands

[73] Assignee: **Pollyflame International B.V.,**  
Roelofarendsveen, Netherlands

[\*\*] Term: **14 Years**

[21] Appl. No.: **25,148**

[22] Filed: **Jun. 21, 1994**

### [30] Foreign Application Priority Data

Jan. 3, 1994 [WO] WIPO ..... DM/028308

[52] U.S. Cl. .... **D10/6**

[58] Field of Search ..... D10/6; D21/38; 368/285,  
368/82-84, 239-242

### [56] References Cited

#### U.S. PATENT DOCUMENTS

D. 60,484 2/1922 Berger ..... D10/6  
D. 76,854 11/1928 Cramer ..... D10/6 X

D. 164,309 8/1951 McManus ..... D21/38  
D. 187,477 3/1960 Hale ..... D21/38  
D. 260,769 9/1981 Thomas ..... D21/38 X  
D. 272,254 1/1984 Heywood ..... D21/38  
D. 278,069 3/1985 Wichinsky ..... D21/38  
D. 347,177 5/1994 Peersmann ..... D10/6  
D. 353,338 12/1994 Peersmann ..... D10/6

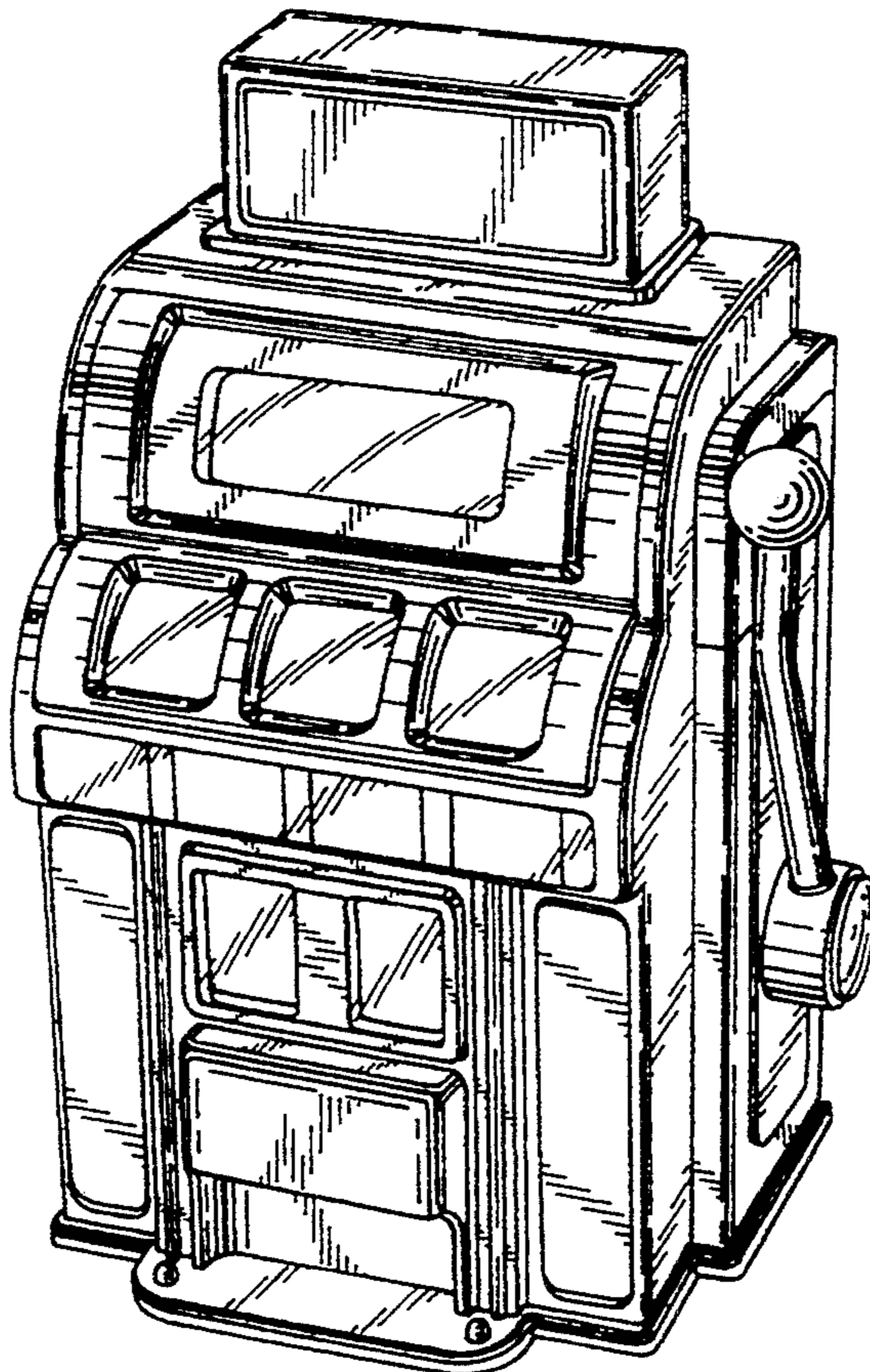
*Primary Examiner*—Nelson C. Holtje  
*Attorney, Agent, or Firm*—Foley & Lardner

### [57] CLAIM

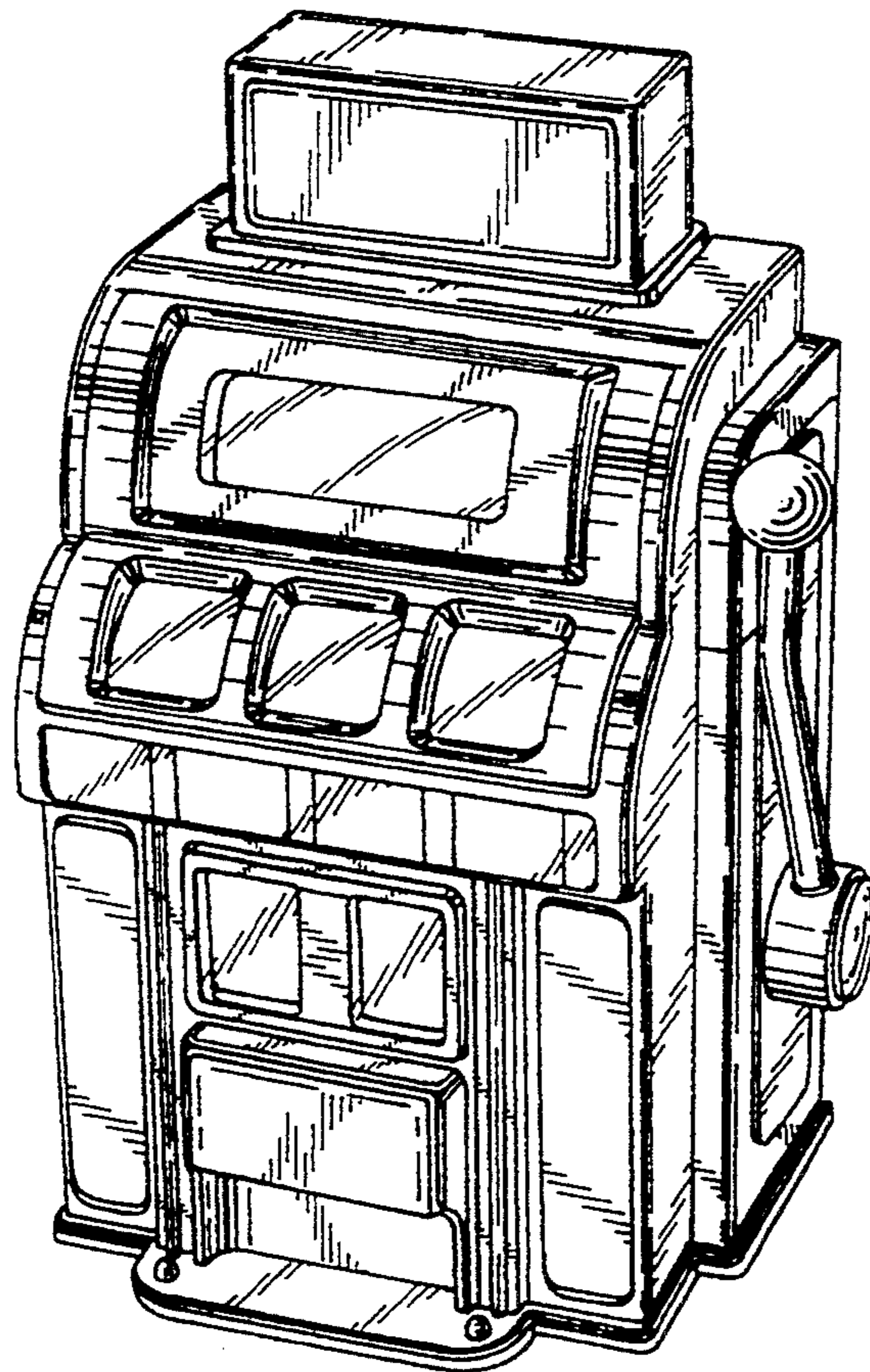
The ornamental design for a clock, as shown and described.

### DESCRIPTION

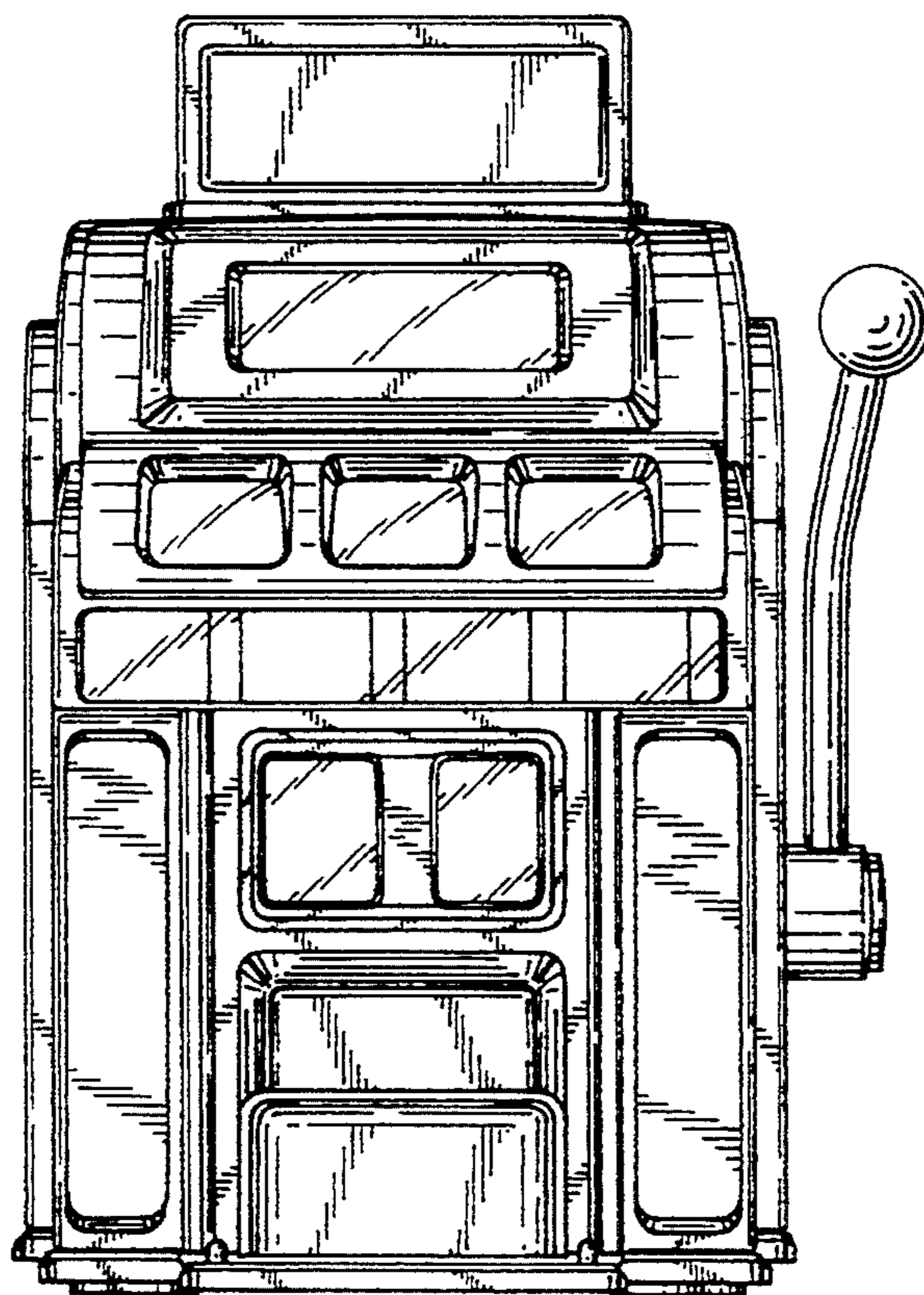
FIG. 1 is a perspective view of a clock showing my new design;  
FIG. 2 is a front elevational view thereof;  
FIG. 3 is a rear elevational view thereof;  
FIG. 4 is a top plan view thereof;  
FIG. 5 is a bottom plan view thereof;  
FIG. 6 is a right side elevational view thereof; and,  
FIG. 7 is a left side elevational view thereof.



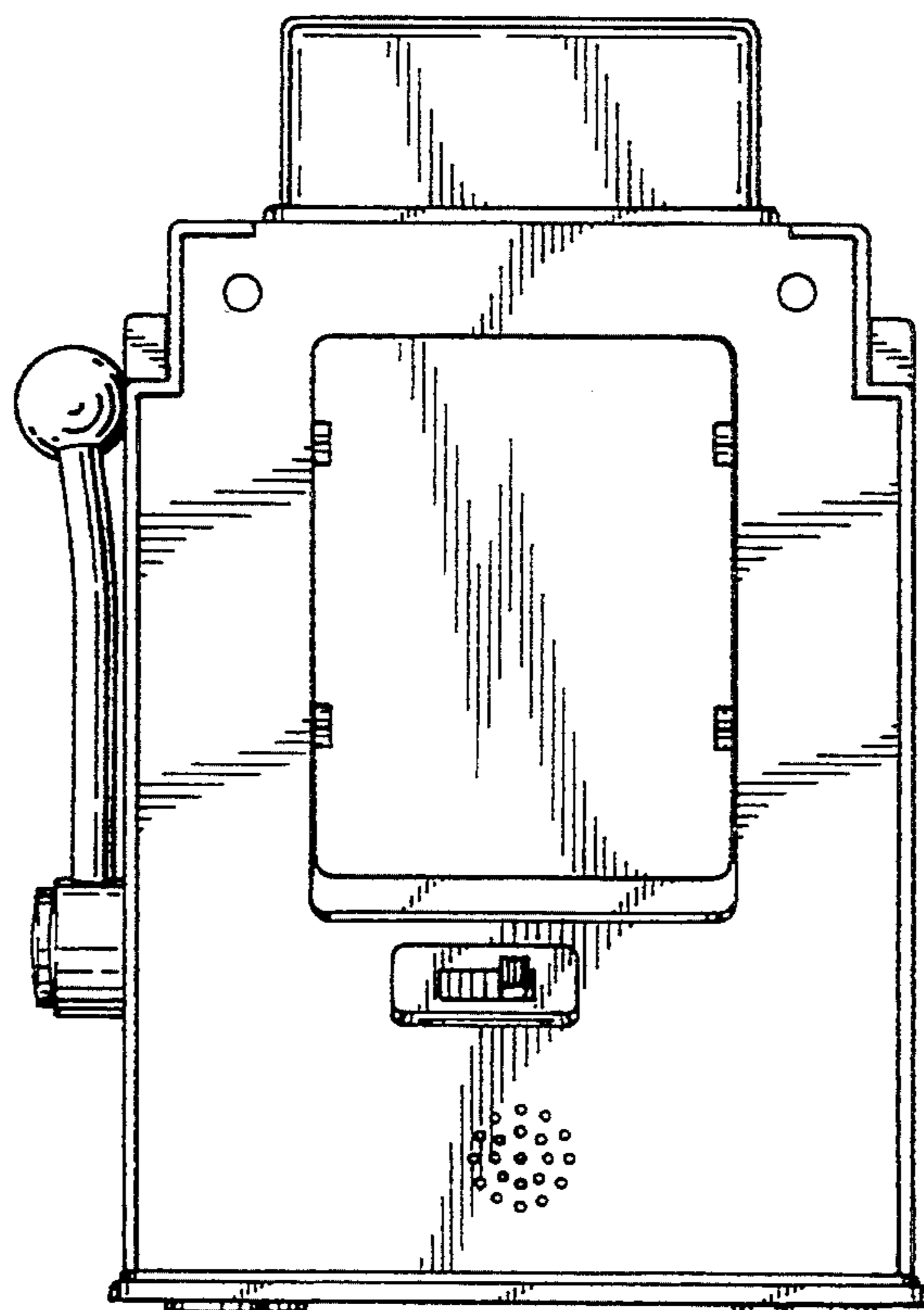
**FIG. 1**



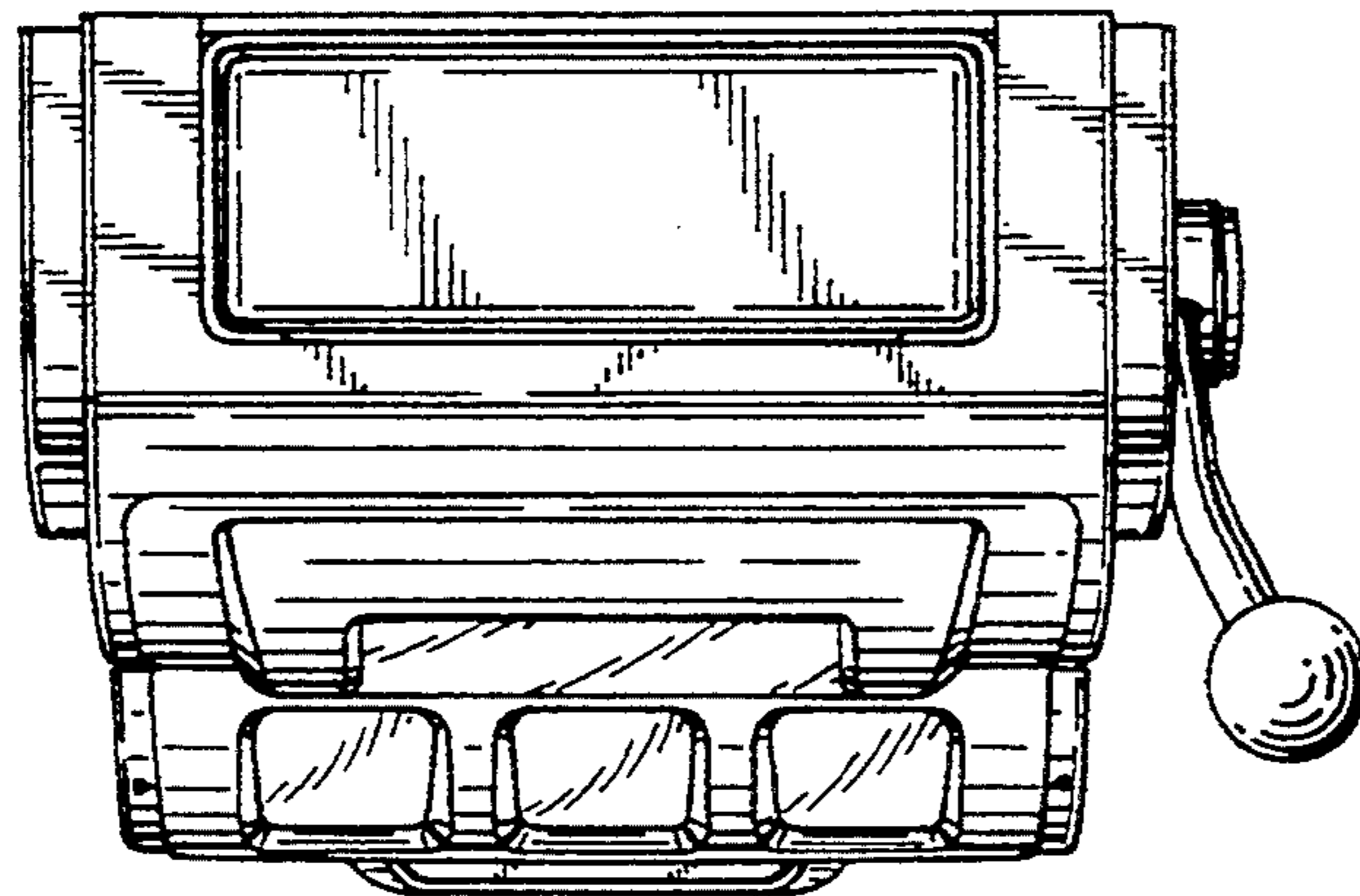
**FIG. 2**



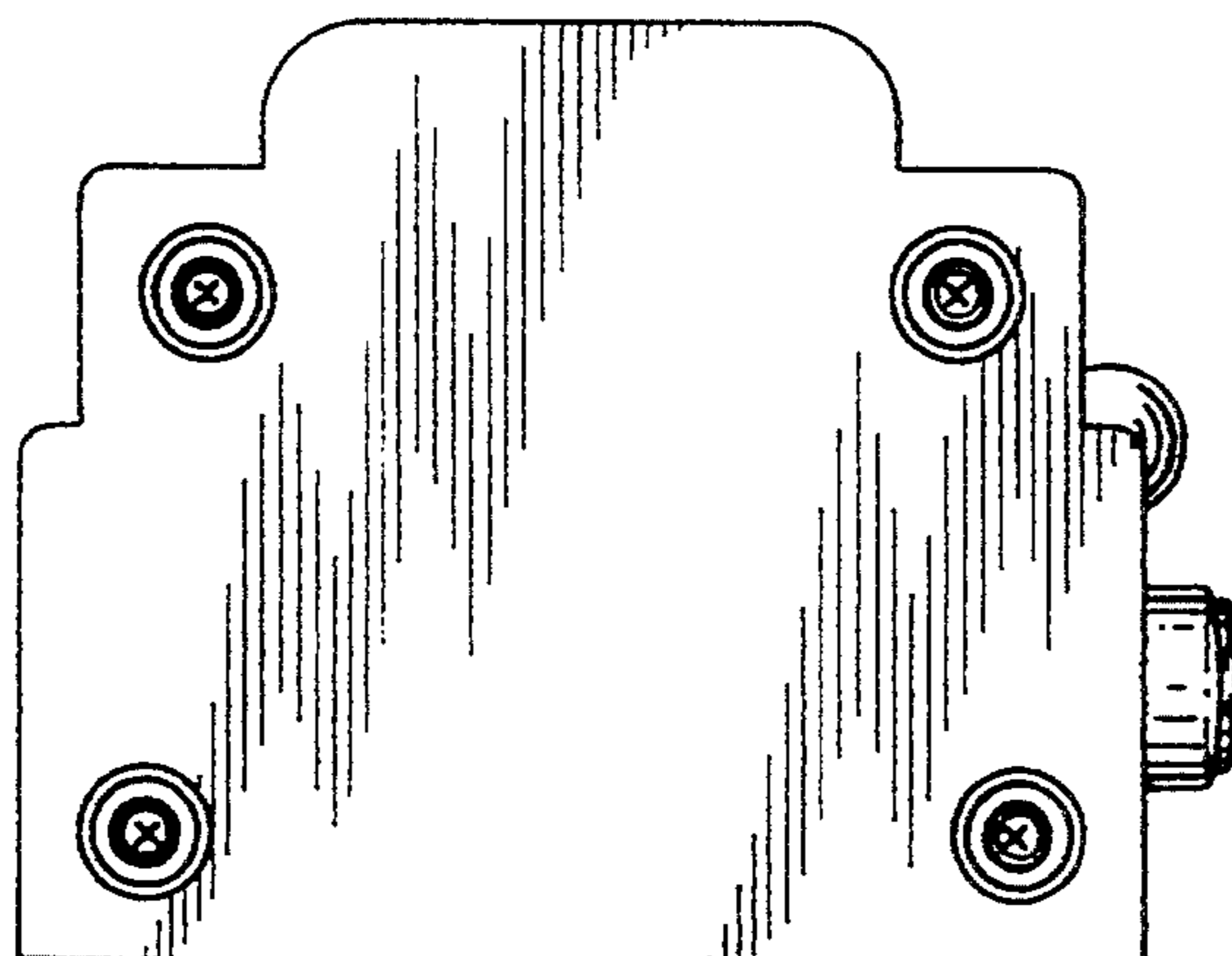
**FIG. 3**



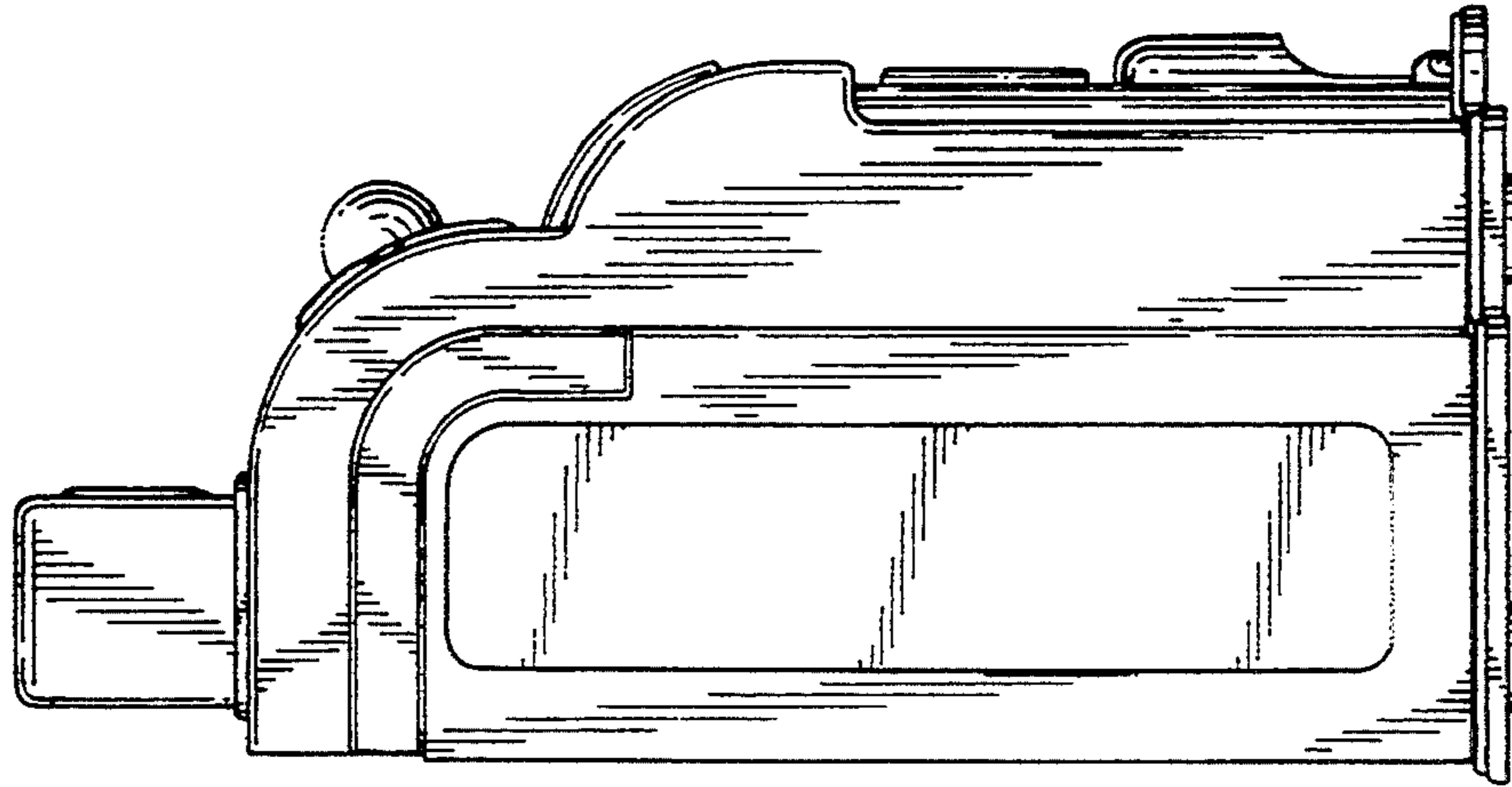
**FIG. 4**



**FIG. 5**



**FIG. 7**



**FIG. 6**

