



US00D361507S

# United States Patent [19]

[11] Patent Number: **Des. 361,507**

Langemann

[45] Date of Patent: **\*\* Aug. 22, 1995**

[54] **SCREWABLE CONTAINER**

[76] Inventor: **Johannes Langemann**,  
Reitzensteinstrasse 4, 82031  
Grunwald, Germany

[\*\*] Term: **14 Years**

[21] Appl. No.: **14,098**

[22] Filed: **Oct. 13, 1993**

[30] **Foreign Application Priority Data**

Apr. 15, 1993 [DE] Germany ..... 93 03 108.4  
[52] U.S. Cl. .... **D9/337**  
[58] Field of Search ..... D9/307, 337, 414;  
206/37, 457, 530, 540; D24/224, 226; 220/235

[56] **References Cited**

**U.S. PATENT DOCUMENTS**

D. 261,615 11/1981 Kaufmann ..... D9/337  
D. 262,606 1/1982 Kaufmann ..... D9/337  
D. 299,488 1/1989 Okada ..... D9/307  
D. 349,238 8/1994 Haber ..... D24/226 X  
4,420,076 12/1983 Beveridge et al. .... 206/540 X

4,534,467 8/1985 Rathbun ..... 206/528 X  
4,756,407 7/1988 Larsen ..... 206/528 X  
4,765,459 8/1988 Edwards ..... 206/540 X  
4,866,952 9/1989 Hight et al. .... 206/540 X

*Primary Examiner*—Theodore M. Shooman  
*Assistant Examiner*—Cheri Cohen  
*Attorney, Agent, or Firm*—Cooley Godward Castro  
Huddleson & Tatum

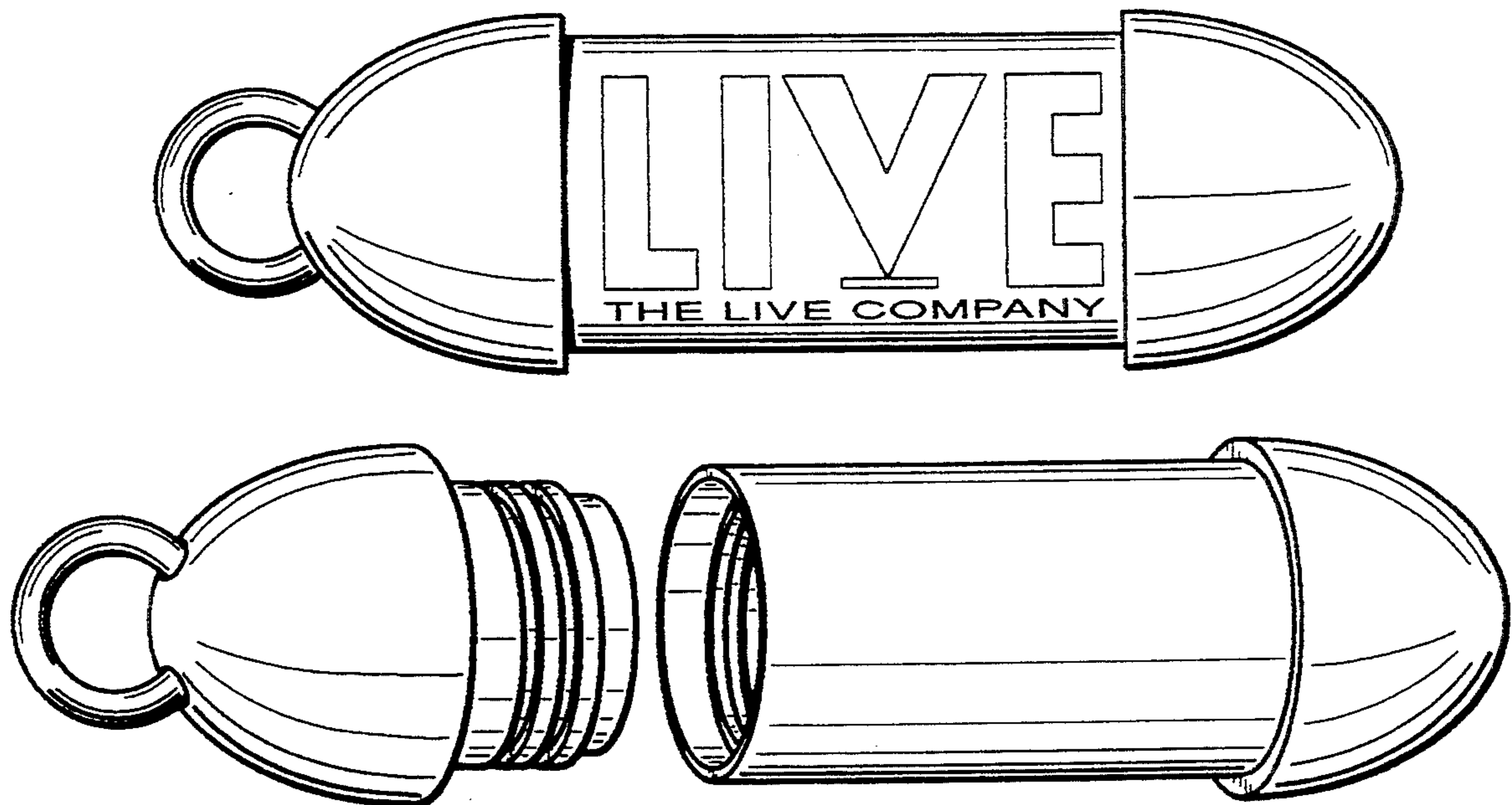
[57] **CLAIM**

The ornamental design for a screwable container, as shown and described.

**DESCRIPTION**

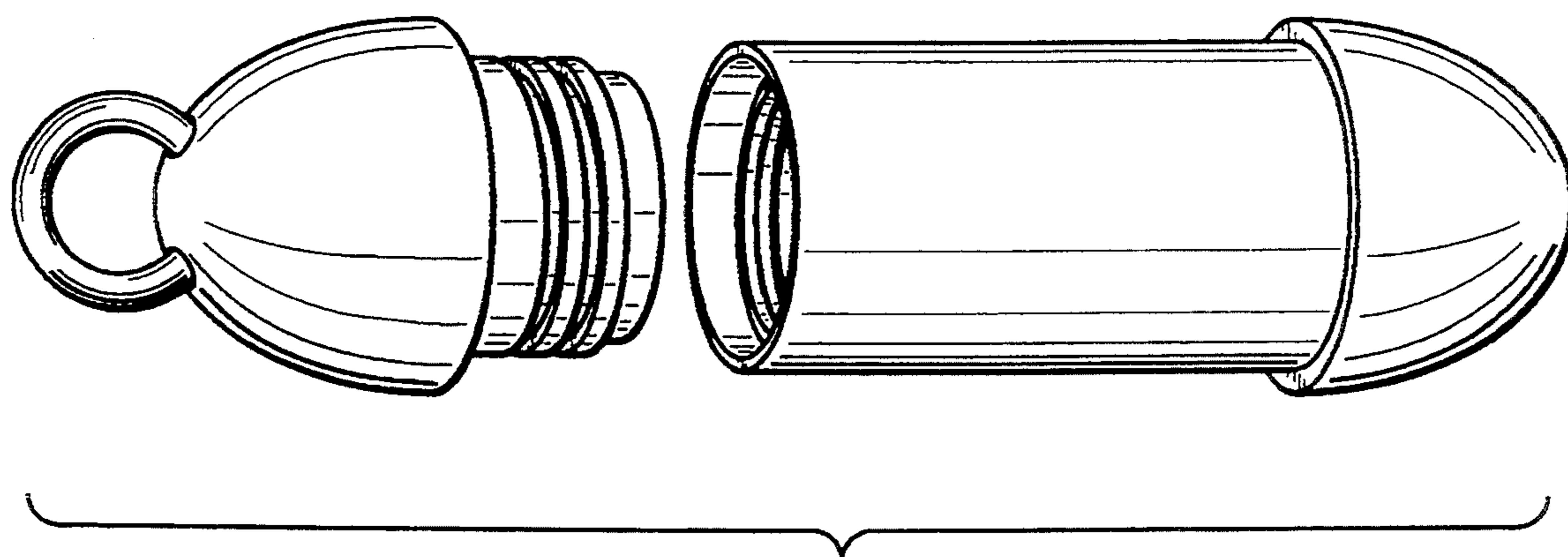
FIG. 1 is a side view of the screwable container showing my new design; FIG. 2 is an exploded perspective view thereof; and, FIG. 3 is another side view of the screwable container showing my new design.

With the exception of a ring attached to a cover of the container by means of a hole passing through the cover, the container and its cover are symmetrical about a longitudinal axis of the container. The lettering shown in FIG. 1 does not form a part of the design.

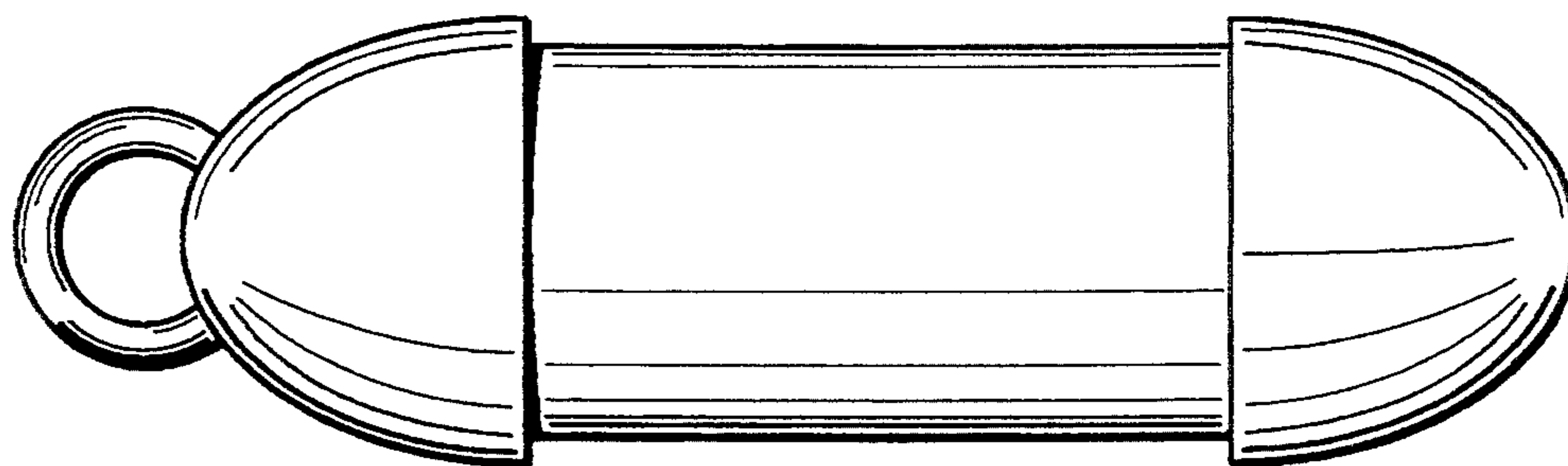




**FIG.\_1**



**FIG.\_2**



**FIG.\_3**