



US00D361506S

United States Patent [19] Rumpel

[11] Patent Number: **Des. 361,506**
[45] Date of Patent: **** Aug. 22, 1995**

[54] **CHRISTMAS LIGHT CLIP**

4,536,924 8/1985 Willoughby 24/545 X
5,318,292 6/1994 DeMarco 24/499 X

[75] Inventor: **Donald Rumpel**, Box 549,
Smelterville, Id. 83868

[73] Assignee: **Donald Rumpel**, Smelterville, Id.

[**] Term: **14 Years**

[21] Appl. No.: **7,264**

[22] Filed: **Apr. 16, 1993**

[52] U.S. Cl. **D8/395**

[58] Field of Search **D8/395; 24/499, 545,
24/555; 248/74.2, 229, 231.8, 316.1**

[56] **References Cited**

U.S. PATENT DOCUMENTS

1,362,221 12/1920 Blackmore 248/49
3,228,640 1/1966 Wolsh 248/229
3,259,347 7/1966 Yates 248/73

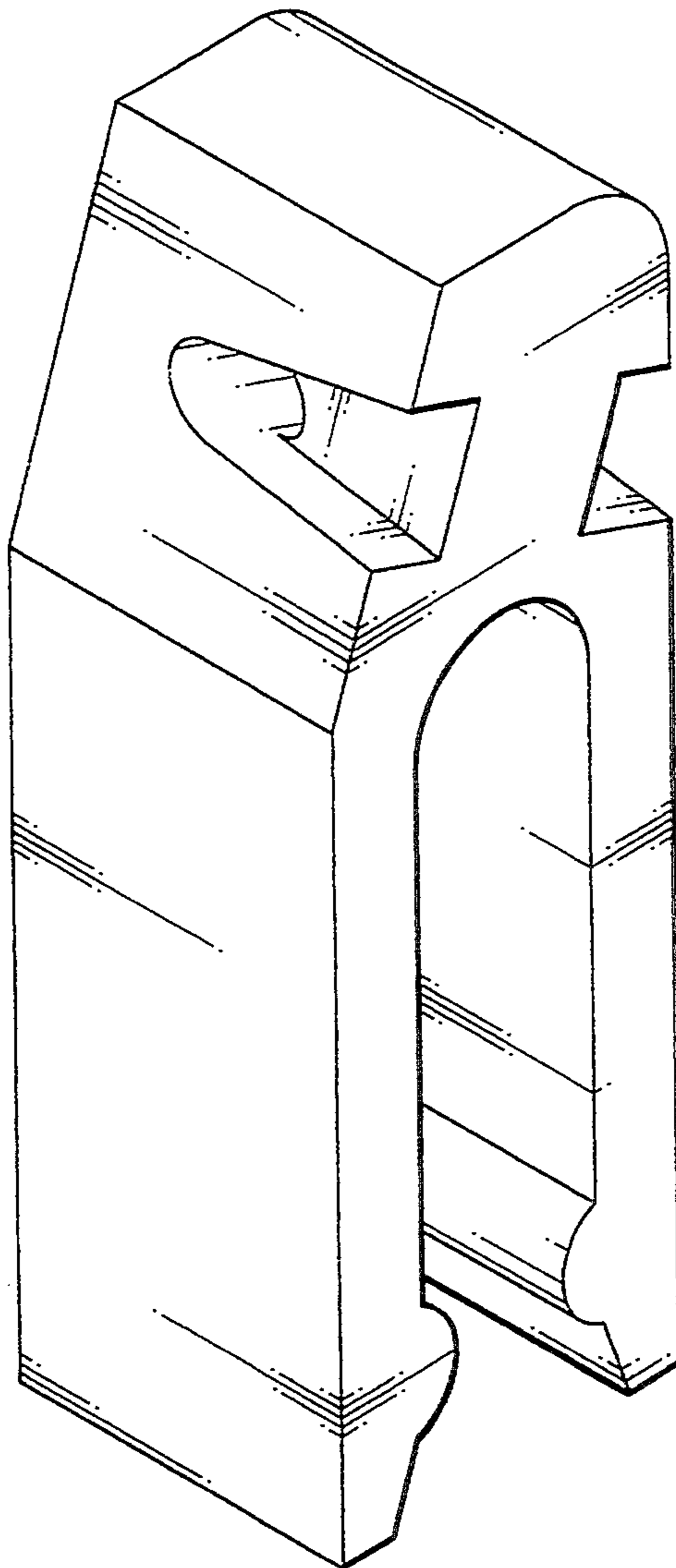
Primary Examiner—Terry A. Wallace
Assistant Examiner—Nanda Bondade
Attorney, Agent, or Firm—Wells, St. John, Roberts,
Gregory & Matkin

[57] **CLAIM**

The ornamental design for a Christmas light clip, as shown.

DESCRIPTION

FIG. 1 is a front side perspective view of a Christmas light clip showing my new design;
FIG. 2 is a rear side perspective view thereof;
FIG. 3 is a rear side elevation view thereof;
FIG. 4 is a front side elevation view thereof;
FIG. 5 is a bottom plan view thereof;
FIG. 6 is a top plan view thereof; and,
FIG. 7 is a right side elevation thereof.



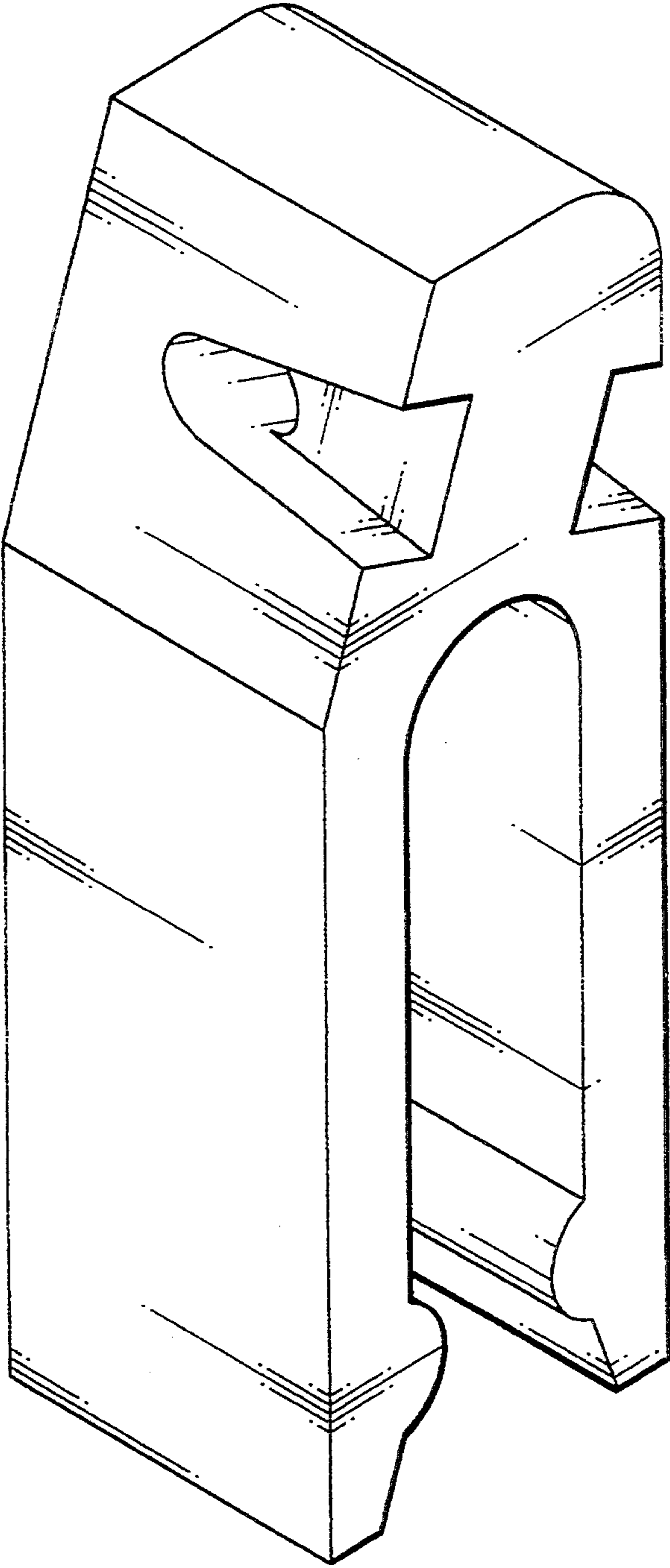
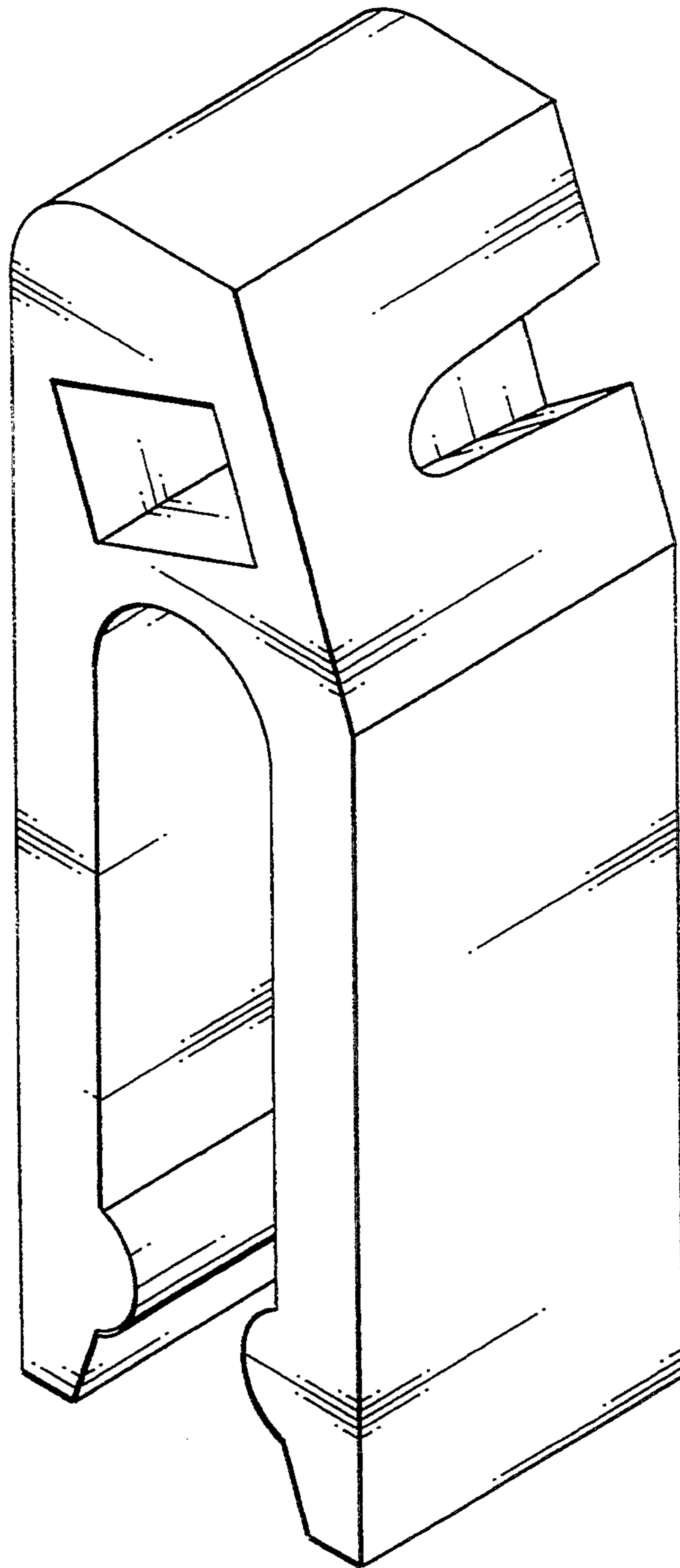


FIG. 1



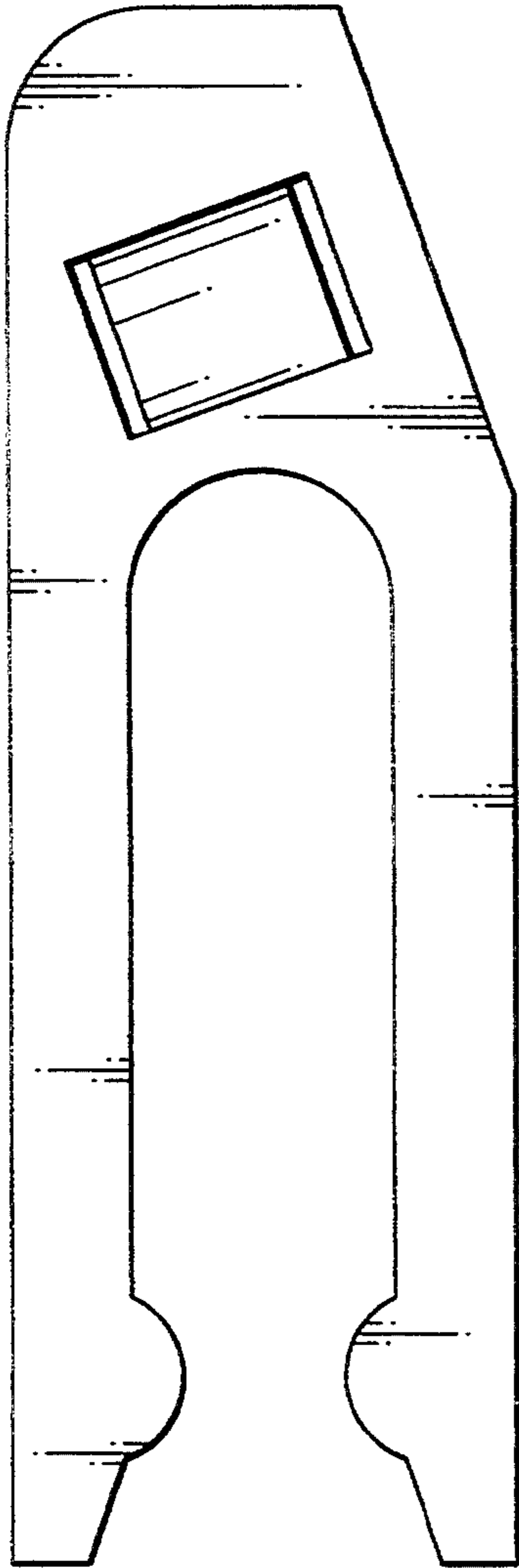


Fig. 3

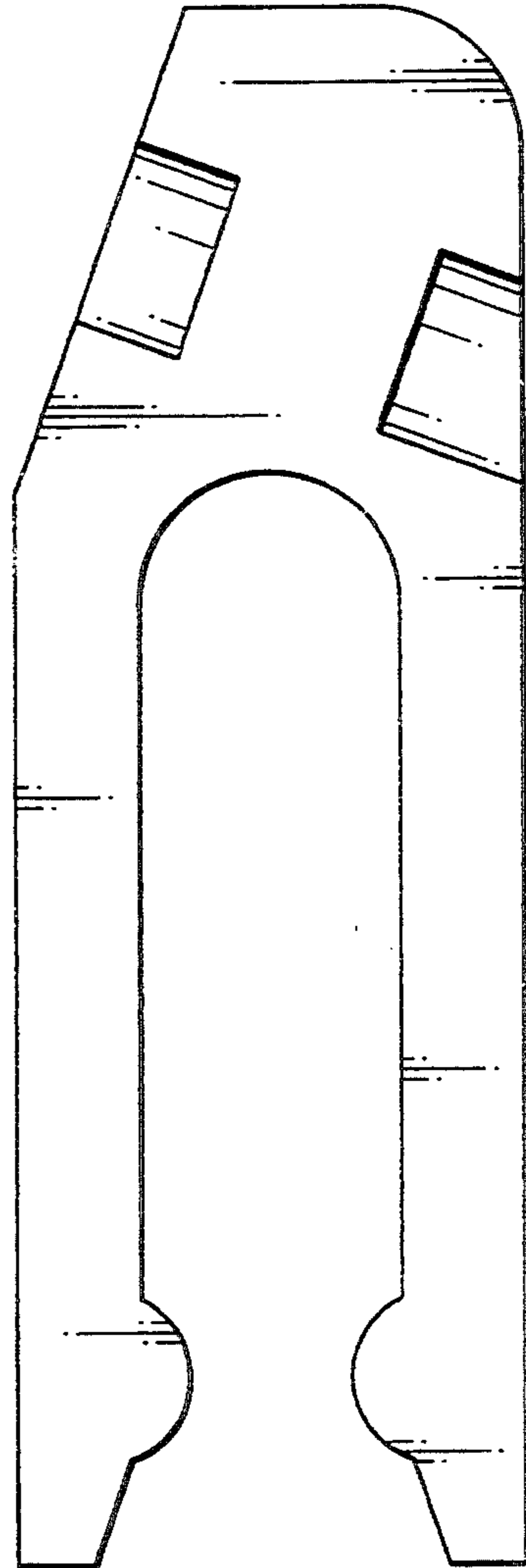


Fig. 4

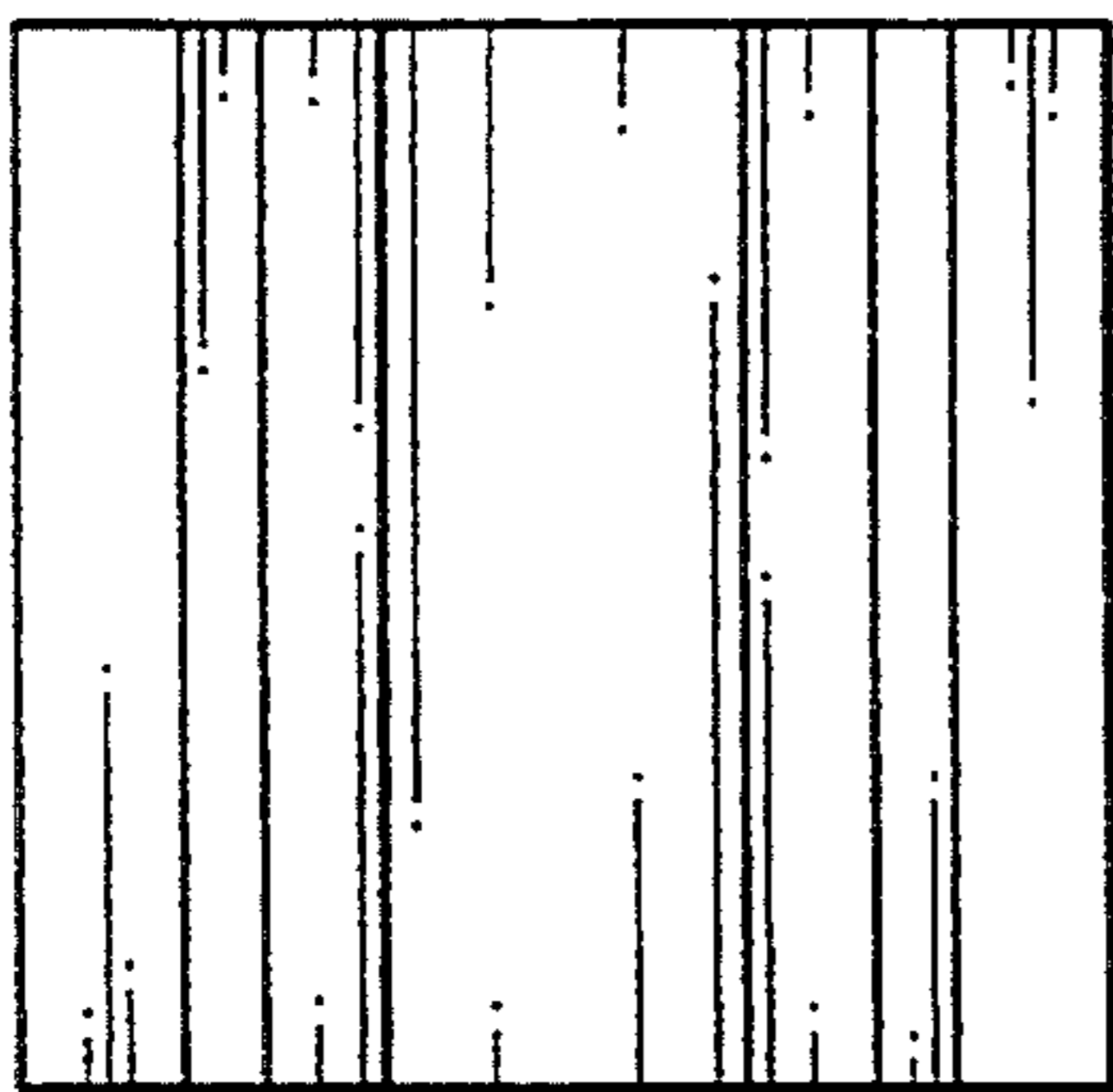


Fig. 5

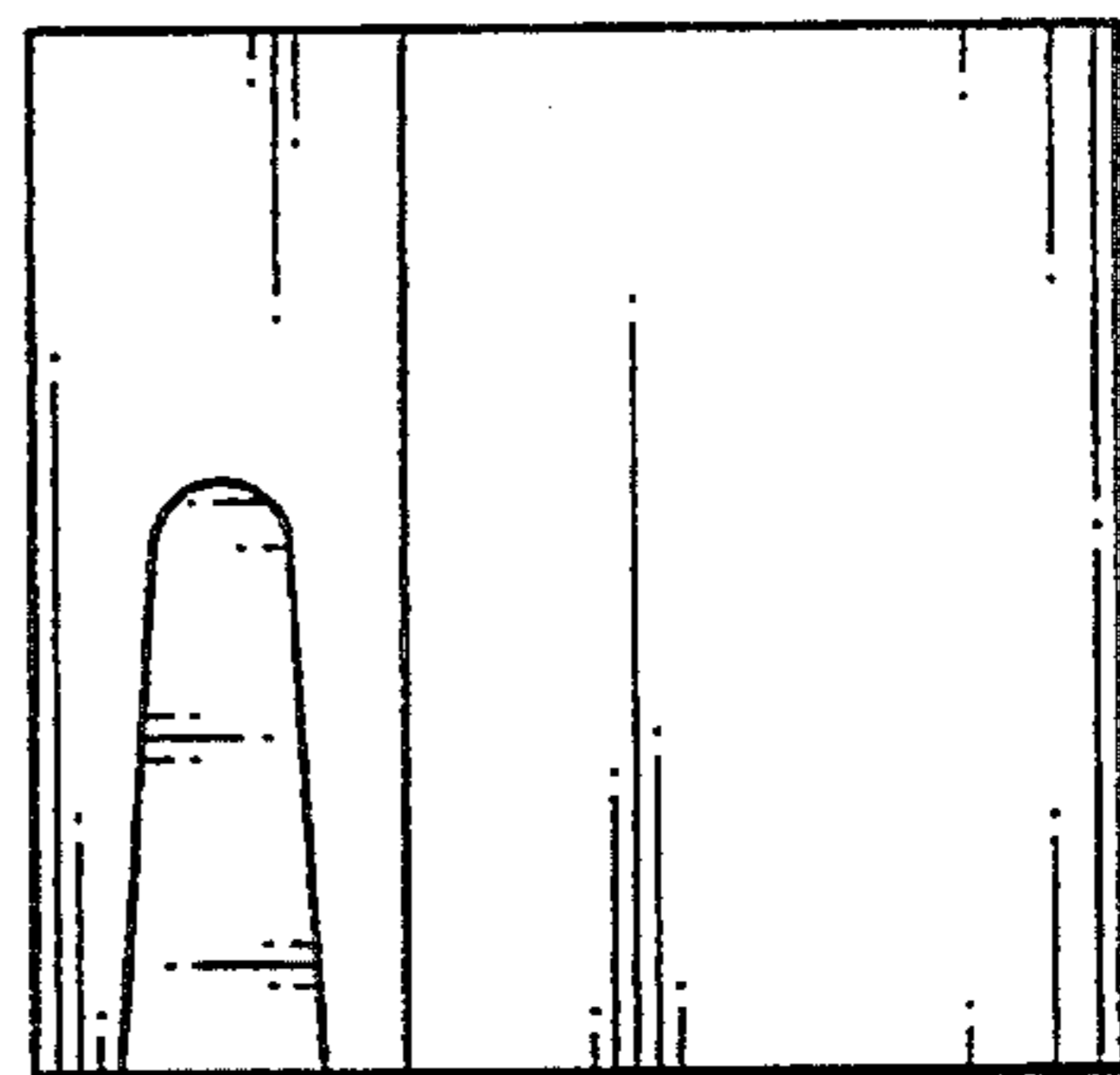


Fig. 6

