



US00D361504S

United States Patent [19]

[11] Patent Number: **Des. 361,504**

Woller

[45] Date of Patent: **** Aug. 22, 1995**

[54] **FLEXIBLE NAUTICAL HANGER**

[76] Inventor: **Ronald R. Woller**, 2305 Stratford Rd., Decatur, Ala. 35601

[**] Term: **14 Years**

[21] Appl. No.: **9,657**

[22] Filed: **Jun. 21, 1993**

[52] U.S. Cl. **D8/373; D12/317**

[58] Field of Search 224/246, 250, 252, 267, 224/202, 196; D8/373; D12/168, 317; 248/75; 24/304, 306, 16 P, 16 B, 196; 114/108, 343

[56] **References Cited**

U.S. PATENT DOCUMENTS

D. 312,770	12/1990	Berkan, Jr.	D8/373	X
D. 353,355	12/1994	Doyle	D12/168	
4,825,515	5/1989	Wolterstorff, Jr.	24/196	X
5,075,932	12/1991	Hunt et al.	24/16	PB
5,131,118	7/1992	Breher	24/306	
5,238,162	8/1993	LaCivita	224/202	X

Primary Examiner—James M. Gandy
Assistant Examiner—Holly Baynham
Attorney, Agent, or Firm—Burns, Doane, Swecker & Mathis

[57] **CLAIM**

The ornamental design for a flexible nautical hanger, as shown and described.

DESCRIPTION

FIG. 1 is a front elevational view of a first flexible nautical hanger showing my new design; FIG. 2 is a rear elevational view thereof; FIG. 3 is a right side elevational view thereof; FIG. 4 is a left side view thereof; FIG. 5 is a top view thereof; FIG. 6 is a bottom view thereof; FIG. 7 is a front elevational view of a second flexible nautical hanger showing my new design; and, FIG. 8 is a rear elevational view thereof.

The claimed article is shown broken away in FIGS. 1-4, 7 and 8 to indicate indeterminate length.

The undisclosed side, top and bottom views of the second embodiment are similar in appearance to the side, top and bottom views of the first embodiment except for the absence of the circular fastener.

The contrasting cross-hatched shading represents a nylon material and is understood to cover the entire surface of the strap portion of the hanger.

The broken line portions of the drawings are merely illustrative of the environment and do not constitute part of the design of the claimed invention.

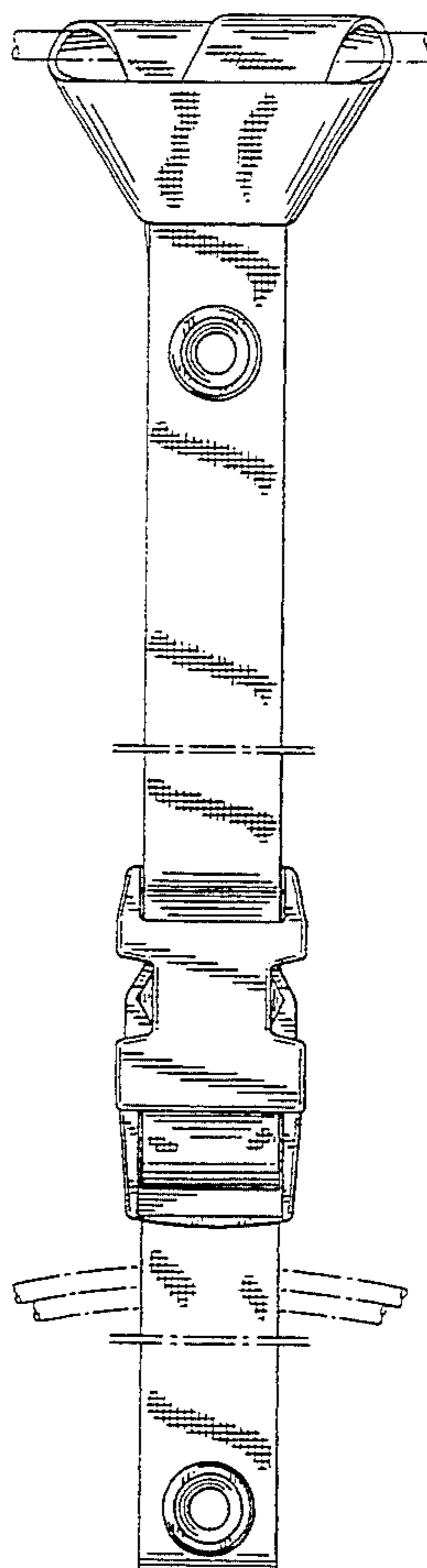


Fig. 1

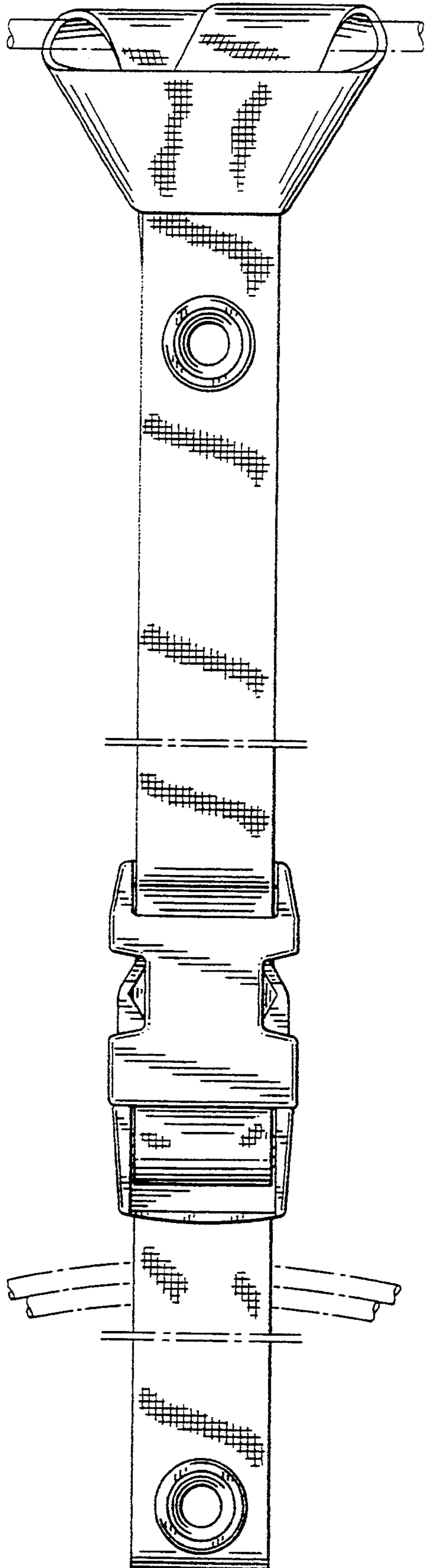
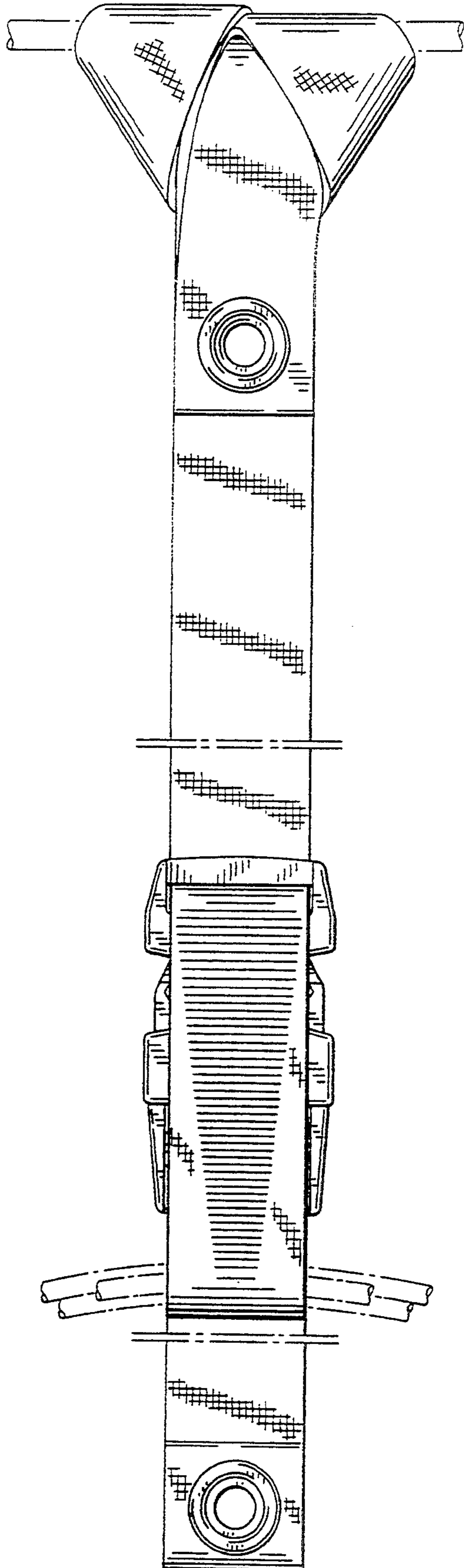


Fig. 2



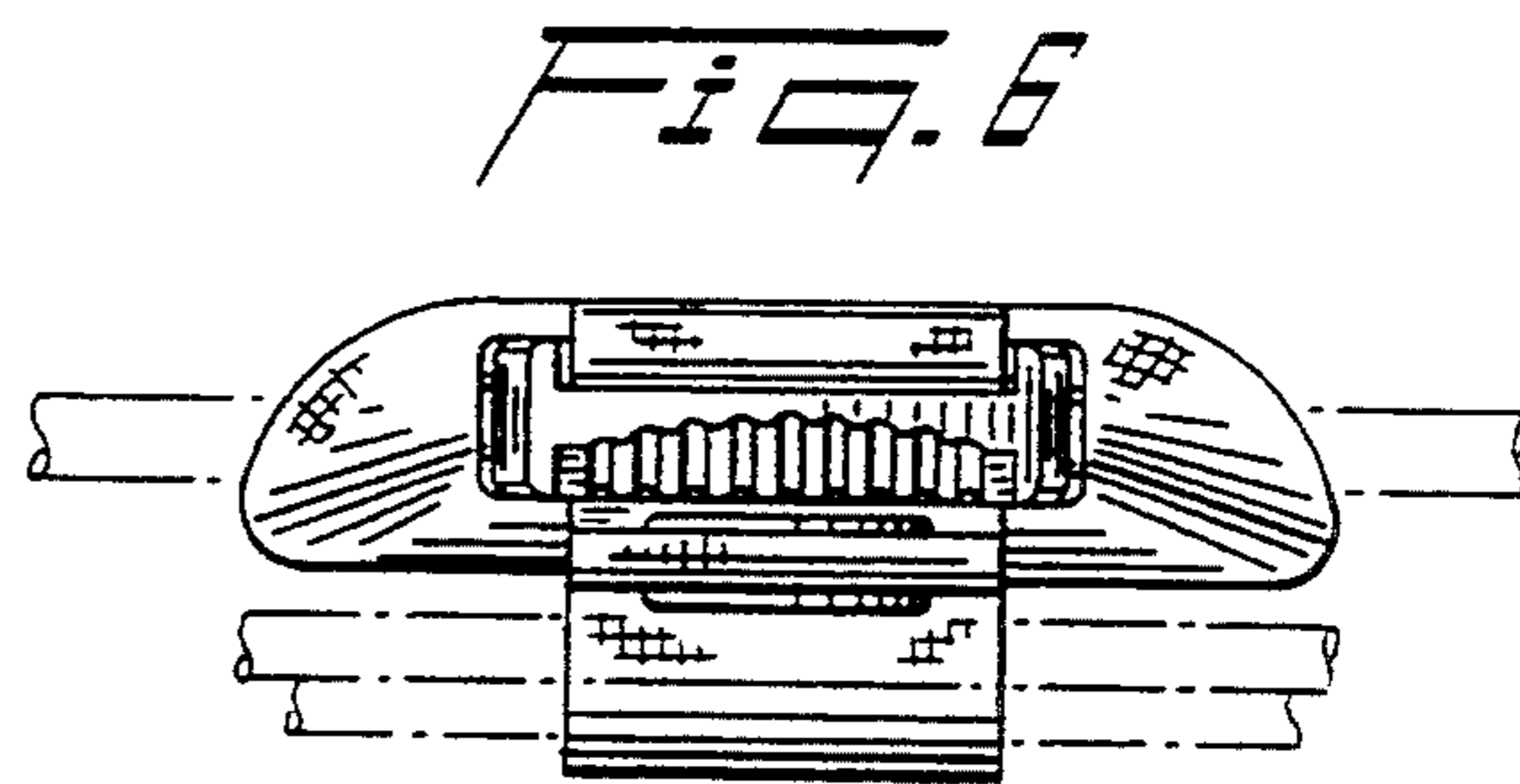
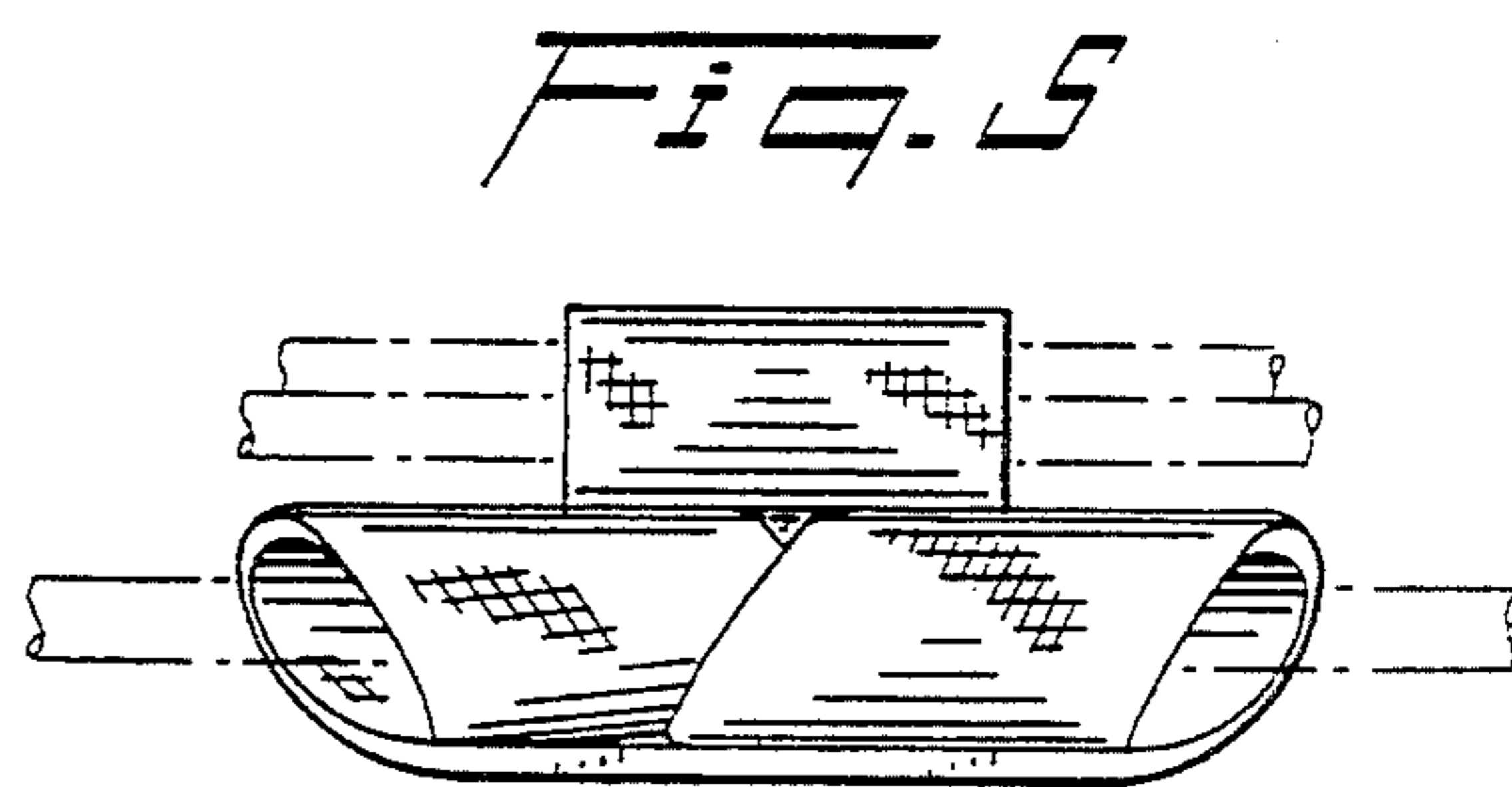
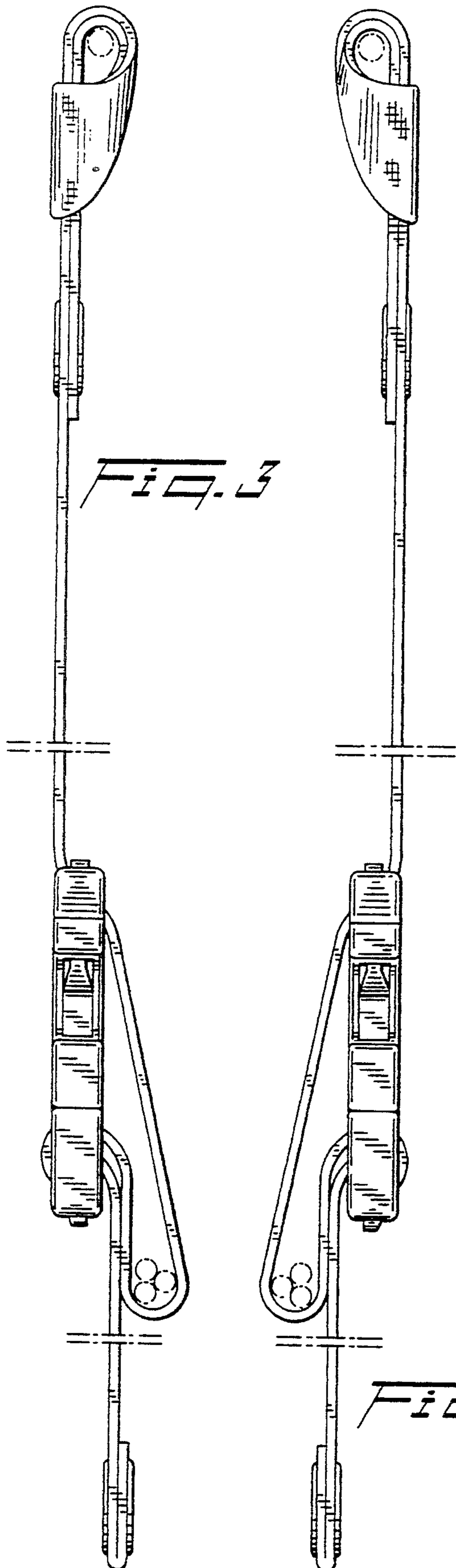


Fig. 7

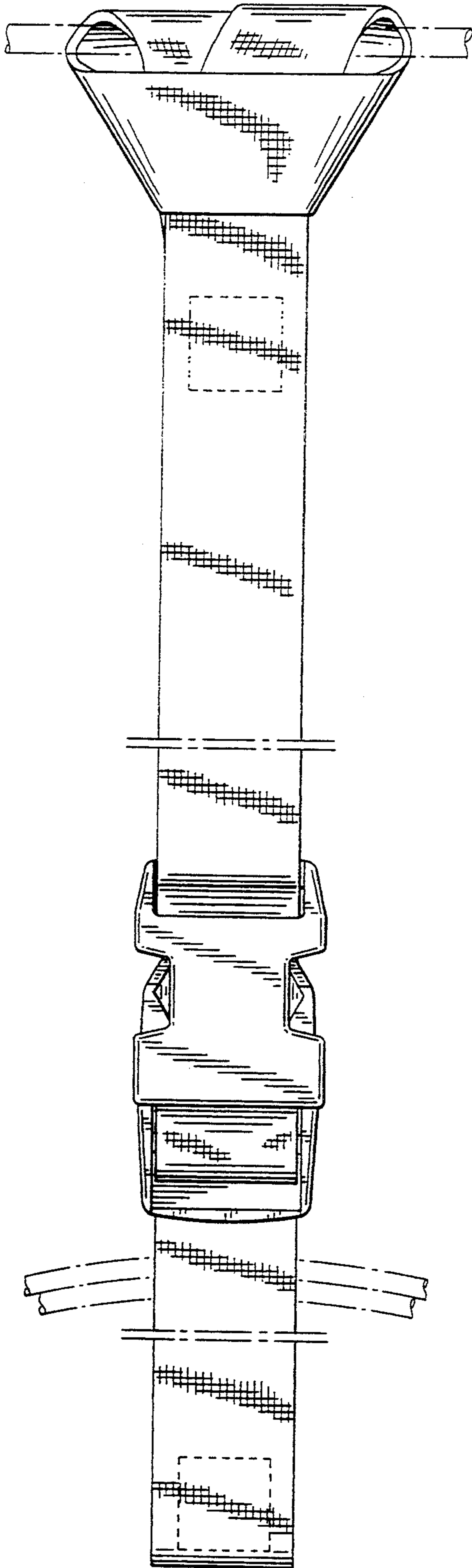


Fig. 8

