



US00D361501S

United States Patent [19]

[11] Patent Number: **Des. 361,501**

Myers

[45] Date of Patent: **** Aug. 22, 1995**

[54] **MOTORCYCLE SWITCH LOCK**
 [75] Inventor: **Gary L. Myers, Monee, Ill.**
 [73] Assignee: **Fort Lock Corporation, River Grove, Ill.**
 [**] Term: **14 Years**
 [21] Appl. No.: **27,608**
 [22] Filed: **Aug. 25, 1994**
 [52] U.S. Cl. **D8/331; D8/343**
 [58] Field of Search **D8/331, 336, 343, 330; 70/491, 252, 404, 373, 247**

Primary Examiner—Kay H. Chin
Attorney, Agent, or Firm—Leydig, Voit & Mayer, Ltd.

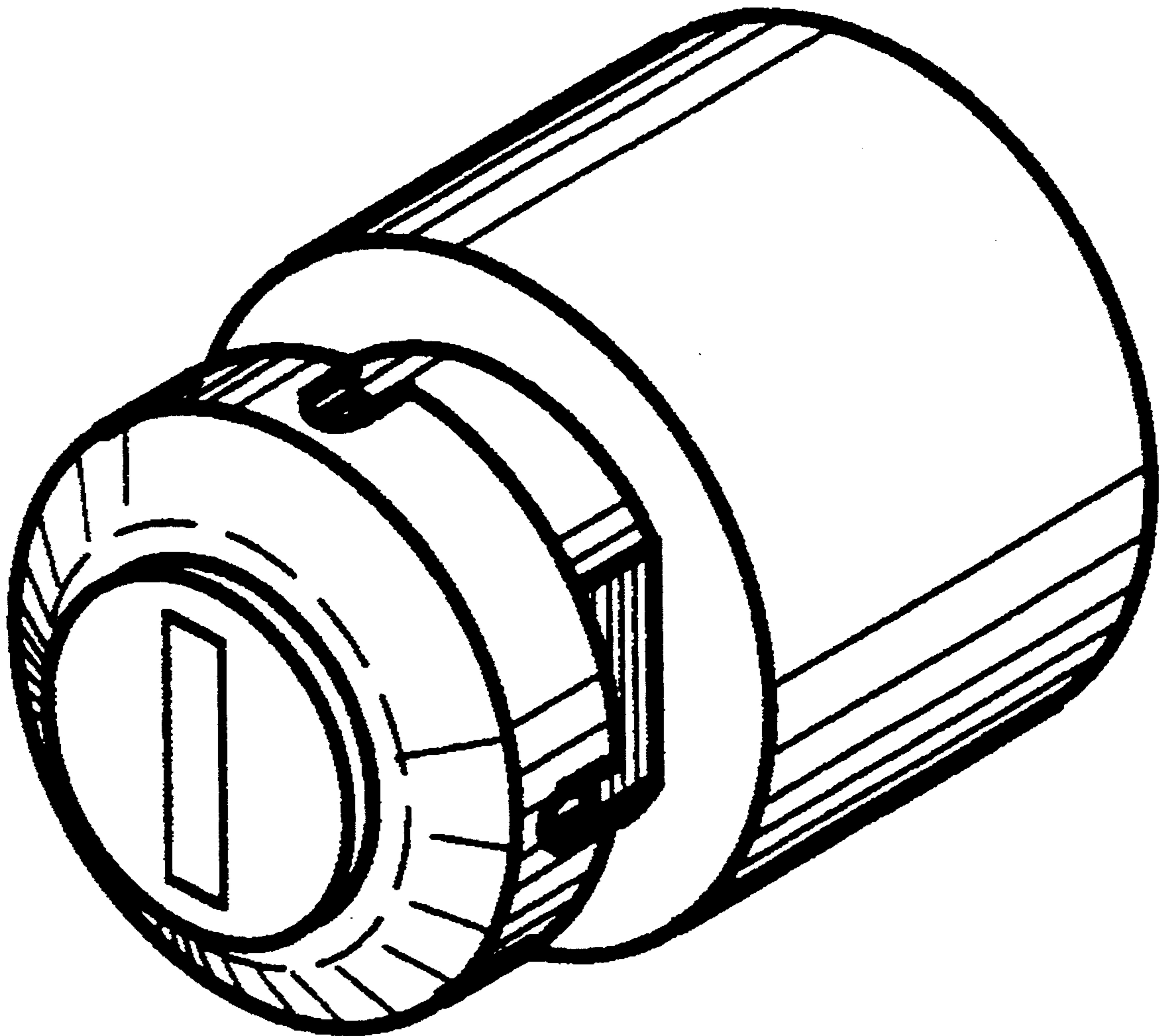
[57] CLAIM

The ornamental design for a motorcycle switch lock, as shown and described.

DESCRIPTION

FIG. 1 is a top perspective view of a motorcycle switch lock showing my new design;
 FIG. 2 is a top elevational view thereof;
 FIG. 3 is a right side elevational view thereof;
 FIG. 4 is a front elevational view thereof;
 FIG. 5 is a top perspective view of a second embodiment of the motorcycle switch lock;
 FIG. 6 is a top elevational view thereof;
 FIG. 7 is a right side elevational view thereof; and,
 FIG. 8 is a front elevational view thereof.

[56] **References Cited**
U.S. PATENT DOCUMENTS
 5,105,637 4/1992 Kovens 70/491
 5,349,835 9/1994 Liao 70/491



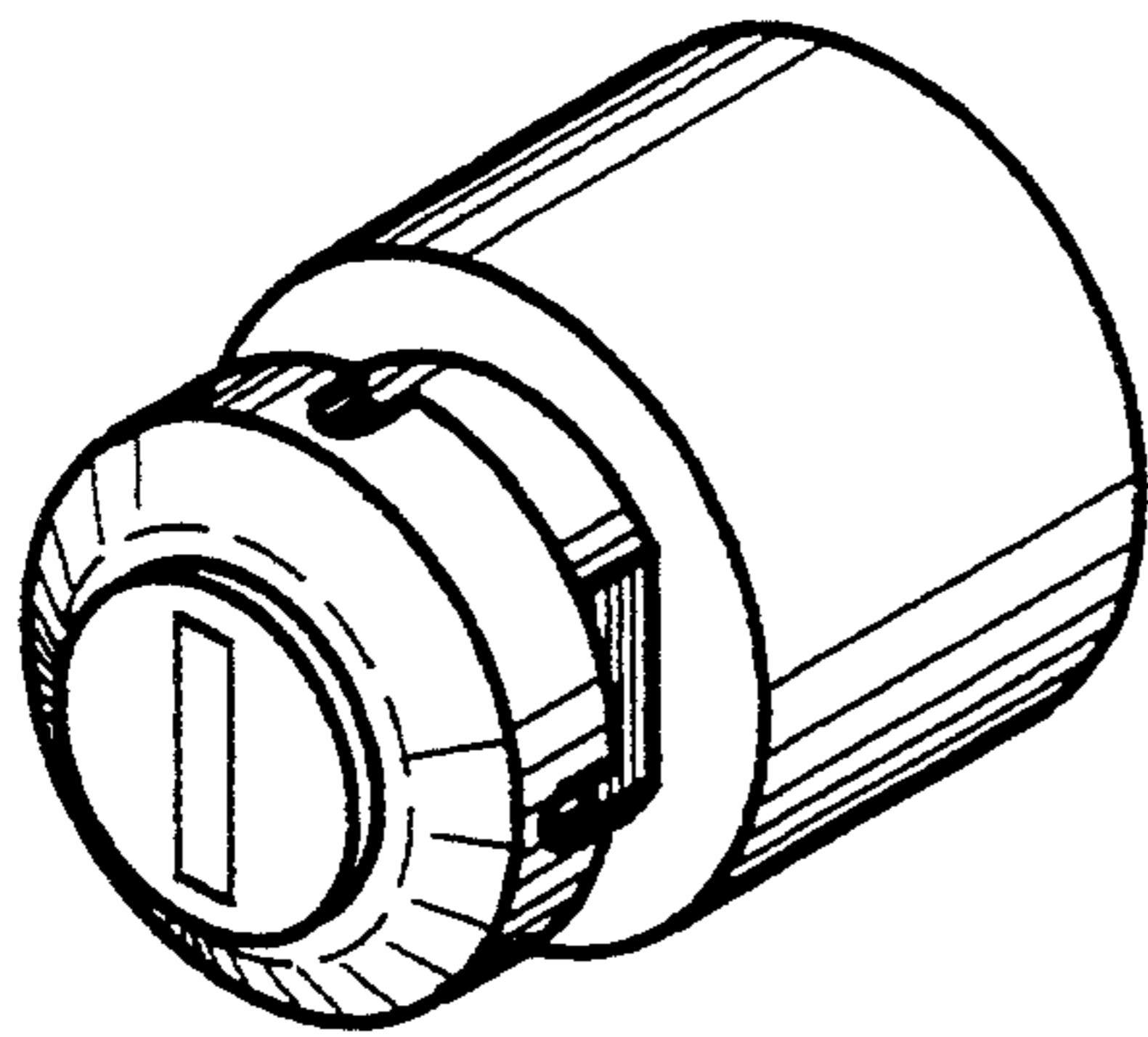


FIG. 1

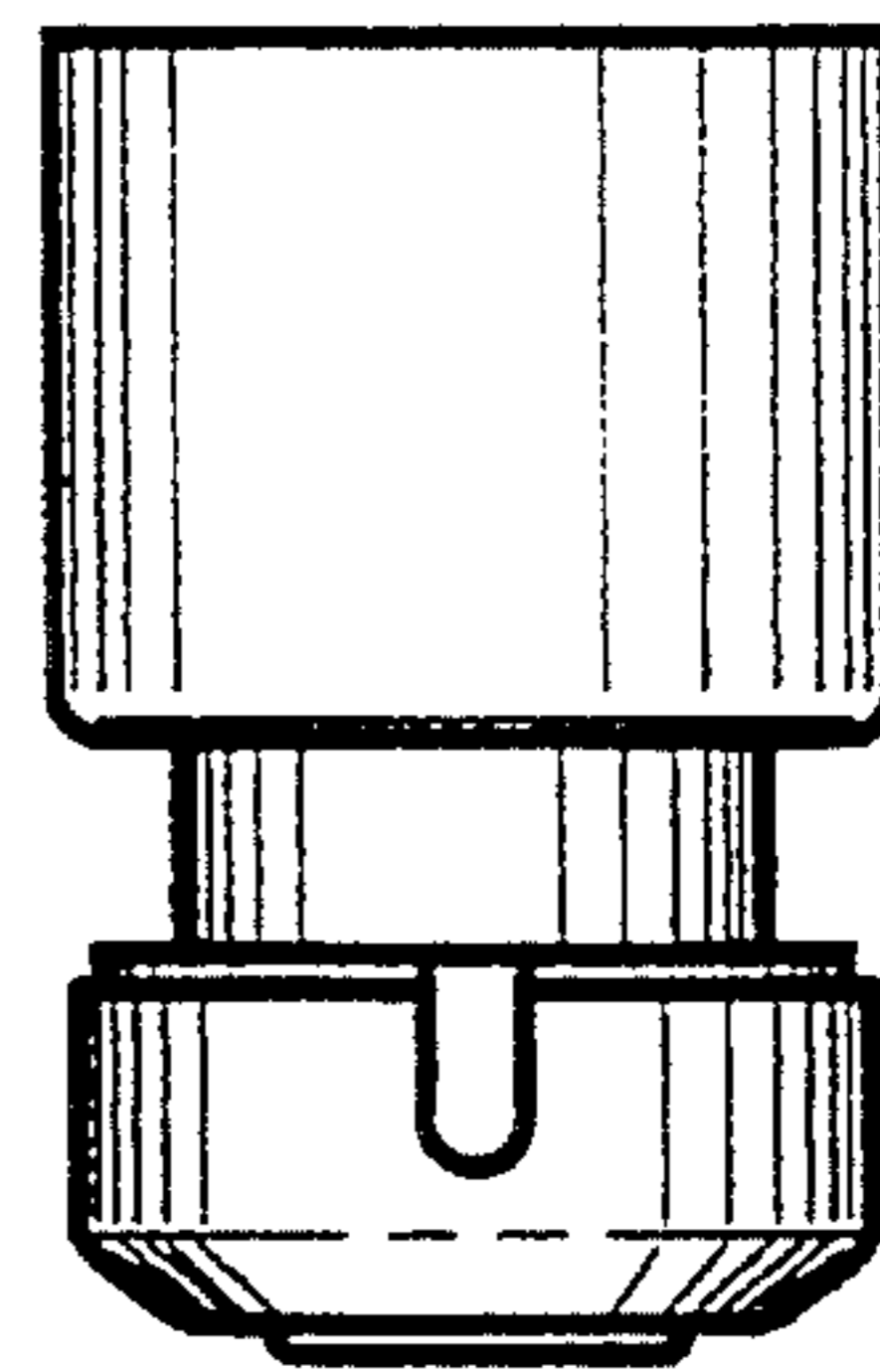


FIG. 2

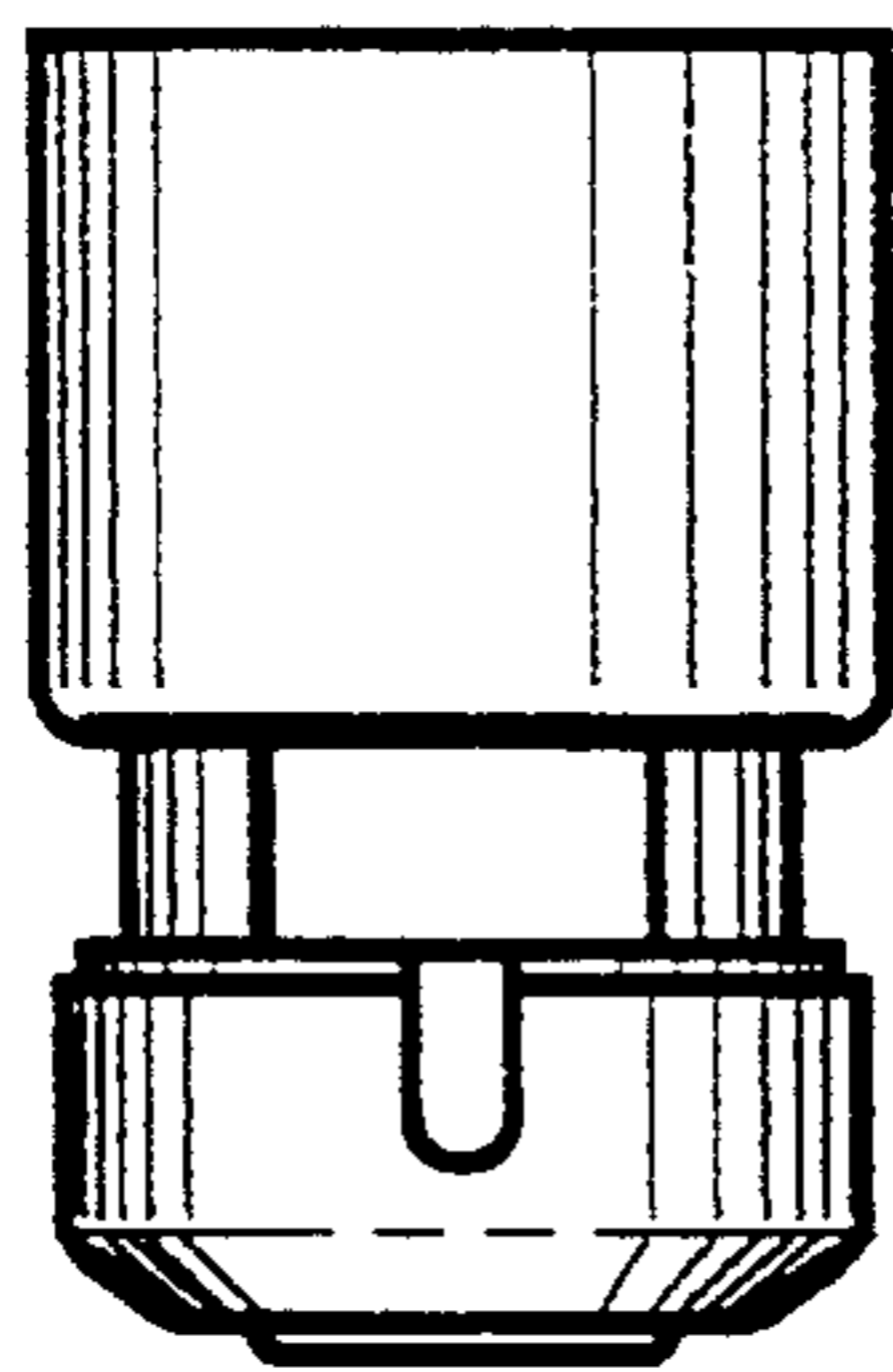


FIG. 3

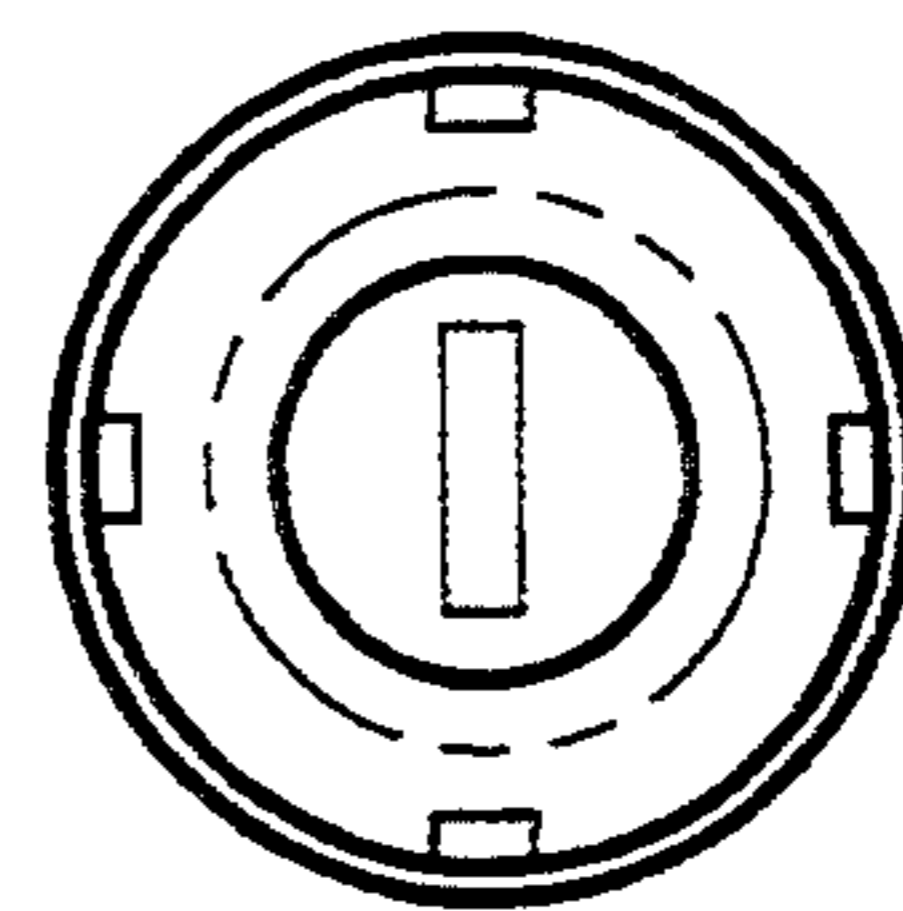


FIG. 4

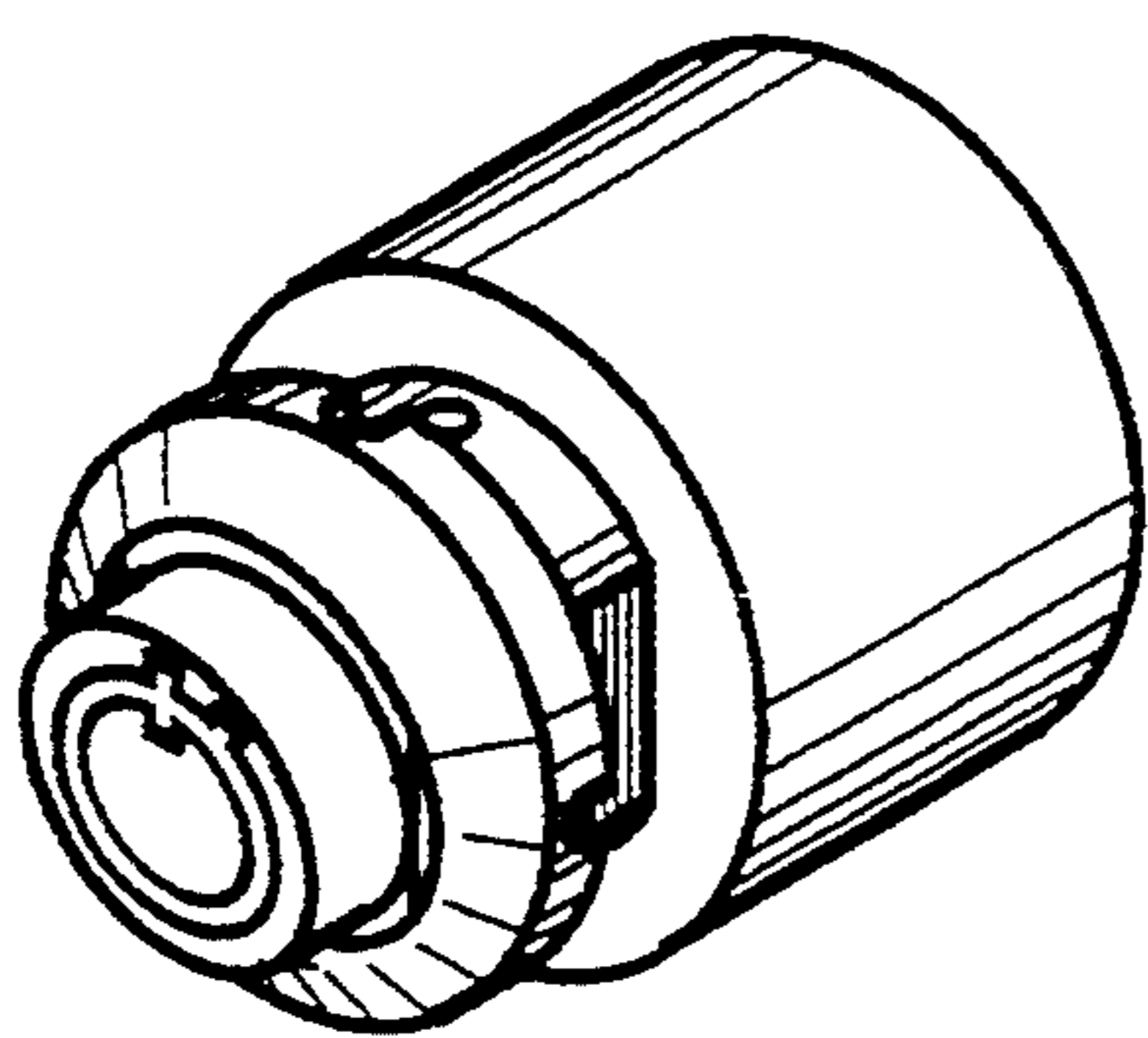


FIG. 5

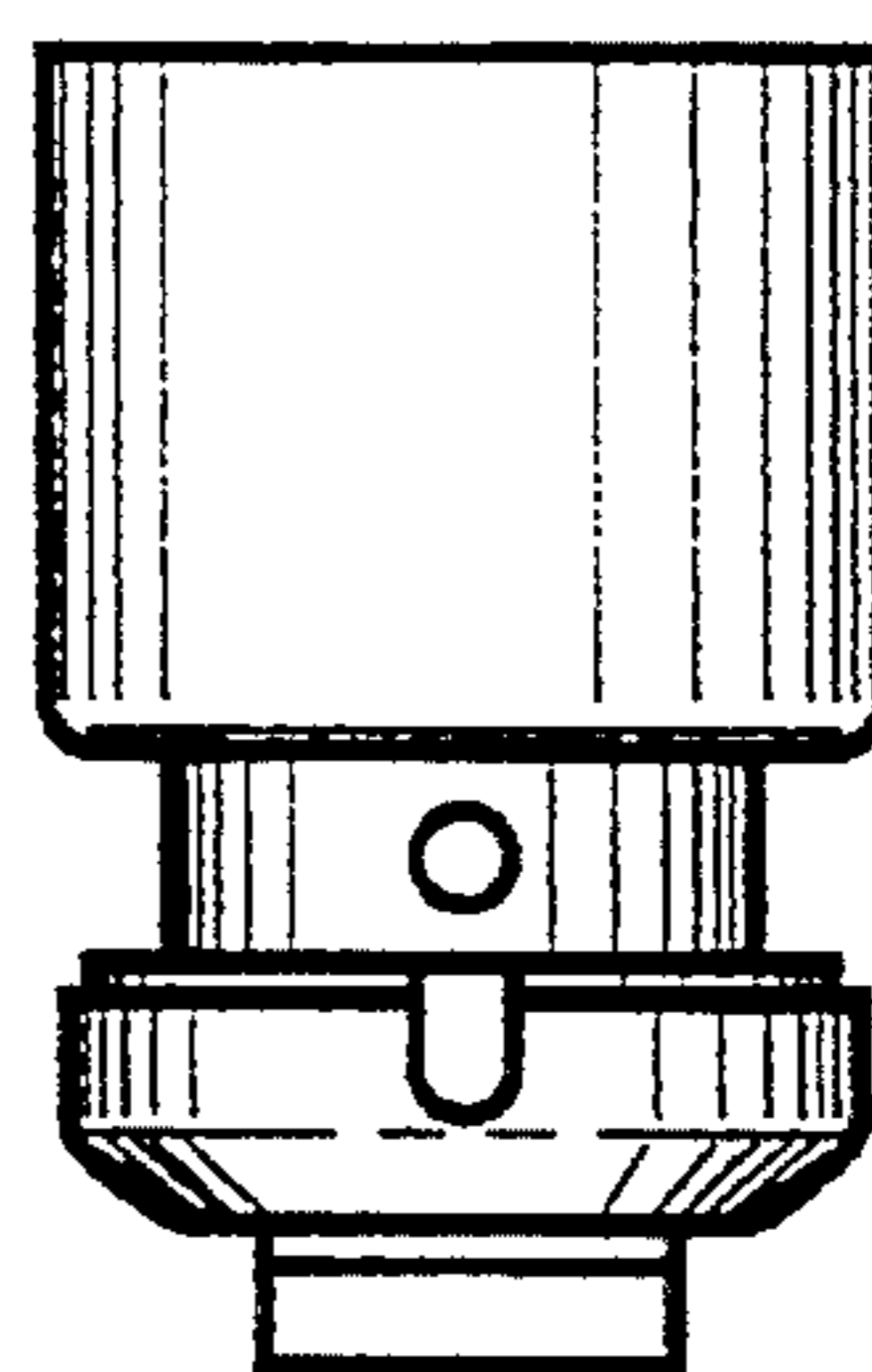


FIG. 6

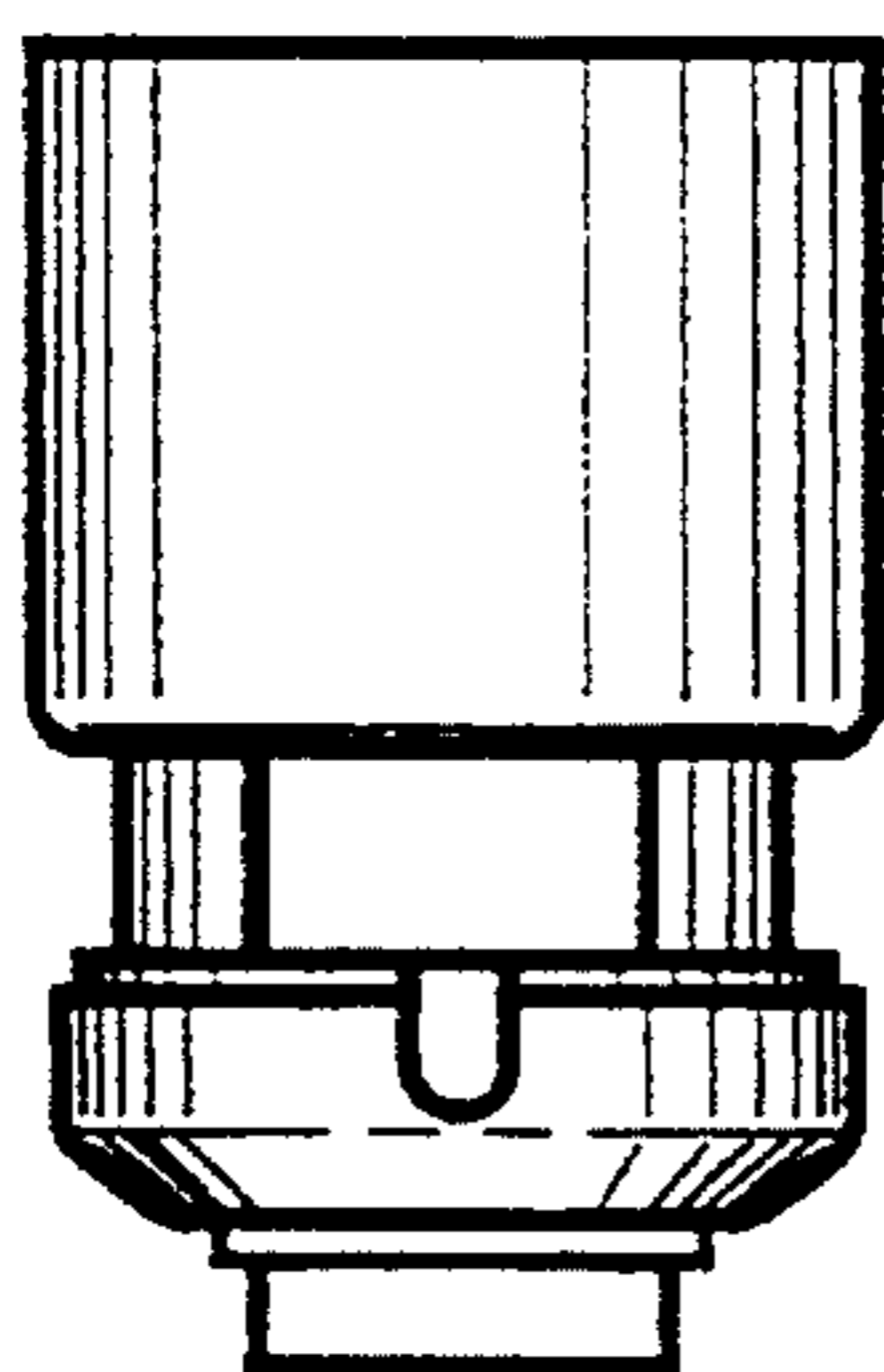


FIG. 7

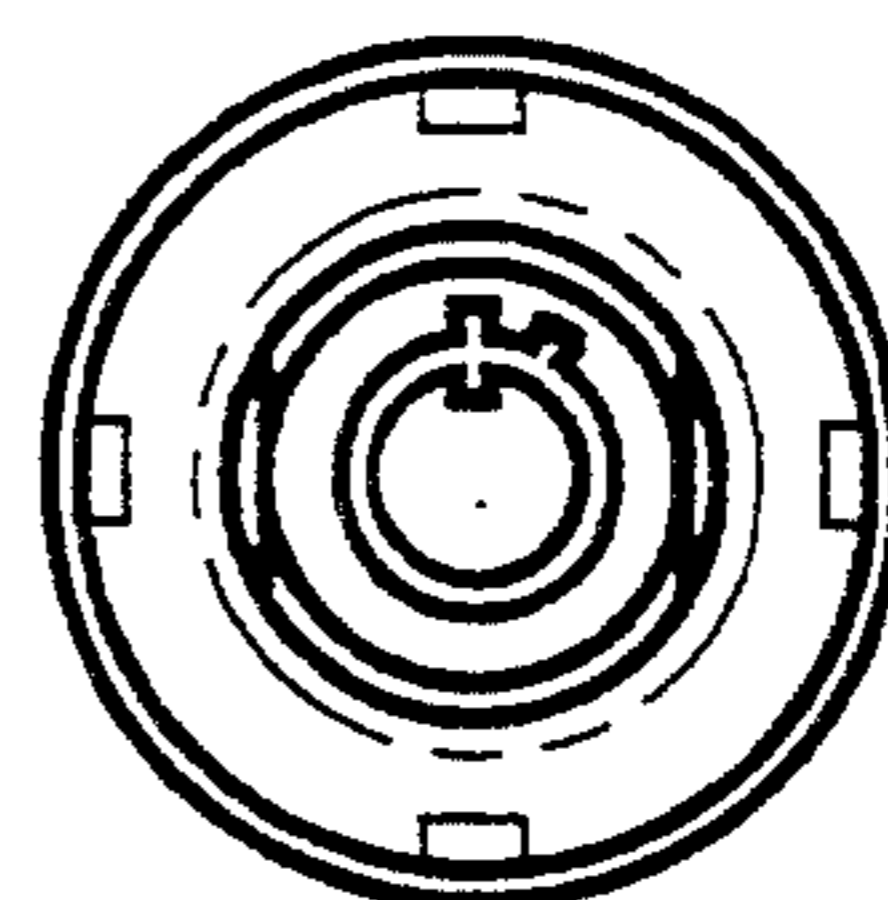


FIG. 8