



US00D361499S

United States Patent [19]

Gisiger

[11] Patent Number: **Des. 361,499**

[45] Date of Patent: **** Aug. 22, 1995**

[54] LUGGAGE LOCK

[76] Inventor: **Urs Gisiger, Schulhausstrasse 19, 2545 Selzach, Switzerland**

[**] Term: **14 Years**

[21] Appl. No.: **20,394**

[22] Filed: **Mar. 25, 1994**

[52] U.S. Cl. **D8/331**

[58] Field of Search **D8/330-331, D8/339, 341-342; 70/57, 64, 67, 69-72; 292/DIG. 42, DIG. 48**

D. 324,808 3/1992 Gisiger D8/331
D. 351,331 10/1994 Kuo D8/331
3,998,077 12/1976 Bako 70/67 X

Primary Examiner—Brian N. Vinson

[57] CLAIM

The ornamental design for luggage lock, as shown and described.

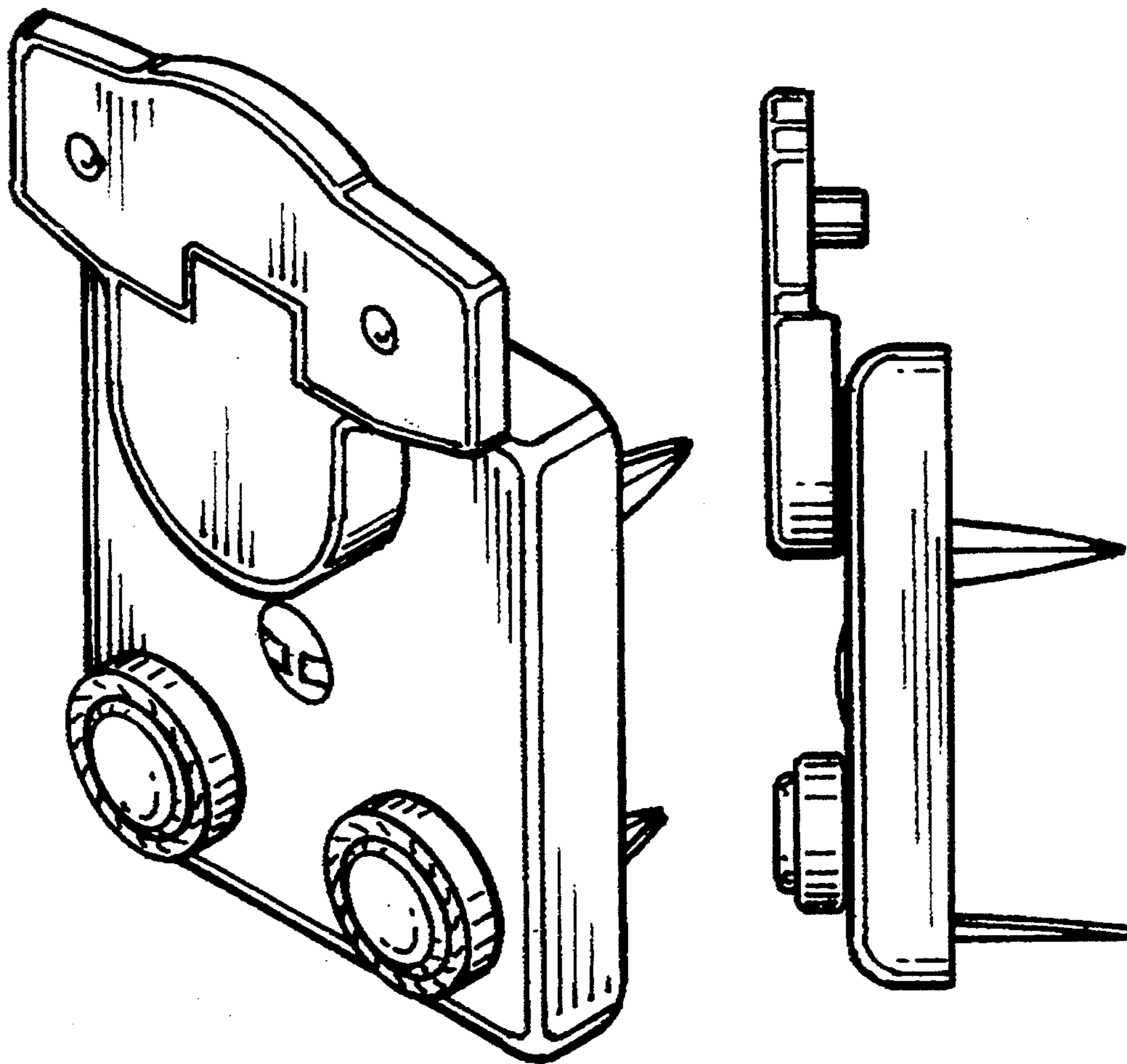
DESCRIPTION

FIG. 1 is a perspective view of luggage lock showing my new design;
FIG. 2 is a plan view thereof;
FIG. 3 is a front elevational view thereof;
FIG. 4 is a right side elevational view thereof, the left side elevational view being a mirror image thereof;
FIG. 5 is a bottom view thereof, and,
FIG. 6 is a rear elevational view thereof.

[56] References Cited

U.S. PATENT DOCUMENTS

D. 306,819 3/1990 Gisiger D8/342
D. 323,282 1/1992 Gisiger D8/331



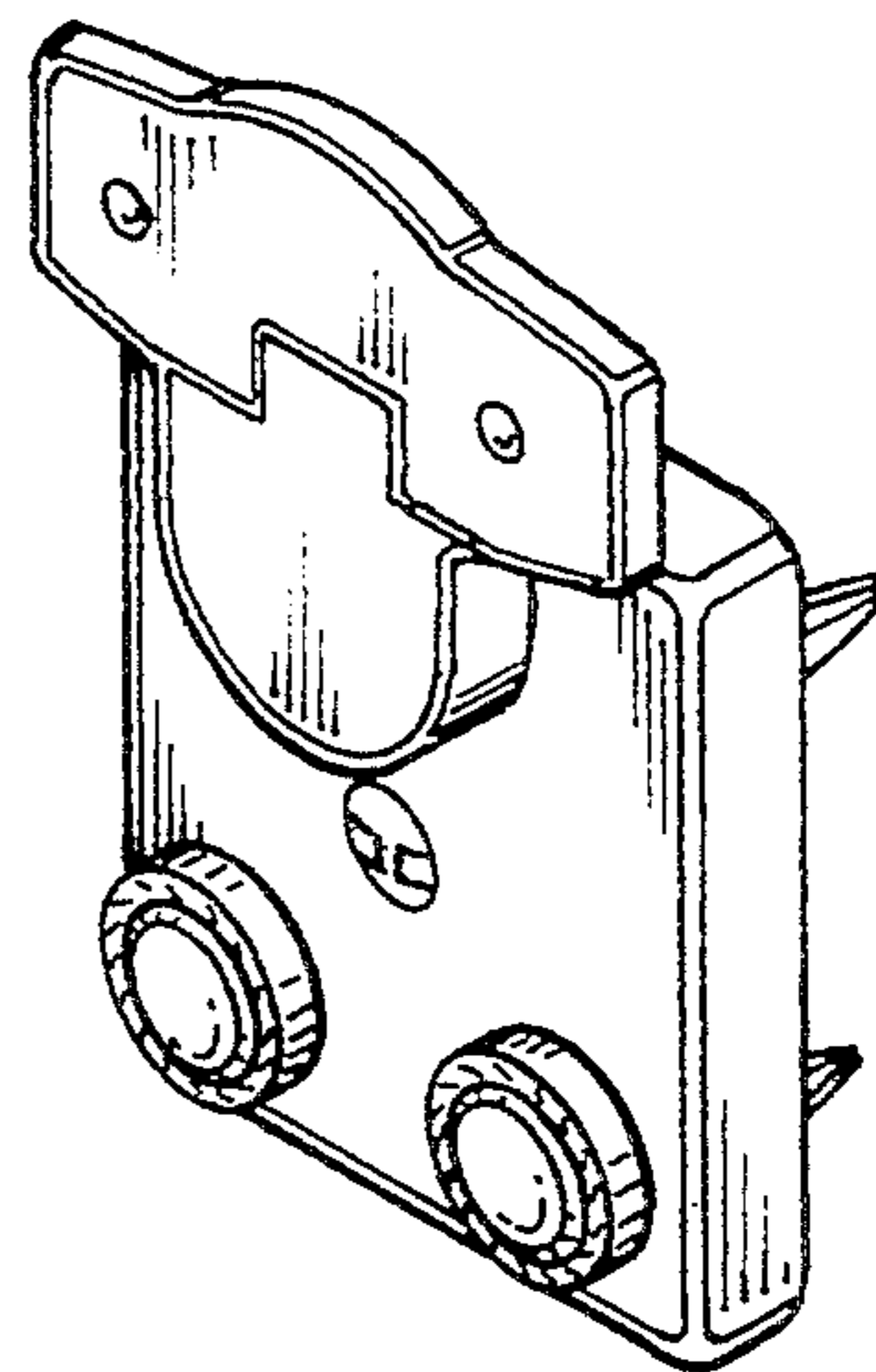


FIG. 1

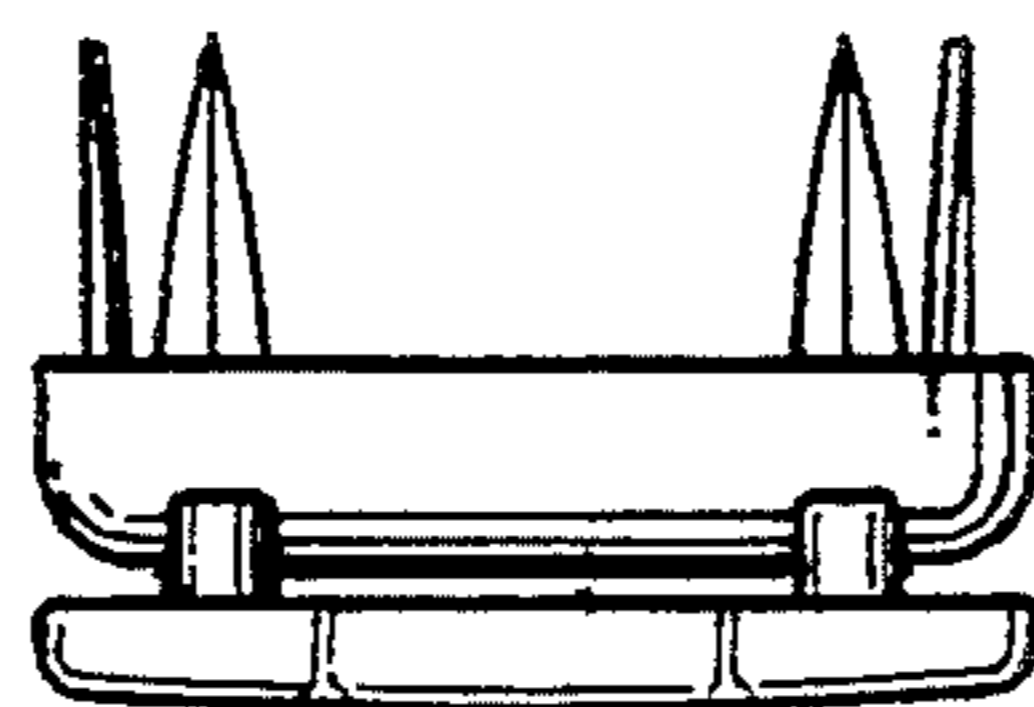


FIG. 2

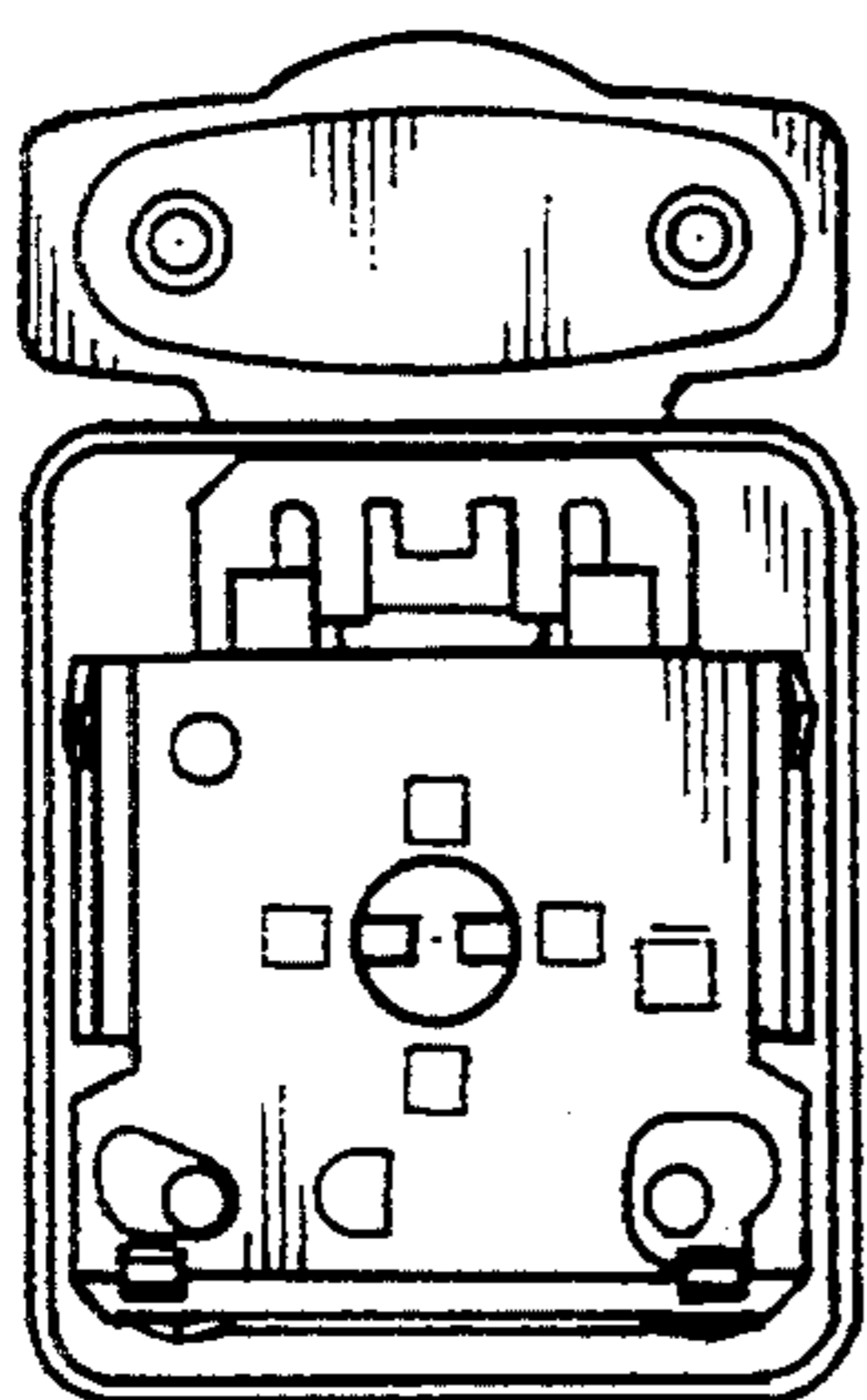


FIG. 6

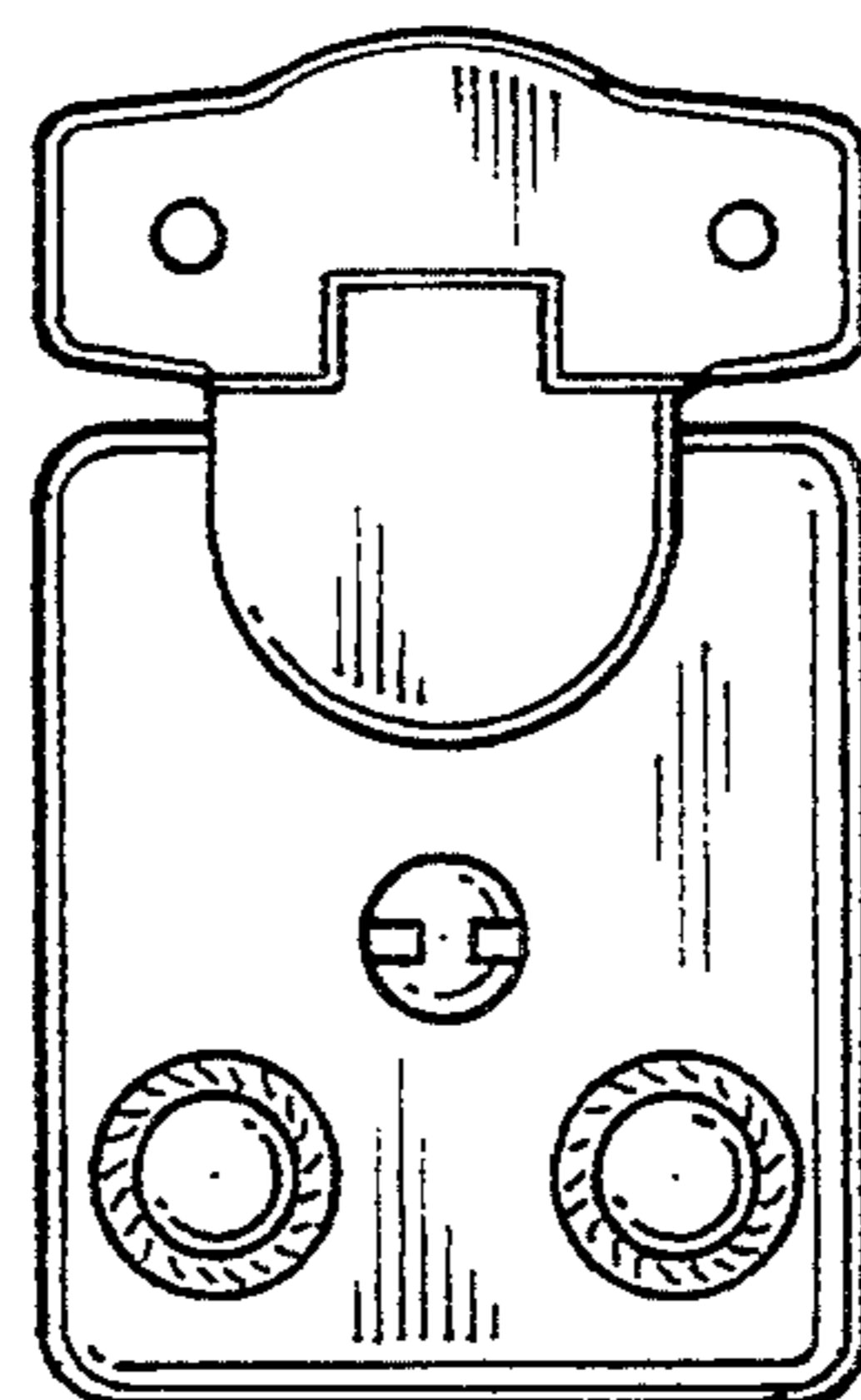


FIG. 3

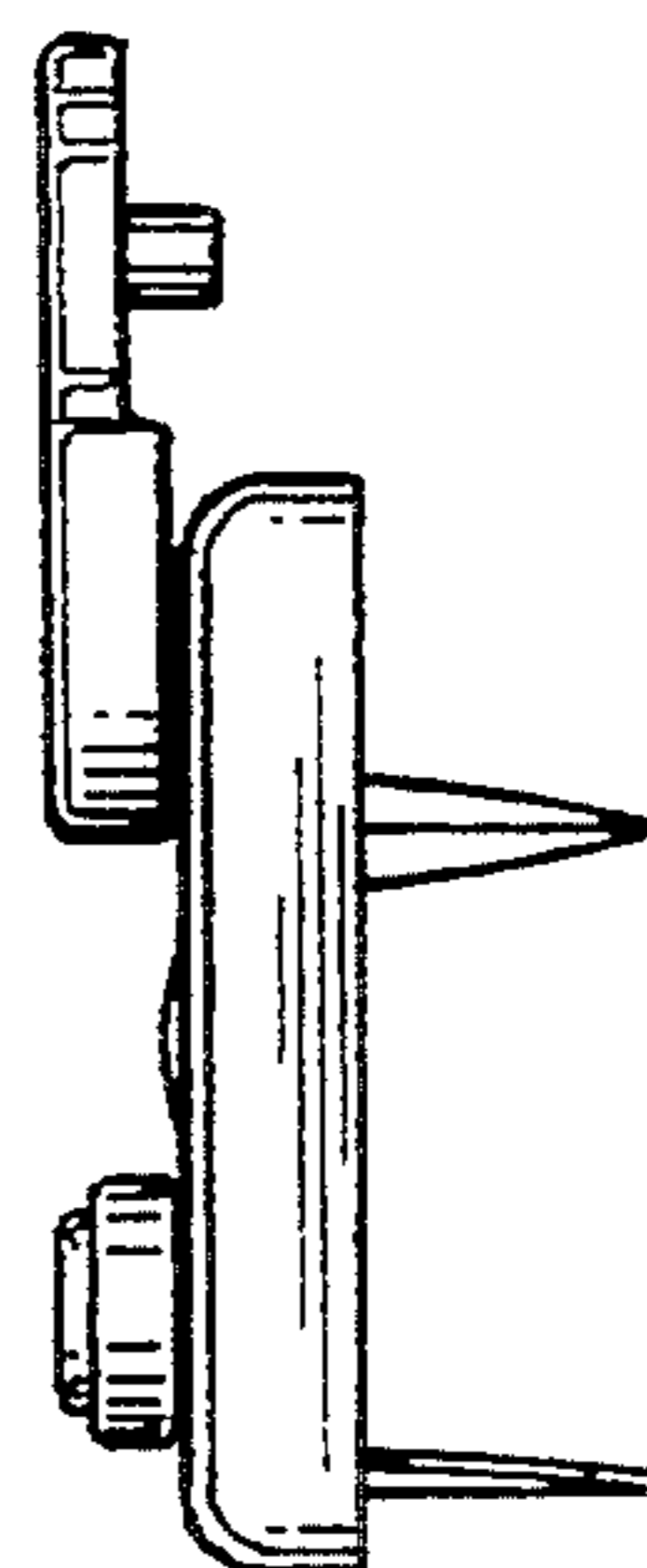


FIG. 4

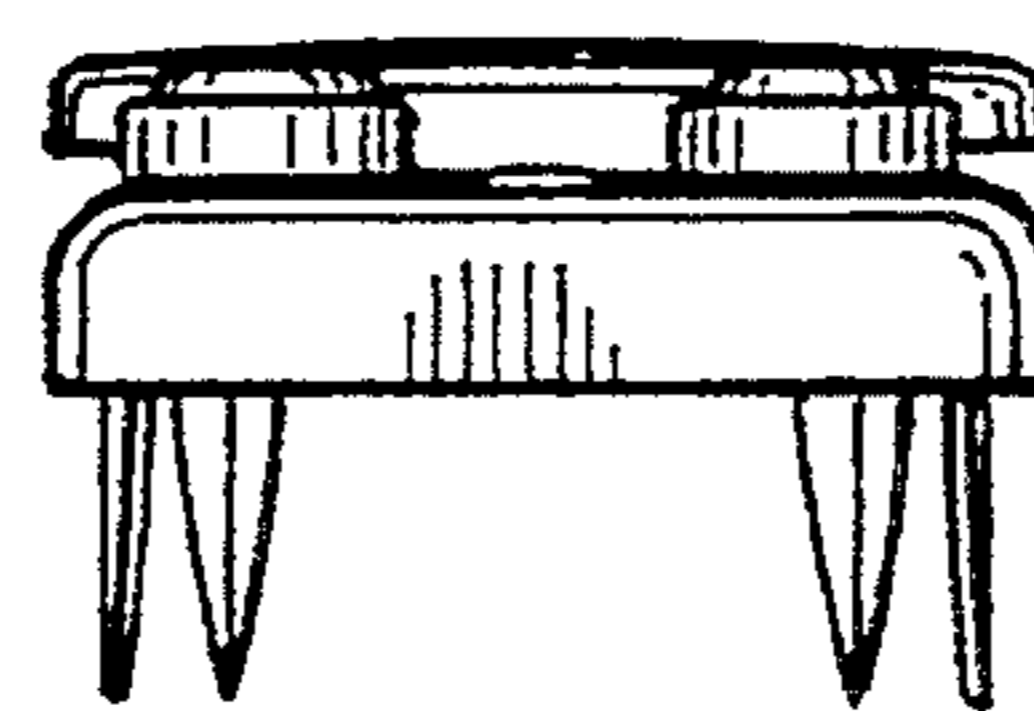


FIG. 5