



US00D361495S

United States Patent [19]

[11] Patent Number: **Des. 361,495**

Warshawsky

[45] Date of Patent: **** Aug. 22, 1995**

[54] **GRAB BAR HANDLE**

[75] Inventor: **Jerome Warshawsky**, Hewlett Harbor, N.Y.

[73] Assignee: **I.W. Industries, Inc.**, Melville, N.Y.

[**] Term: **14 Years**

[21] Appl. No.: **27,867**

[22] Filed: **Aug. 31, 1994**

[52] U.S. Cl. **D8/316**

[58] Field of Search **D8/300, 315, 316-320; D6/546, 549; 211/16; 16/110 R, 111 R**

[56] **References Cited**

U.S. PATENT DOCUMENTS

D. 222,778 12/1971 Clayton D6/549

D. 246,950 1/1978 Palm, Jr. D8/316
D. 274,035 5/1984 Pawlow D8/316
D. 312,763 12/1990 Tremonti D8/316

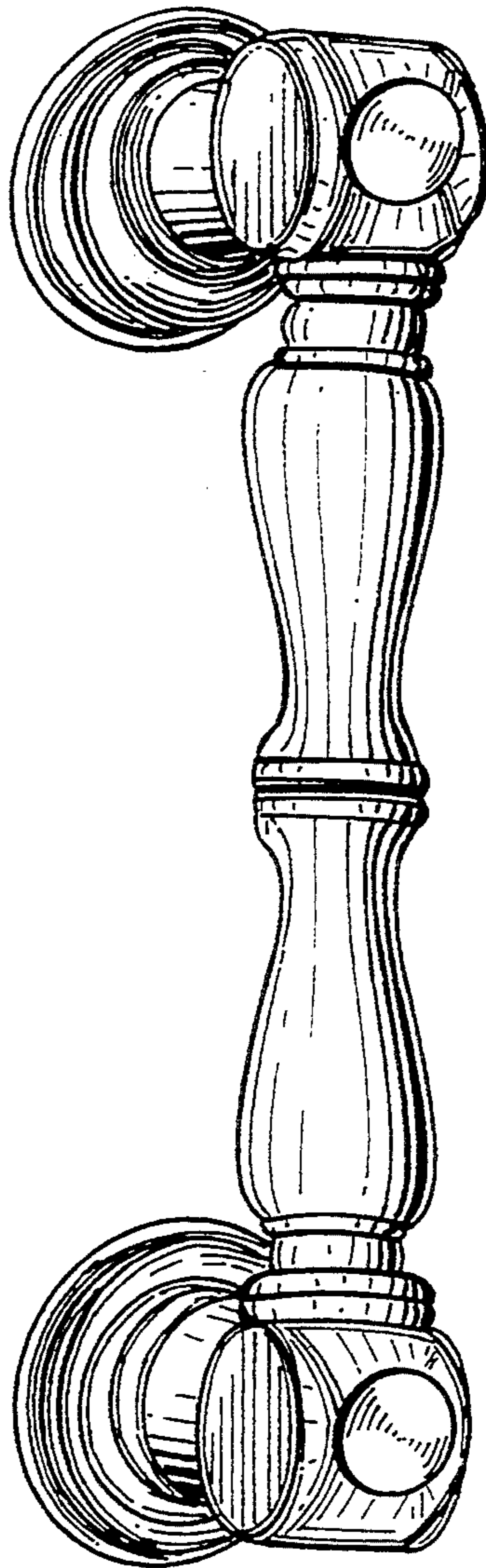
Primary Examiner—Brian N. Vinson
Attorney, Agent, or Firm—Alfred M. Walker

[57] **CLAIM**

The ornamental design for a grab bar handle, as shown and described.

DESCRIPTION

FIG. 1 is a perspective view of a grab bar handle, showing my new design;
FIG. 2 is a right side elevation view thereof, left side view being a mirror image;
FIG. 3 is a rear elevation view thereof; and,
FIG. 4 is a top plan view thereof, bottom plan view being a mirror image.



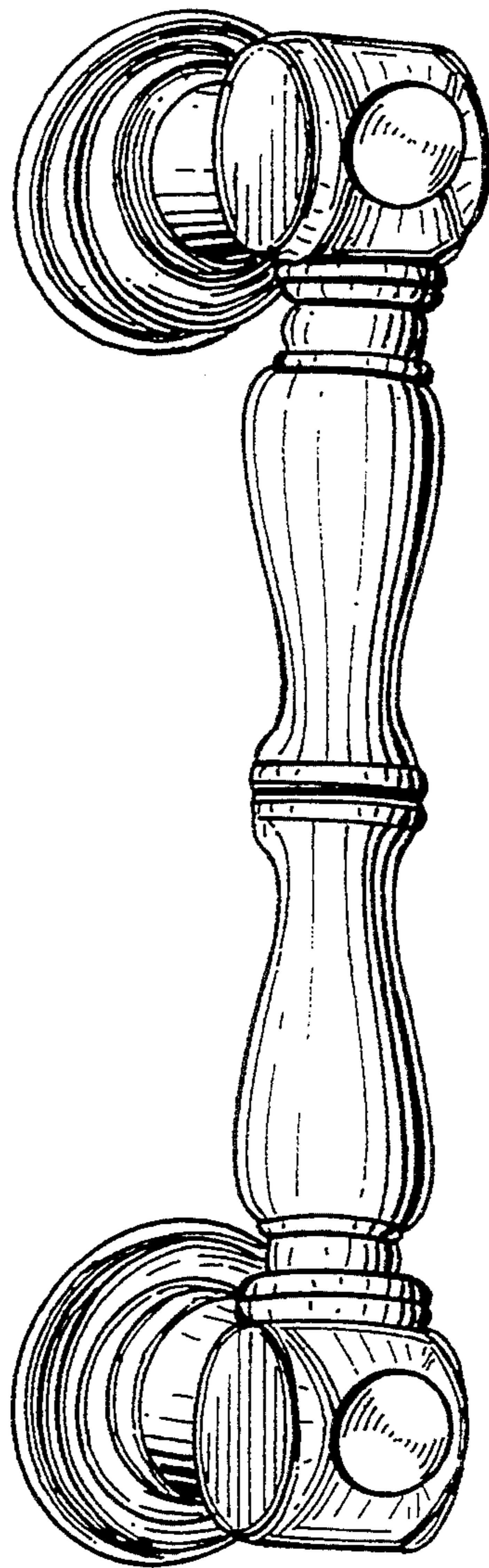


Fig. 1

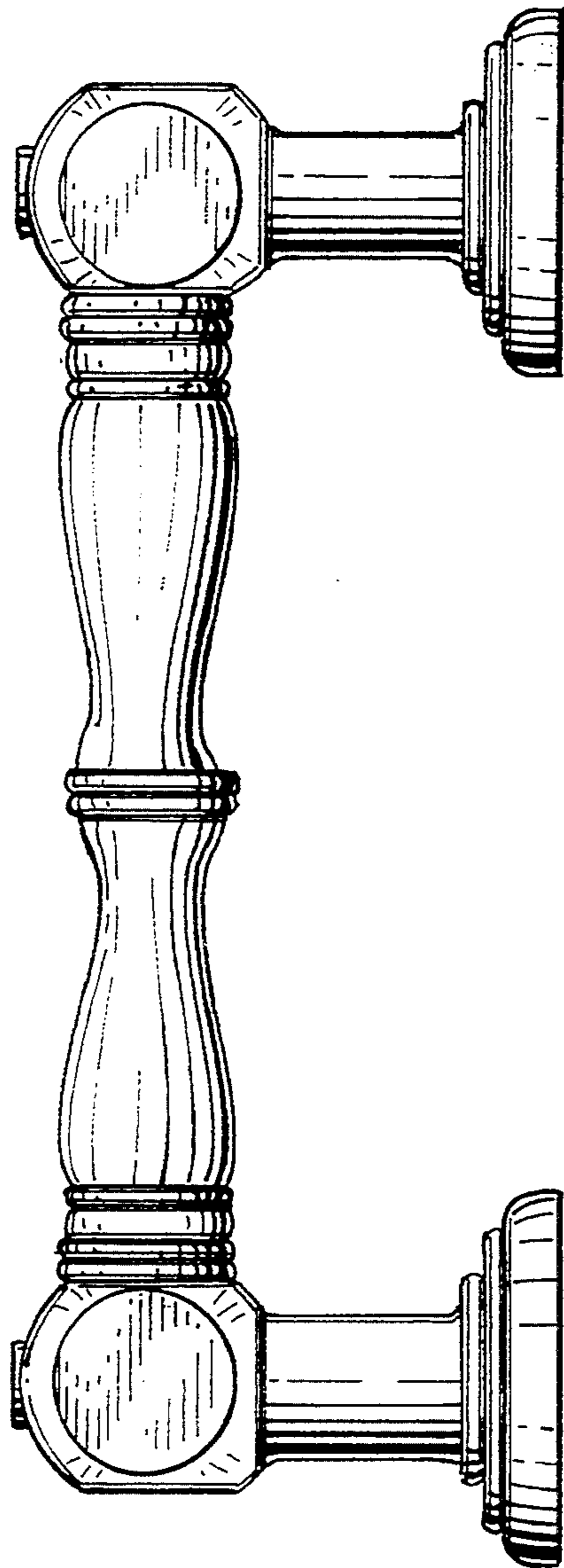


Fig. 2

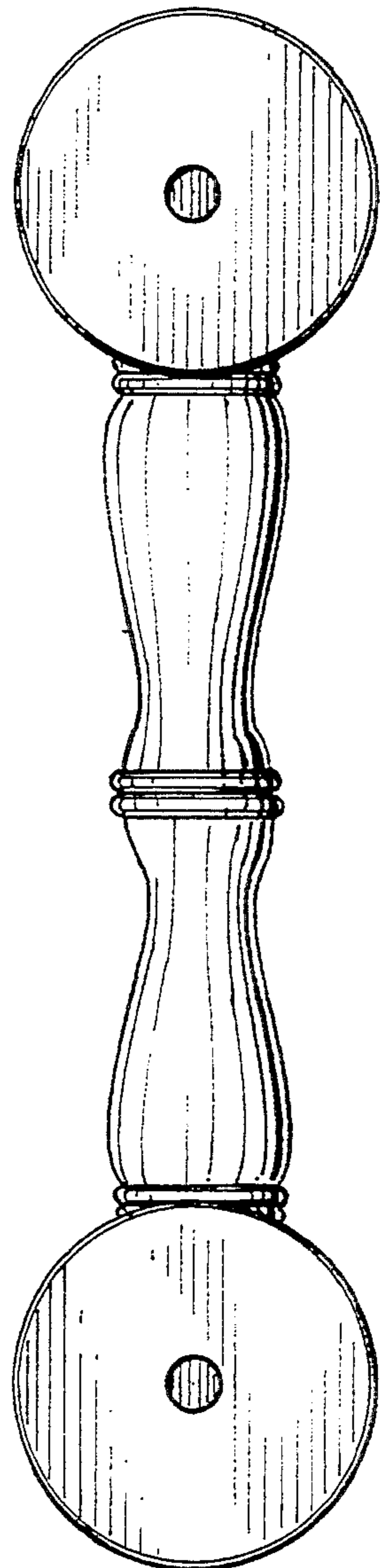


Fig. 3

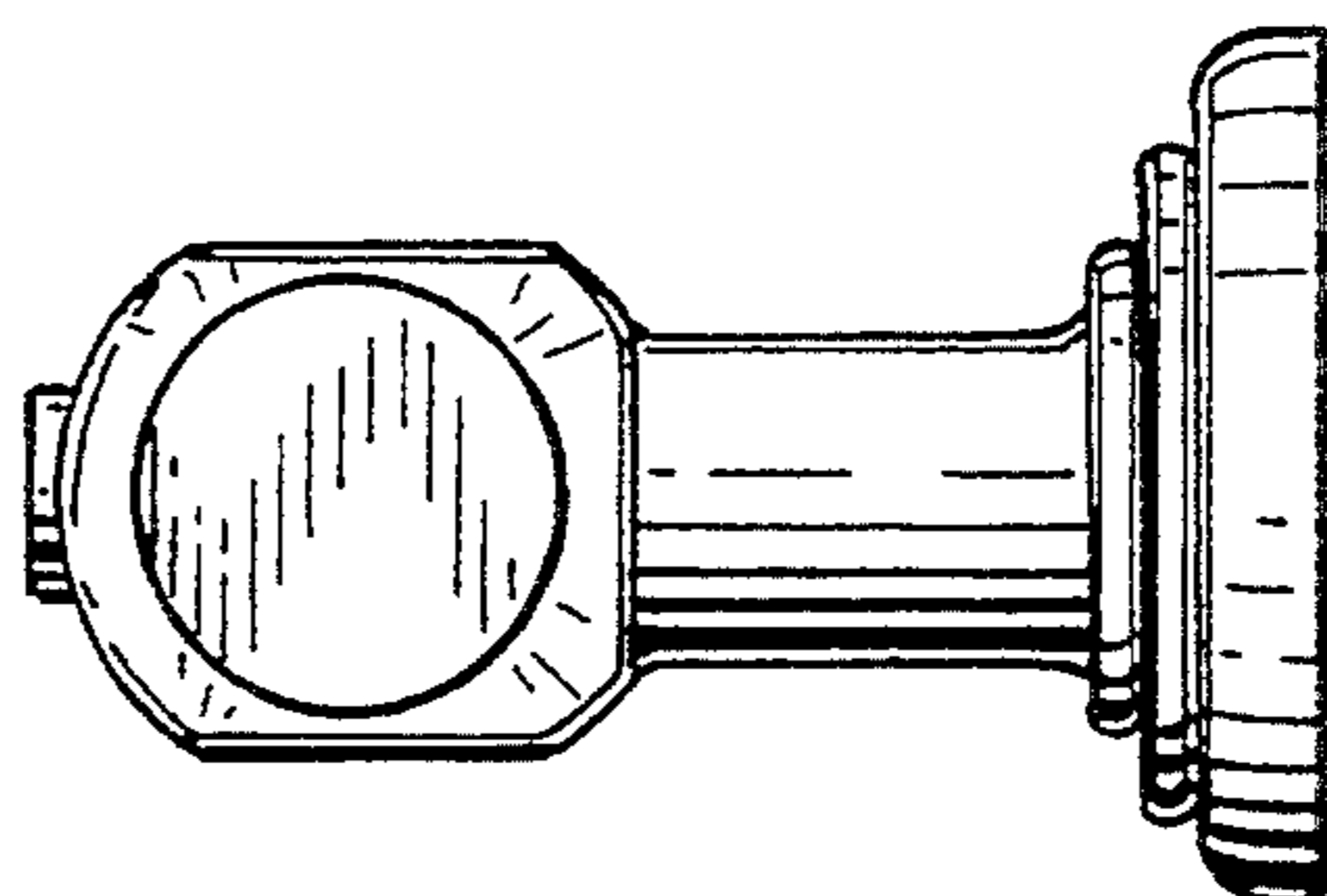


Fig. 4