



US00D361491S

United States Patent [19] Chieda

[11] Patent Number: **Des. 361,491**

[45] Date of Patent: **** Aug. 22, 1995**

[54] KNOB

[75] Inventor: **Robert Chieda, Wheaton, Ill.**

[73] Assignee: **Newell Operating Company,
Freeport, Ill.**

[**] Term: **14 Years**

[21] Appl. No.: **20,968**

[22] Filed: **Apr. 6, 1994**

[52] U.S. Cl. **D8/310**

[58] Field of Search **D8/307, 310; D23/250;
16/110 R, 121; 292/347**

[56] **References Cited**

U.S. PATENT DOCUMENTS

D. 199,180 9/1964 Clayton D8/310
D. 297,211 8/1988 Rhoades D8/310

OTHER PUBLICATIONS

J. C. DeJong Cat. 704; p. B-1; Knob 19/40.

Primary Examiner—B. J. Bullock

Attorney, Agent, or Firm—Leydig, Voit & Mayer, Ltd.

[57] **CLAIM**

The ornamental design for a knob, as shown and described.

DESCRIPTION

FIG. 1 is a perspective view of a knob showing my new design;

FIG. 2 is a front view thereof;

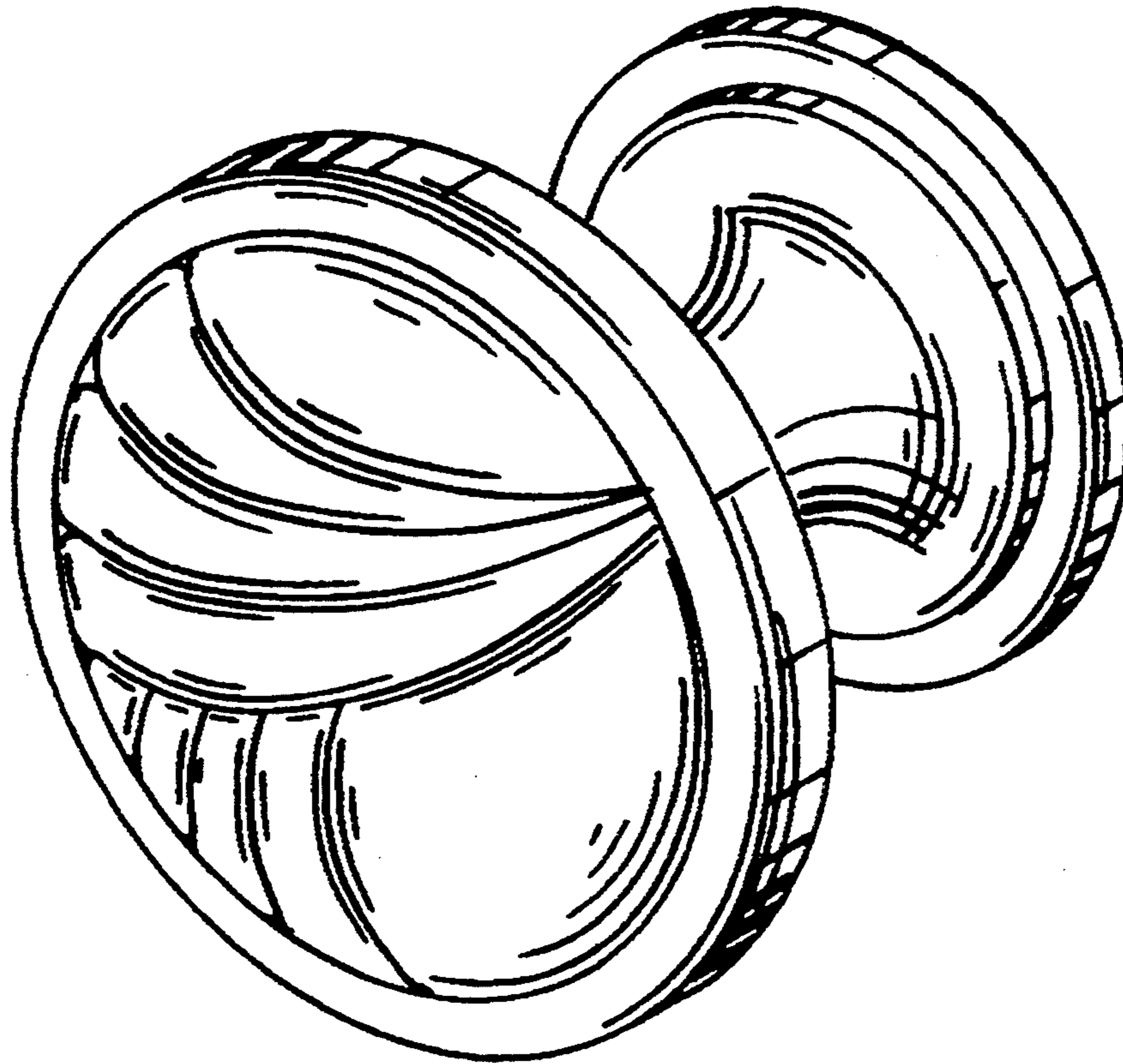
FIG. 3 is a side elevational view thereof as seen from the right of FIG. 2;

FIG. 4 is a bottom plan view thereof;

FIG. 5 is a rear view thereof;

FIG. 6 is a top plan view thereof; and,

FIG. 7 is a side elevational view thereof as seen from the left of FIG. 2.



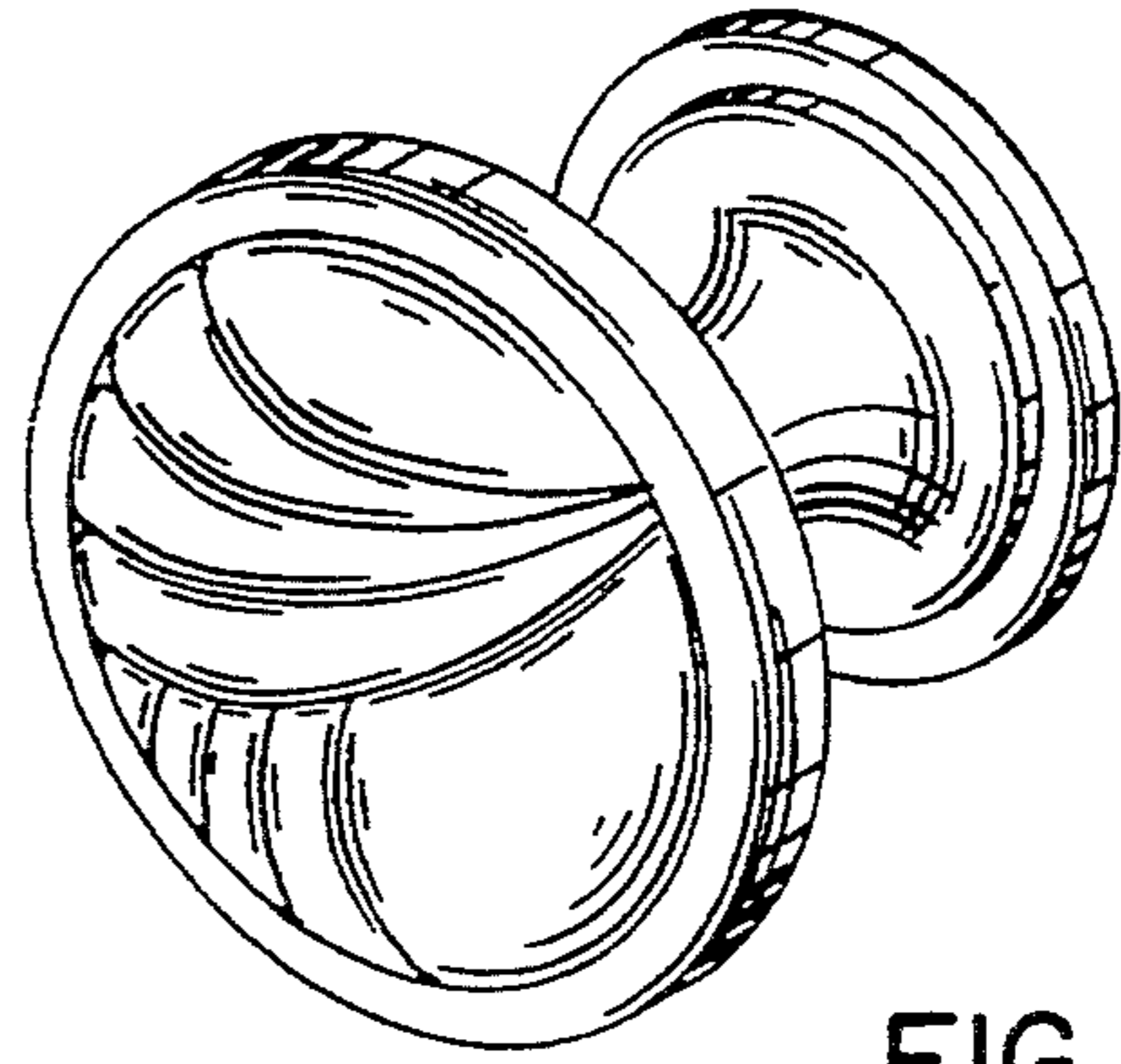


FIG. 1

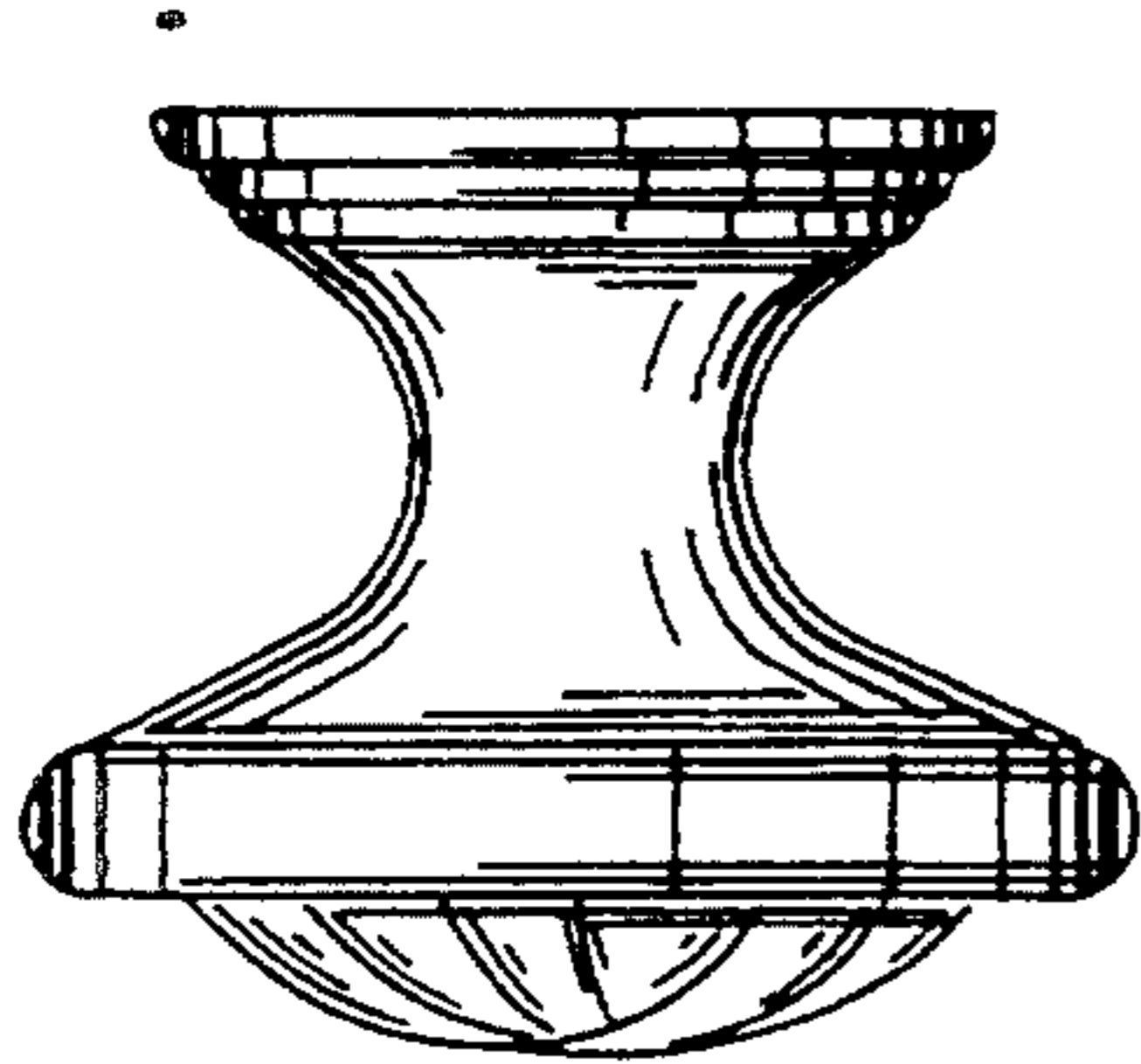


FIG. 6

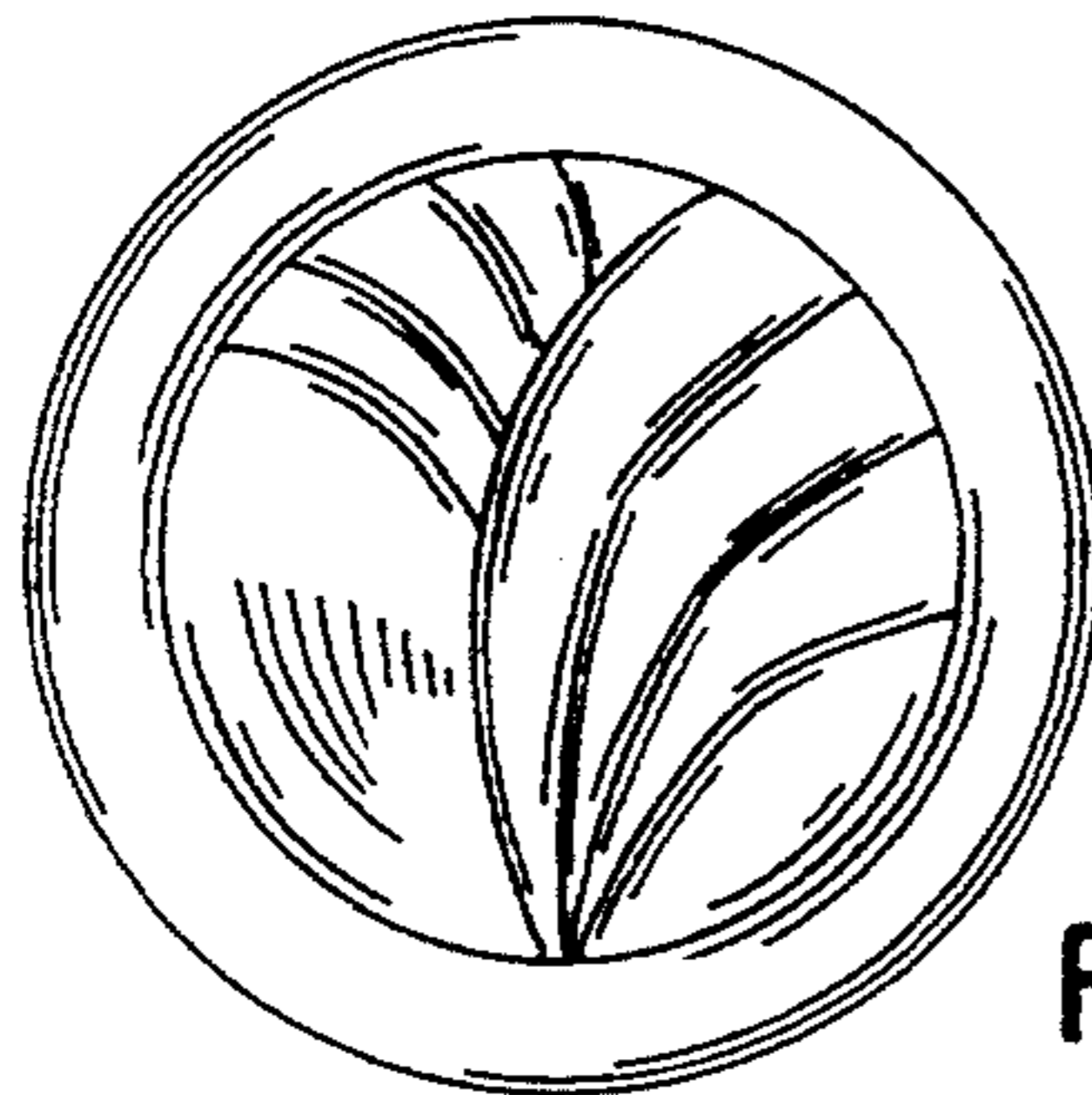


FIG. 2

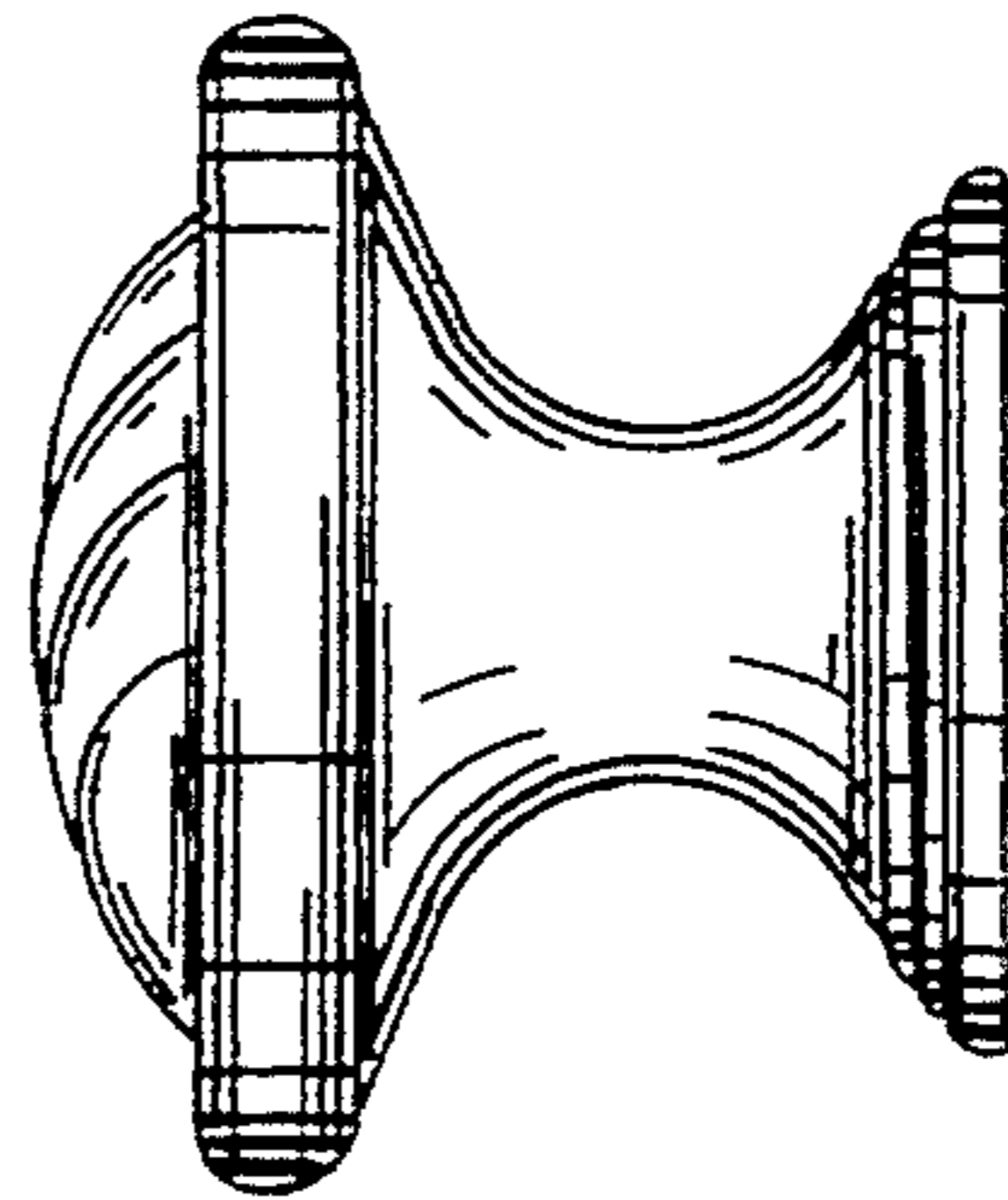


FIG. 3

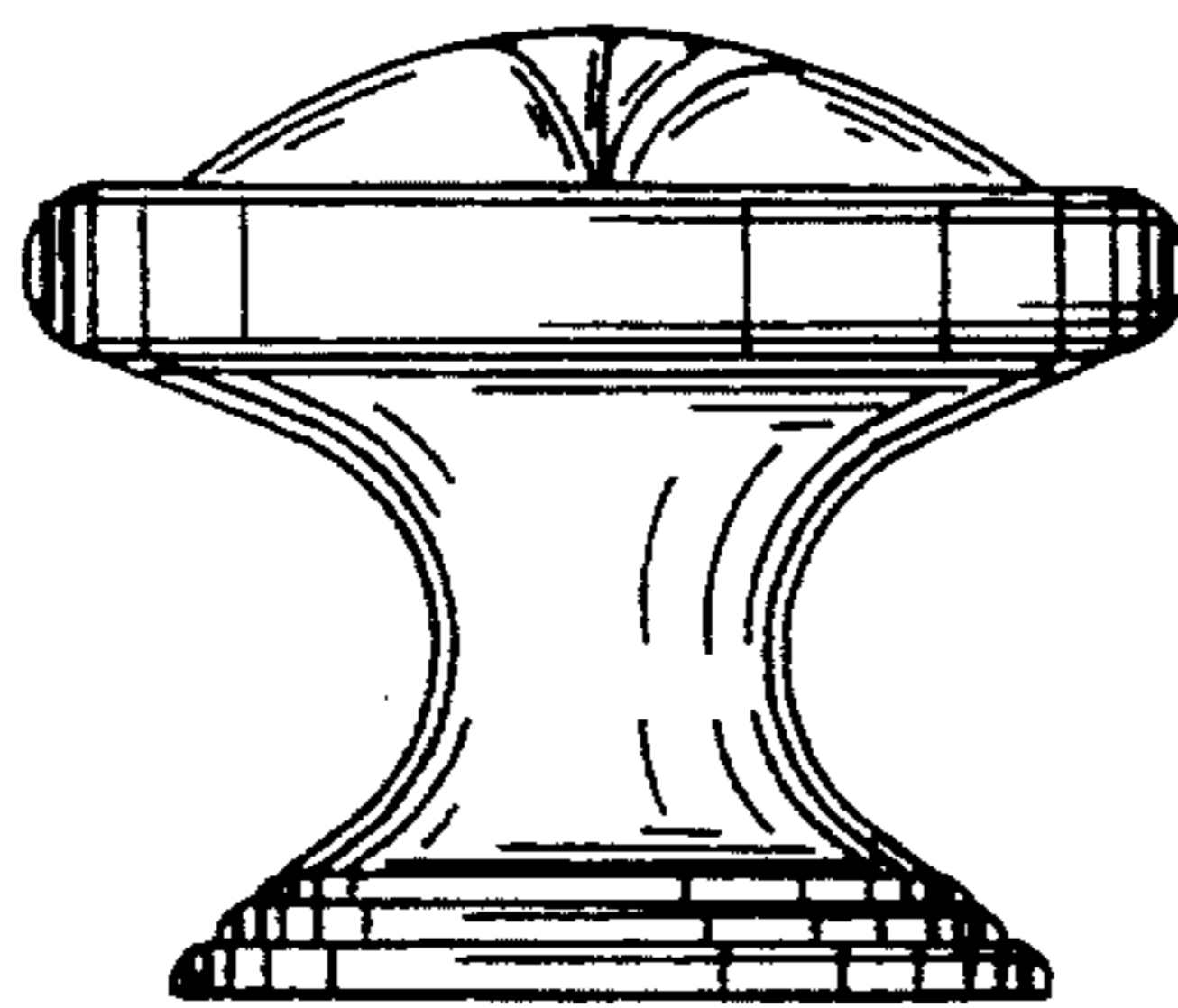


FIG. 4

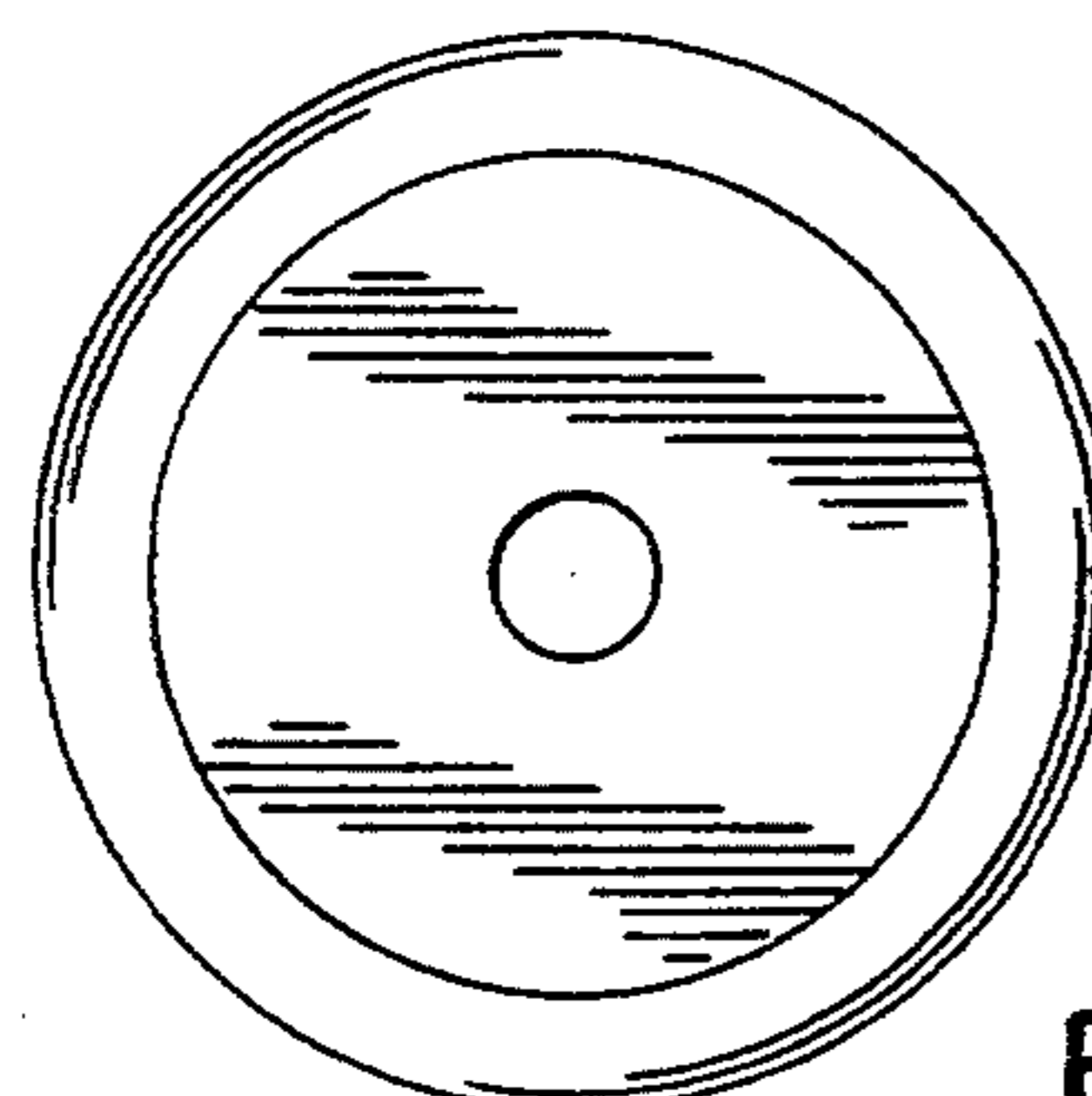


FIG. 5

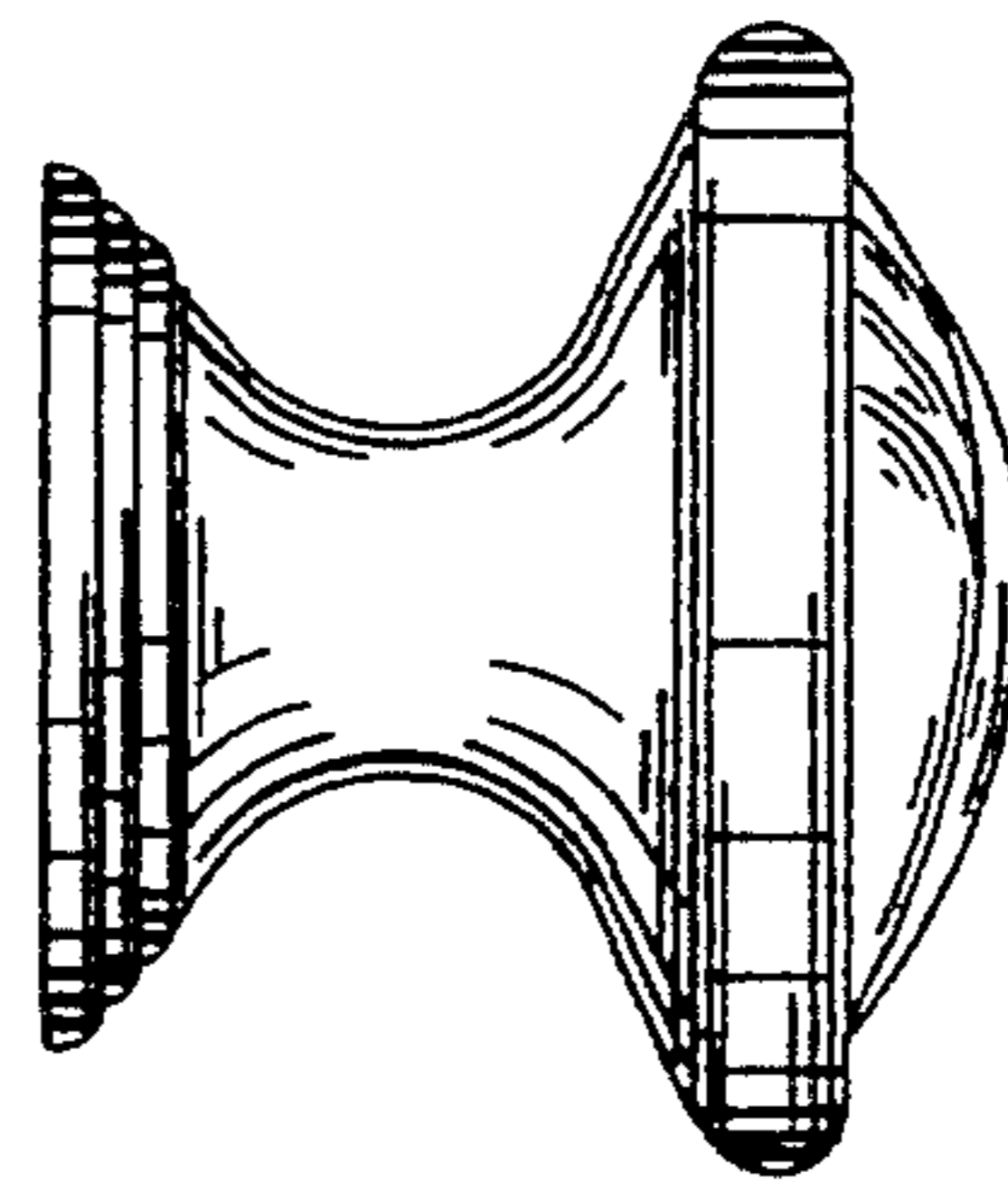


FIG. 7