



US00D361487S

United States Patent [19]

[11] Patent Number: **Des. 361,487**

Sandow et al.

[45]. Date of Patent: **** Aug. 22, 1995**

[54] **SANDING ATTACHMENT FOR A SHOP VAC**

4,697,389 10/1987 Romine 451/354

[76] Inventors: **Kimberly Sandow; Louis Sandow,**
both of 201 Blough Ct., Fairless
Hills, Pa. 19030

4,779,385 10/1988 Reiter 451/354

4,937,984 7/1990 Taranto 451/354

5,036,627 8/1991 Walters 451/354

[**] Term: **14 Years**

Primary Examiner—Alan P. Douglas

Assistant Examiner—Jeffrey H. Musgrove

Attorney, Agent, or Firm—Terry M. Gernstein

[21] Appl. No.: **26,140**

[57] **CLAIM**

[22] Filed: **Jul. 20, 1994**

The ornamental design for a sanding attachment for a shop vac, as shown and described.

[52] U.S. Cl. **D8/70; D8/62**

[58] Field of Search D8/70, 62; D32/32, 21,
D32/22, 23, 24; 15/415.1; 451/354, 344, 523,
524

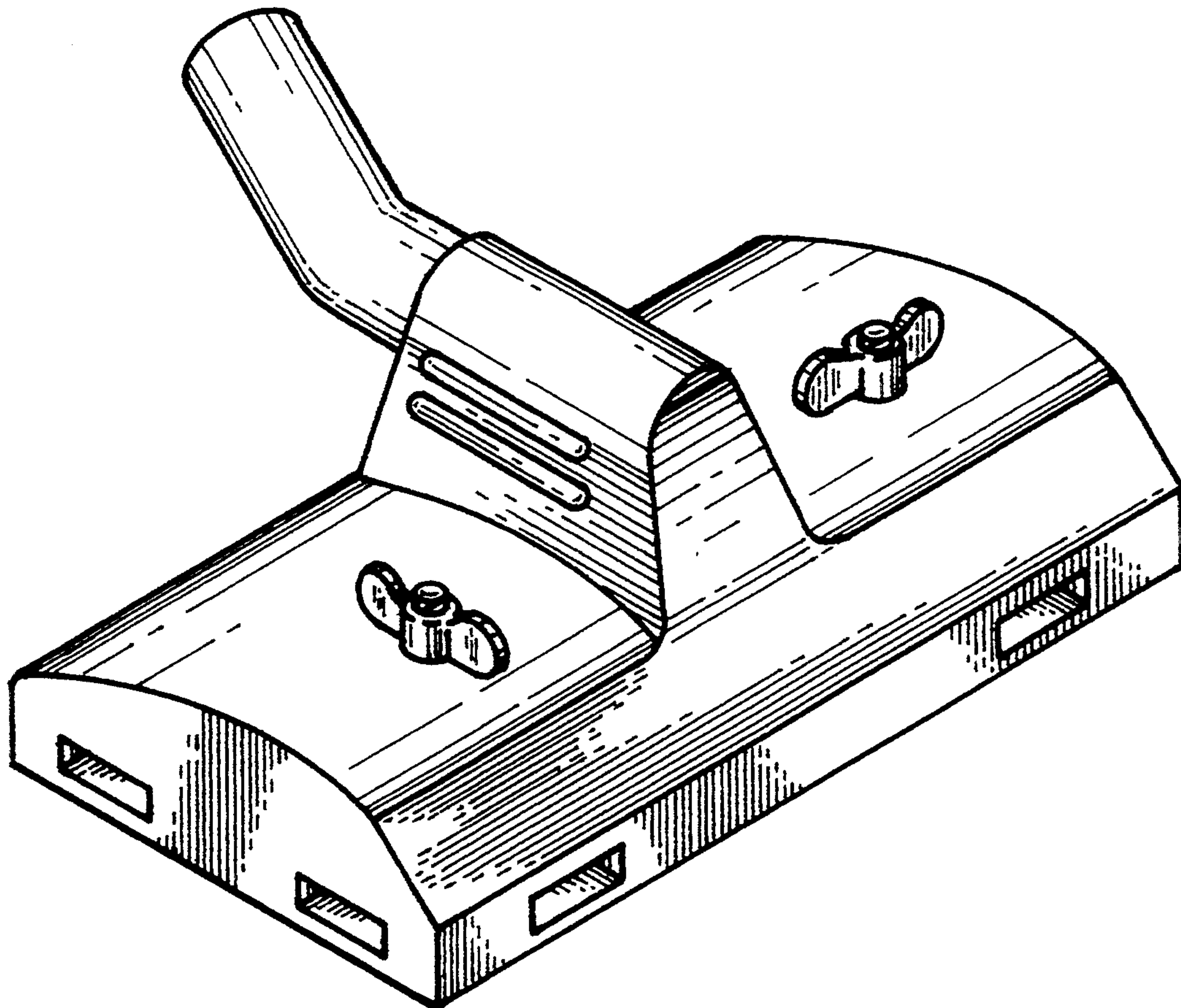
DESCRIPTION

[56] **References Cited**

U.S. PATENT DOCUMENTS

- D. 340,629 10/1993 Sanchez et al. D8/62
- D. 353,313 12/1994 Stiles d8/62
- 4,245,437 1/1981 Marton .
- 4,368,598 1/1983 Kuhlmann .

FIG. 1 is a perspective view of a sanding attachment for a shop vac showing my new design; FIG. 2 is a front elevational view thereof; FIG. 3 is a rear elevational view thereof; FIG. 4 is a side elevational view thereof; FIG. 5 is a side elevational view thereof; FIG. 6 is a top plan view thereof; and, FIG. 7 is a bottom plan view thereof.



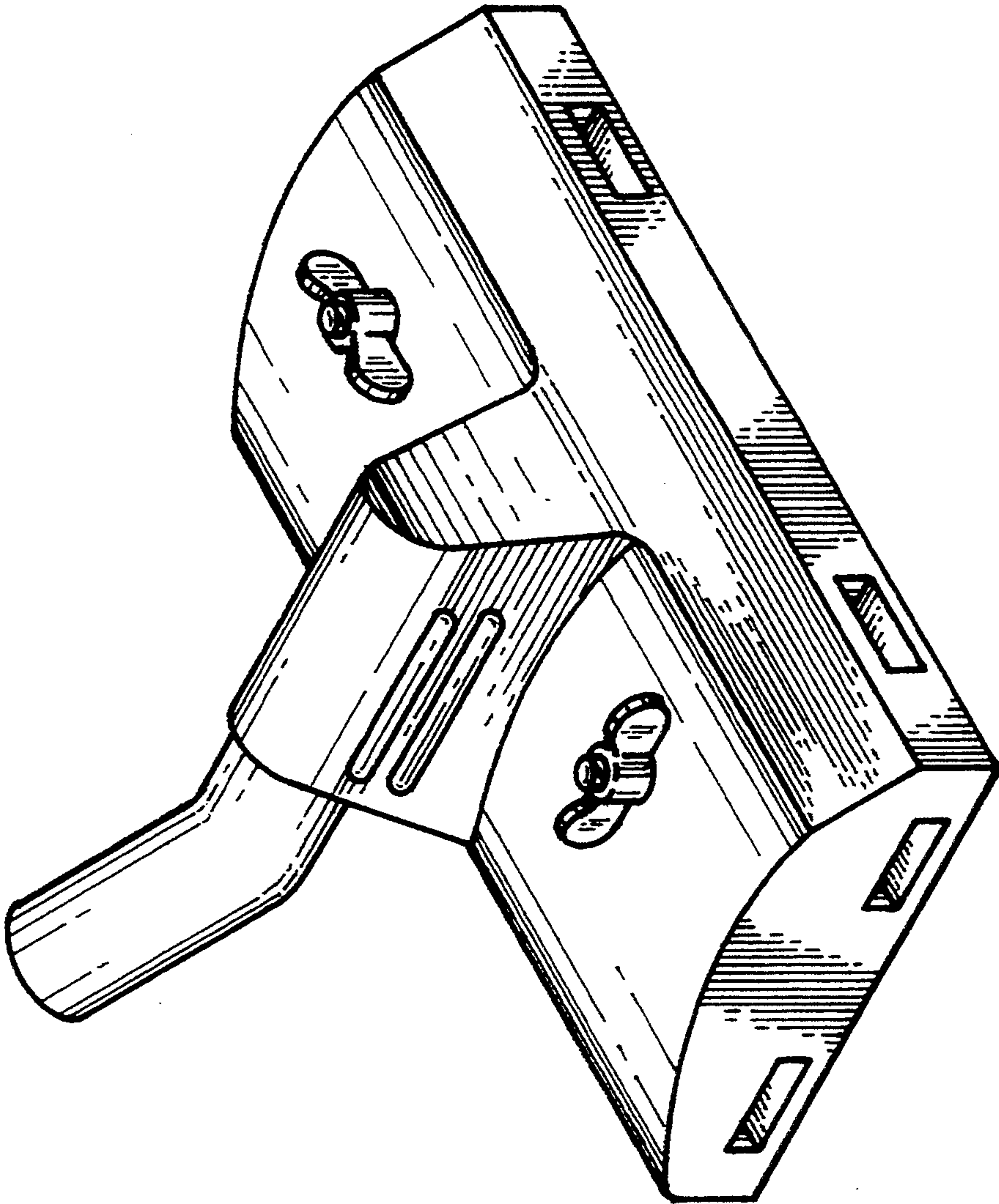


FIG.1

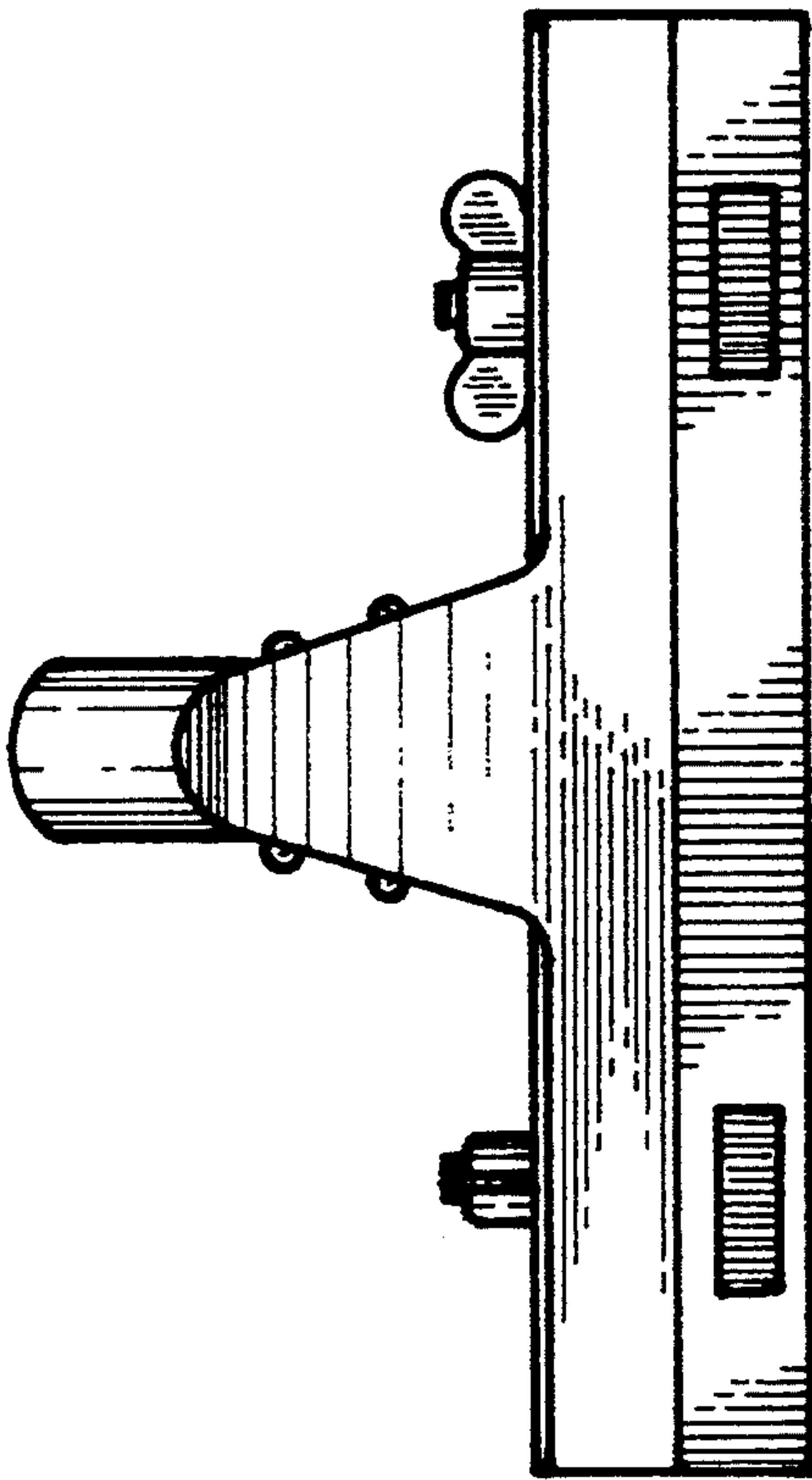


FIG. 2

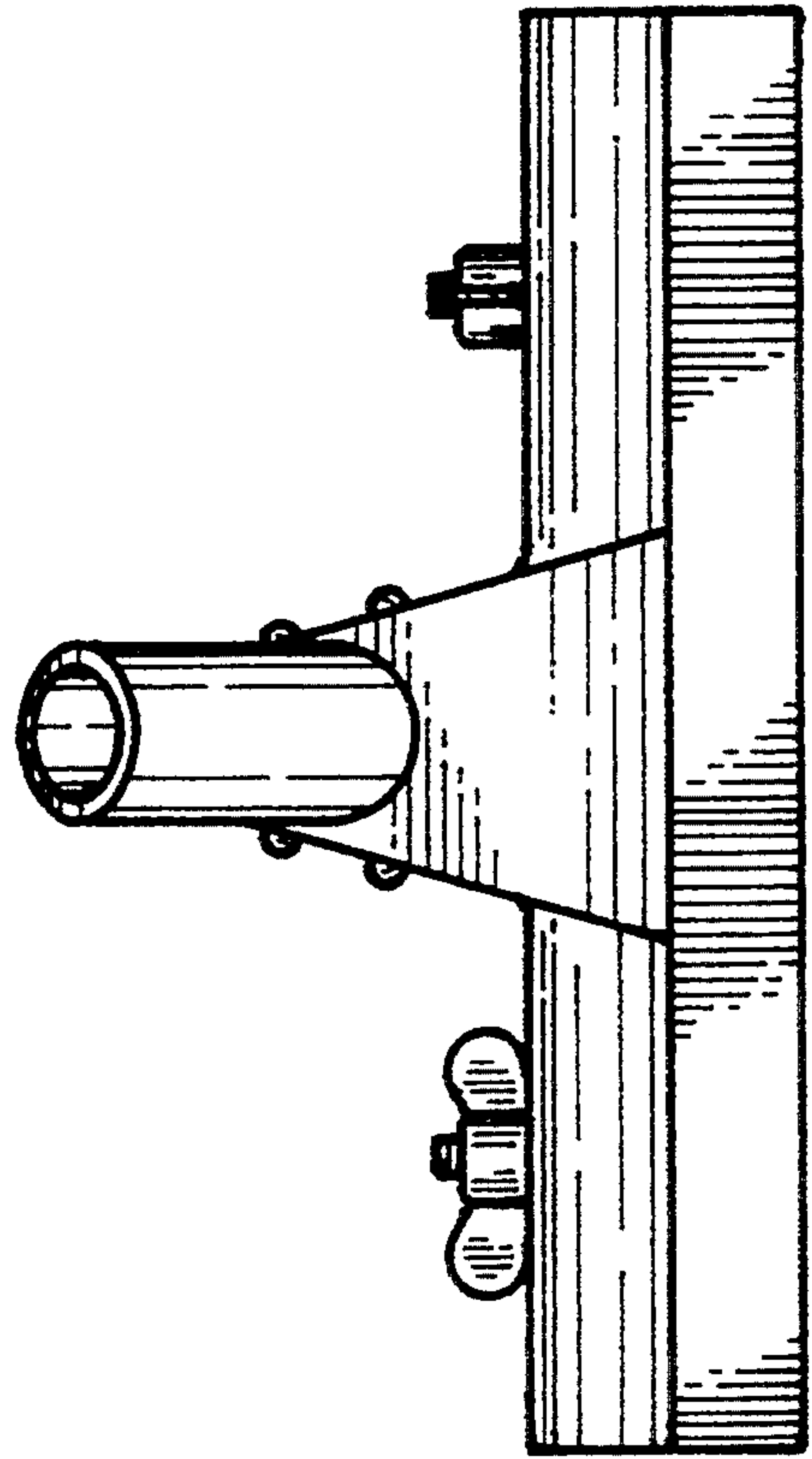


FIG. 3

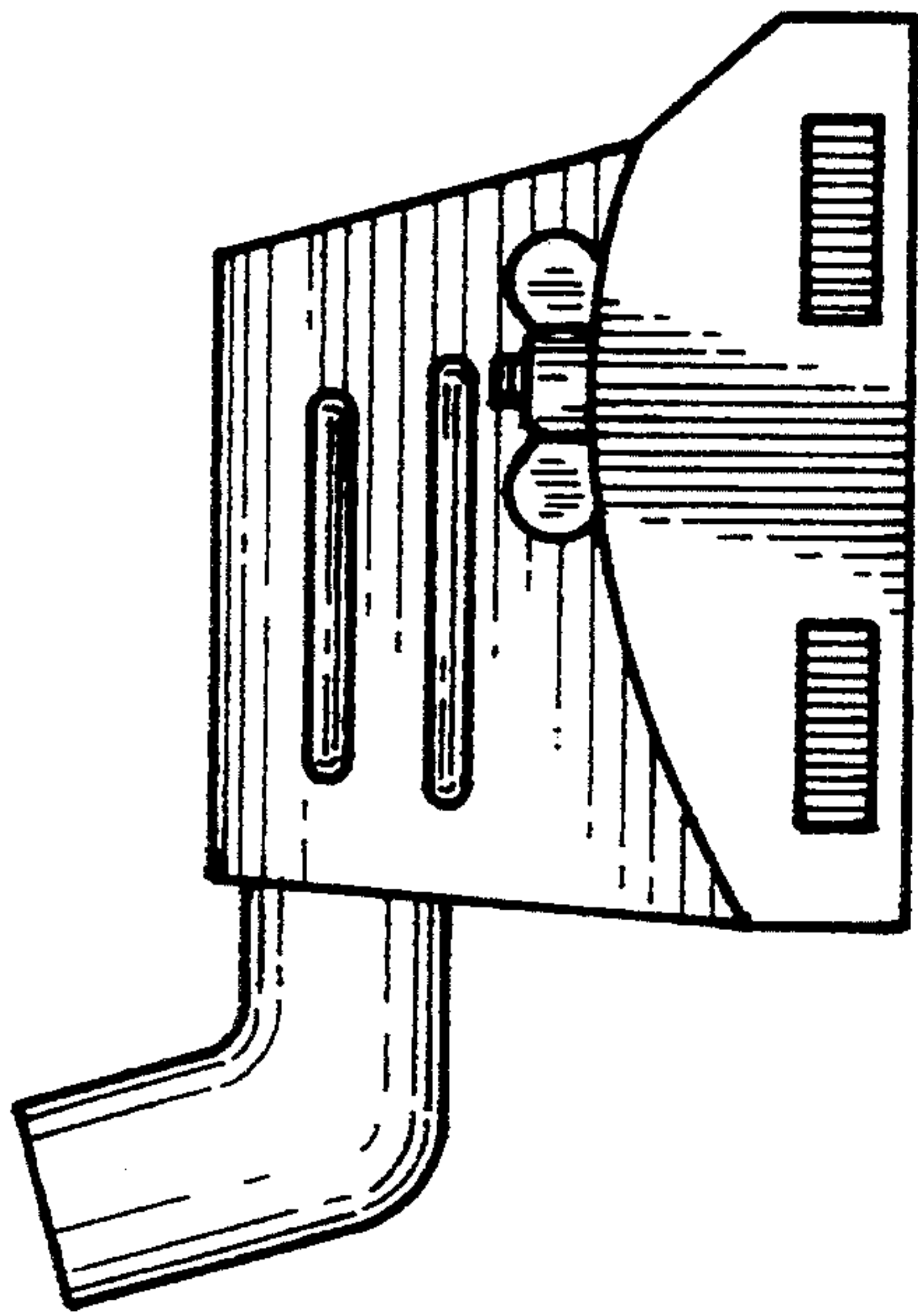


FIG. 4

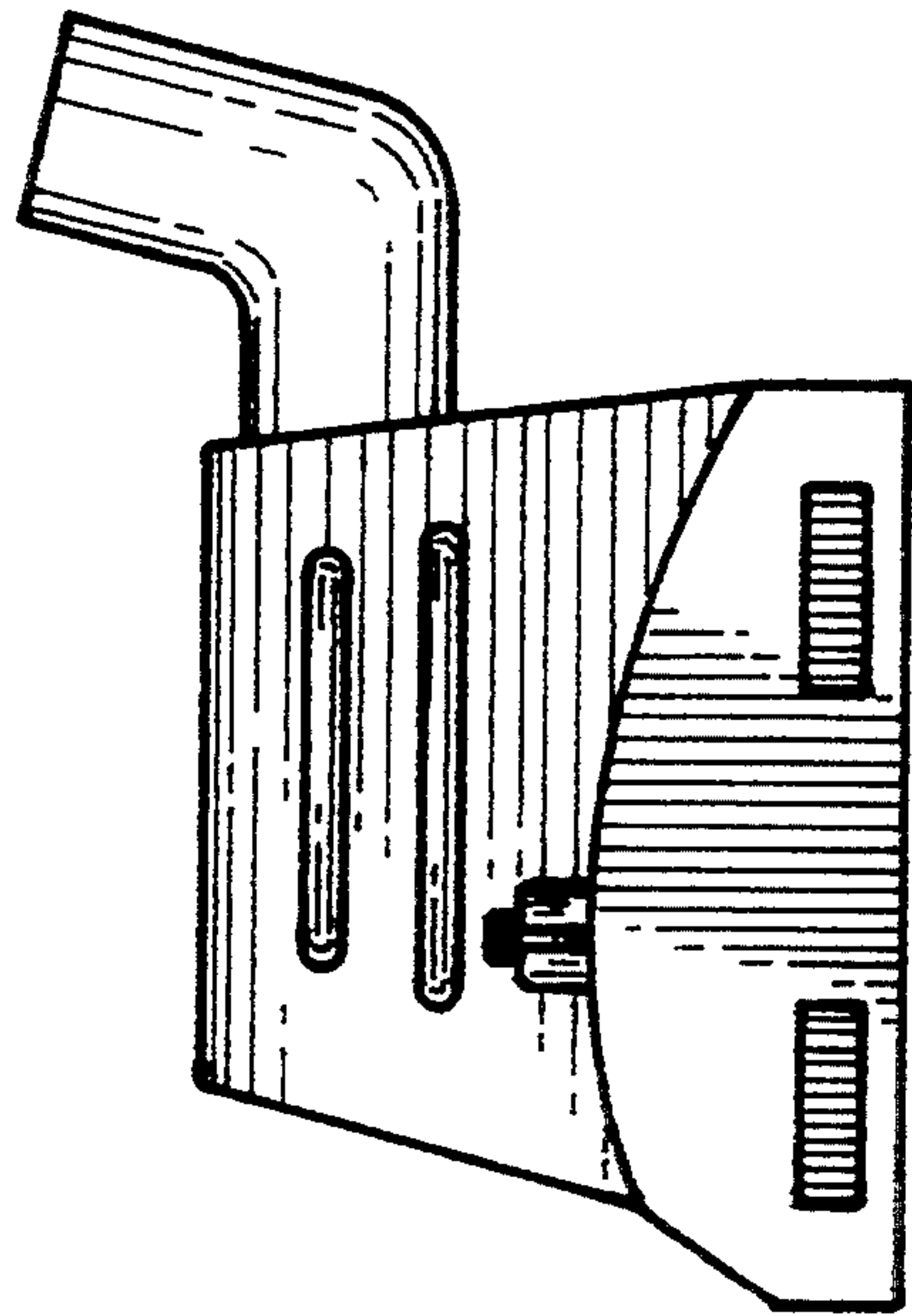


FIG. 5

FIG. 6

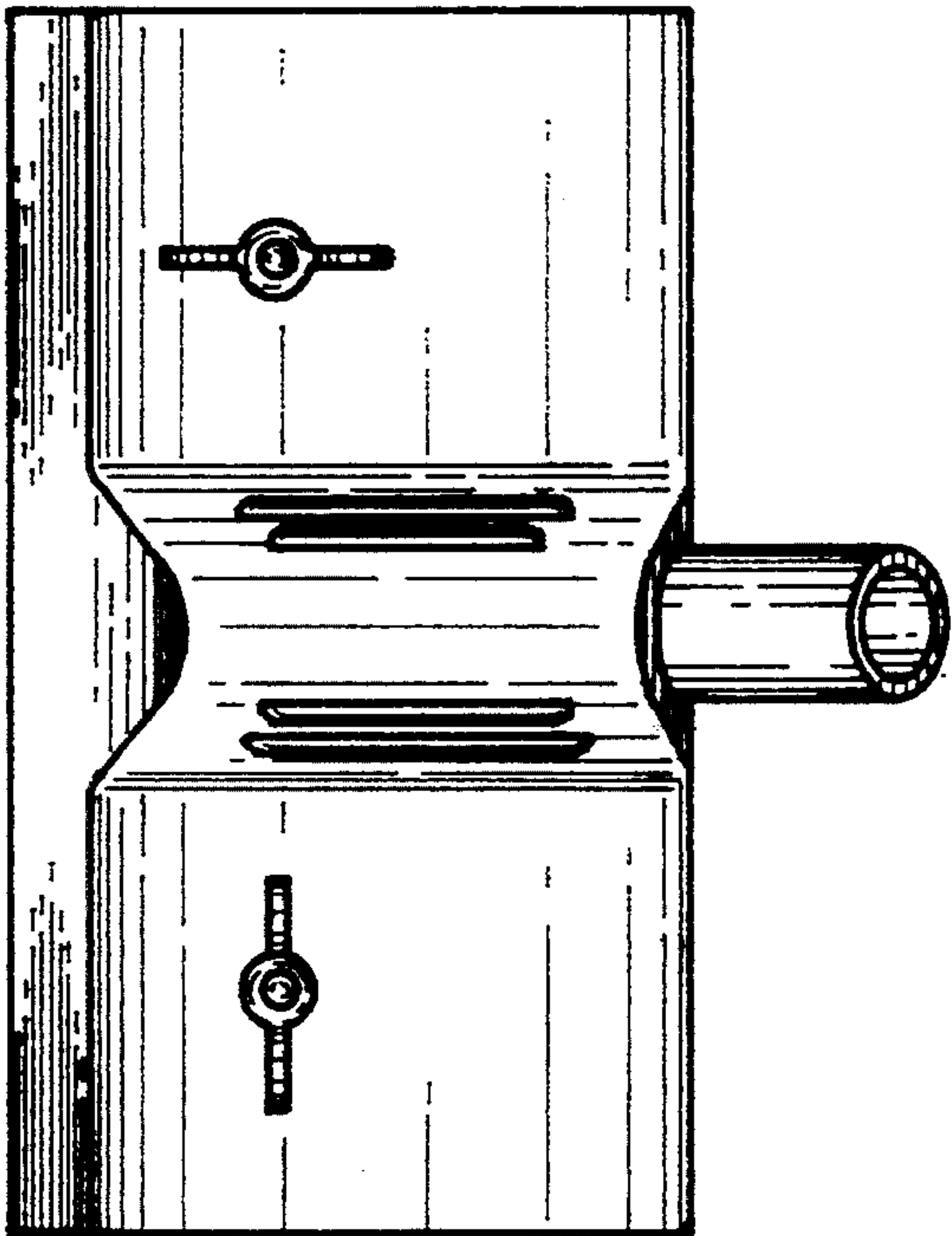


FIG. 7

