



US00D361486S

United States Patent [19]

[11] Patent Number: **Des. 361,486**

Yang

[45] Date of Patent: **** Aug. 22, 1995**

[54] STAPLER

[76] Inventor: **Gee I. Yang**, 5Fl., No. 412-12, 2 Sec.,
Chung Shan Rd., Tai Ping,
Taichung, Taiwan

[**] Term: **14 Years**

[21] Appl. No.: **26,641**

[22] Filed: **Aug. 1, 1994**

[52] U.S. Cl. **D8/50; D8/49;**
D19/72

[58] Field of Search D8/49, 50, 51; D19/65,
D19/72, 95, 99, 100; 227/107, 110, 120,
126-128, 132

[56] **References Cited**

U.S. PATENT DOCUMENTS

- D. 121,339 7/1940 Noll D8/49
- D. 213,651 3/1969 Crotti D8/49
- D. 214,347 6/1969 Power et al. D8/50

- D. 264,925 6/1982 Bass et al. D8/50
- D. 305,605 1/1990 Ebihara D8/50
- D. 319,563 9/1991 Rosenblad D8/50

OTHER PUBLICATIONS

Office Products Catalog ©1978, p. 103, see circled
stapler, right center.

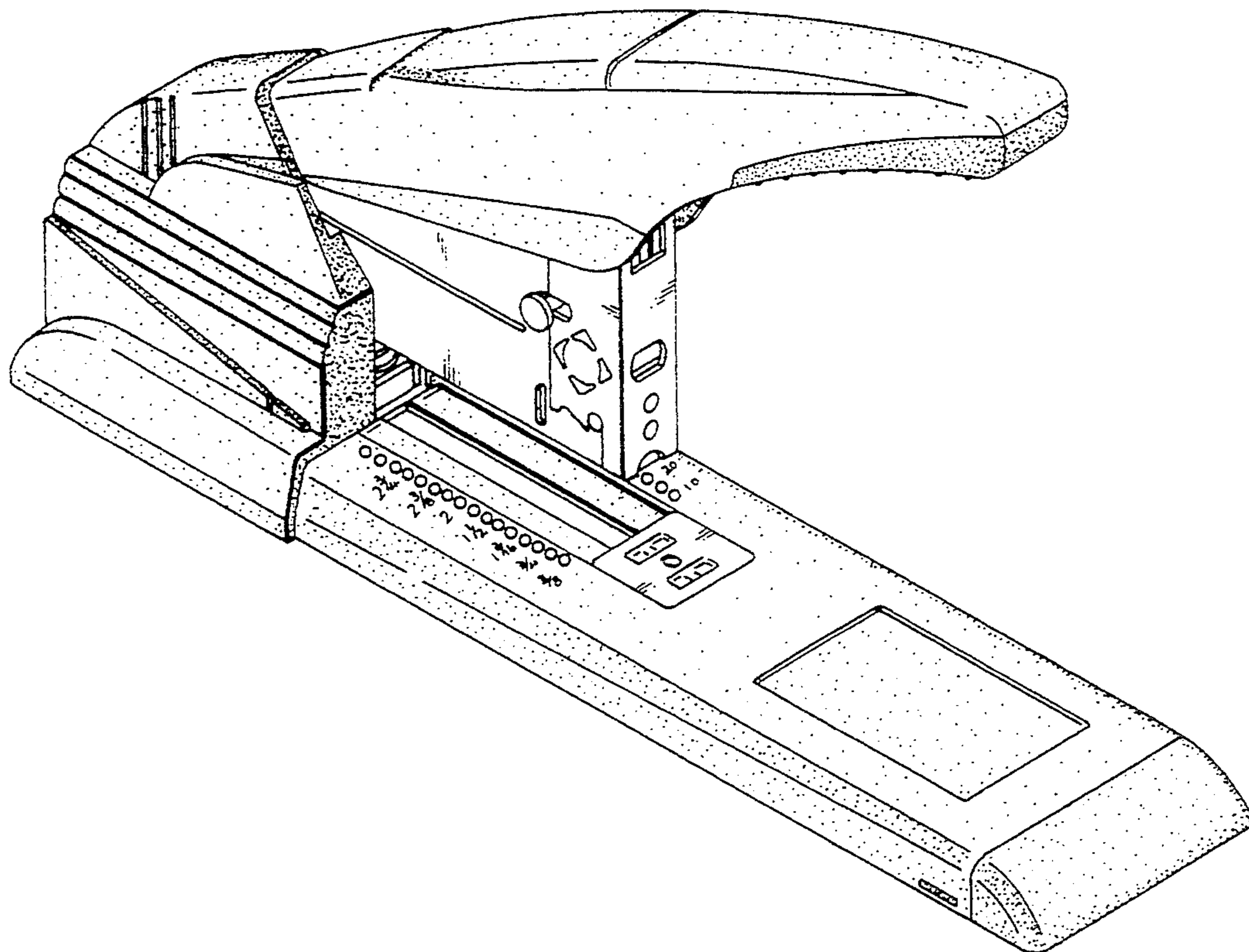
Primary Examiner—Martie Thompson

[57] **CLAIM**

The ornamental design for a stapler, as shown.

DESCRIPTION

FIG. 1 is a front perspective view of a stapler showing my new design;
 FIG. 2 is a left side elevational view;
 FIG. 3 is a right side elevational view;
 FIG. 4 is a rear elevational view;
 FIG. 5 is a front elevational view;
 FIG. 6 is a top plan view; and,
 FIG. 7 is a bottom plan view thereof.



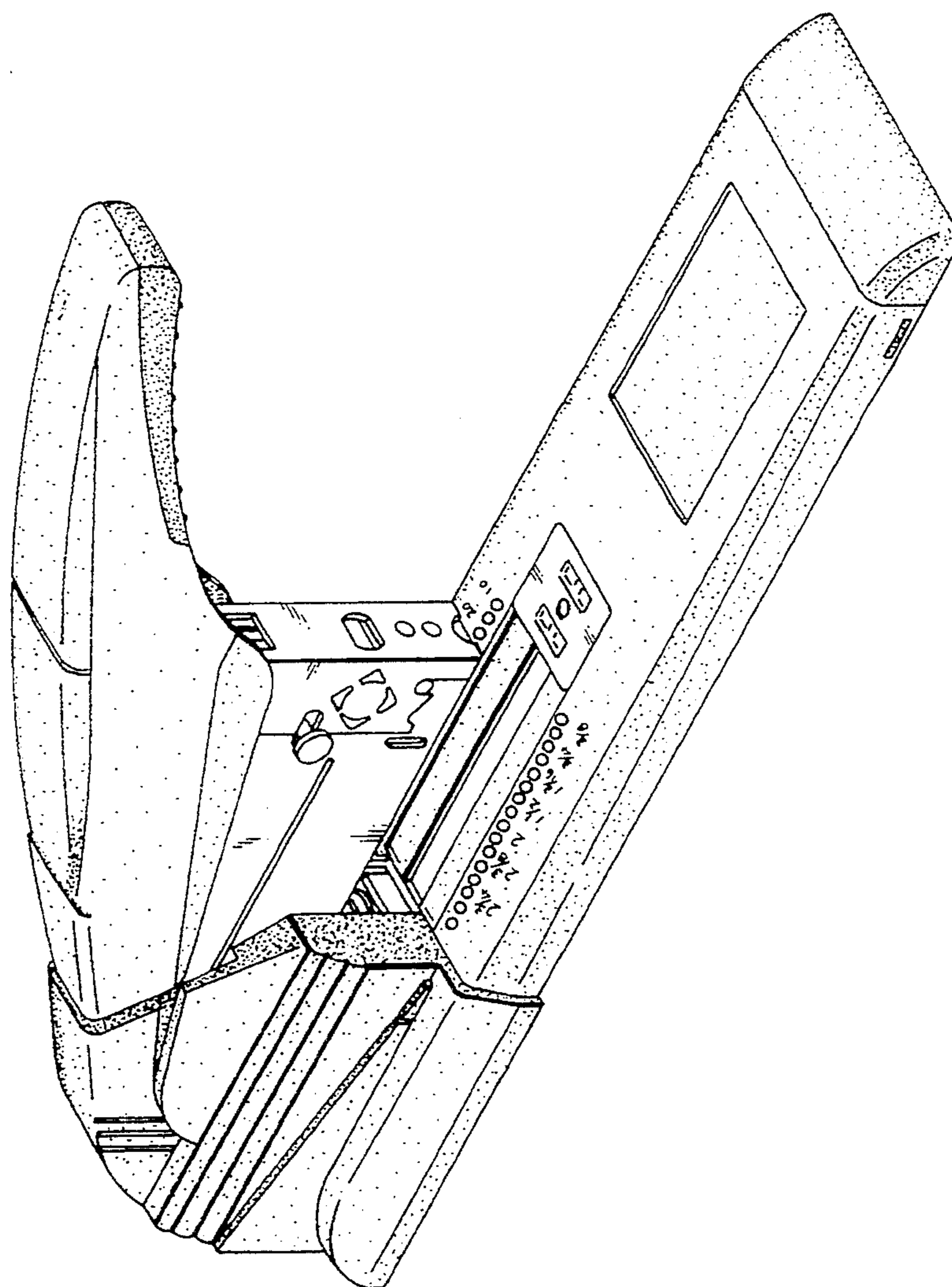


FIG. 1

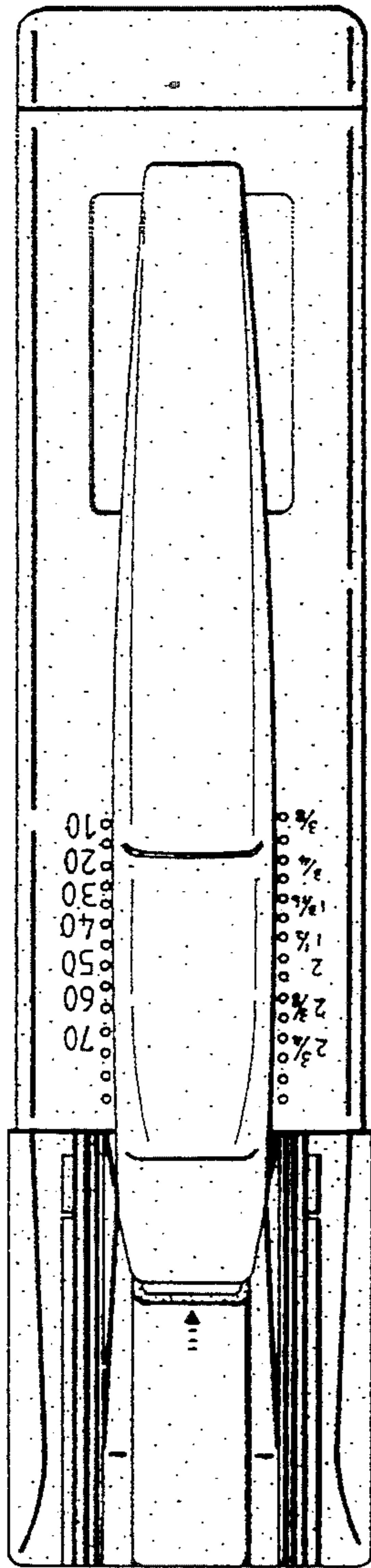


FIG. 6

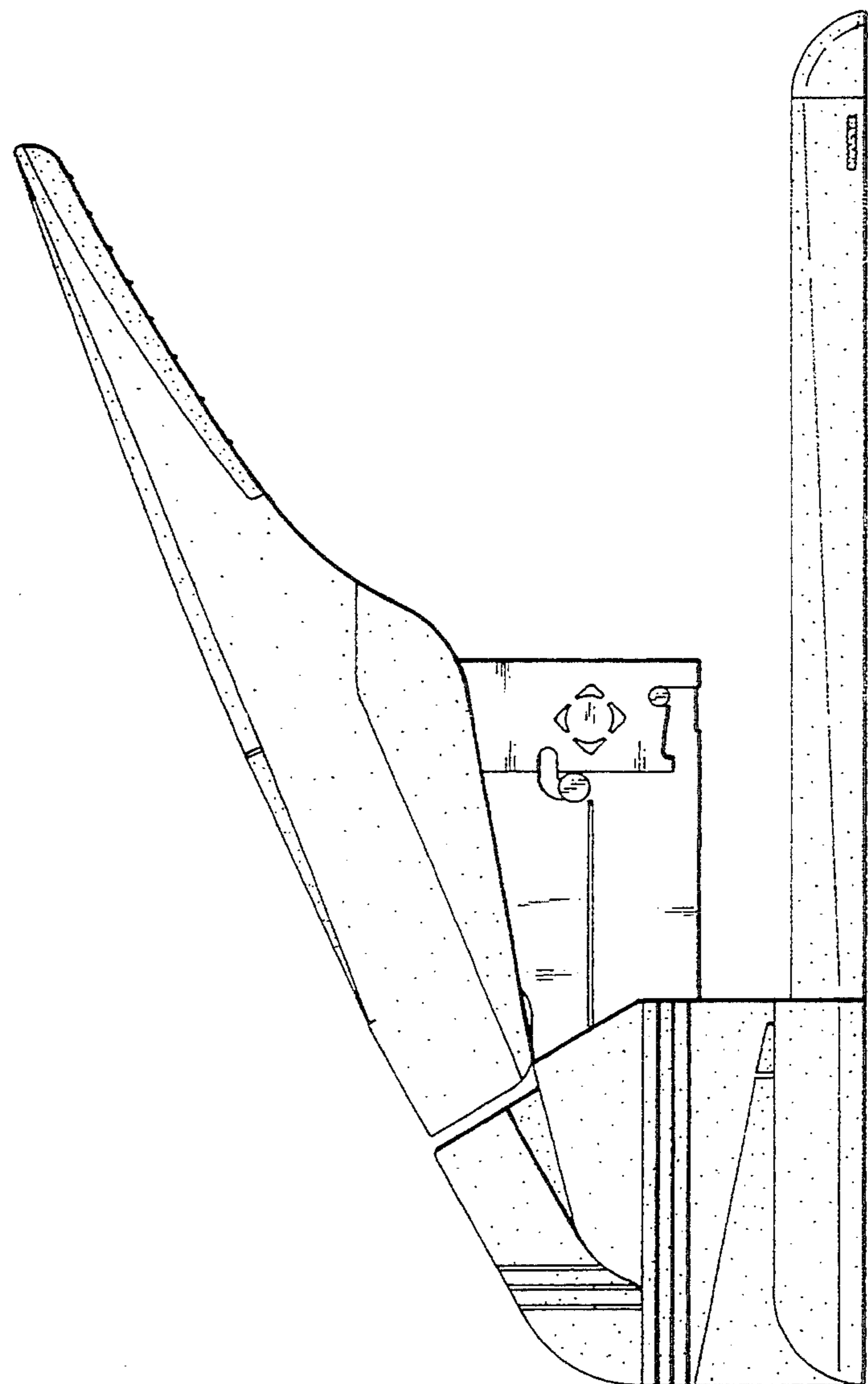


FIG. 2

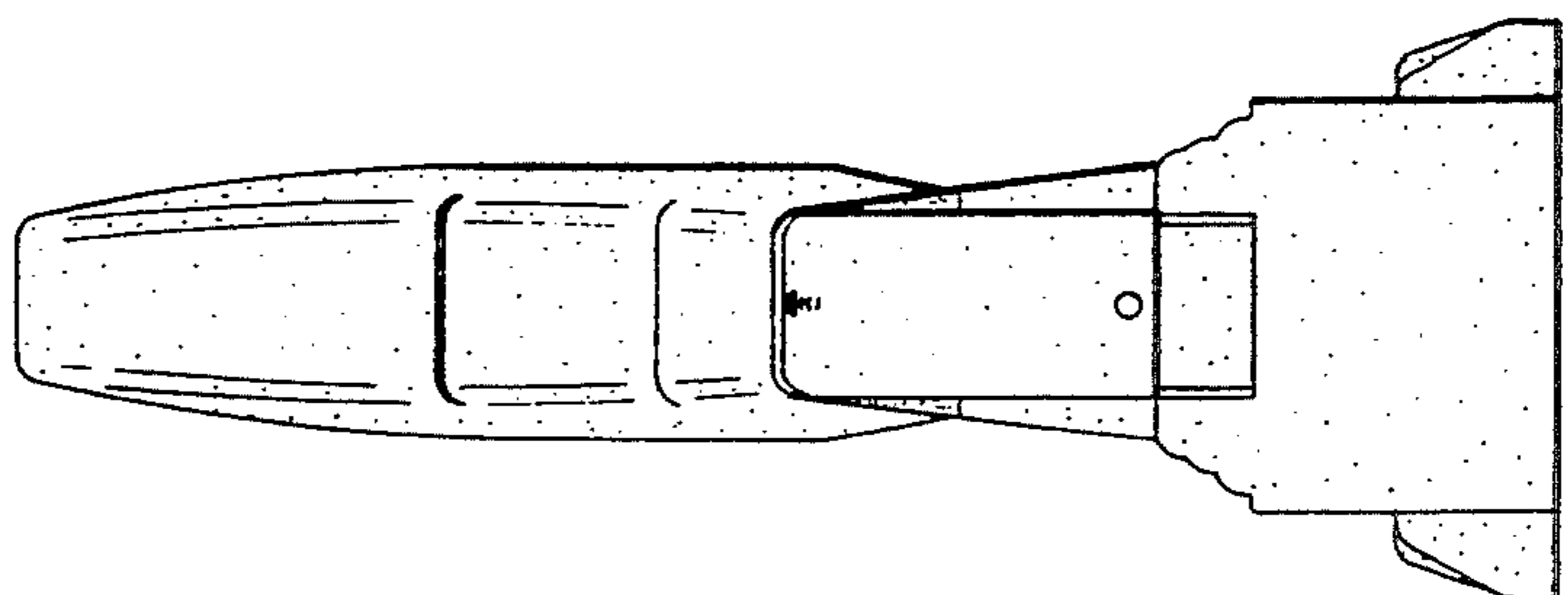


FIG. 4

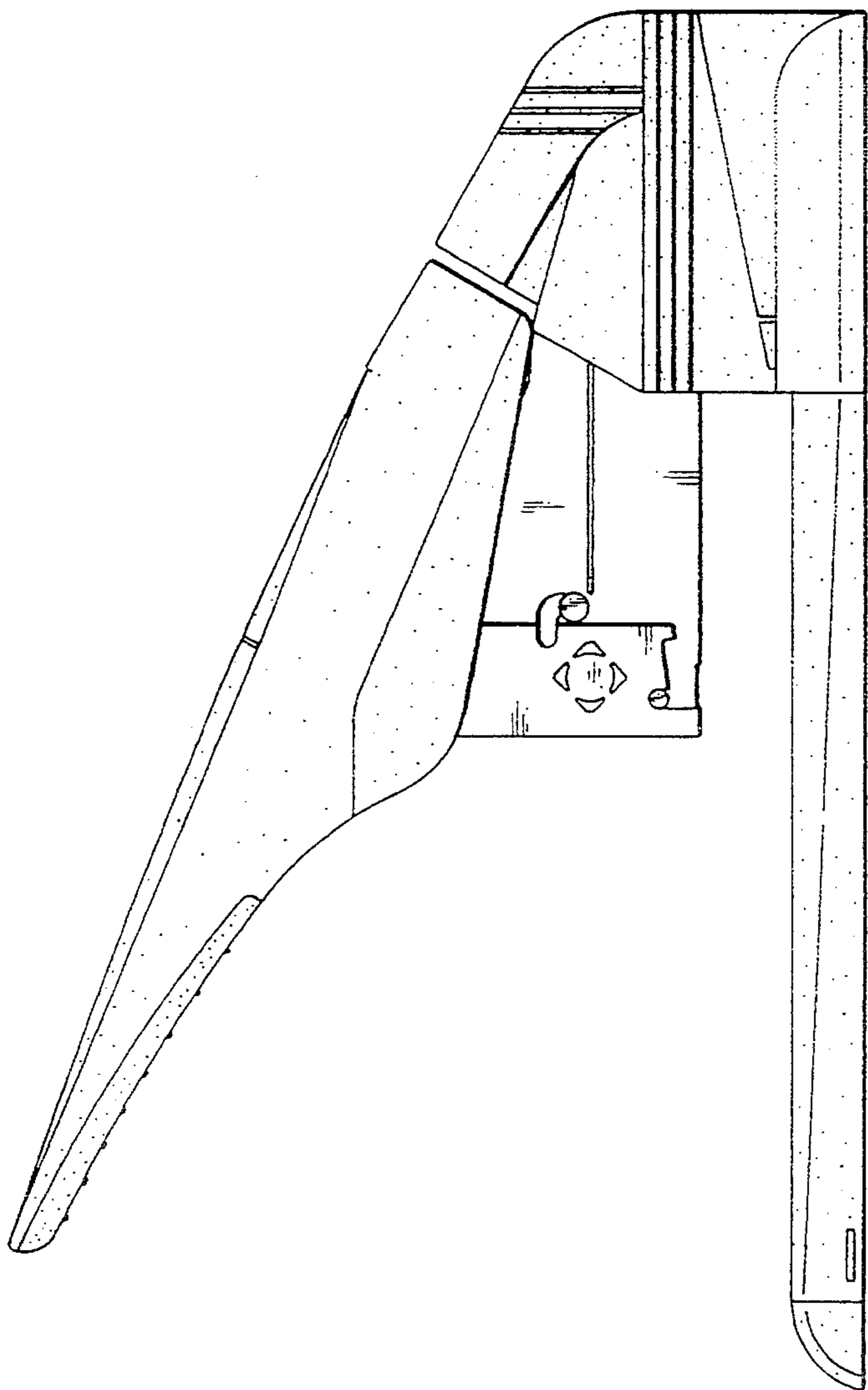


FIG. 3

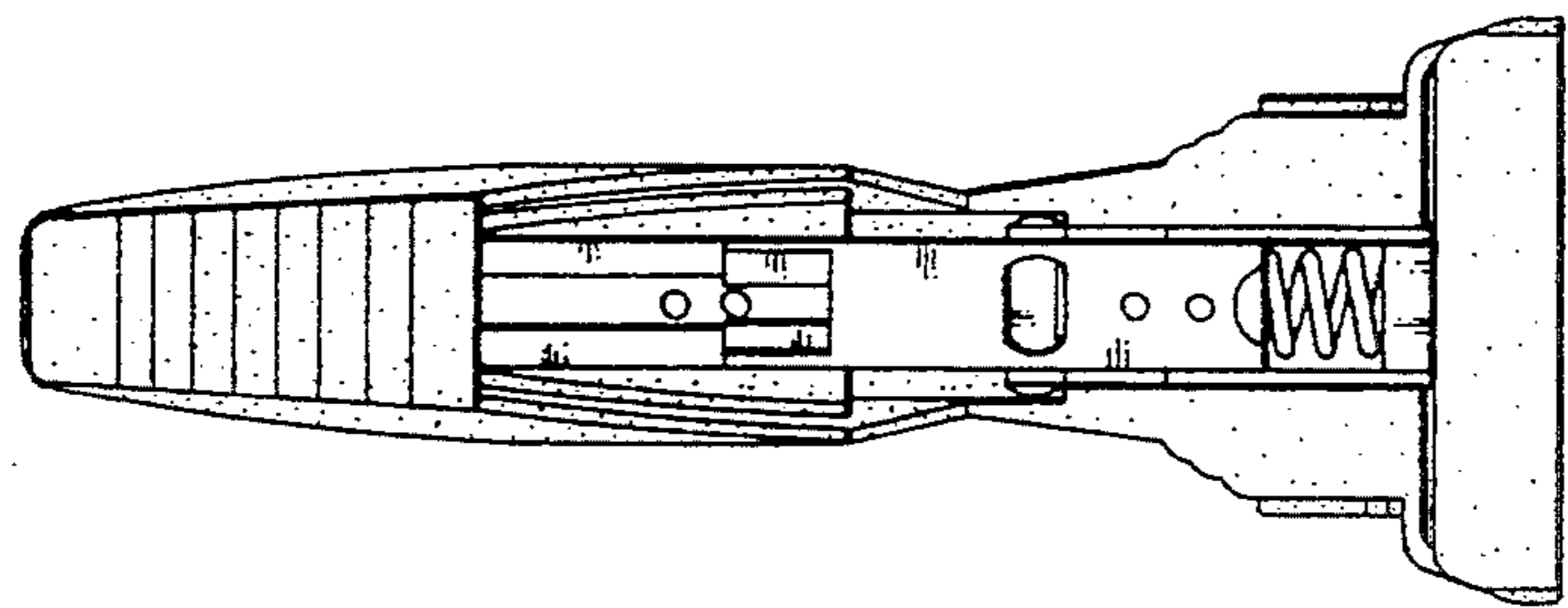


FIG. 5

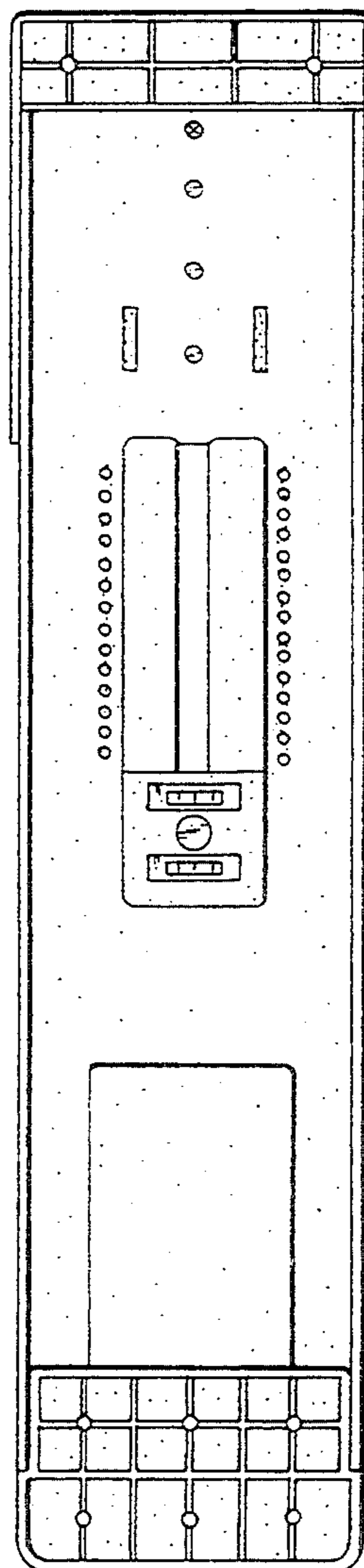


FIG. 7