



US00D361485S

United States Patent [19]
Seltz

[11] **Patent Number: Des. 361,485**

[45] **Date of Patent: ** Aug. 22, 1995**

[54] **FLEXIBLE EXTENSION TOOL**
[76] **Inventor: Clarence Seltz, 9133 State Rd.,
Otisville, Mich. 48463**
[**] **Term: 14 Years**
[21] **Appl. No.: 11,261**
[22] **Filed: Aug. 2, 1993**
[52] **U.S. Cl. D8/29**
[58] **Field of Search D8/21-29;
81/64, 77, 108, 109, 119, 121.1, 125.1, 177.1,
177.2, 177.85, 324-326, 330, 377-379, 436**

4,960,015 10/1990 Mathews 81/177.2
5,033,337 7/1991 Thomas 81/177.2

Primary Examiner—Prabhakar G. Deshmukh
Assistant Examiner—Richelle Shelton
Attorney, Agent, or Firm—David L. Volk; Kevin A. Sembrat

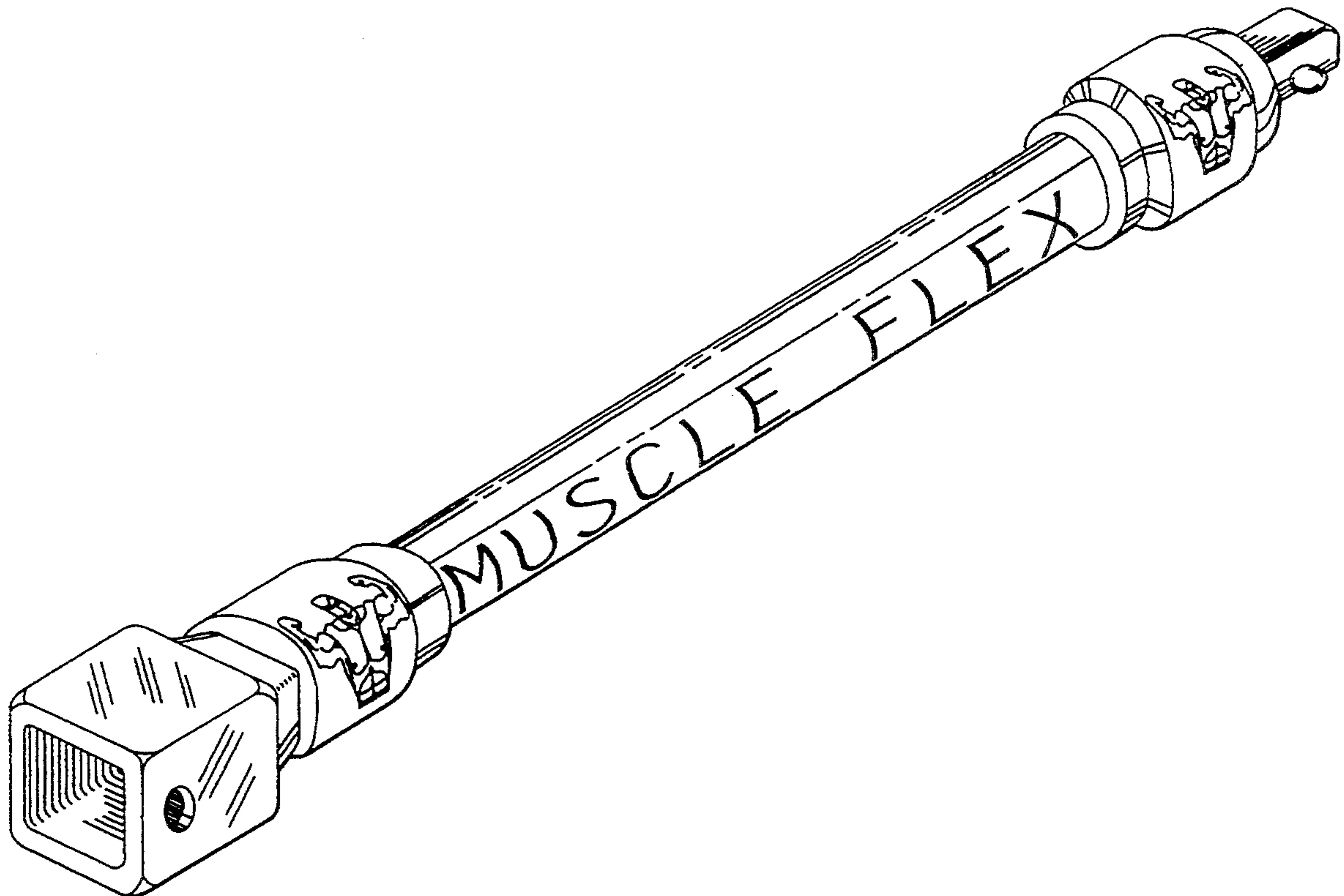
[57] **CLAIM**

The ornamental design for a flexible extension tool, as shown and described.

DESCRIPTION

FIG. 1 is a top front perspective view of a flexible extension tool showing my new design;
FIG. 2 is left side elevational view thereof;
FIG. 3 is a right side elevational view thereof;
FIG. 4 is a bottom plan view thereof; and,
FIG. 5 is a rear elevational view thereof.

[56] **References Cited**
U.S. PATENT DOCUMENTS
D. 335,071 4/1993 Fine D8/29
4,344,340 8/1982 Erickson 81/177.2
4,502,365 3/1985 Hacker 81/177.85 X



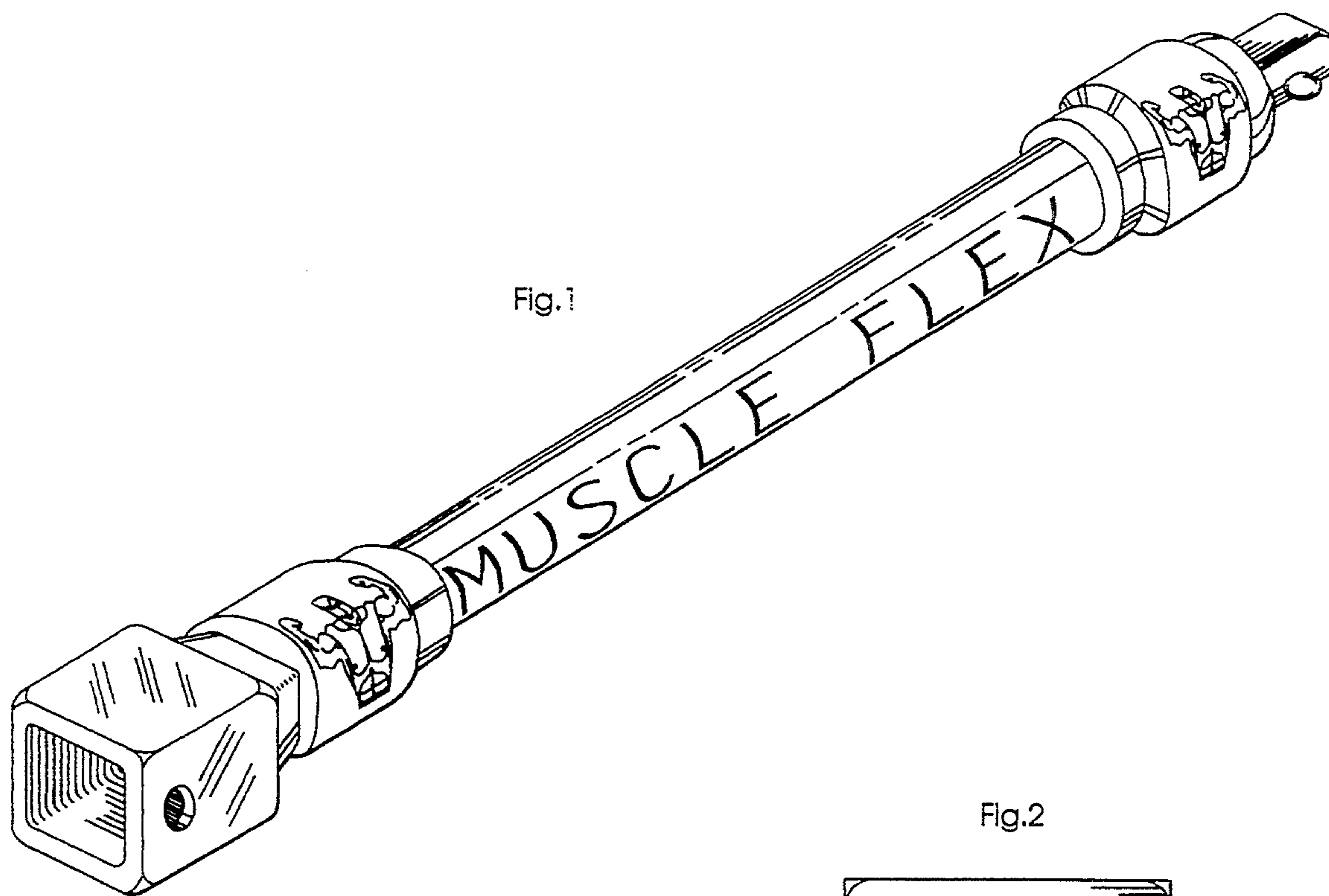


Fig. 2

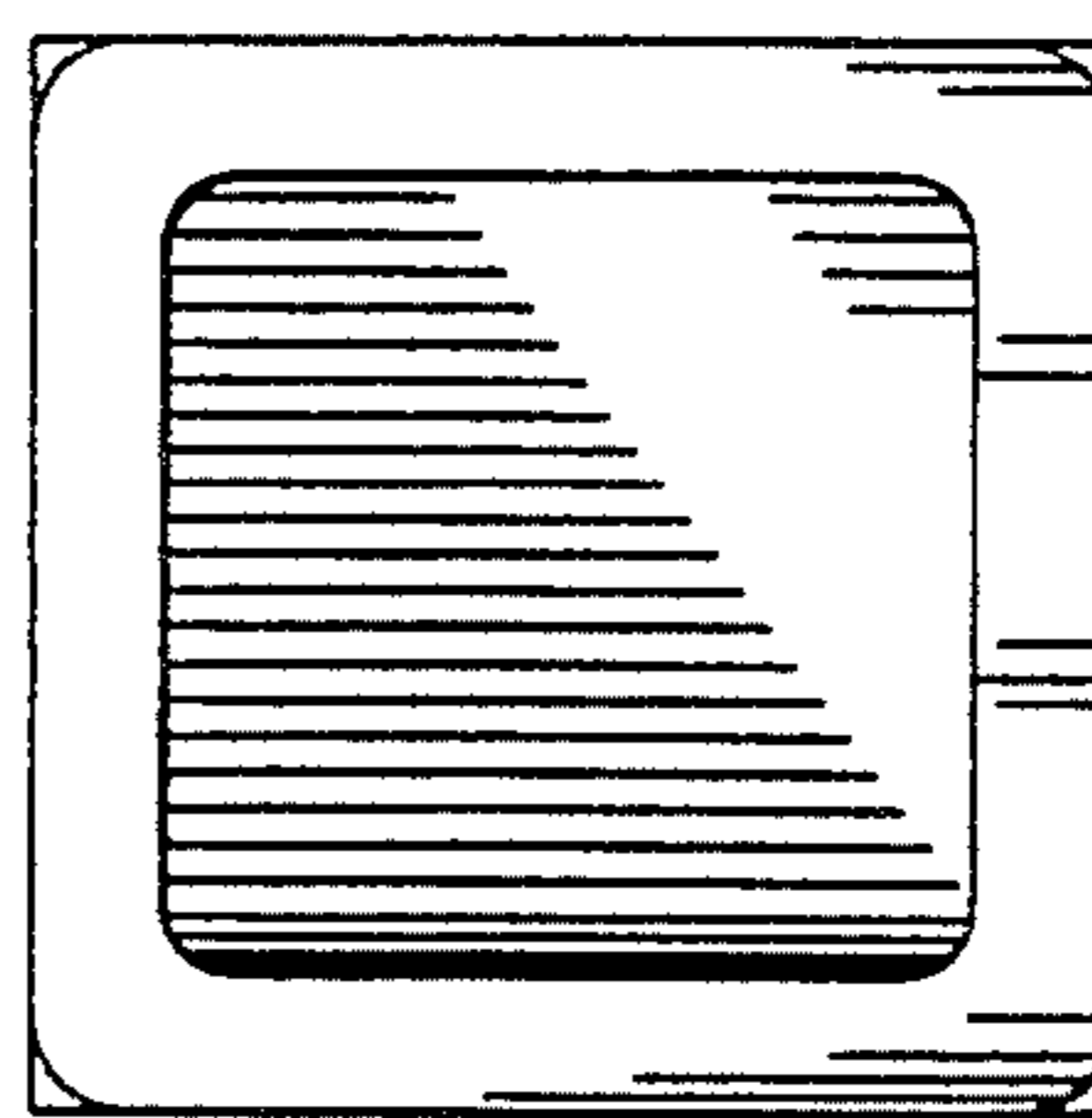


Fig. 3

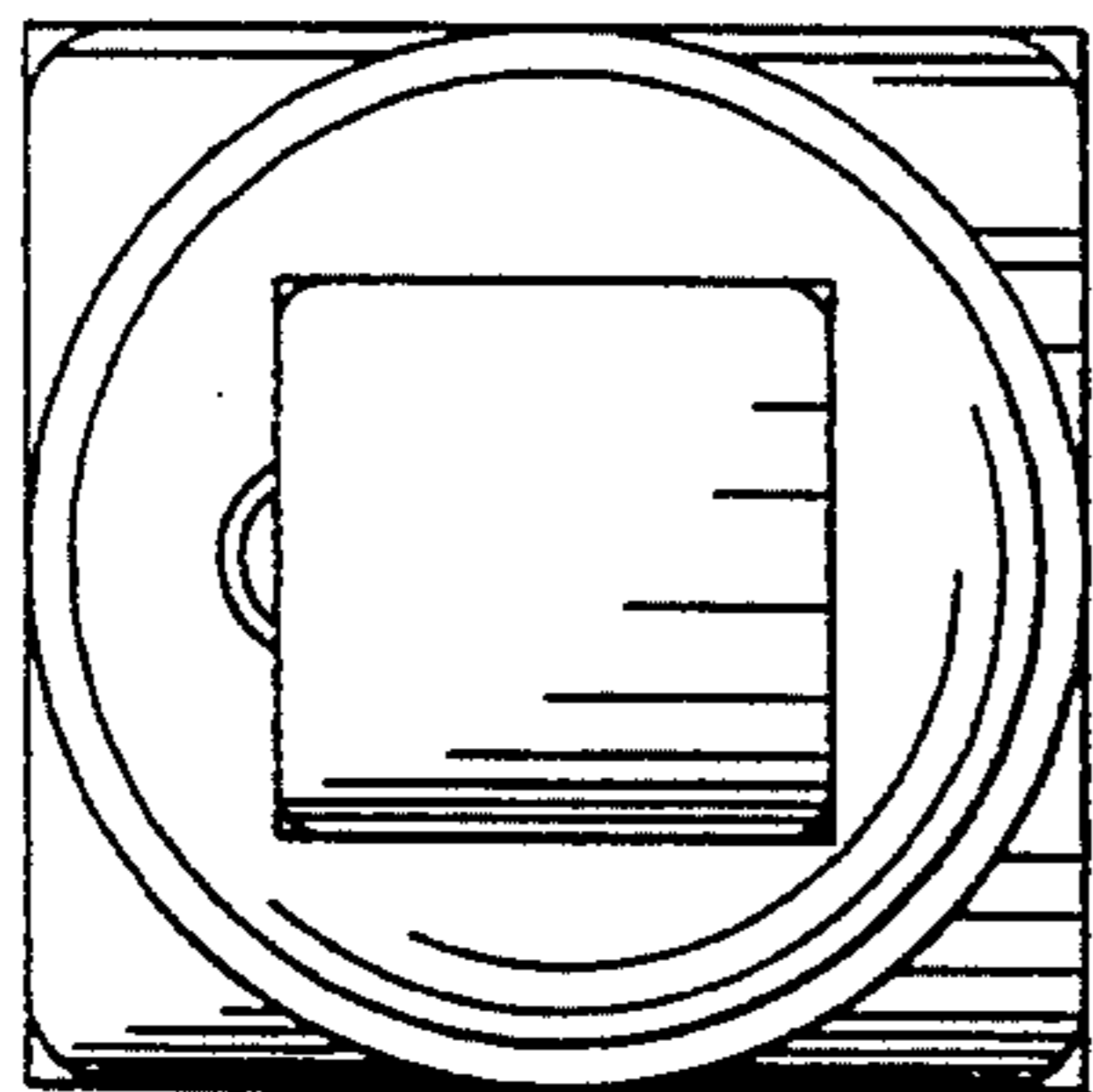


Fig.4

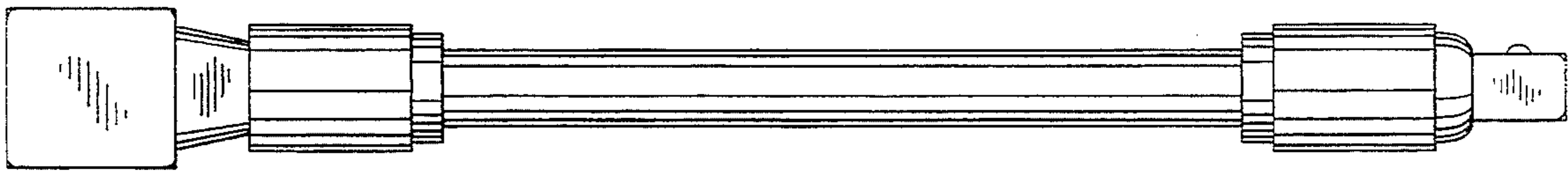


Fig.5

