



US00D361482S

United States Patent [19]

[11] Patent Number: **Des. 361,482**

Fugal

[45] Date of Patent: **** Aug. 22, 1995**

[54] SNOW SHOVEL BLADE

[76] Inventor: **Sherman L. Fugal**, 646 S. 100 West, Orem, Utah 84058

[**] Term: **14 Years**

[21] Appl. No.: **10,634**

[22] Filed: **Jul. 13, 1993**

[52] U.S. Cl. **D8/10**

[58] Field of Search **D8/10; 294/54.5, 55**

[56] References Cited

U.S. PATENT DOCUMENTS

D. 257,210	10/1980	Bonnes	D8/10
D. 298,906	12/1988	Bonnes	D8/10
D. 319,757	9/1991	Nelson	D8/10
D. 328,553	8/1992	Norton et al.	D8/10
D. 329,176	9/1992	Norton et al.	D8/10
841,848	1/1907	Conner	294/54.5 X

OTHER PUBLICATIONS

Ames Catalog No. 8710, Mar. 1987, p. 7, shovel blades, item C16-362 located at left top of page.

Roger Pusey, *Texan Hopes to Scoop up Profits with His Device for Scooping Snow*, Deseret News, Nov. 8, 1991, at 10 B.

Brochure by EMSCO Group, *Snow Dozer*, (1 page). Undated.

Brochure by EMSCO Group, *Poly Snow Tools*, (3 pages). Undated.

Brochure by EMSCO Group, *Bigfoot Snow Tools*, (1 page). Undated.

Brochure by EMSCO Group, *Snow Brushes and Ice Scrapers*, (1 page). Undated.

Brochure by KarVell Industries, Inc., *The Snow Pusher Plus*, (2 page). Undated.

Primary Examiner—A. Hugo Word

Assistant Examiner—Holly H. Baynham

Attorney, Agent, or Firm—Workman, Nydegger & Seeley

[57] CLAIM

The ornamental design for a snow shovel blade, as shown and described.

DESCRIPTION

FIG. 1 is a perspective view of the front of the snow shovel blade;

FIG. 2 is a front elevational view;

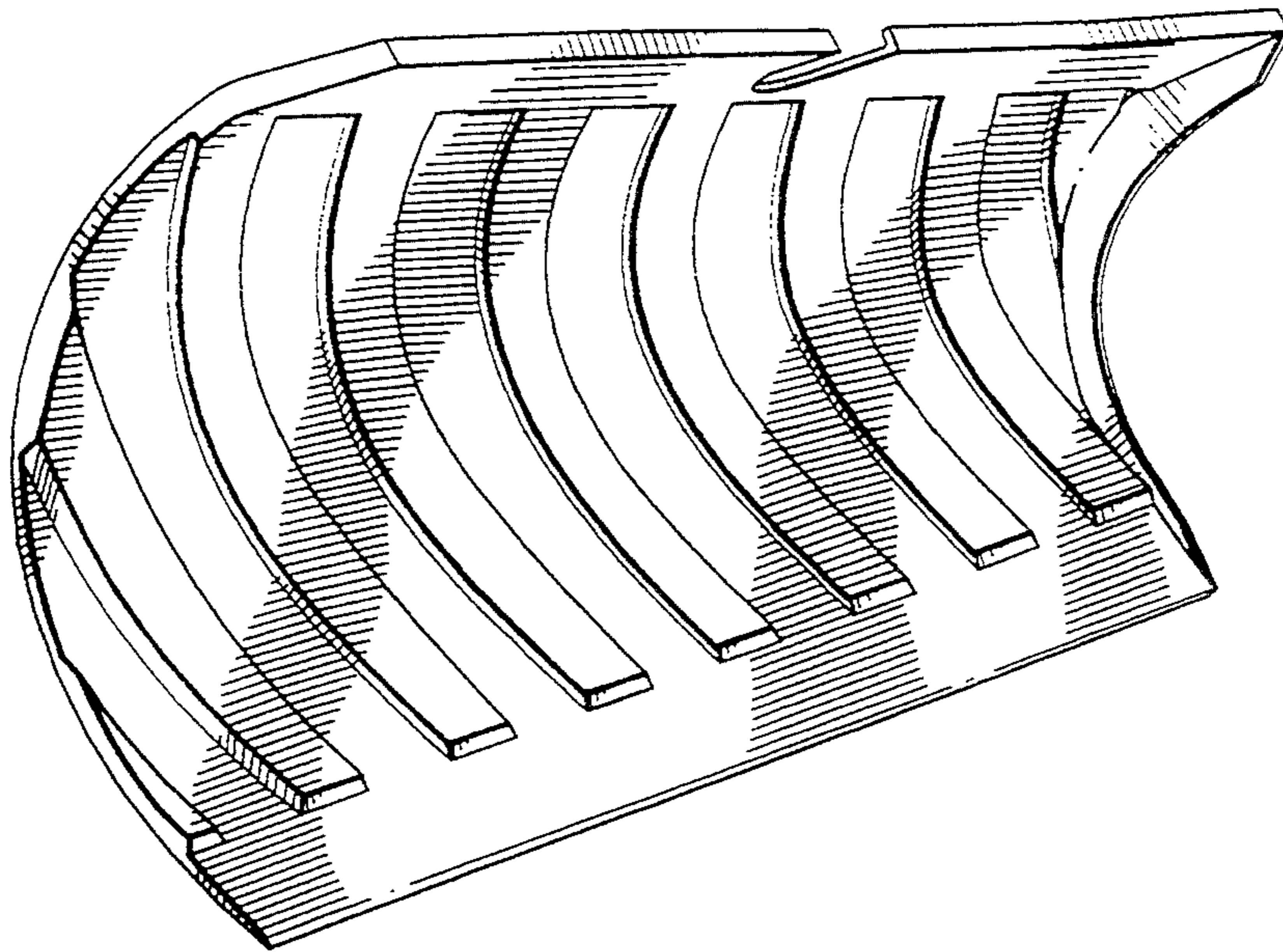
FIG. 3 is an elevational view of the left side;

FIG. 4 is an elevational view of the right side;

FIG. 5 is an elevational view of the rear of the snow shovel blade;

FIG. 6 is a reduced scale front, partially rear, left side perspective view of the snow shovel blade; and,

FIG. 7 is a reduced scale, front, partially rear, right side perspective view of the snow shovel blade.



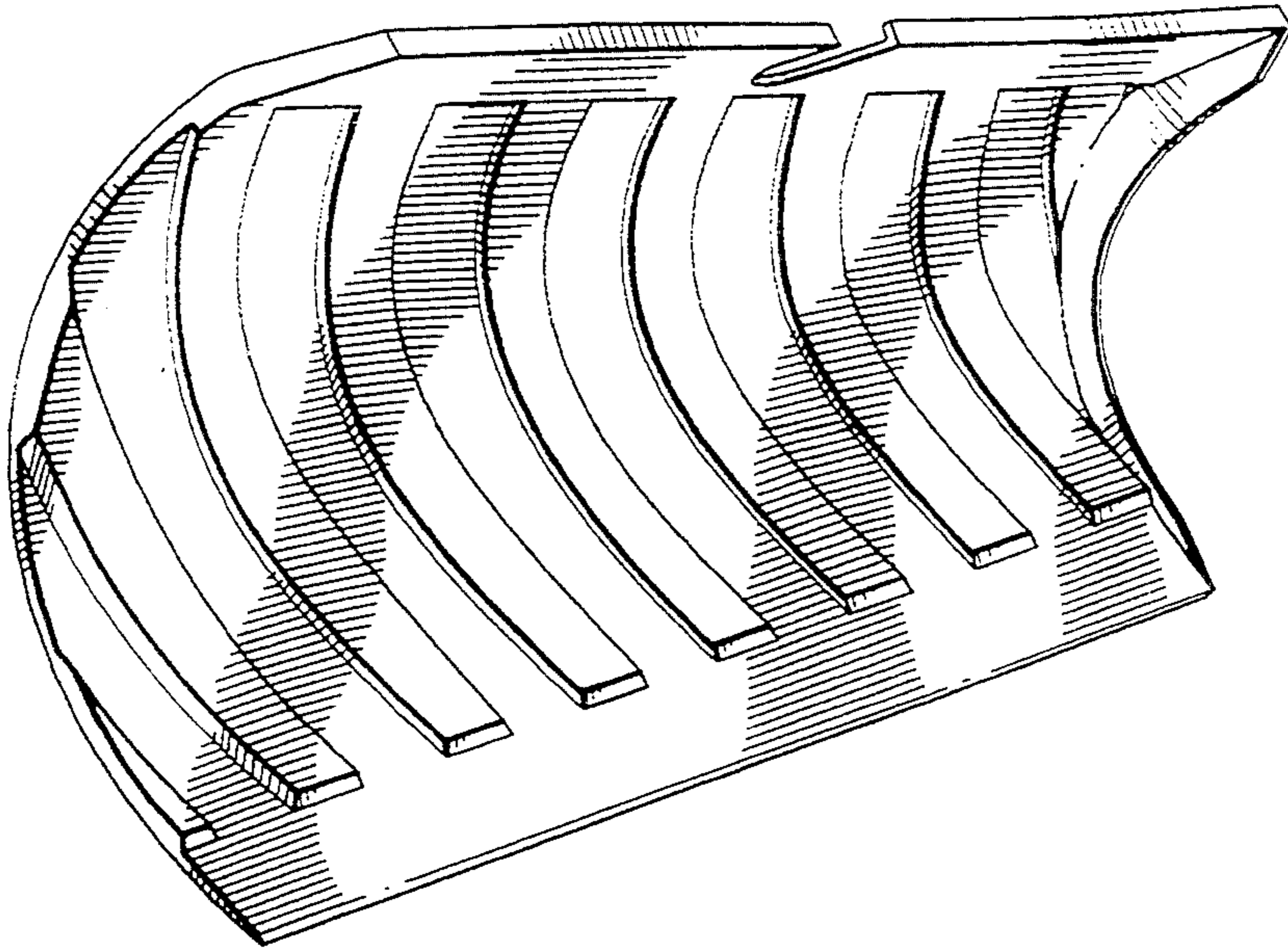


FIG. 1

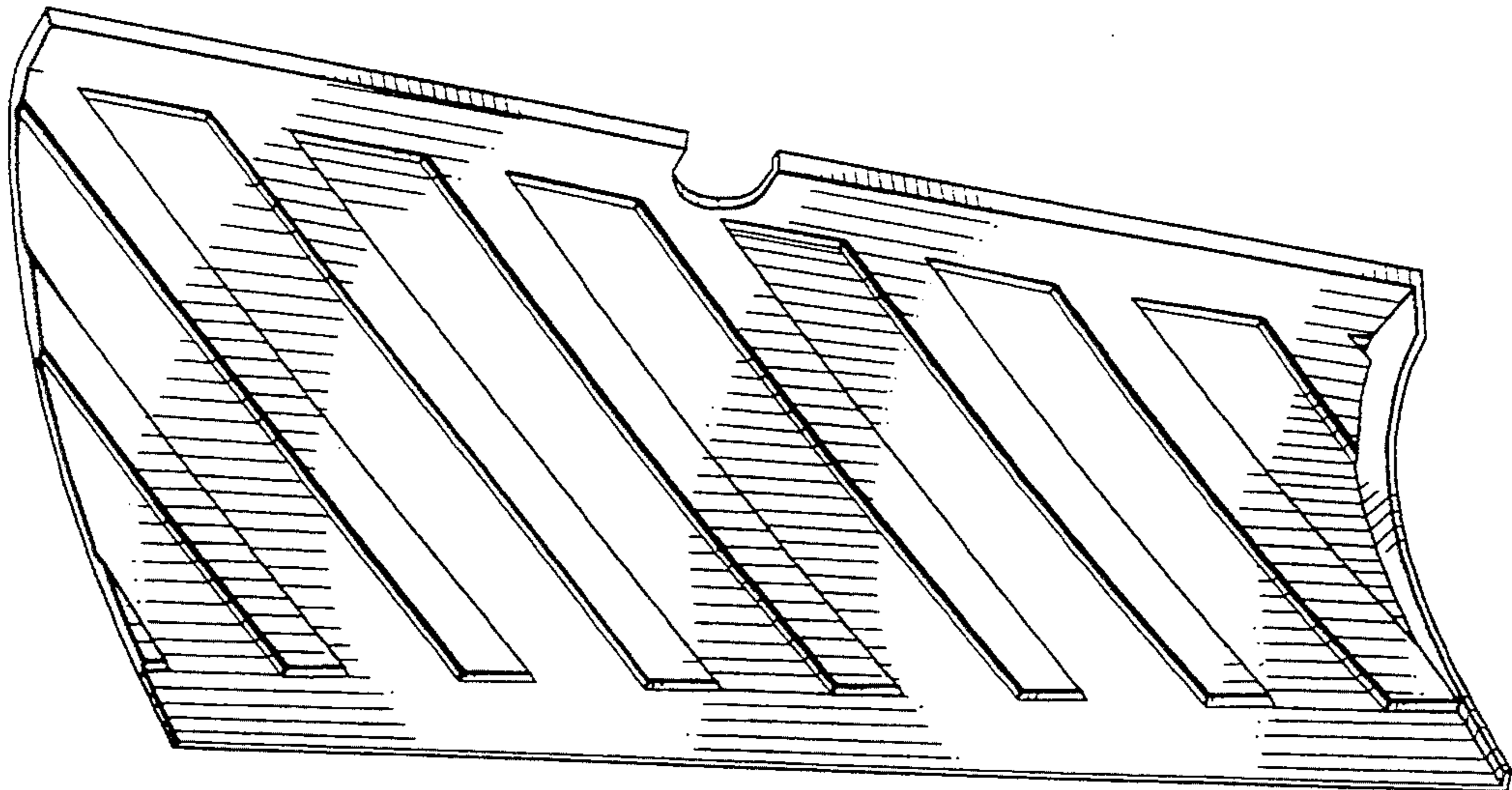


FIG. 2

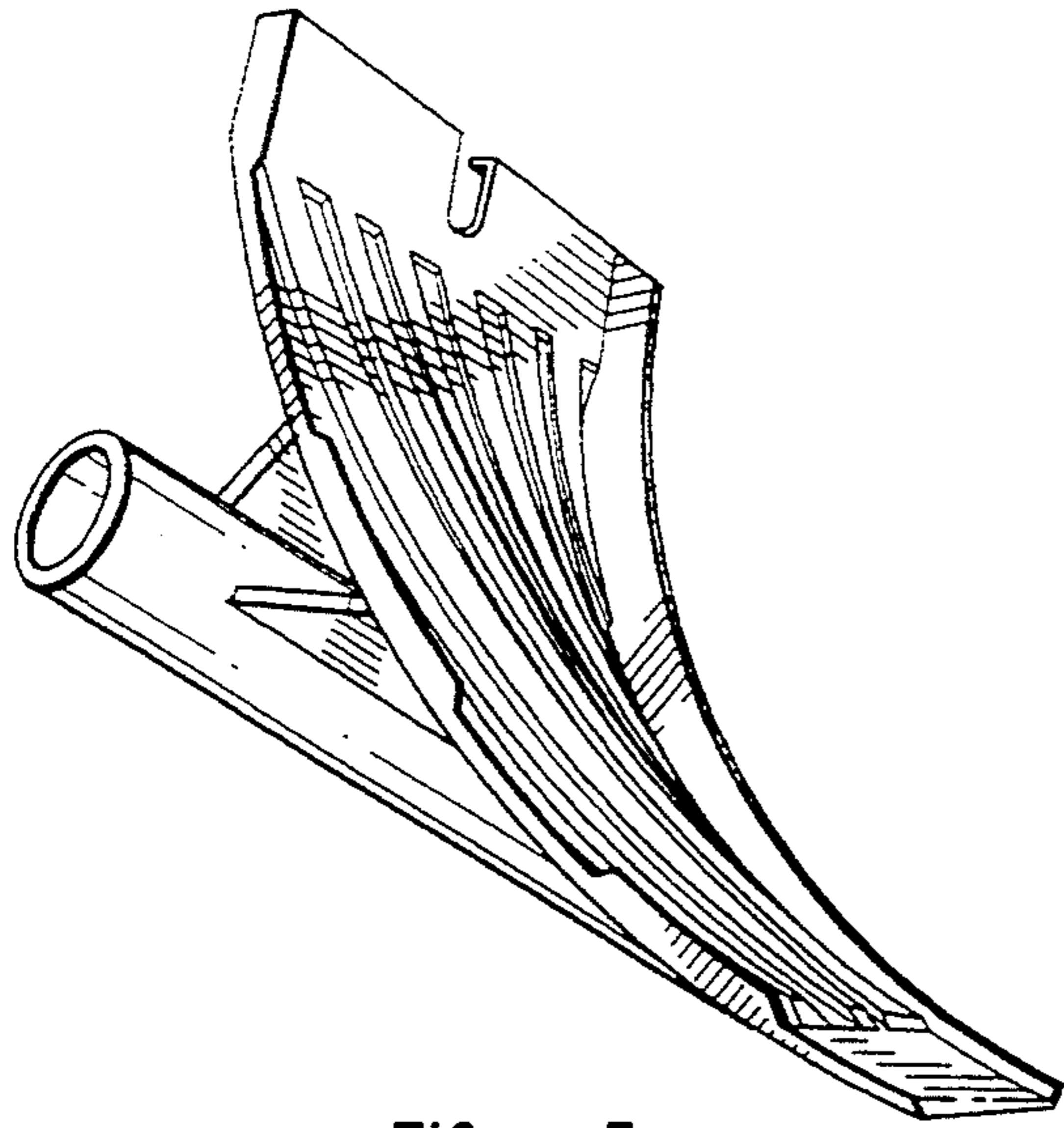


FIG. 3

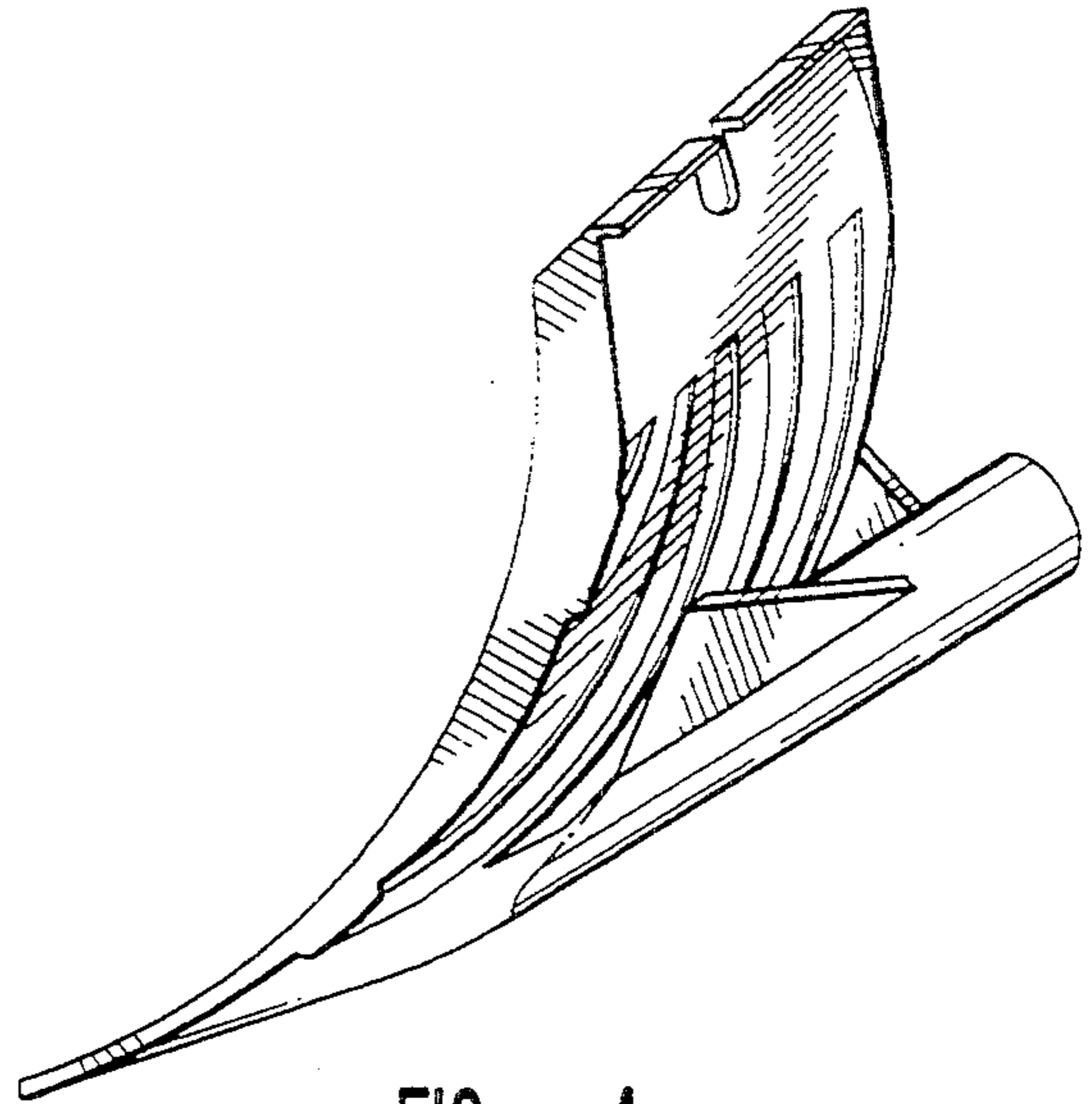


FIG. 4

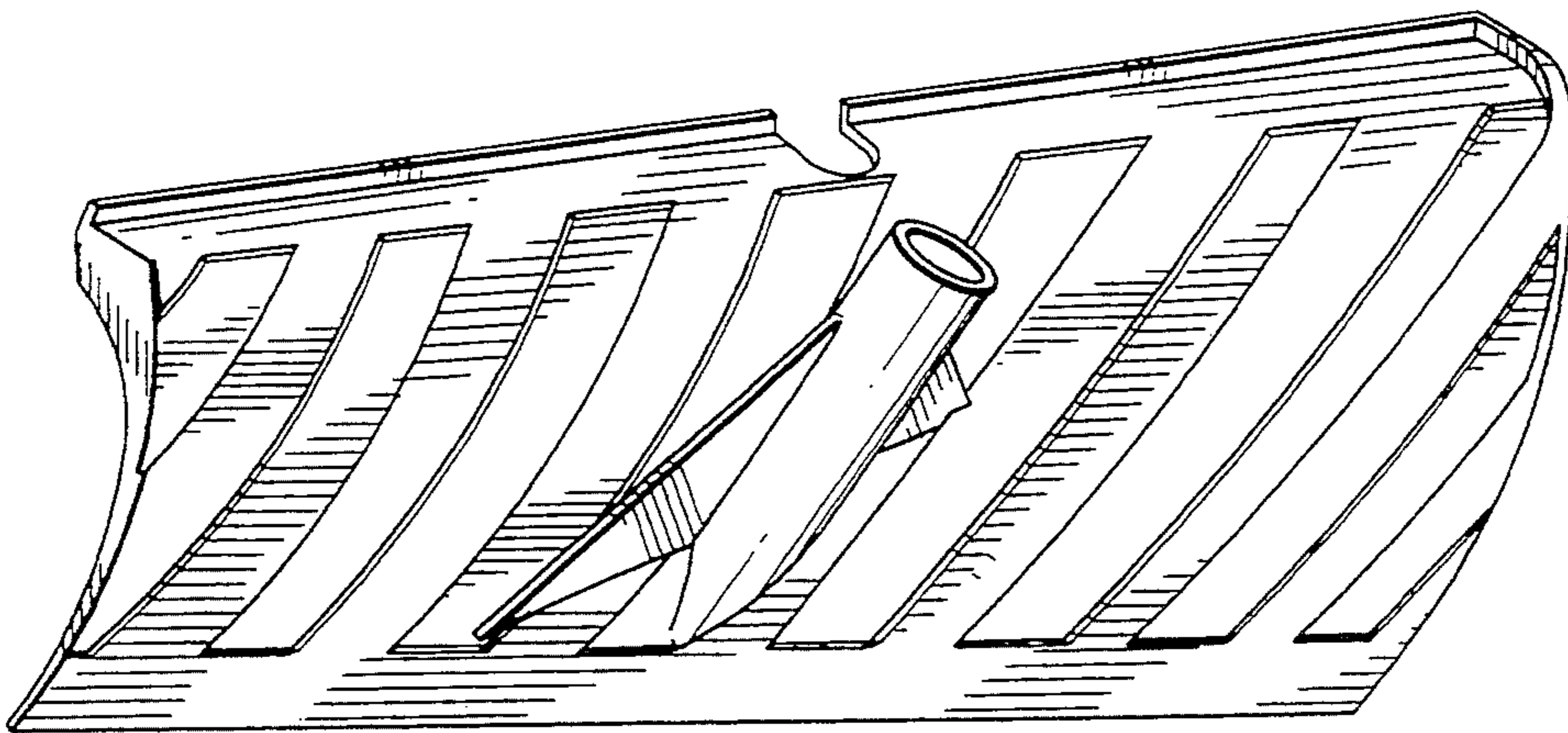


FIG. 5

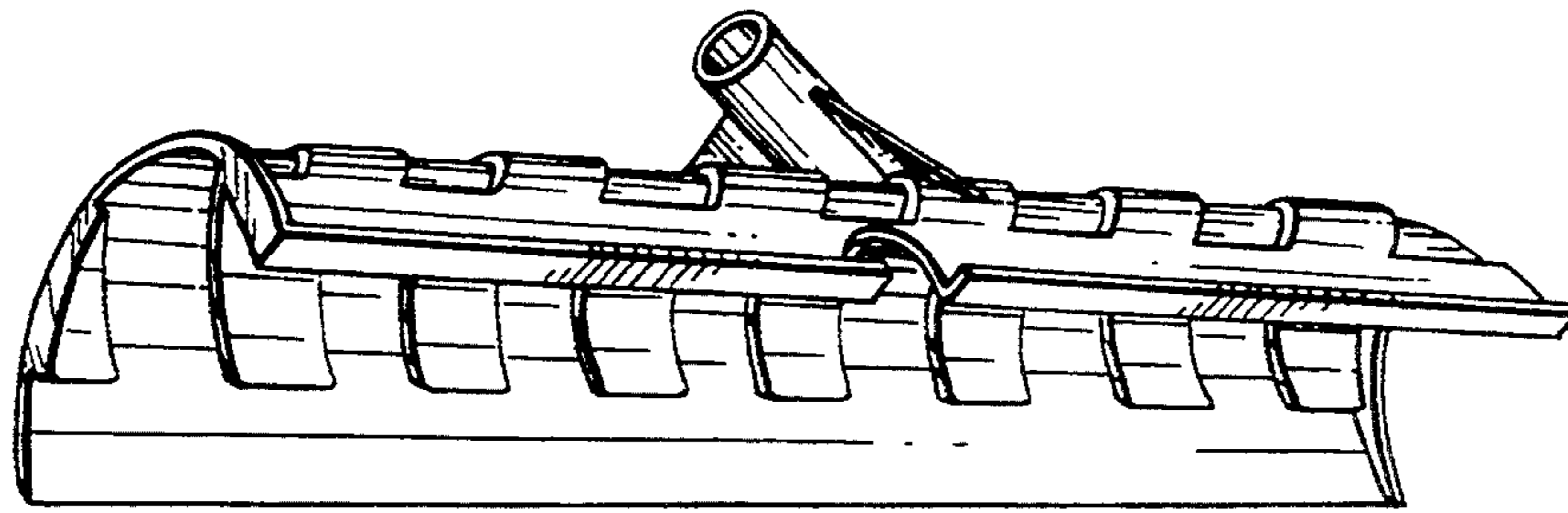


FIG. 6

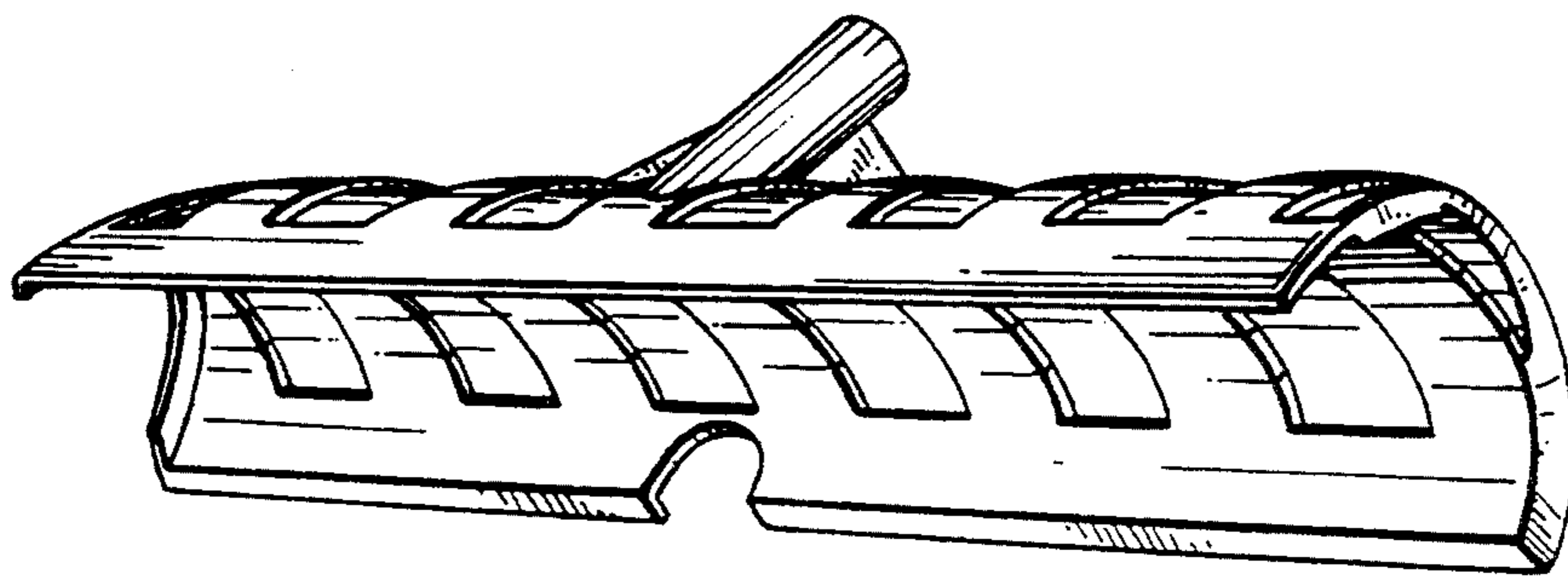


FIG. 7