



US00D361481S

United States Patent [19]

[11] Patent Number: **Des. 361,481**

Rees et al.

[45] Date of Patent: **** Aug. 22, 1995**

[54] **TREE LIMB TRIMMER**

[75] Inventors: **Spencer C. Rees**, Sugar Grove; **James S. Stanley**, Willowbrook, both of Ill.

[73] Assignee: **Wen Products, Inc.**, Chicago, Ill.

[**] Term: **14 Years**

[21] Appl. No.: **31,340**

[22] Filed: **Nov. 23, 1994**

[52] U.S. Cl. **D8/8**

[58] Field of Search **D8/1, 8; 30/276, 216, 30/382, 296.1, 392; 56/12.7**

[56] **References Cited**

U.S. PATENT DOCUMENTS

| | | | |
|------------|---------|-----------------------|------------|
| D. 321,816 | 11/1991 | Fushiya et al. | D8/7 |
| D. 343,777 | 2/1994 | Vossoughi et al. | D8/9 |
| 3,657,813 | 4/1972 | Knight | 30/296.1 X |
| 4,654,971 | 4/1987 | Fettes et al. | 30/296.1 X |
| 4,991,298 | 2/1991 | Matre | 30/296.1 X |

Primary Examiner—A. Hugo Word
Assistant Examiner—Holly Baynham

[57] **CLAIM**

The ornamental design for an electric tree limb trimmer, as shown and described.

DESCRIPTION

FIG. 1 is a side elevation view of an electric tree limb trimmer showing our new design with the opposite side being a mirror image thereof;

FIG. 2 is an enlarged, fragmentary top plan view of the cutting end of the electric tree limb trimmer;

FIG. 3 is an enlarged, fragmentary bottom plan view of the cutting end;

FIG. 4 is a fragmentary cross-sectional view taken along line IV—IV of FIG. 1;

FIG. 5 is an enlarged, fragmentary front elevation view of the cutting end;

FIG. 6 is a reduced scale top plan view of the electric tree limb trimmer shown in its entirety;

FIG. 7 is a bottom plan view thereof;

FIG. 8 is a front elevation view; and,

FIG. 9 is a rear elevation view.

The views of FIGS. 2-5 have been shown in a fragmented manner for clarity of illustration.

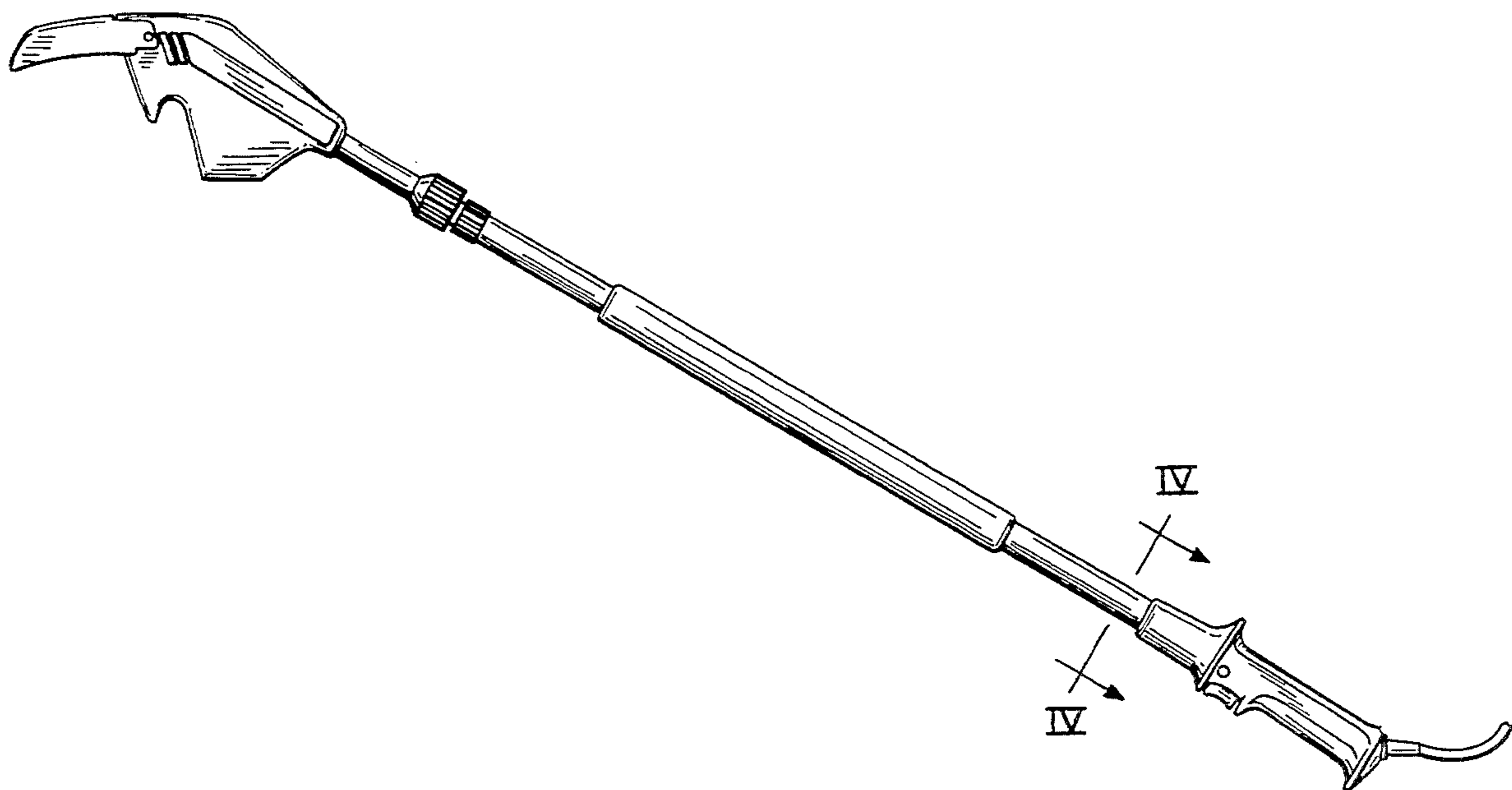


FIG.2

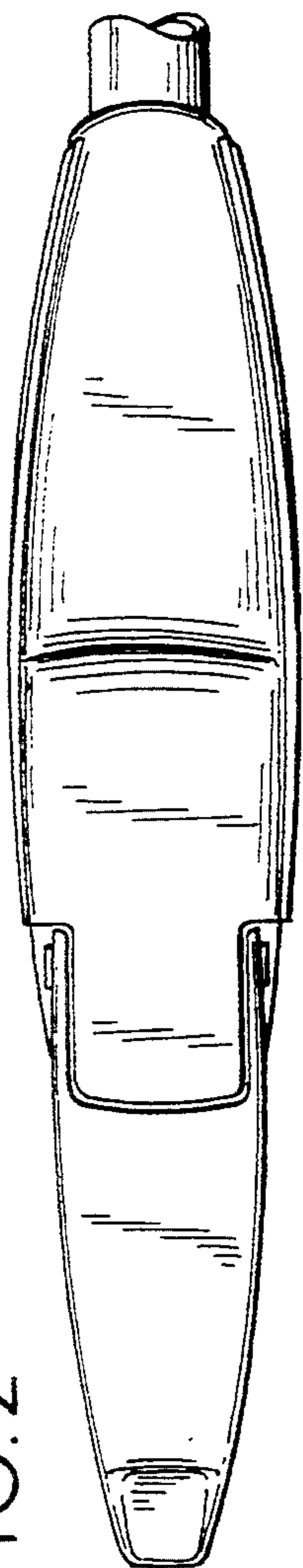


FIG.1

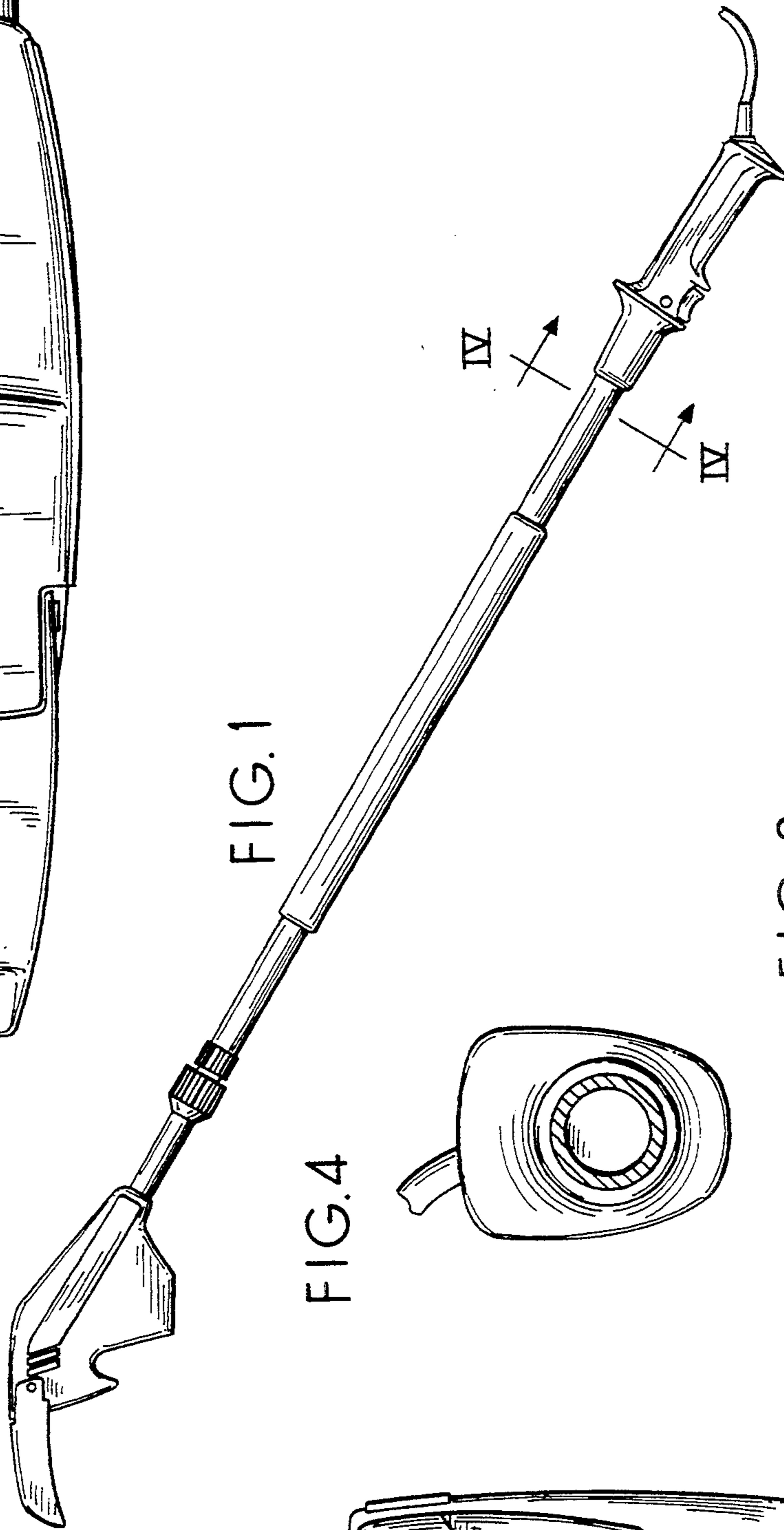


FIG.4

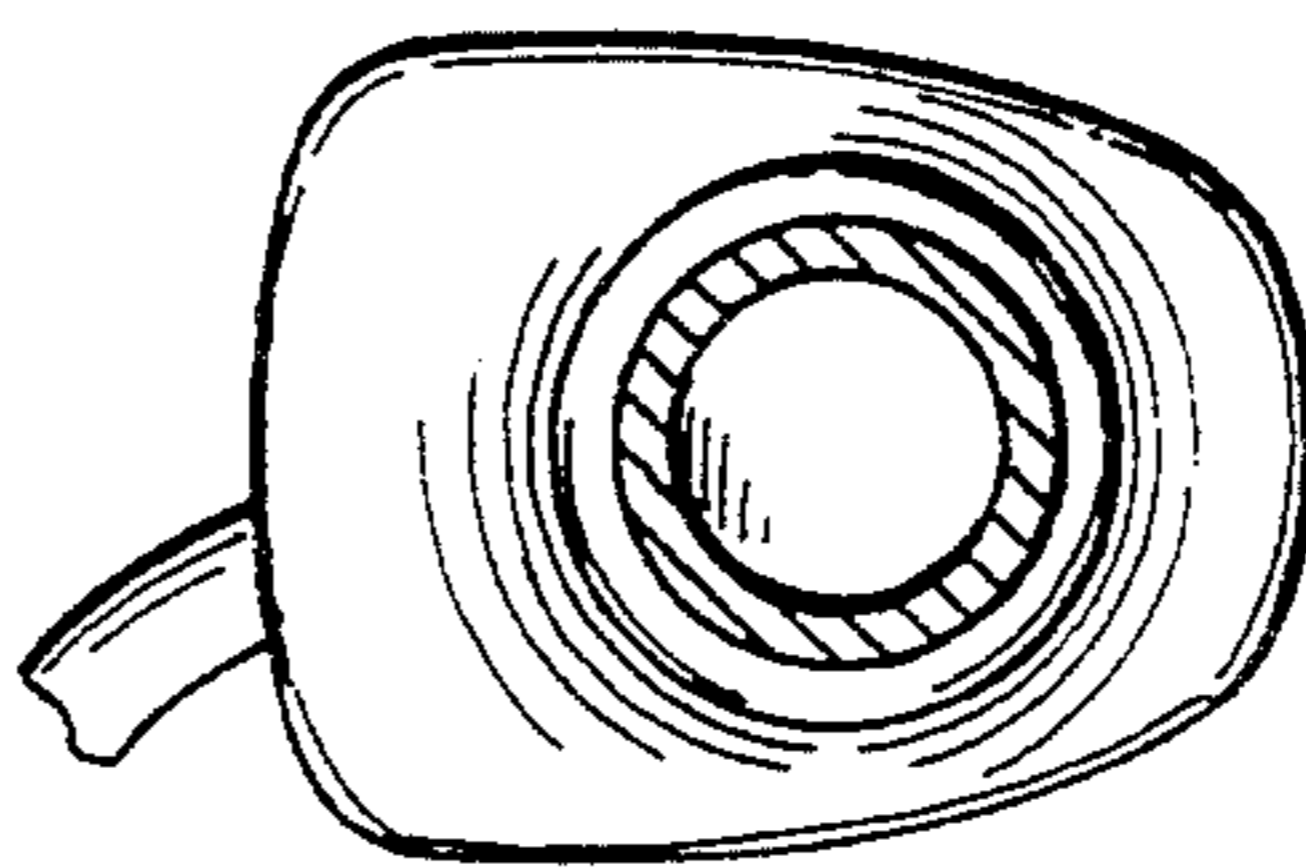


FIG.5

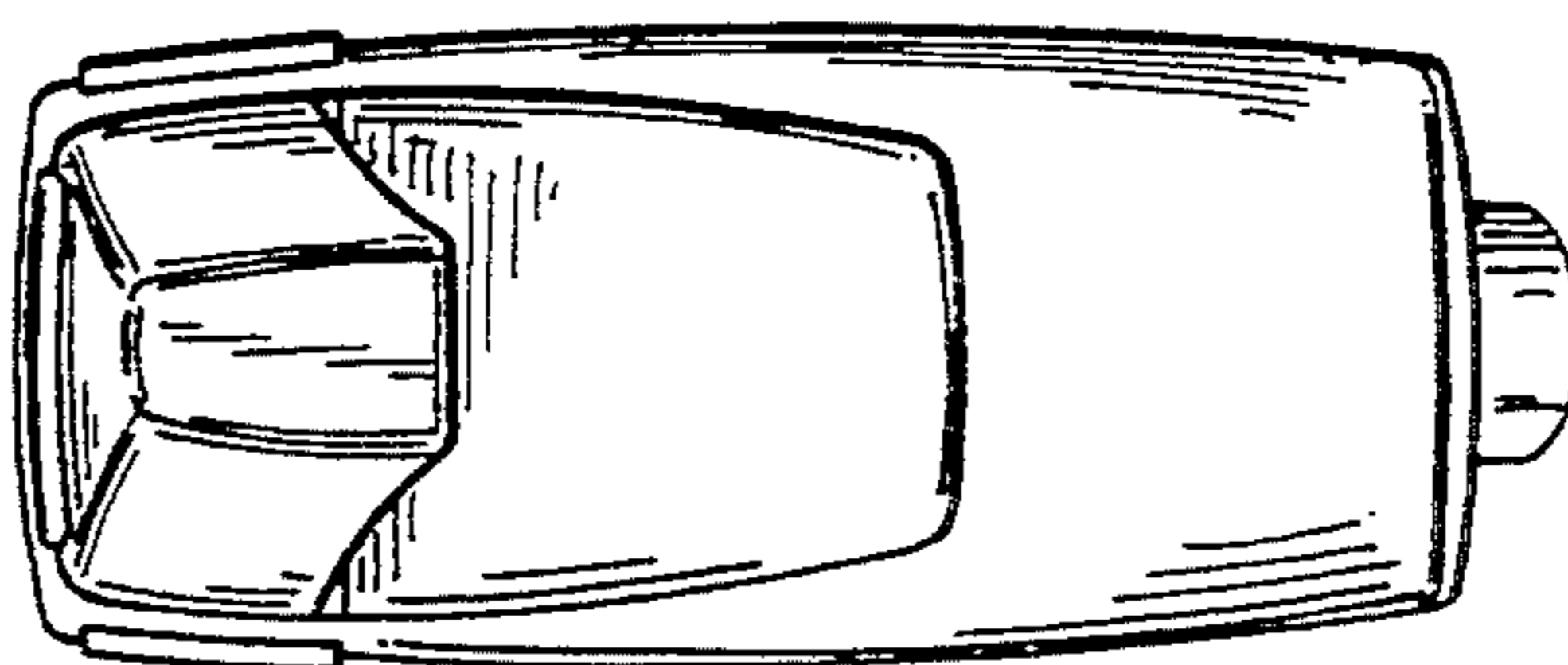


FIG.3

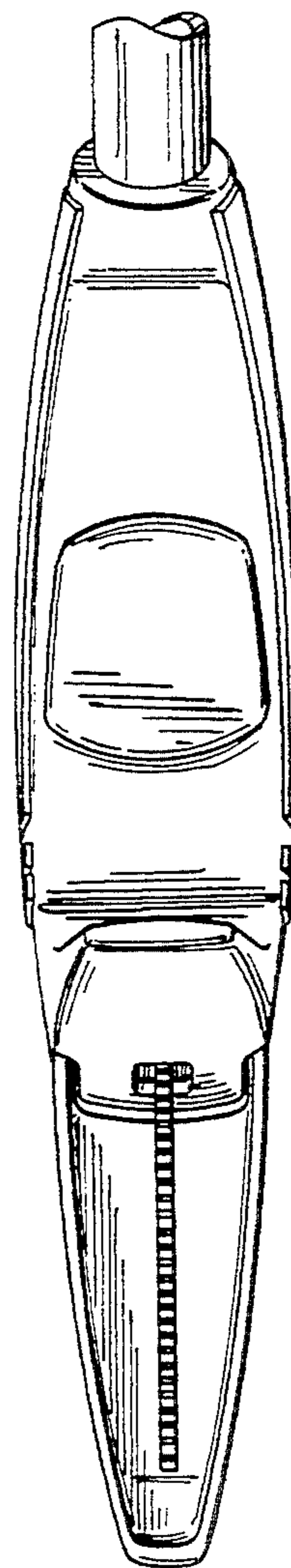


FIG. 6

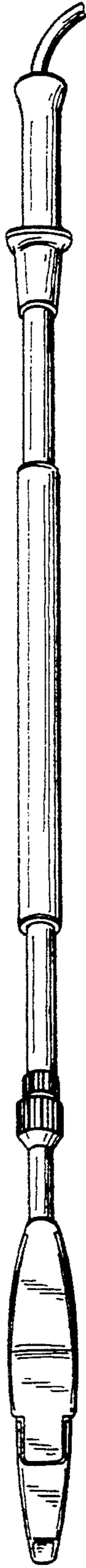


FIG. 9

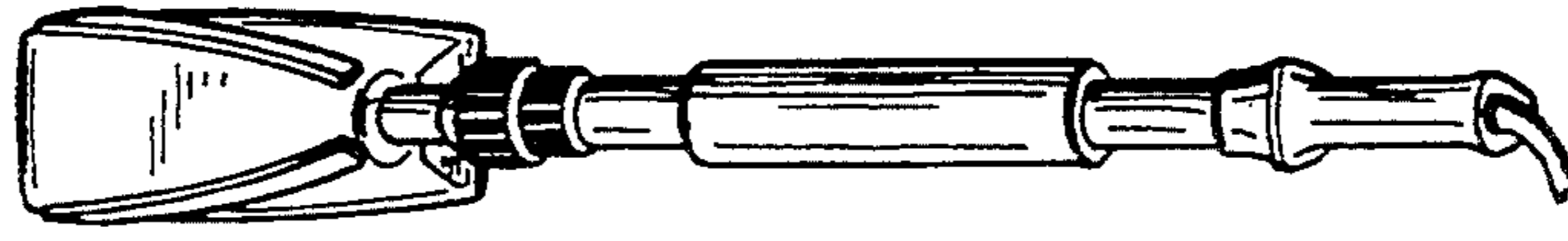


FIG. 8

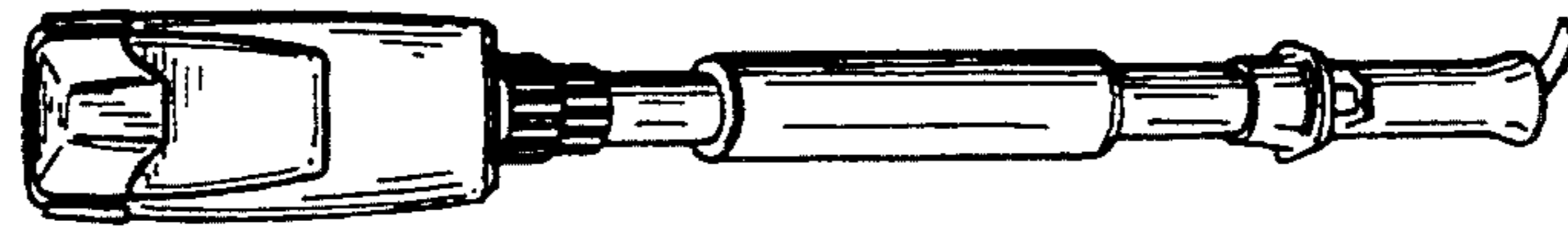


FIG. 7

