



US00D361480S

United States Patent [19] Cooper

[11] Patent Number: **Des. 361,480**
[45] Date of Patent: **** Aug. 22, 1995**

[54] **HAND PORTIONER**

[75] Inventor: **William A. Cooper**, Uckfield,
England

[73] Assignee: **Mitchell & Cooper Limited**, Suzzex,
England

[**] Term: **14 Years**

[21] Appl. No.: **20,654**

[22] Filed: **Mar. 30, 1994**

[30] **Foreign Application Priority Data**

Oct. 1, 1993 [GB] United Kingdom 2034282

[52] U.S. Cl. **D7/681**

[58] Field of Search D7/681, 688-692;
30/128, 130, 324; 73/426; 294/55; 425/187,
276, 283-286

[56] **References Cited**

U.S. PATENT DOCUMENTS

- D. 294,101 2/1988 Steinko .
- D. 312,193 11/1990 Cooper .
- 561,727 6/1896 Riggs .
- 708,987 9/1902 Baughman .
- 772,674 10/1904 Rommer .
- 903,563 11/1908 Graffort .
- 925,275 6/1909 Benjamin .

- 1,120,888 12/1914 Baughman .
- 1,430,979 10/1922 Gibbs .
- 1,826,818 10/1931 Palmer .
- 1,842,709 1/1932 Baughman .
- 2,669,194 2/1954 Brown .
- 3,208,404 9/1965 Schlessei .
- 4,392,806 7/1983 Houle .

FOREIGN PATENT DOCUMENTS

- 472274 3/1947 Belgium .
- 2282232 3/1976 France .
- 204991 4/1908 Germany .
- 2044771 3/1972 Germany .
- 64680 9/1949 Netherlands .
- 174821 2/1922 United Kingdom .
- 1343123 1/1974 United Kingdom .

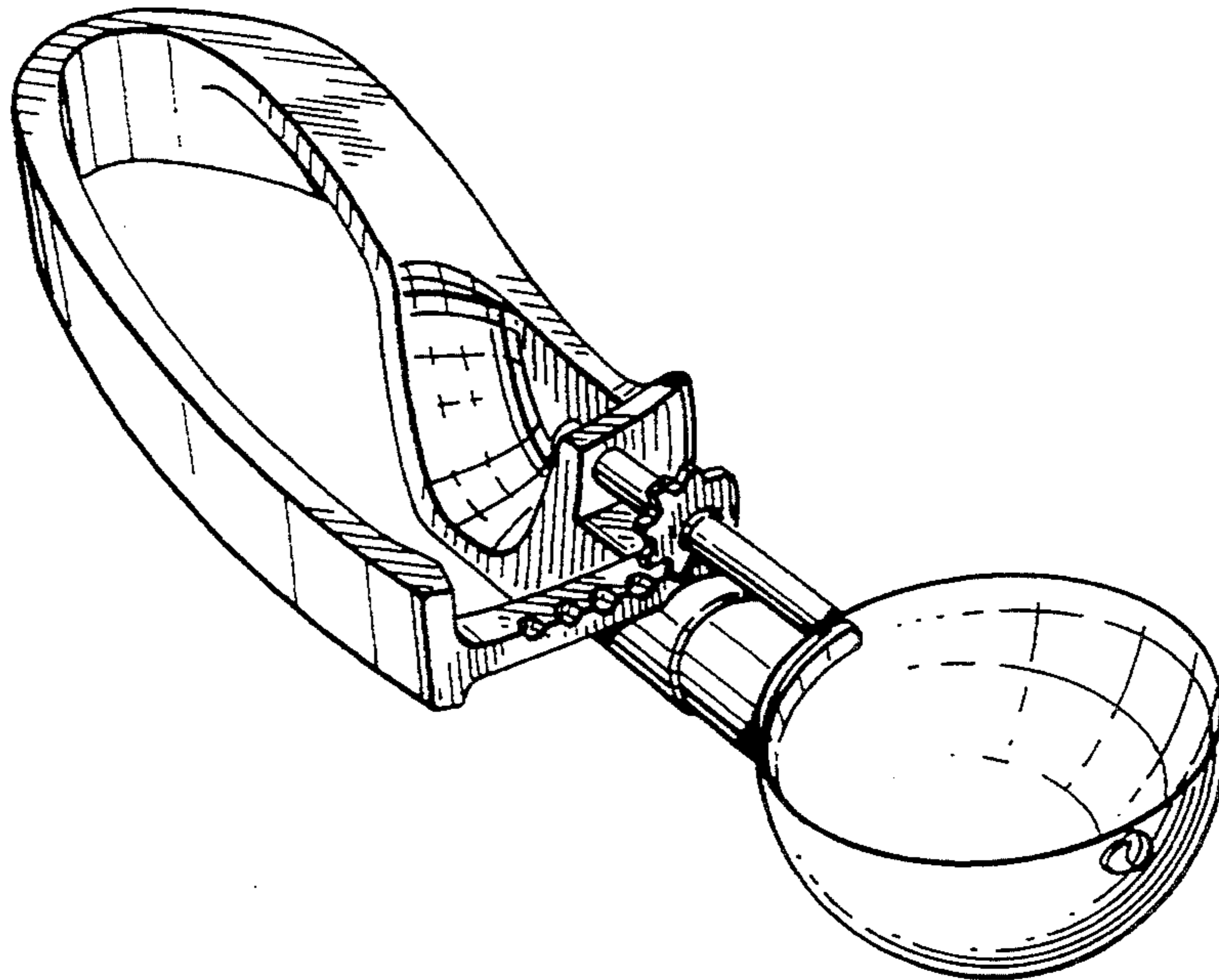
Primary Examiner—Terry A. Wallace
Attorney, Agent, or Firm—Bryan Cave

[57] **CLAIM**

The ornamental design for a hand portioner, as shown and described.

DESCRIPTION

FIG. 1 is a perspective view of a hand portioner showing my new design;
FIG. 2 is a right side elevational view thereof;
FIG. 3 is a top plan view thereof; and,
FIG. 4 is a bottom plan view thereof.



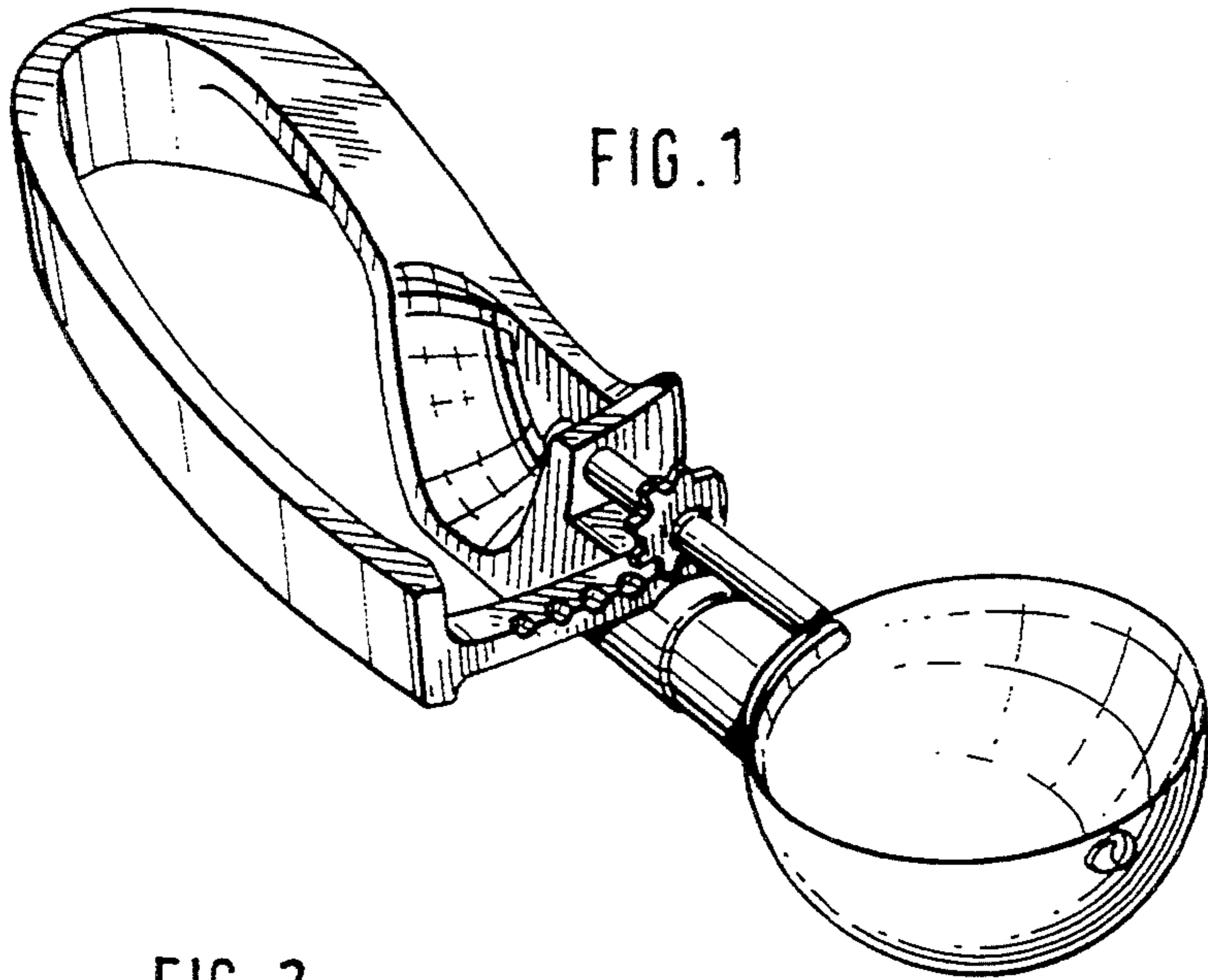


FIG. 1

FIG. 2

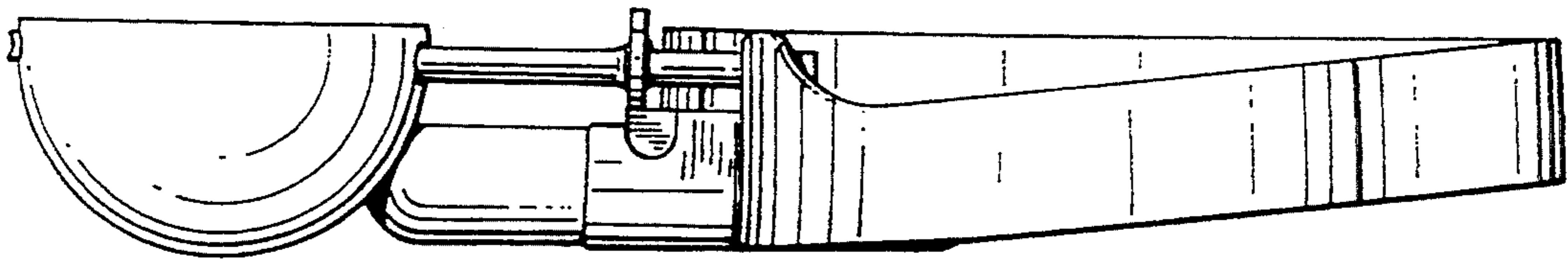


FIG. 3

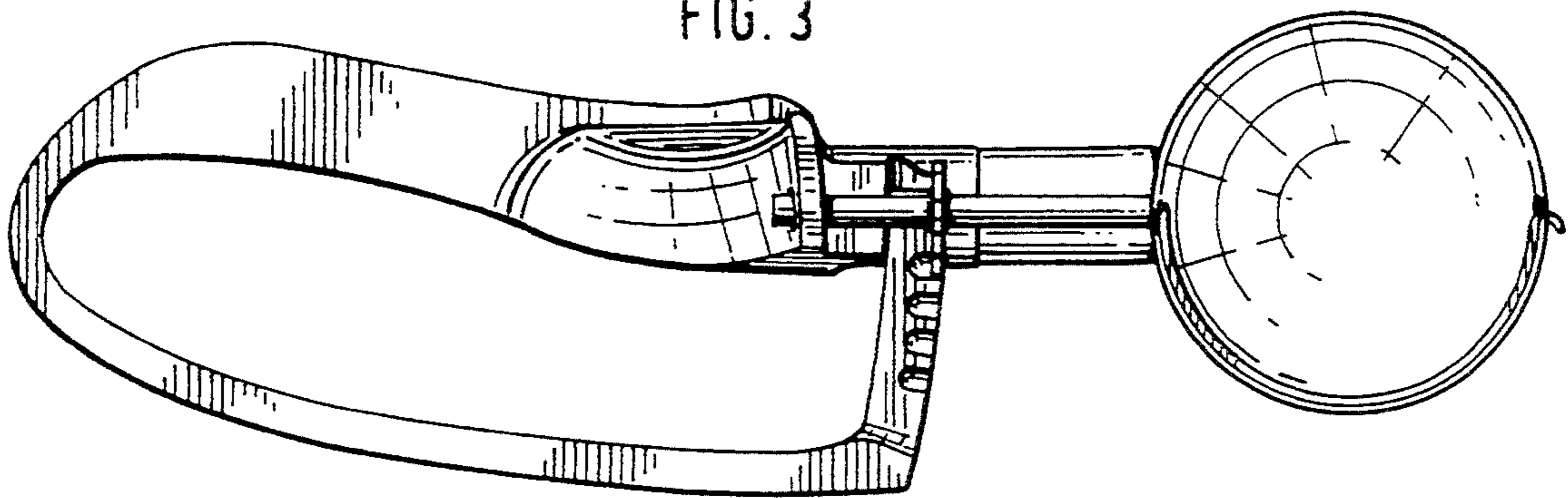


FIG. 4

