



US00D361475S

United States Patent [19]
Strong

[11] **Patent Number: Des. 361,475**
[45] **Date of Patent: ** Aug. 22, 1995**

[54] **DRINK HOLDER FOR SPORTING EVENTS**

[76] Inventor: **Andrew H. Strong**, 1412 Mayapple Trail, Glencoe, Mo. 63038

[**] Term: **14 Years**

[21] Appl. No.: **17,099**

[22] Filed: **Jan. 5, 1994**

[52] U.S. Cl. **D7/620**

[58] Field of Search **D7/619-622, D7/700; D6/500-503, 510-511; 211/71, 74, 75; 224/42.45 R, 42.43; 248/311.2, 214; 297/194**

[56] **References Cited**

U.S. PATENT DOCUMENTS

D. 226,623	4/1973	Shuford	D7/620
D. 228,304	9/1973	Lerew et al.	D7/620
D. 256,201	8/1980	Ventura	D7/553 X
D. 320,331	10/1991	Paone	D7/620
D. 326,589	6/1992	White et al.	D7/620

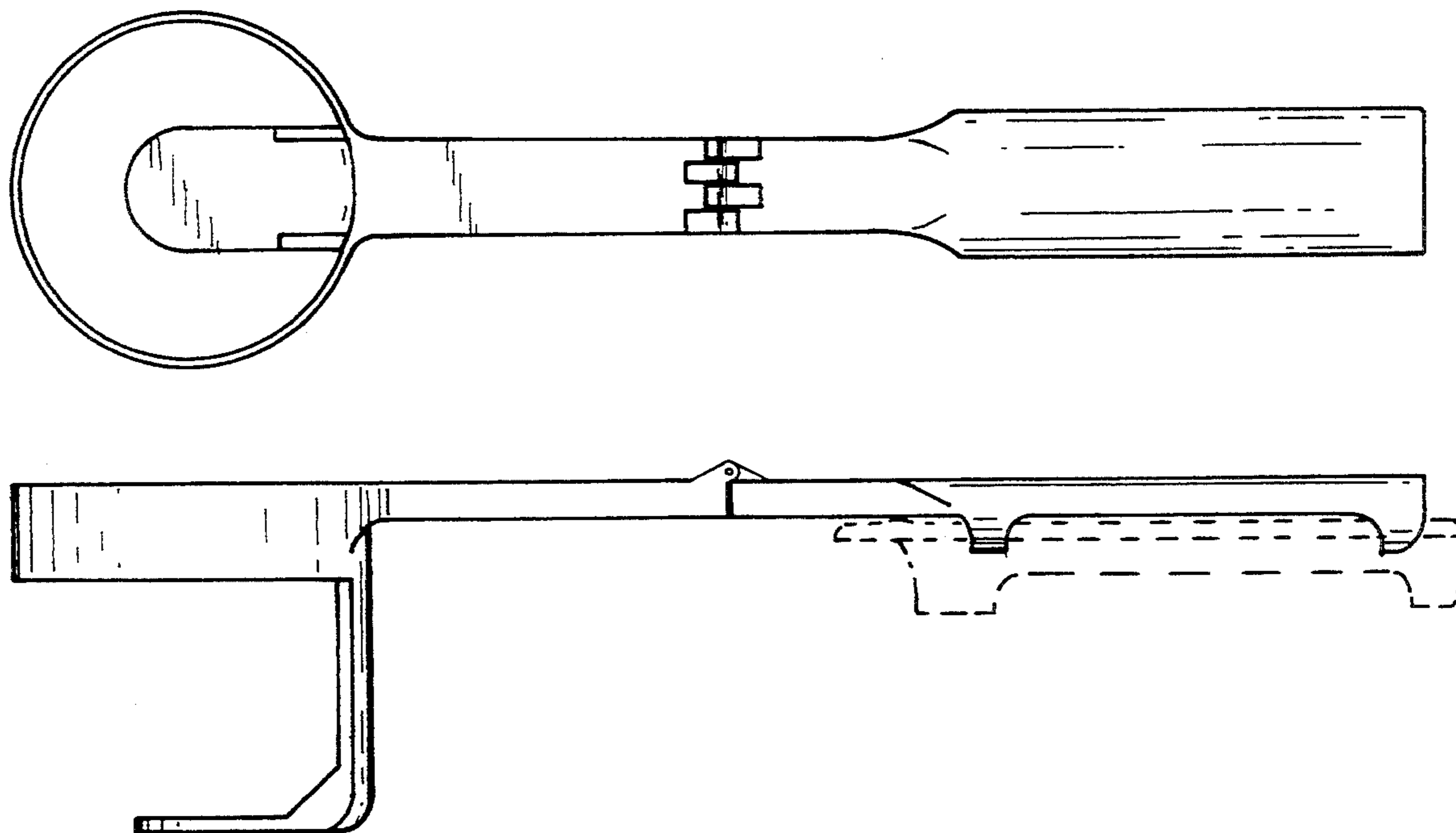
Primary Examiner—Terry A. Wallace
Attorney, Agent, or Firm—Edward H. Renner

[57] **CLAIM**

The ornamental design for a drink holder for sporting events, as shown and described.

DESCRIPTION

FIG. 1 is a top plan view of a drink holder for sporting events showing my new design;
 FIG. 2 is a front elevational view thereof;
 FIG. 3 is a left side elevational view thereof;
 FIG. 4 is a bottom plan view thereof;
 FIG. 5 is a right side elevational view thereof;
 FIG. 6 is a perspective view thereof;
 FIG. 7 is a cross-sectional view taken along line 7—7 of FIG. 6;
 FIG. 8 is a top plan view of a second embodiment of that shown in FIG. 1;
 FIG. 9 is a front elevational view of that shown in FIG. 8; and,
 FIG. 10 is a front elevational view of the embodiment shown in FIG. 1 in a folded position.
 The second embodiment is identical to the first except for the hinge on the handle portion. The broken line showing of the arm rest and can are for illustrative purposes only and form no part of the claimed design.



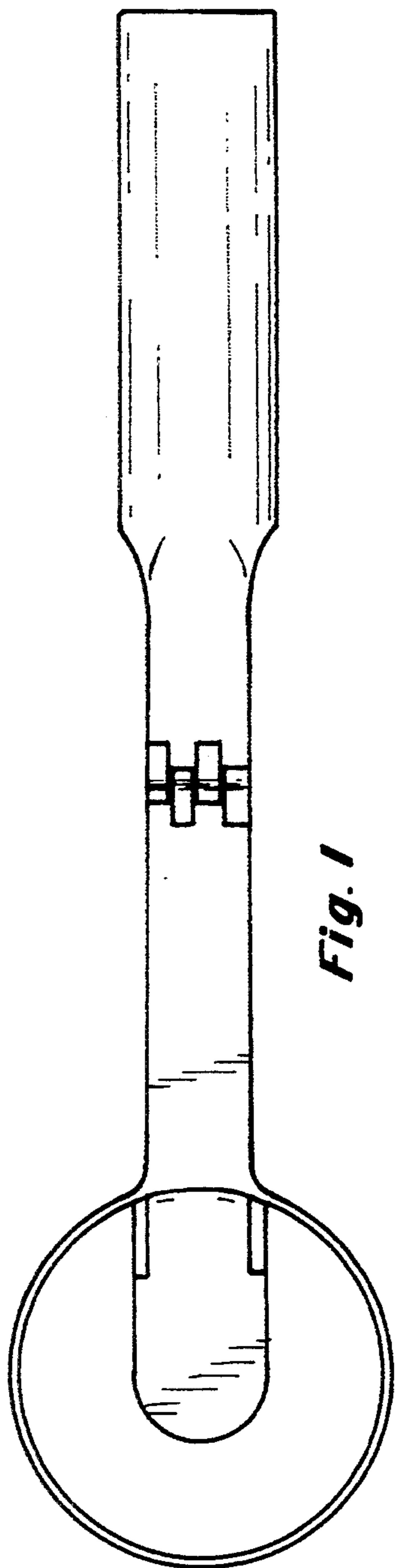


Fig. 1

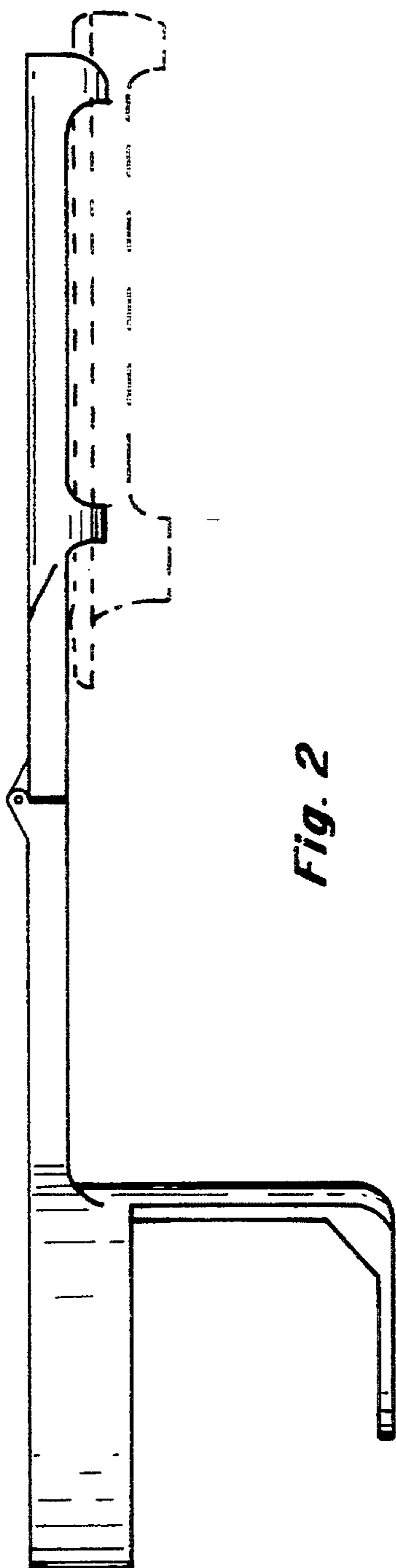


Fig. 2

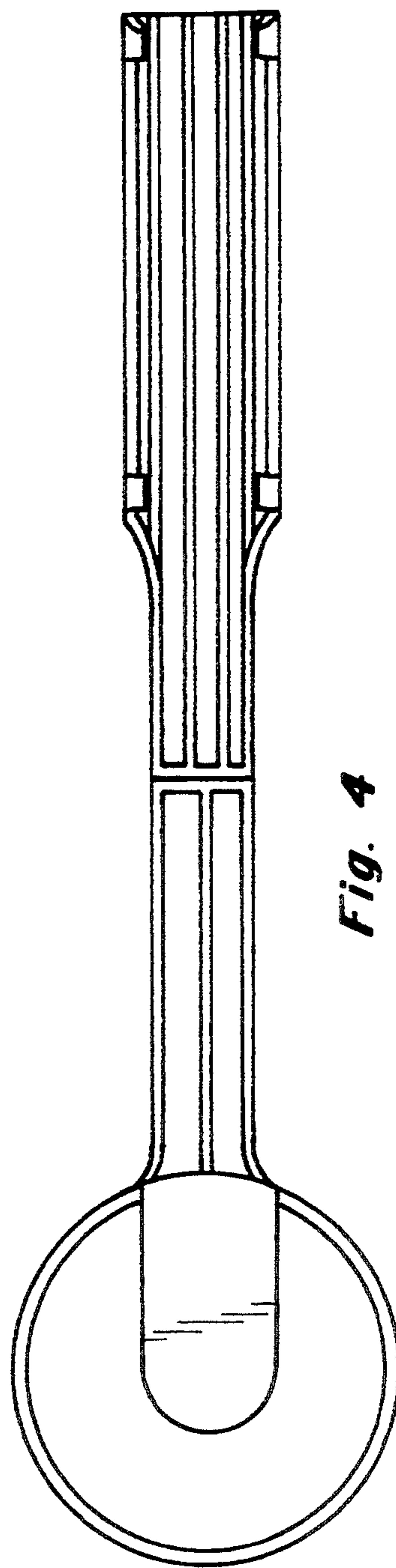


Fig. 4

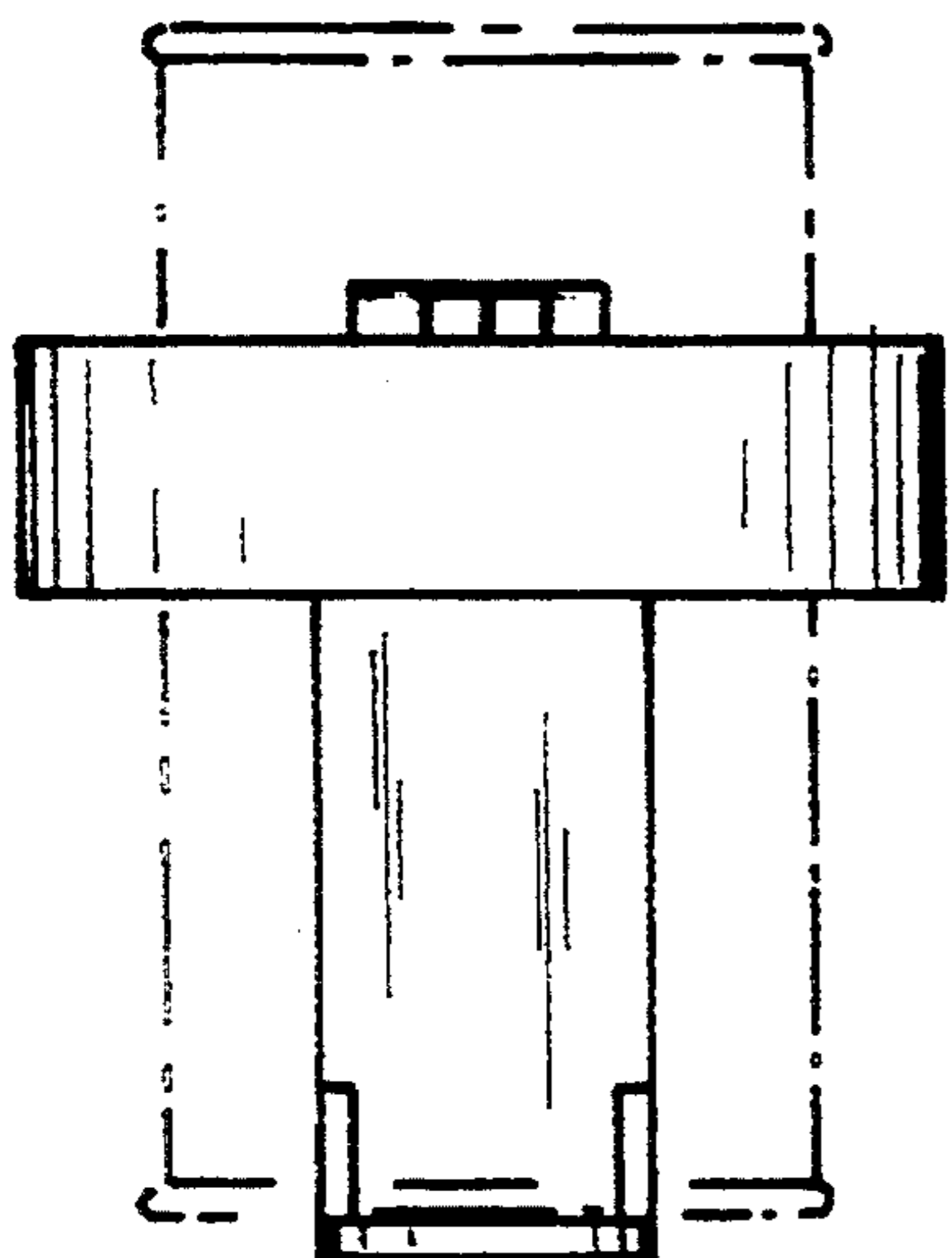


Fig. 3

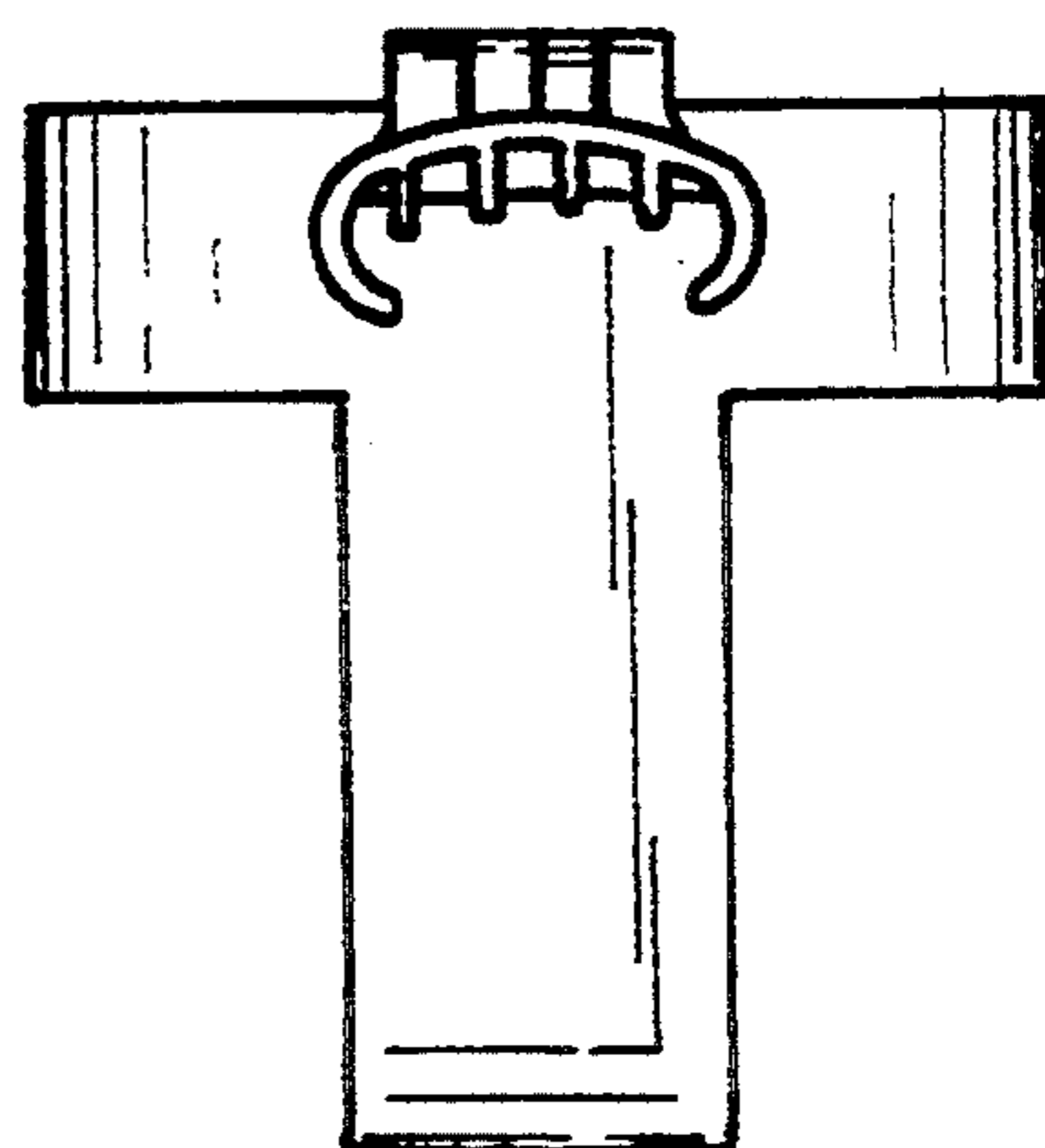


Fig. 5

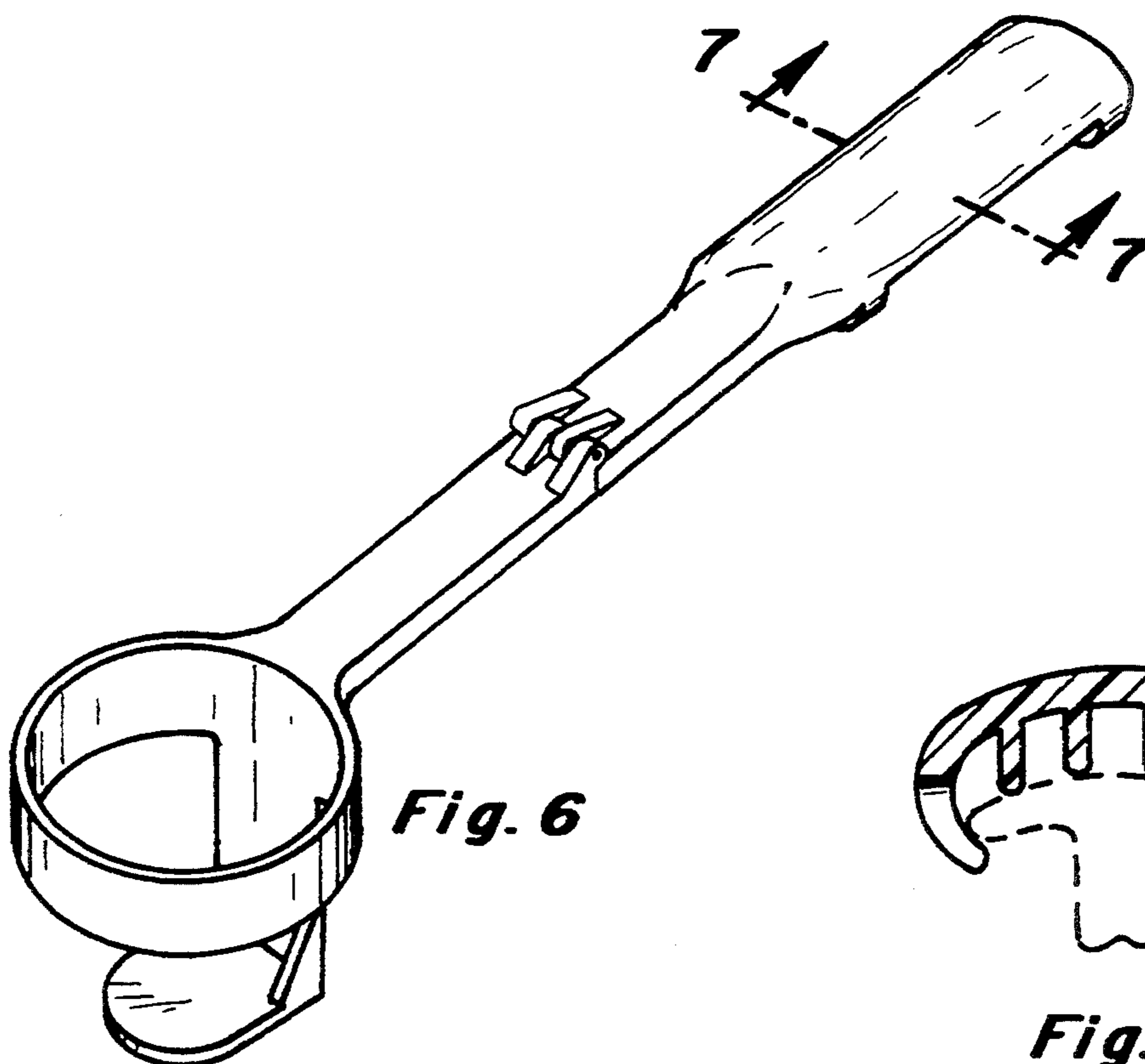


Fig. 6

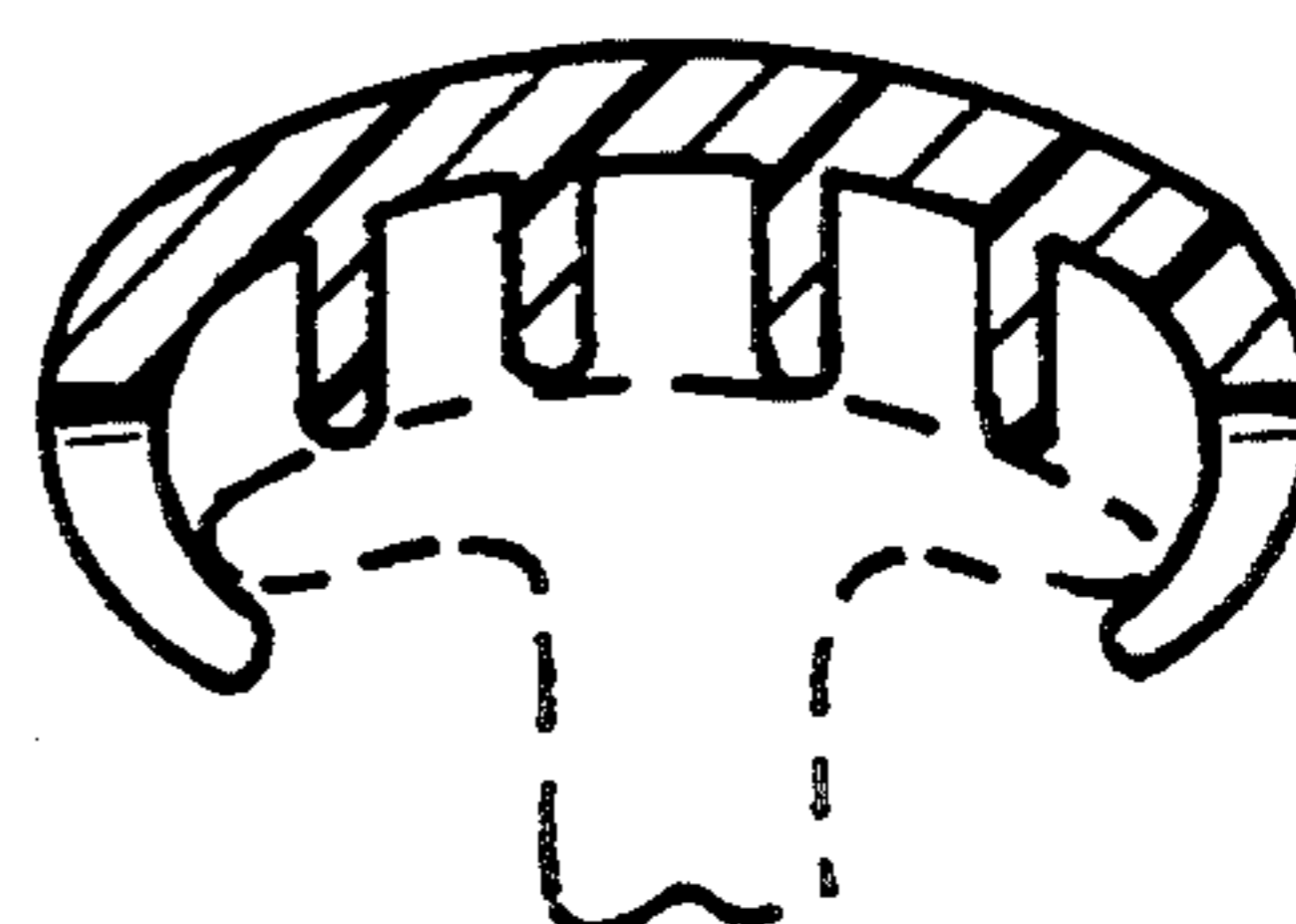


Fig. 7

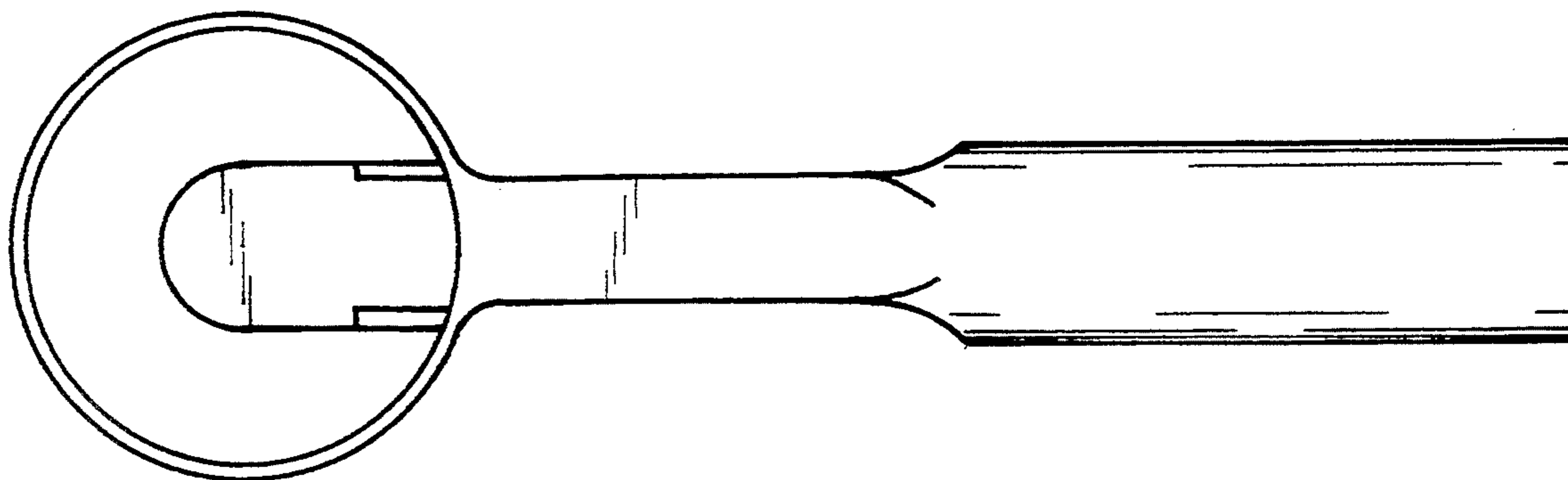


Fig. 8

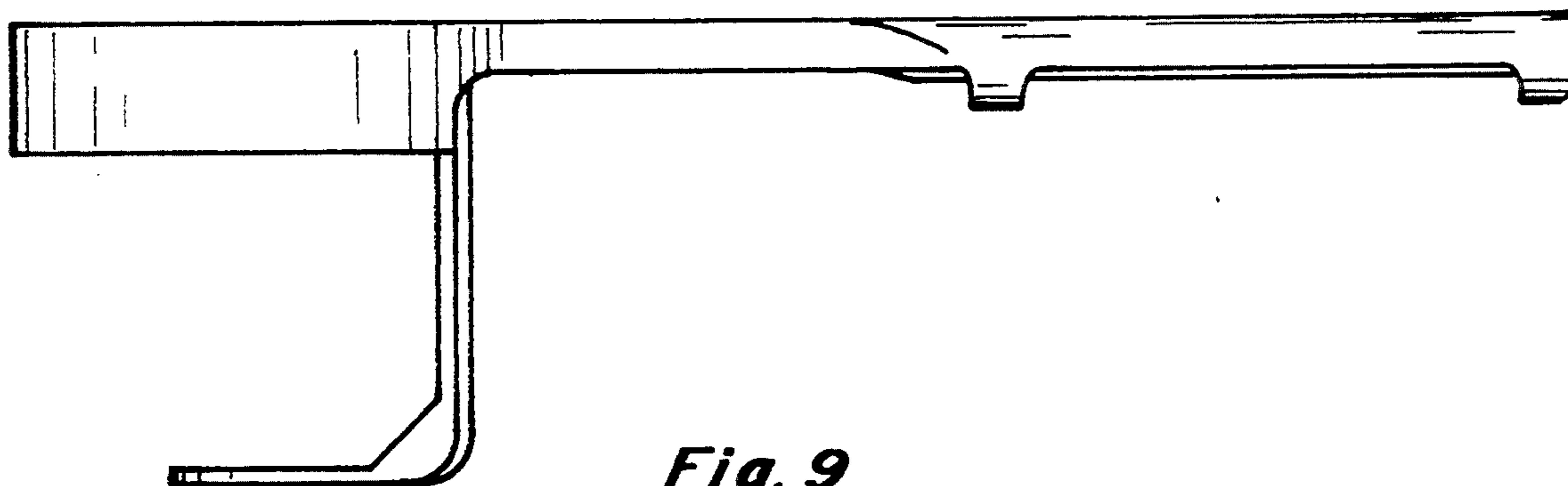


Fig. 9

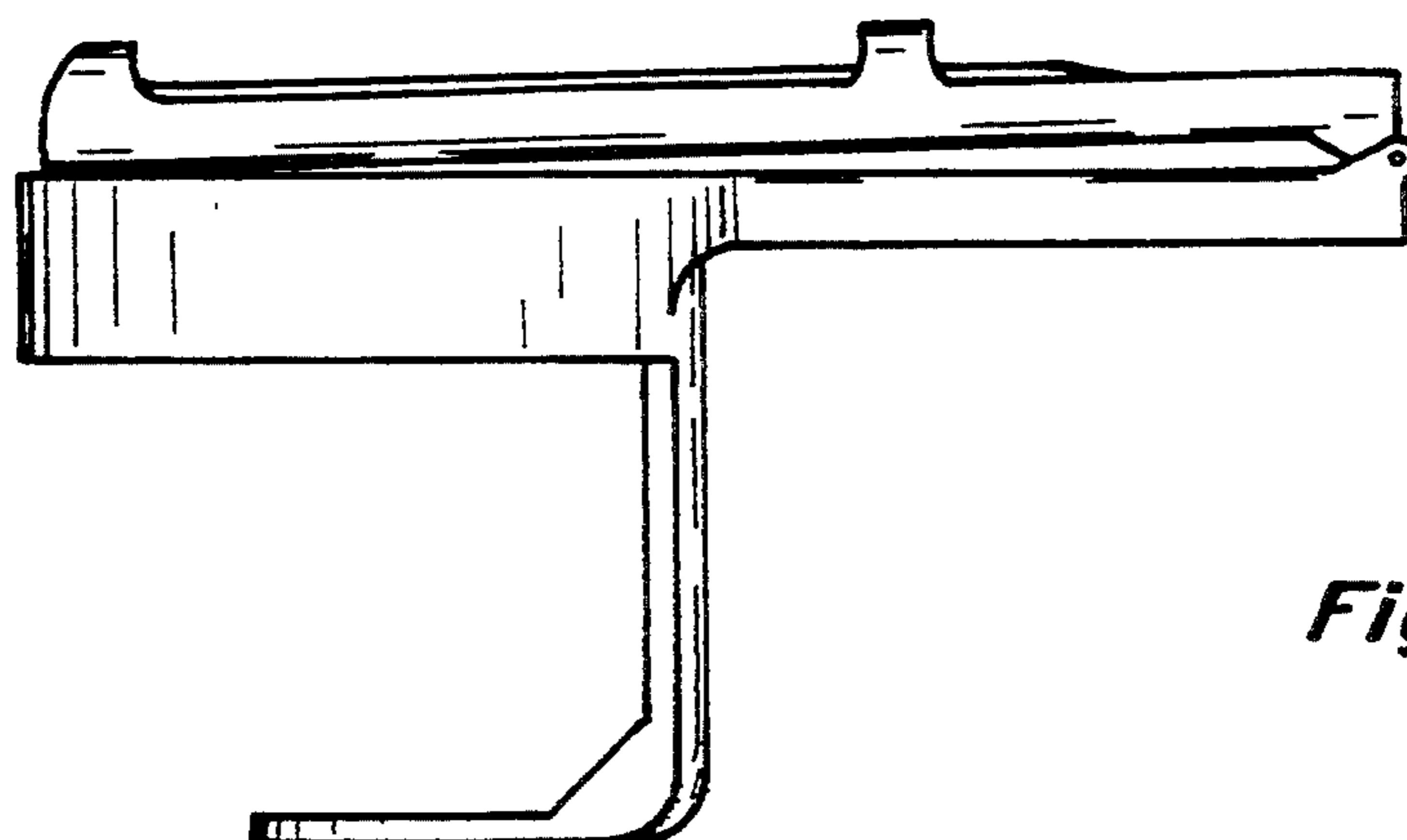


Fig. 10