



US00D361473S

# United States Patent [19]

Brundin et al.

[11] Patent Number: **Des. 361,473**

[45] Date of Patent: **\*\* Aug. 22, 1995**

[54] **COMBINED NUT CRACKER AND NUT/SHELL CONTAINER**

[76] Inventors: **Linda G. Brundin; Eric K. Brundin**, both of #3 2204 Carpenter Street, Clearbrook, British Columbia, Canada

[\*\*] Term: **14 Years**

[21] Appl. No.: **25,349**

[22] Filed: **Jun. 30, 1994**

[52] U.S. Cl. .... **D7/508**

[58] Field of Search ..... **D7/508, 680; 30/120.1-120.5; 100/234**

[56] **References Cited**

**U.S. PATENT DOCUMENTS**

- D. 158,932 6/1950 Carlson ..... D7/680 X
- D. 191,987 12/1961 Baker ..... D7/680 X
- 5,174,026 12/1992 Writt ..... 30/120.2

*Primary Examiner*—Terry A. Wallace  
*Attorney, Agent, or Firm*—Hughes, Multer and Schacht

[57] **CLAIM**

The ornamental design for combined nut cracker and nut/shell container, as shown and described.

**DESCRIPTION**

FIG. 1 is a perspective view of a combined nut cracker and nut/shell container showing our new design;  
 FIG. 2 is a top plan view thereof;  
 FIG. 3 is a right side elevation view thereof, the opposite side being a mirror image;  
 FIG. 4 is a front elevation view thereof;  
 FIG. 5 is a rear elevation view thereof; and,  
 FIG. 6 is a bottom plan view thereof.

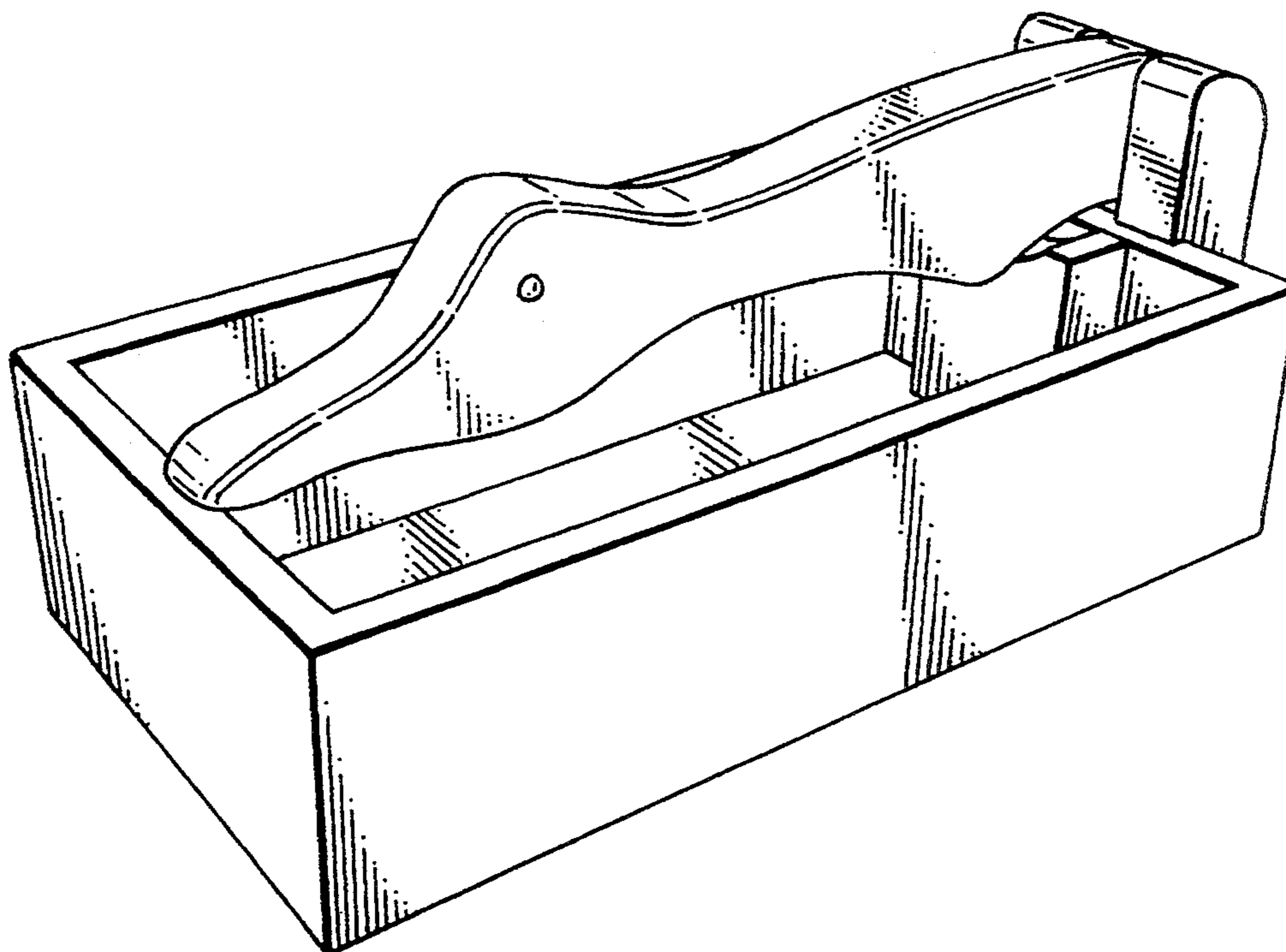


FIG. 1

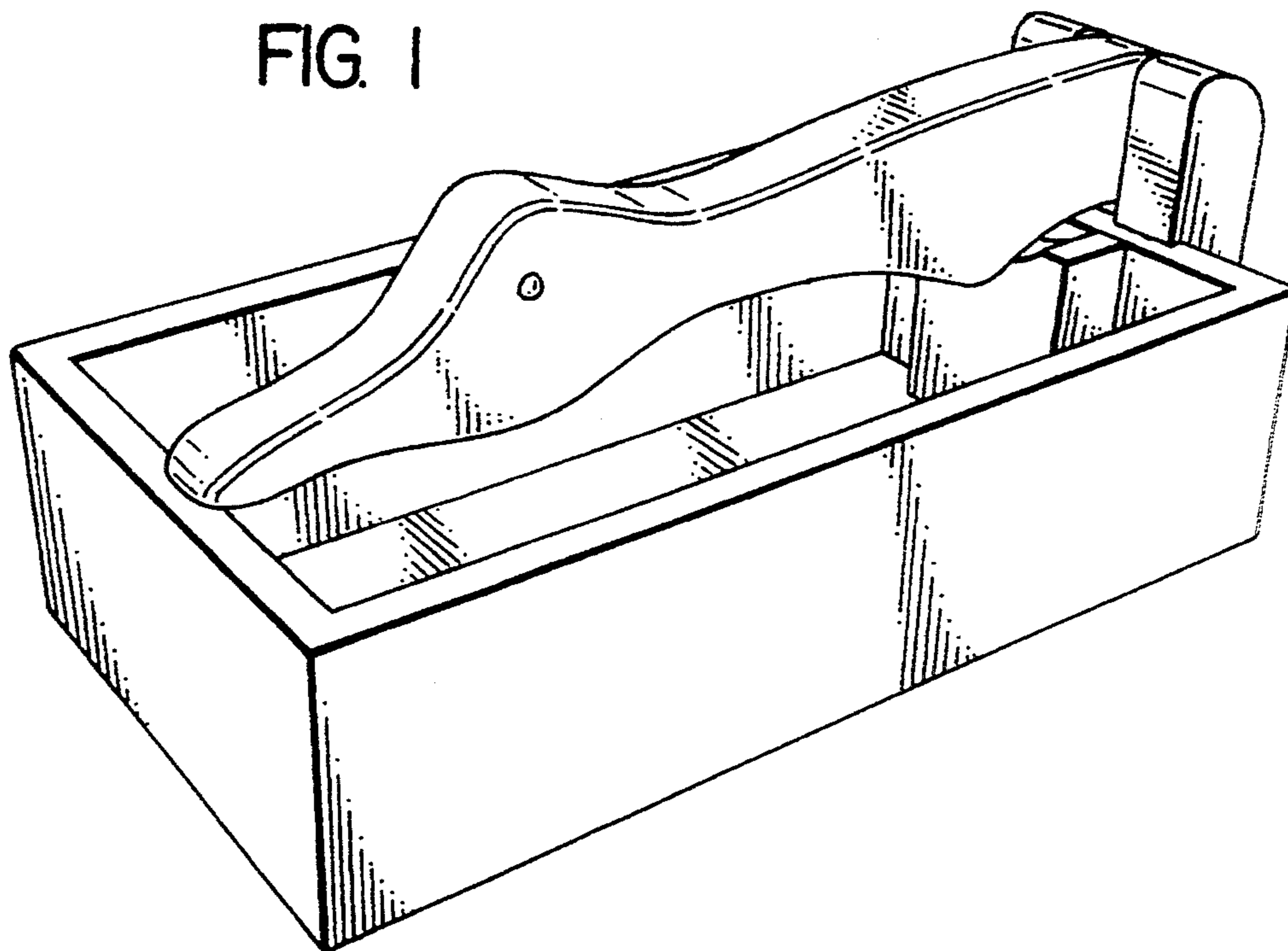


FIG. 2

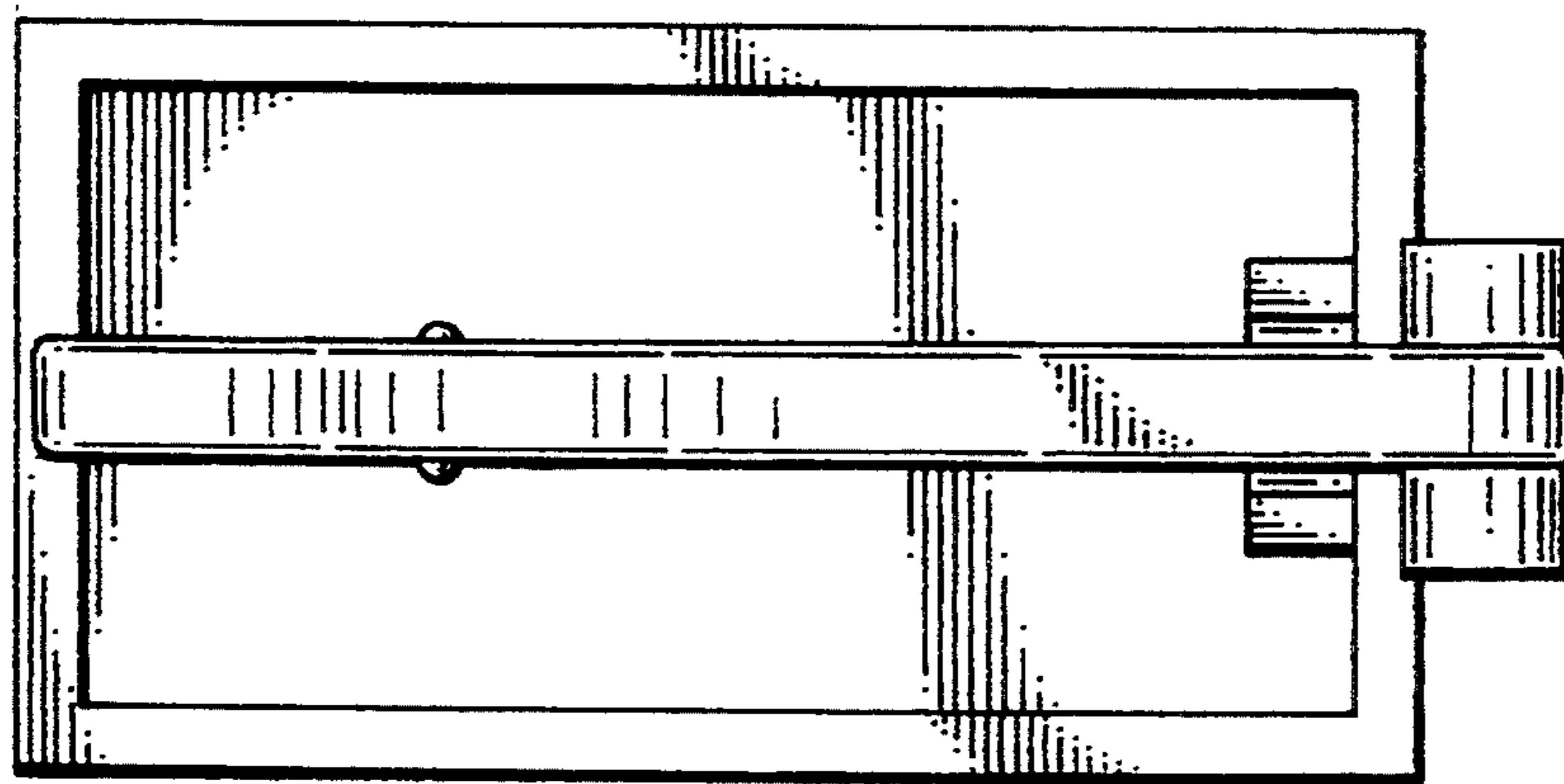


FIG. 3

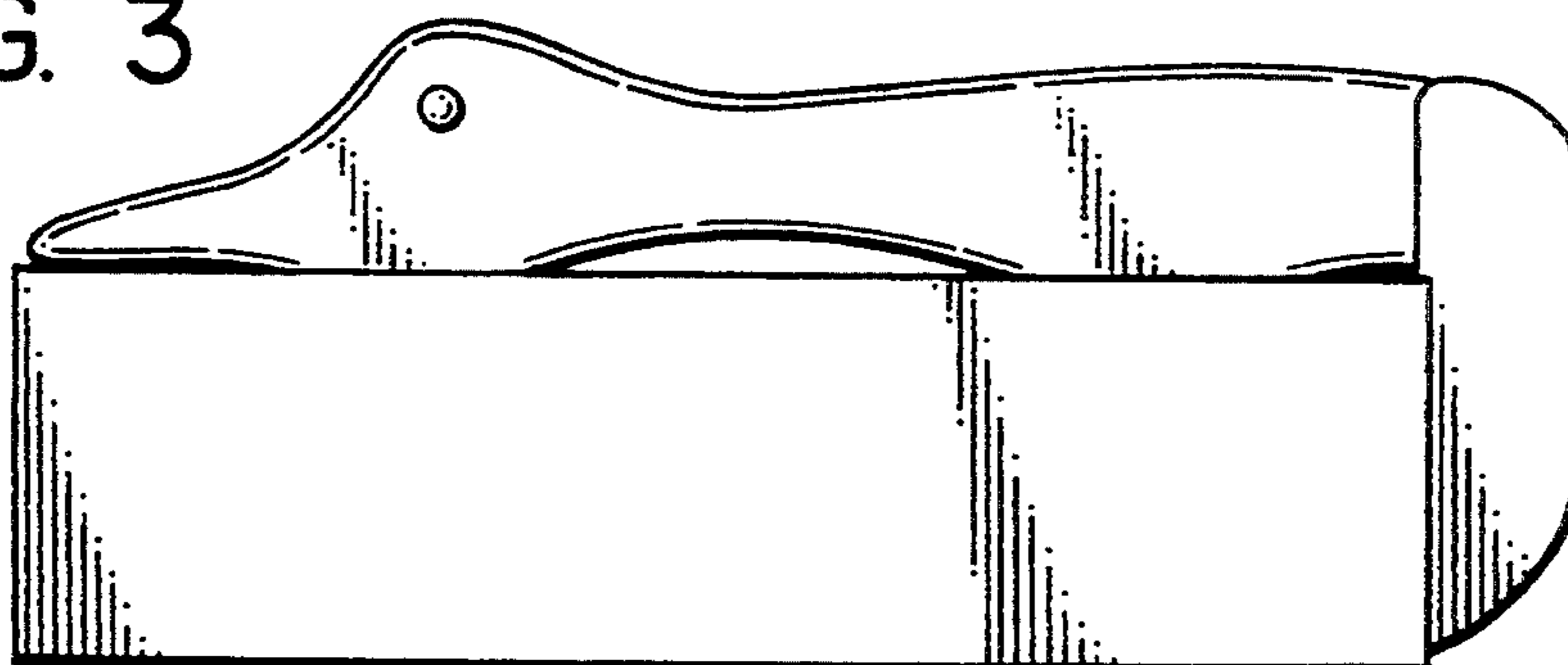


FIG. 4

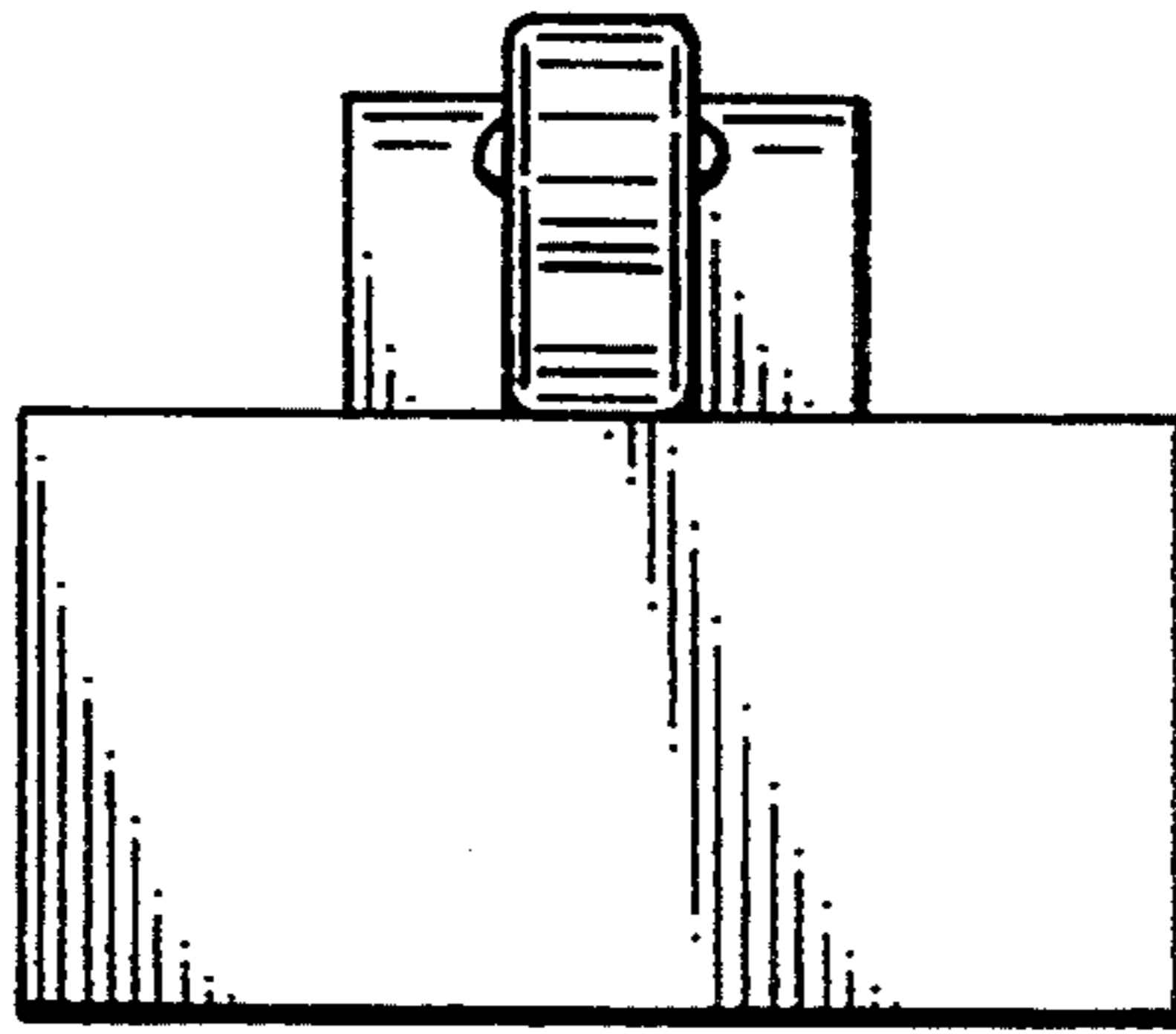


FIG. 5

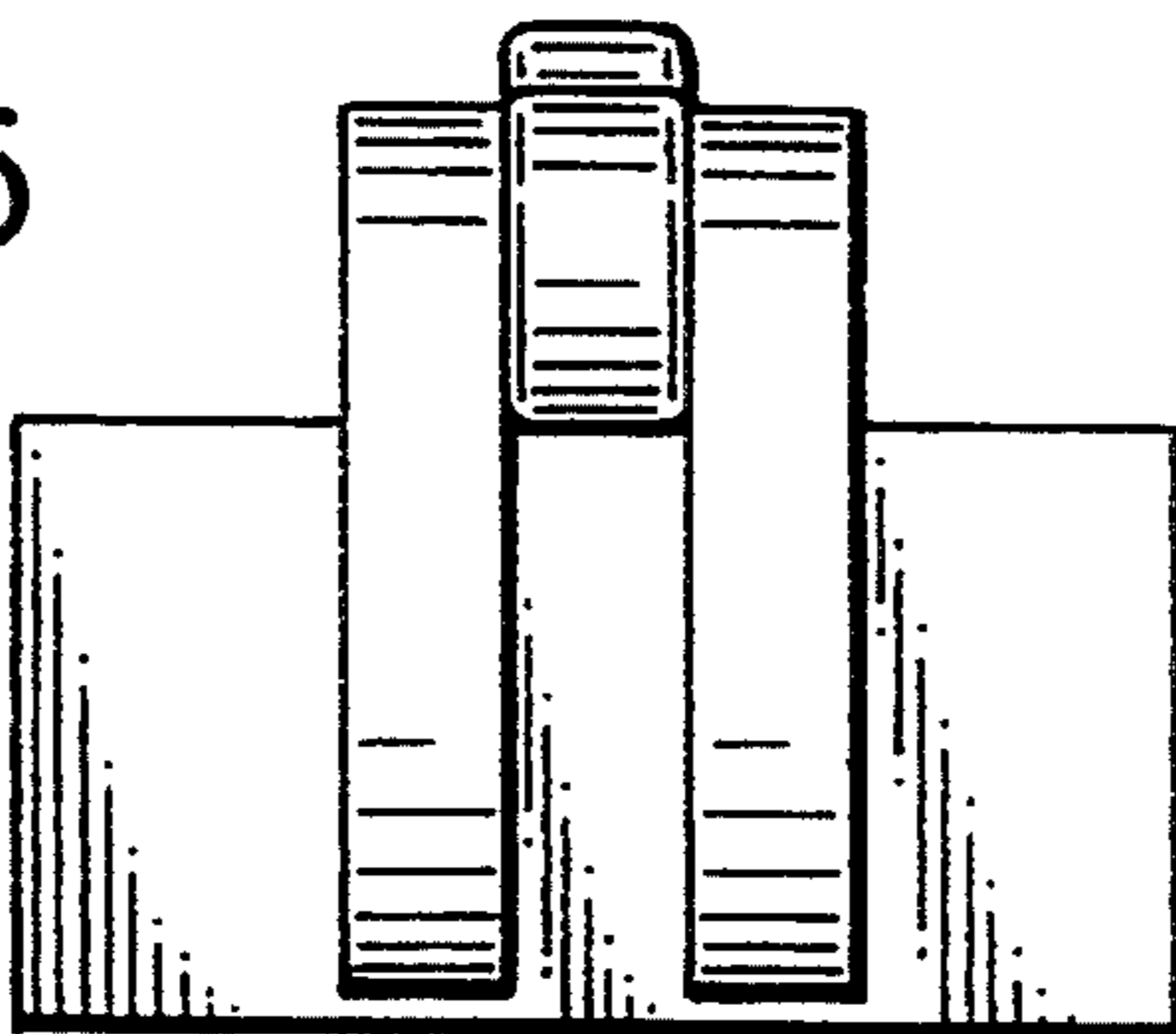


FIG. 6

