



US00D361467S

# United States Patent [19]

**Kabayama**

[11] **Patent Number: Des. 361,467**

[45] **Date of Patent: \*\* Aug. 22, 1995**

[54] **COMBINED GRILL AND TABLE**

[76] **Inventor: Yoshio Kabayama, 5413 N. Sayre Ave., Chicago, Ill. 60656**

[\*\*] **Term: 14 Years**

[21] **Appl. No.: 17,295**

[22] **Filed: Jan. 7, 1994**

[52] **U.S. Cl. .... D7/334**

[58] **Field of Search .... D7/332, 334-337, D7/339, 402-403; D6/480, 429; 108/50; 126/50, 25 R, 25 A, 25 AA, 29-30, 9 R, 9 B, 38, 39 B, 39 E, 39 H, 40; 99/450, 449**

4,840,128 6/1989 McFarlane et al. .... 108/50  
 5,183,027 2/1993 Saldana ..... 126/25 R

*Primary Examiner*—Ruth McInroy  
*Attorney, Agent, or Firm*—Gardner, Carton & Douglas

### [57] CLAIM

The ornamental design for the combined grill and table, as shown and described.

### DESCRIPTION

FIG. 1 is a perspective view of a combined grill and table showing my new design;  
 FIG. 2 is a top plan view thereof;  
 FIG. 3 is a front elevational view thereof;  
 FIG. 4 is a left side elevational view thereof, the opposite side being a mirror image;  
 FIG. 5 is a rear elevational view thereof;  
 FIG. 6 is a bottom plan view thereof; and,  
 FIG. 7 is a perspective view thereof with the cover added.  
 The cover is removed in FIGS. 1-6 for clarity of illustration.

### [56] References Cited

#### U.S. PATENT DOCUMENTS

D.131,939	4/1942	Robinson	.....	D7/332
D. 176,928	2/1956	Puglia et al.	.....	D6/480
D. 253,931	1/1980	De Vischer et al.	.....	D7/332
D. 262,427	12/1981	Boston et al.	.....	D7/334
D. 286,002	10/1986	Brix	.....	D7/332
D. 350,045	8/1994	Stuart	.....	D7/332

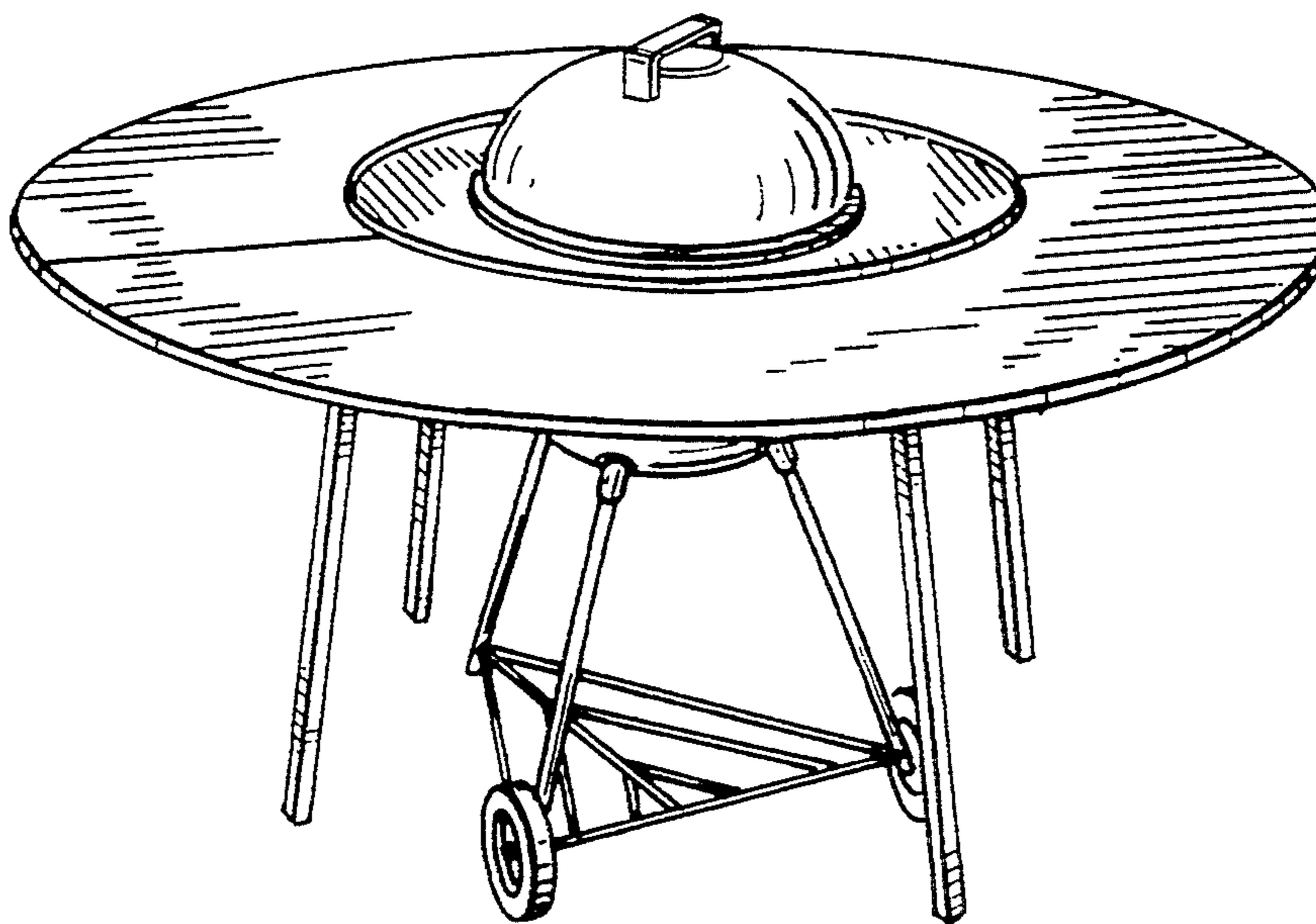


FIG. 1

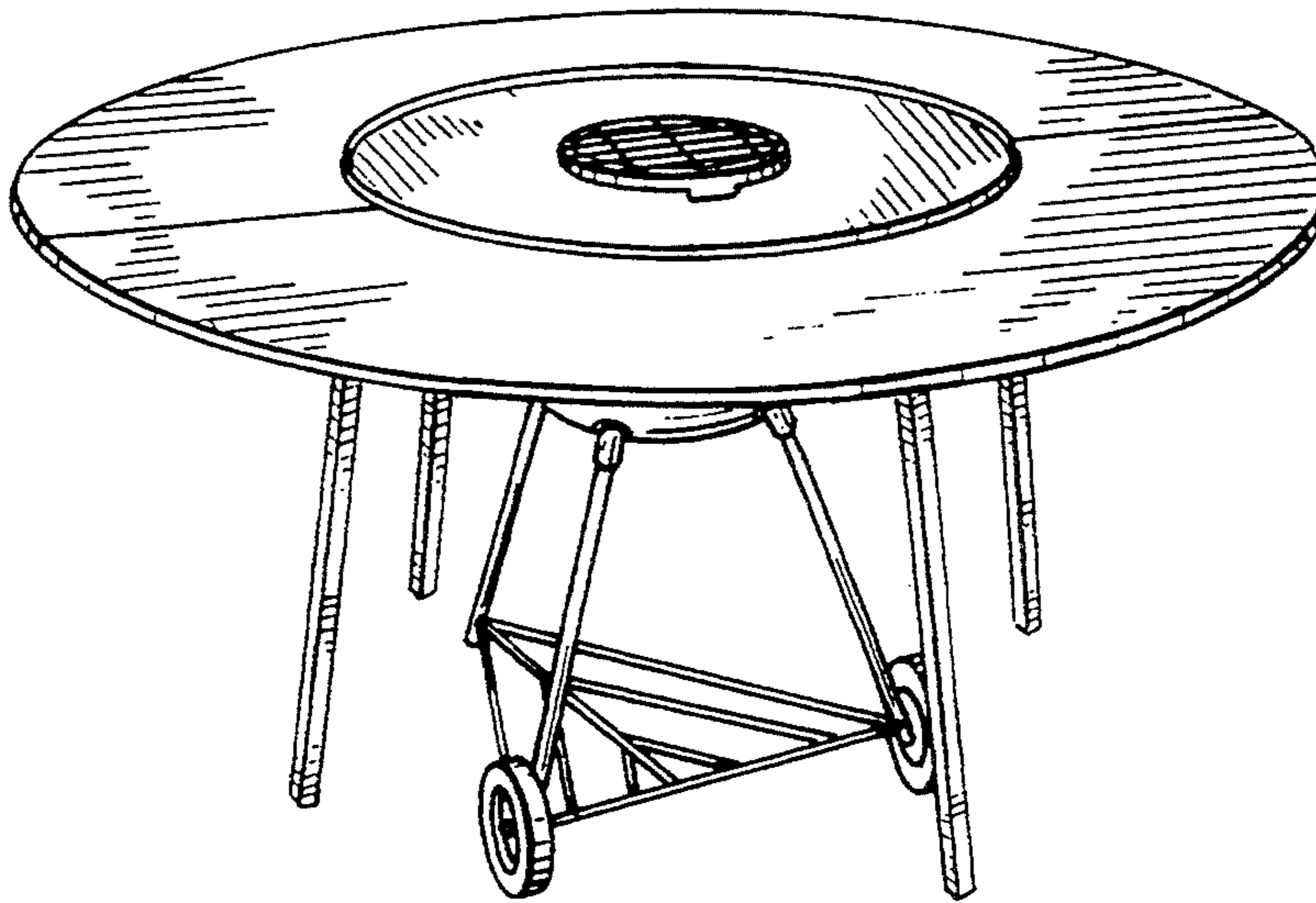


FIG. 2

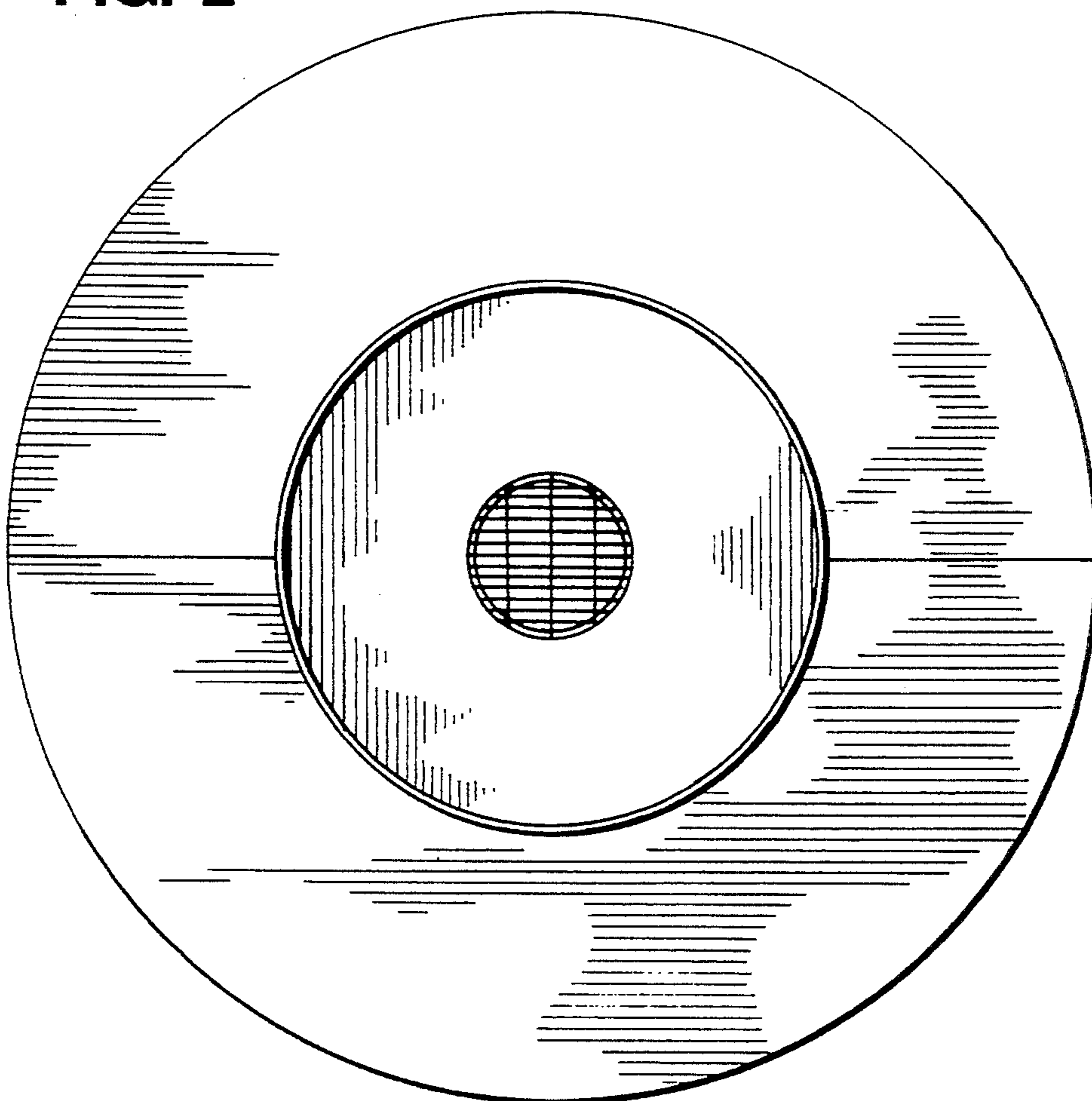


FIG. 3

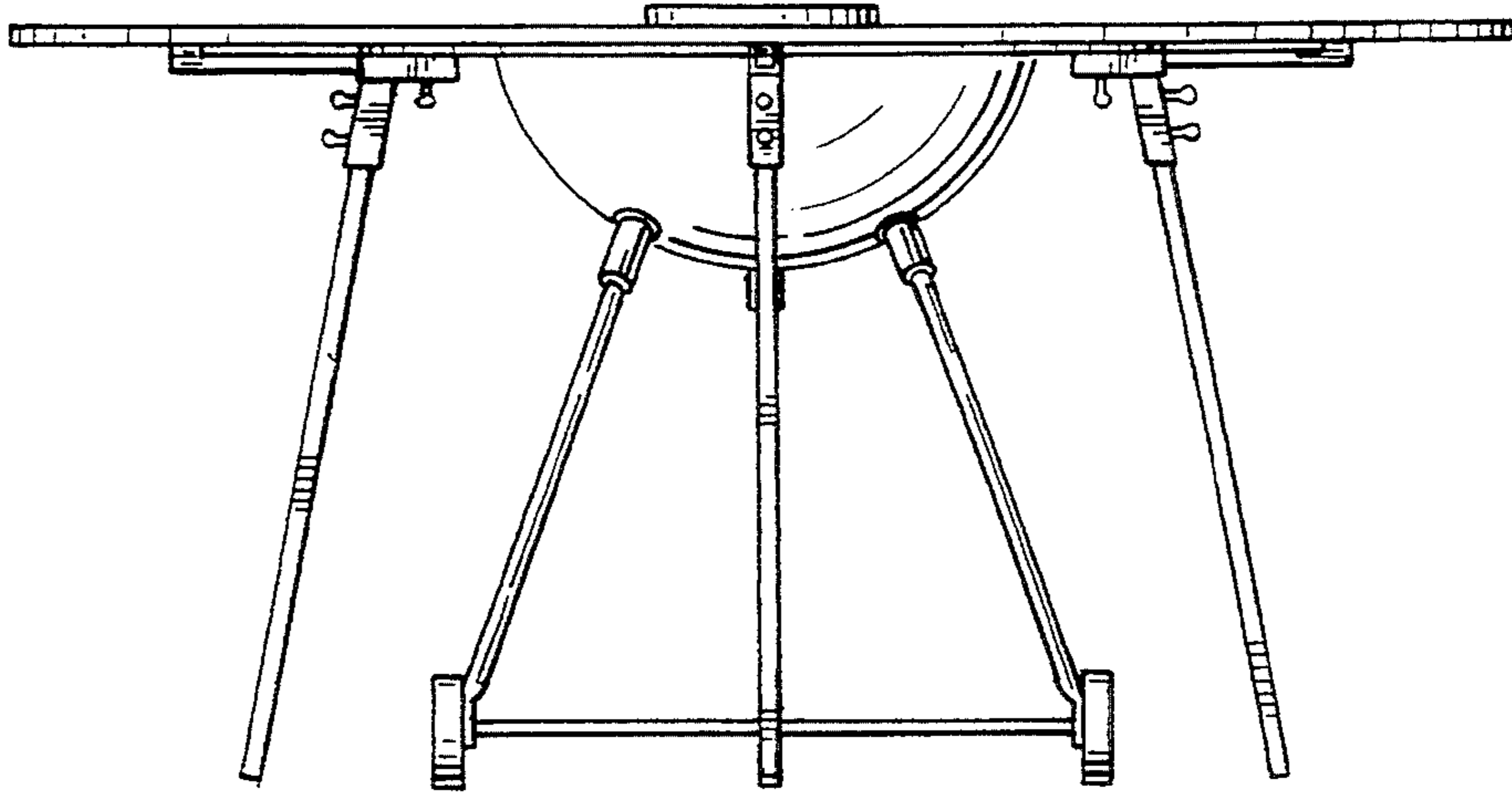


FIG. 4

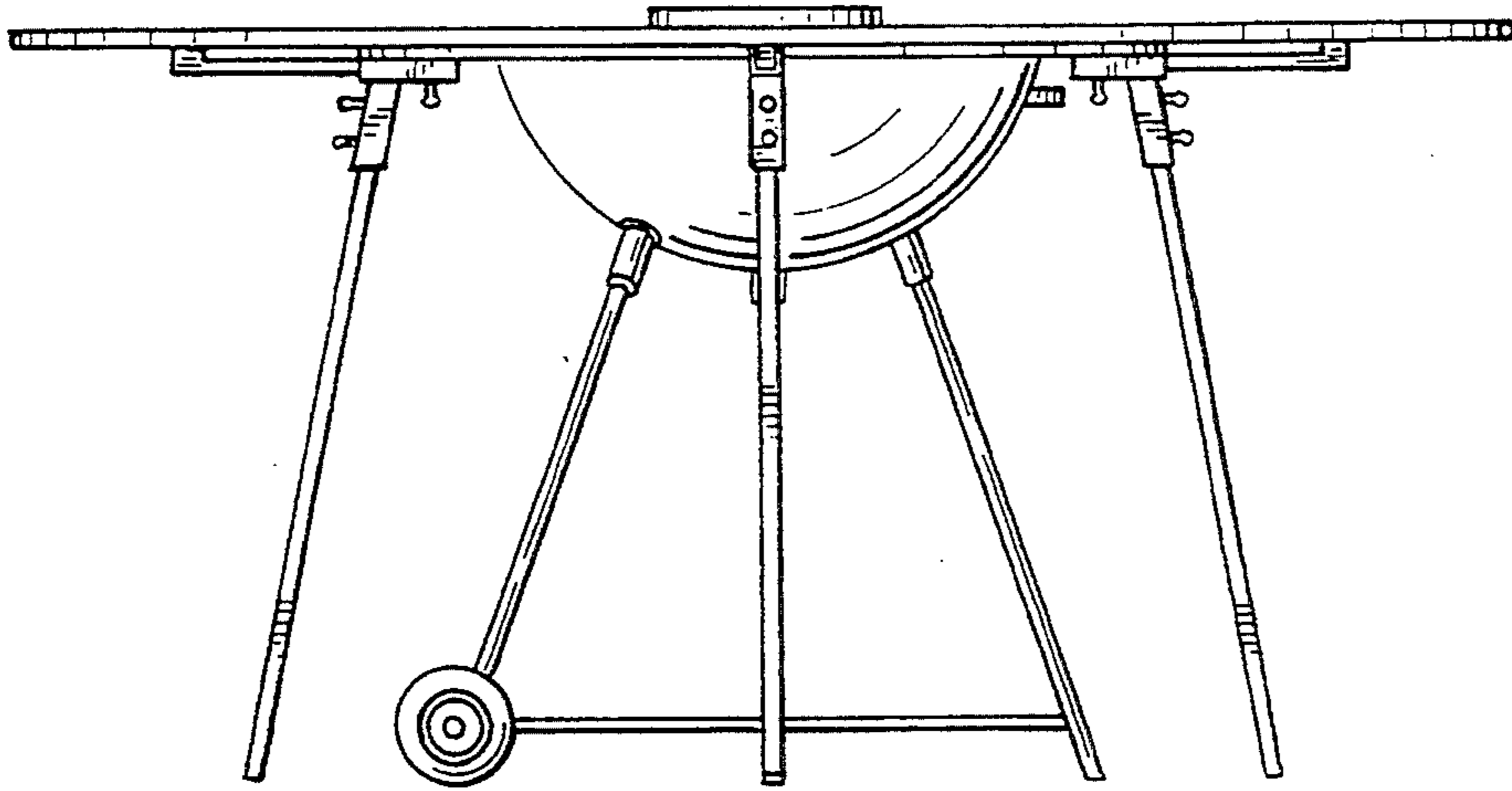


FIG. 5

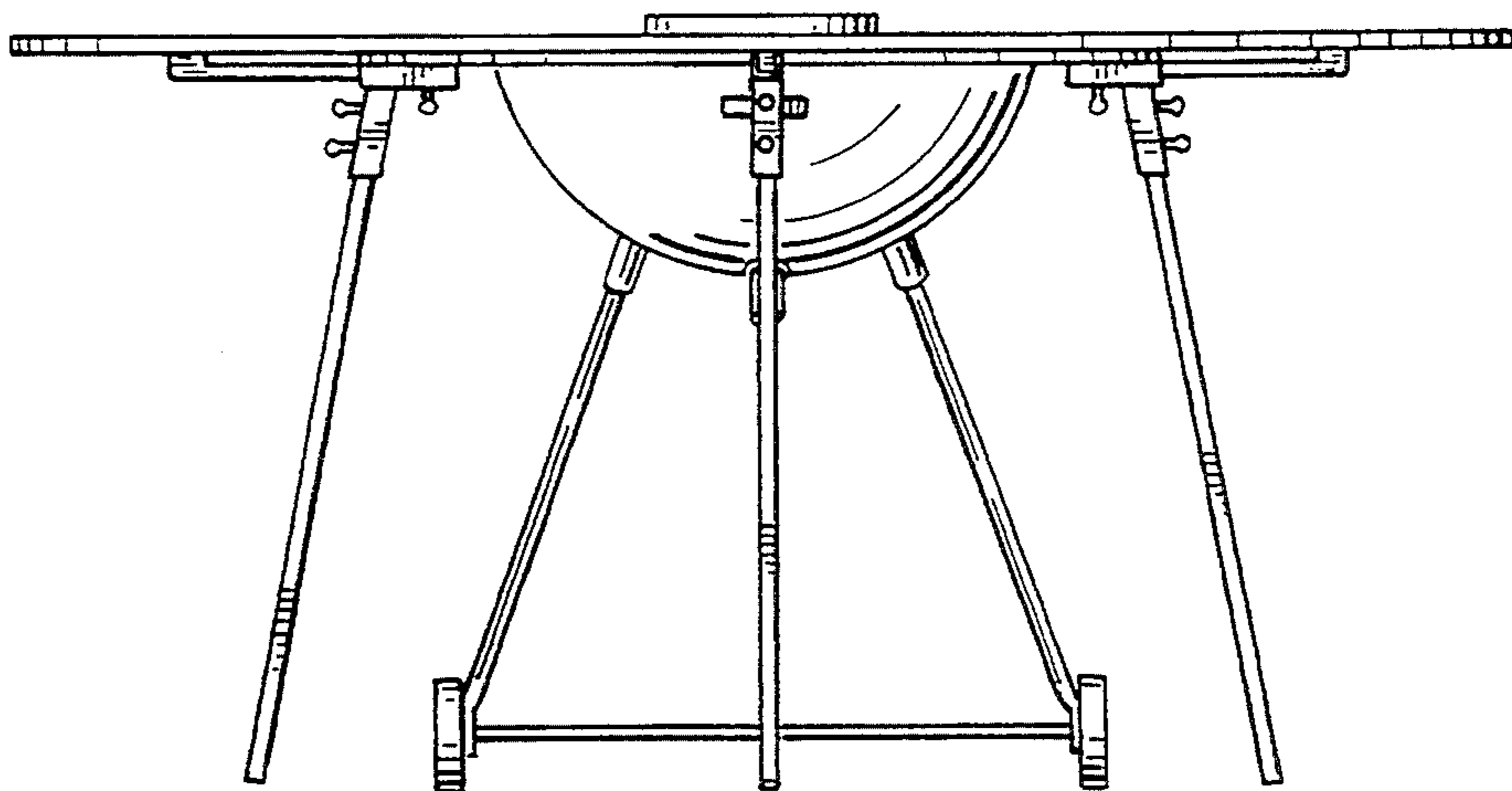


FIG. 6

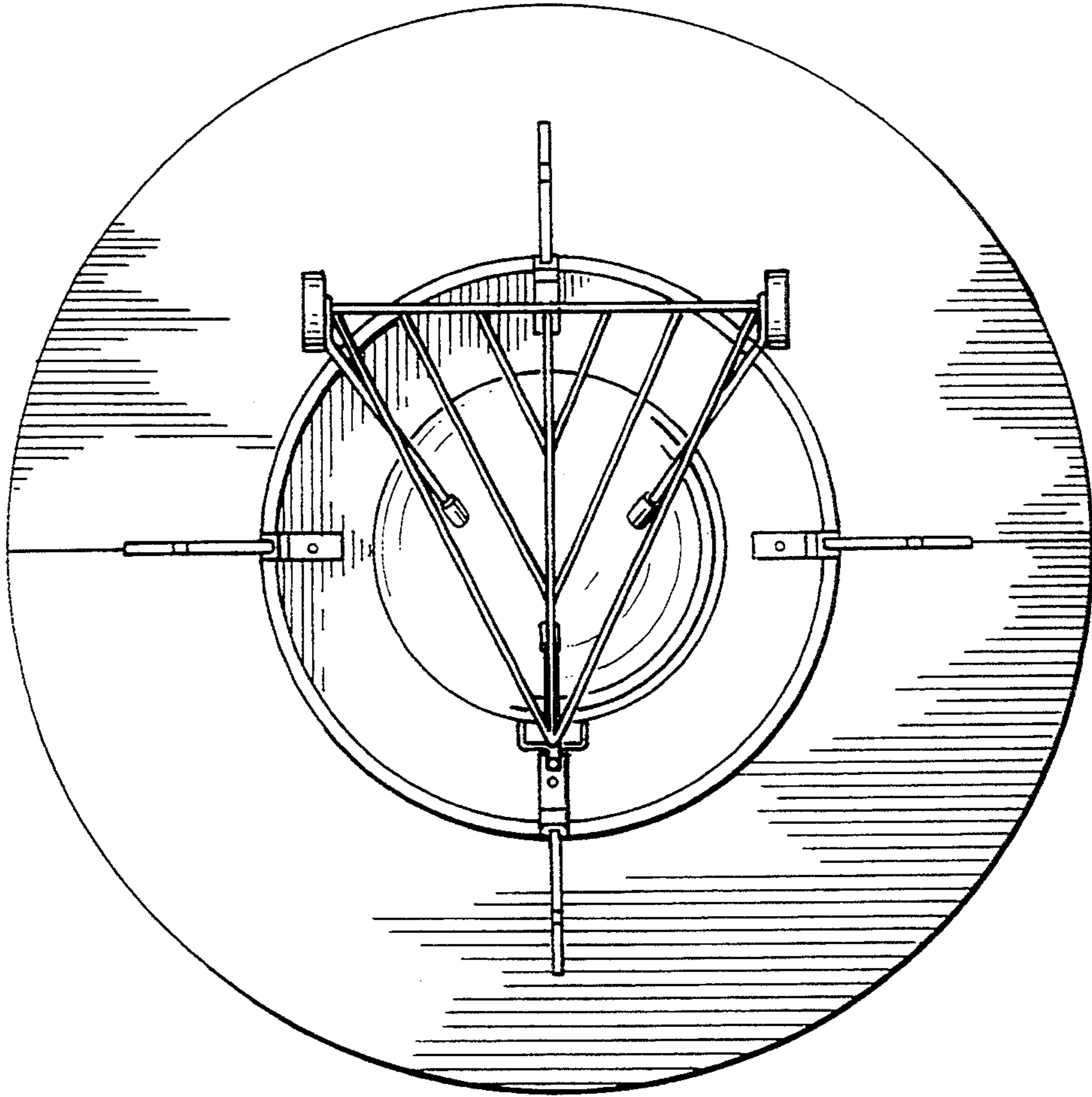


FIG. 7

