



US00D361466S

United States Patent [19]

[11] Patent Number: **Des. 361,466**

Peterson et al.

[45] Date of Patent: **** Aug. 22, 1995**

[54] **BARBECUE GRILL**

[75] Inventors: **Monte L. Peterson**, Barrington;
James M. Fitzgerald, Schaumburg;
Patrick L. Francomb, Galena, all of Ill.;
Greg Breiding, Columbus, Ohio;
Mark Ciesko, Westerville, Ohio;
Andreas Roessner, Columbus, Ohio

[73] Assignee: **The Thermos Company**, Freeport, Ill.

[*] Notice: The portion of the term of this patent subsequent to May 9, 2009 has been disclaimed.

[**] Term: **14 Years**

[21] Appl. No.: **432**

[22] Filed: **Oct. 14, 1992**

[52] U.S. Cl. **D7/334**

[58] Field of Search **D7/331, 332-337, D7/339, 342, 402-403; 126/25 R, 25 A, 25 AA, 29-30, 8, 39 B, 39 BA; 99/419, 421 R, 421 HV, 425**

| | | | |
|------------|---------|----------------------|--------|
| D. 325,318 | 4/1992 | Parent et al. | D7/332 |
| D. 327,390 | 6/1992 | Schlosser et al. . | |
| D. 327,805 | 7/1992 | Parent et al. | D7/332 |
| 3,258,239 | 11/1966 | Drake . | |
| 3,611,915 | 10/1971 | Glaser . | |
| 3,757,671 | 9/1973 | Warhauser . | |
| 3,811,374 | 5/1974 | Mann . | |
| 3,931,805 | 1/1976 | Nelson . | |
| 4,074,675 | 2/1978 | Dailey . | |
| 4,108,142 | 8/1978 | Barson et al. . | |
| 4,331,123 | 5/1982 | Alles et al. . | |
| 4,337,751 | 7/1982 | Sampson et al. . | |
| 4,495,860 | 1/1985 | Hitch et al. . | |
| 4,498,452 | 2/1985 | Schlosser et al. . | |
| 4,635,613 | 1/1987 | Tucker et al. . | |
| 4,886,045 | 12/1989 | Ducate, Jr. et al. . | |
| 4,895,068 | 1/1990 | Hanagran et al. . | |
| 4,966,126 | 10/1990 | Wu . | |
| 5,009,151 | 4/1991 | Hungerford . | |
| 5,050,577 | 9/1991 | Baynes et al. . | |
| 5,072,718 | 12/1991 | Seal . | |
| 5,086,752 | 2/1992 | Hait . | |
| 5,086,753 | 2/1992 | Berger . | |
| 5,088,069 | 2/1992 | Koziol . | |

Primary Examiner—Ruth McInroy
Attorney, Agent, or Firm—Todd S. Parkhurst

[56] **References Cited**

U.S. PATENT DOCUMENTS

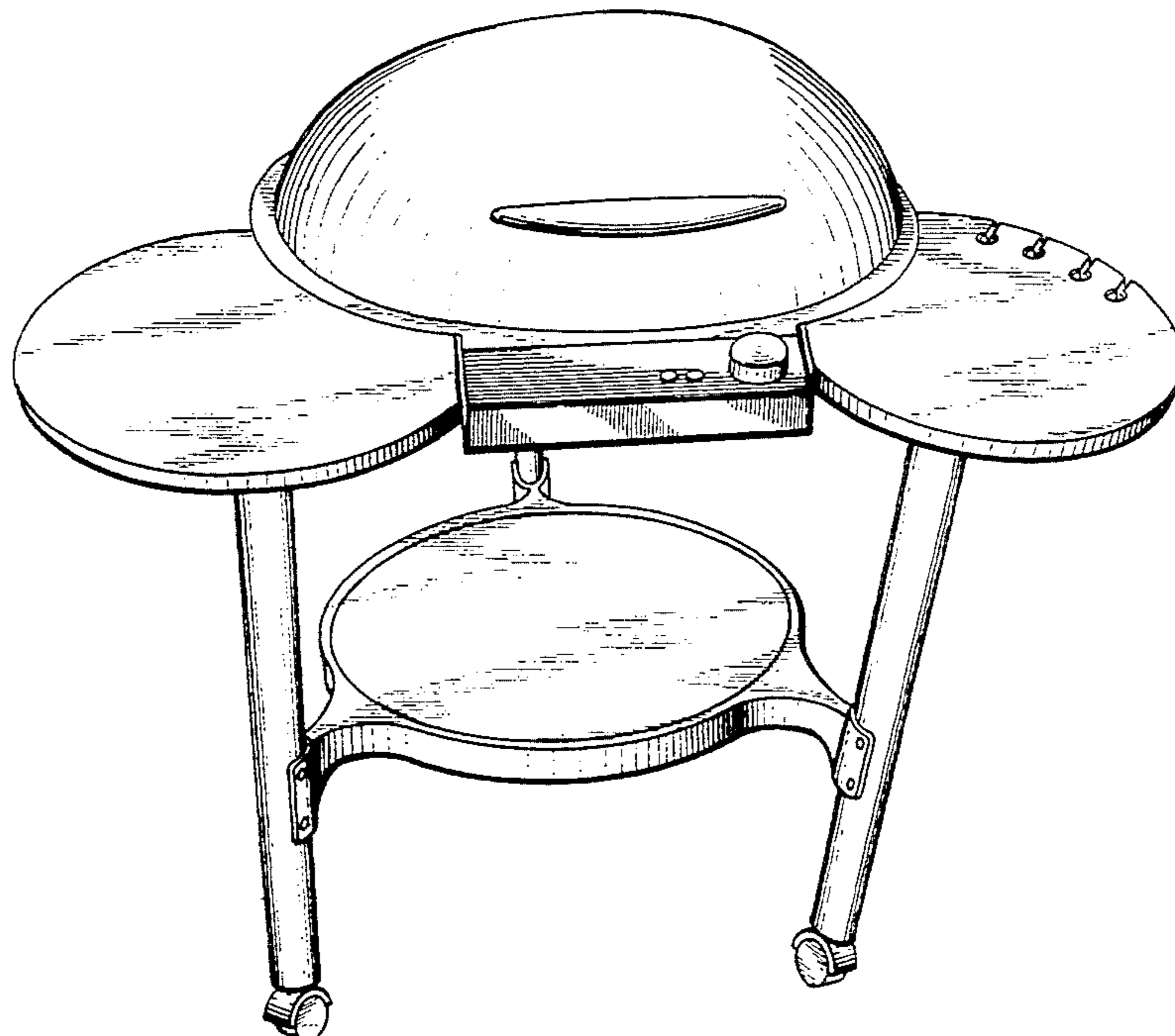
| | | | |
|------------|---------|---------------------|--------|
| D. 172,797 | 8/1954 | Long | D7/334 |
| D. 214,220 | 5/1969 | ver Halen | D7/334 |
| D. 282,619 | 2/1986 | Fitzgerald et al. . | |
| D. 284,443 | 7/1986 | Parlour . | |
| D. 284,929 | 8/1986 | Schlosser et al. . | |
| D. 293,067 | 12/1987 | Stephen et al. . | |
| D. 314,882 | 2/1991 | Bethel . | |
| D. 315,079 | 3/1991 | Jui-Yen . | |
| D. 316,355 | 4/1991 | Stephen et al. . | |
| D. 325,315 | 4/1992 | Parent et al. | D7/334 |
| D. 325,316 | 5/1992 | Parent et al. | D7/332 |

[57] **CLAIM**

The ornamental design for a barbecue grill, as shown.

DESCRIPTION

FIG. 1 is a perspective view of a barbecue grill showing our new design;
FIG. 2 is a top plan view thereof;
FIG. 3 is a bottom plan view thereof;
FIG. 4 is a right side elevation view thereof;
FIG. 5 is a front elevation view thereof;
FIG. 6 is a left side elevation view thereof; and,
FIG. 7 is a rear elevation view thereof.



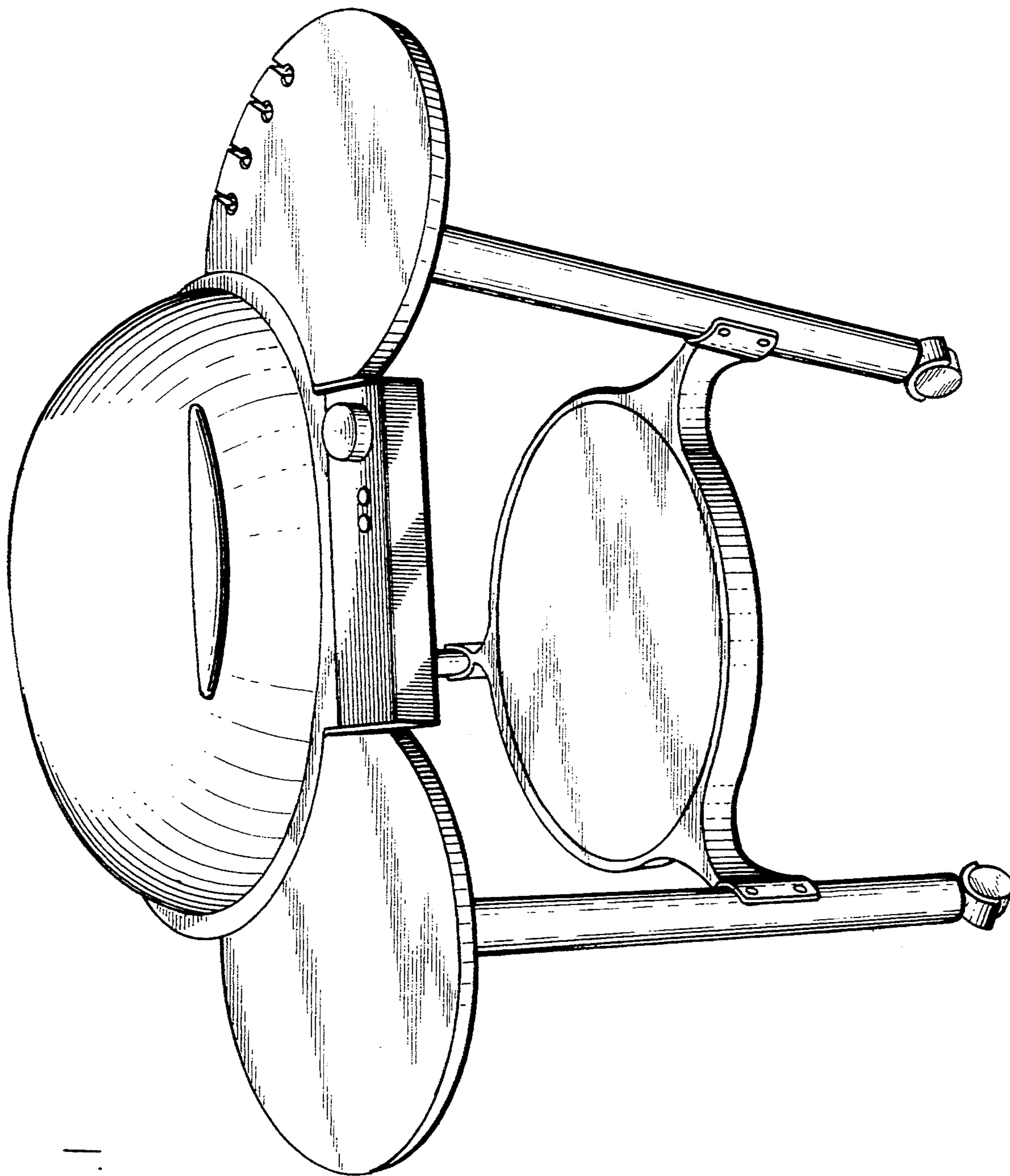


FIG. 1

FIG. 2

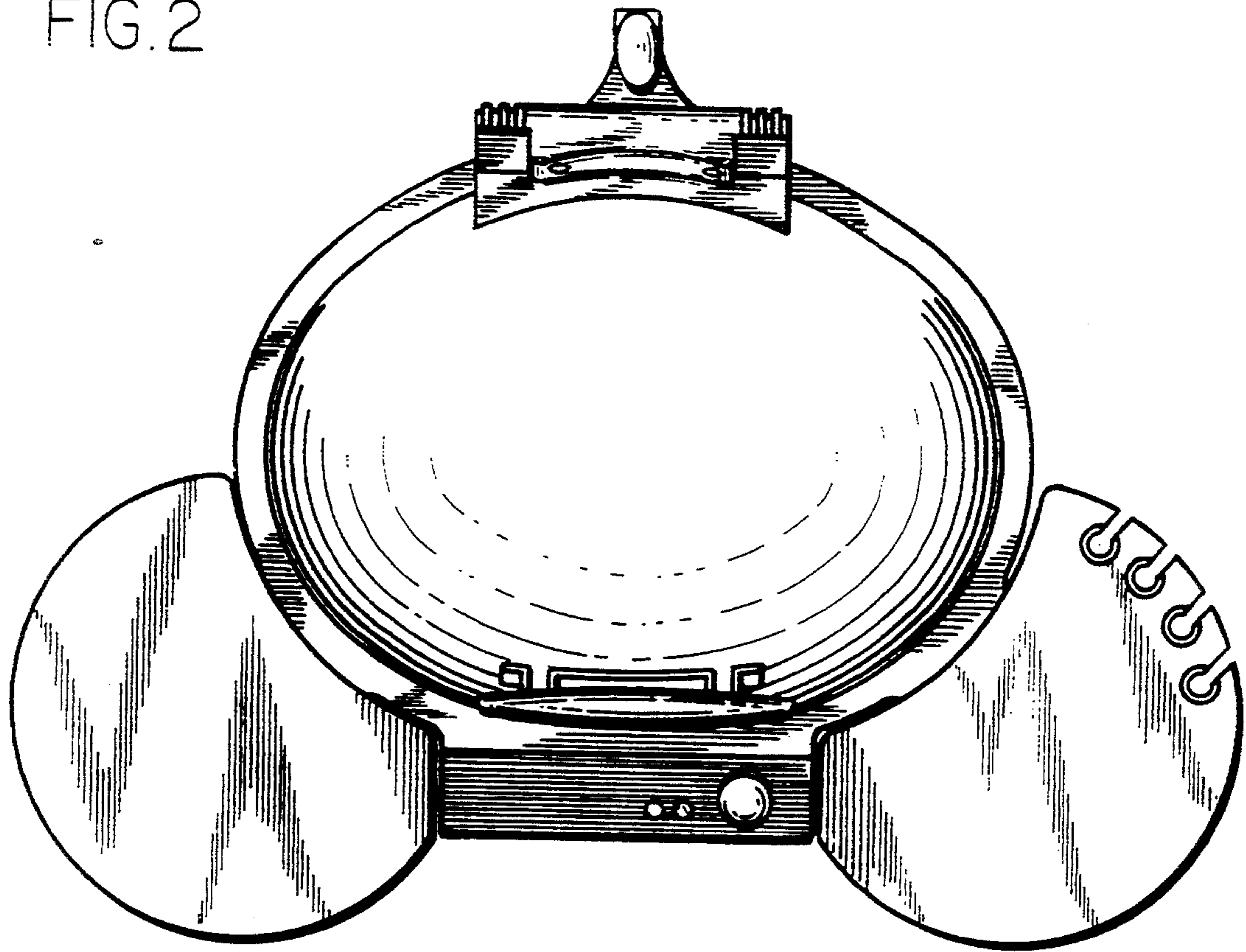


FIG. 3

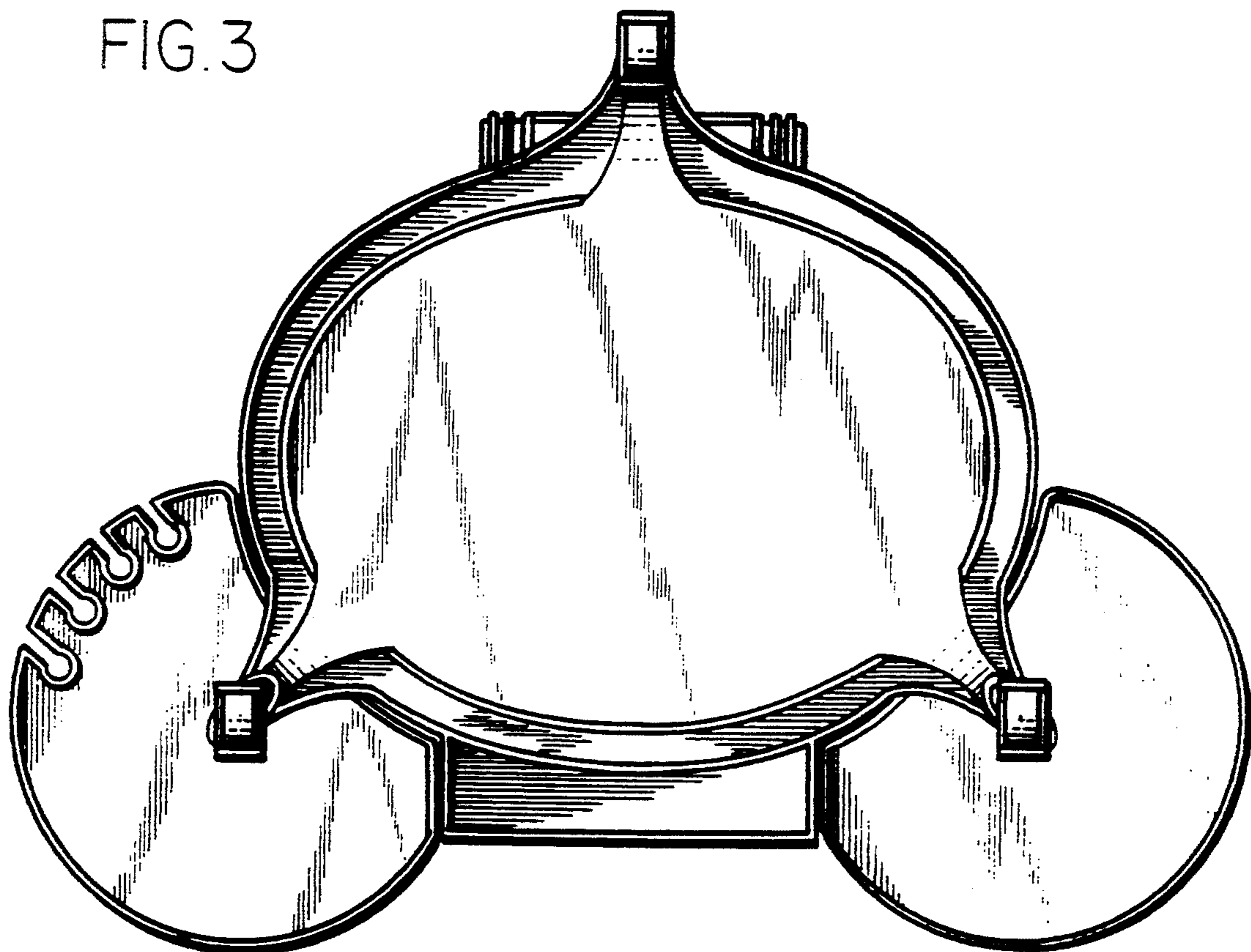


FIG. 5

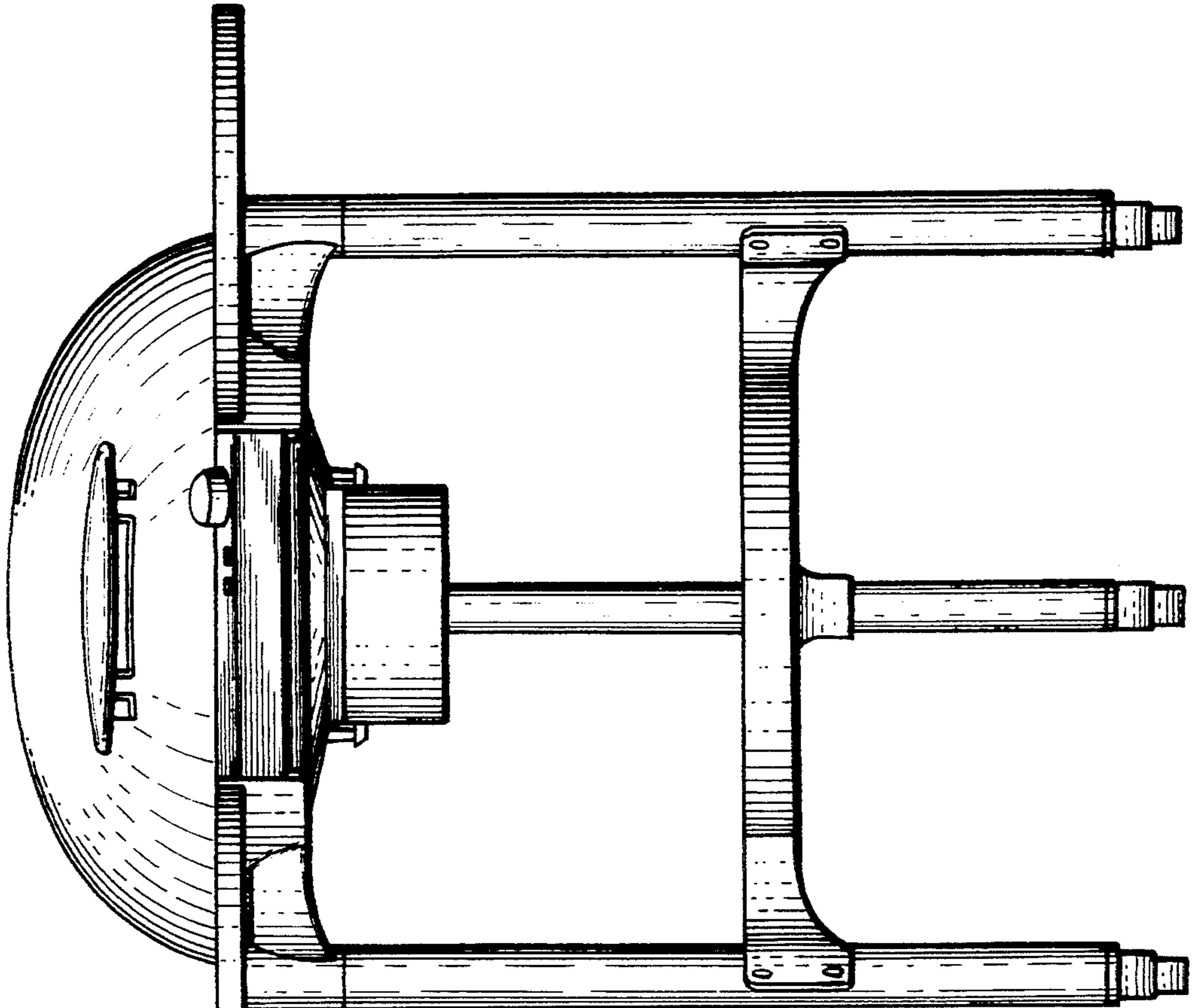


FIG. 4

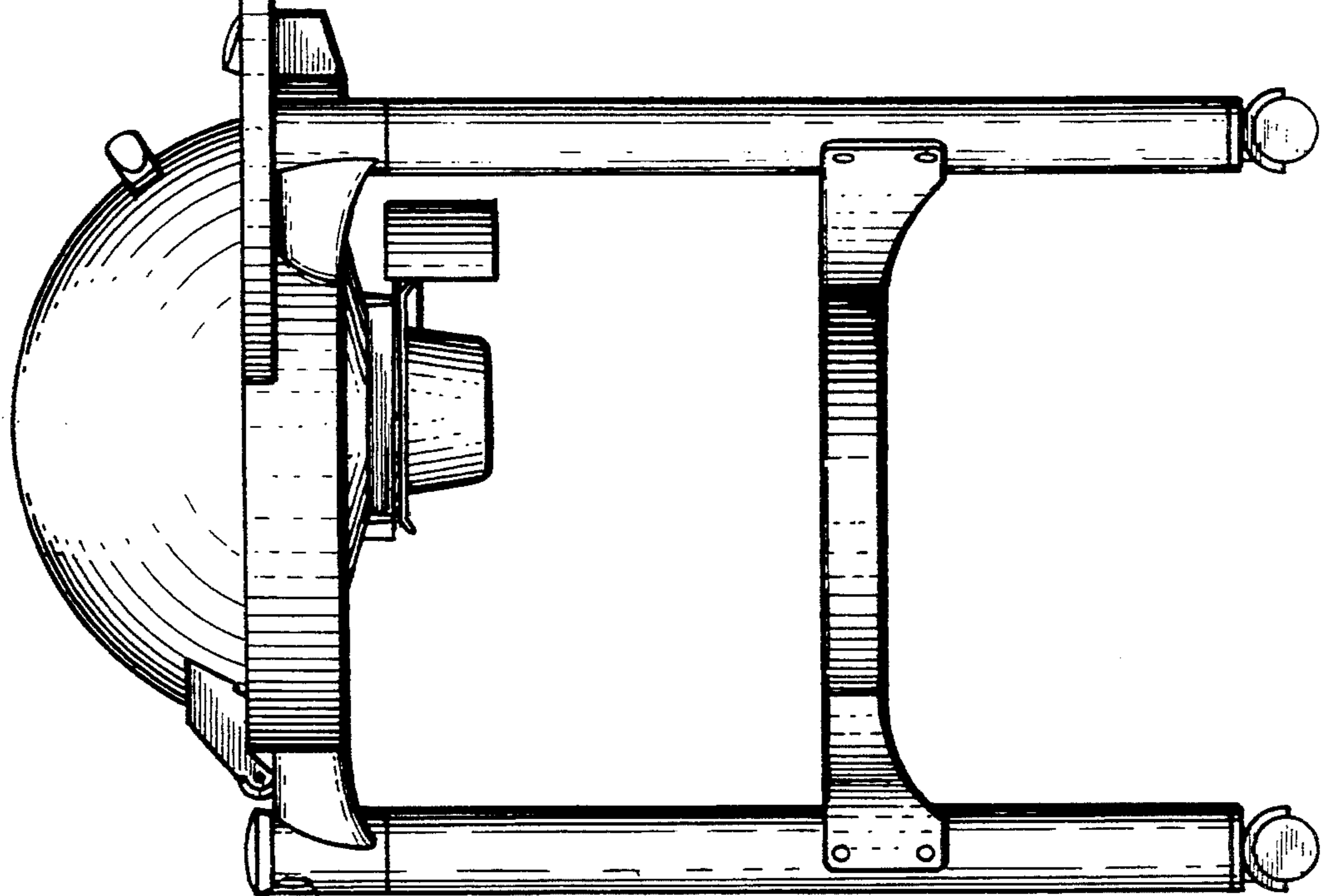


FIG. 7

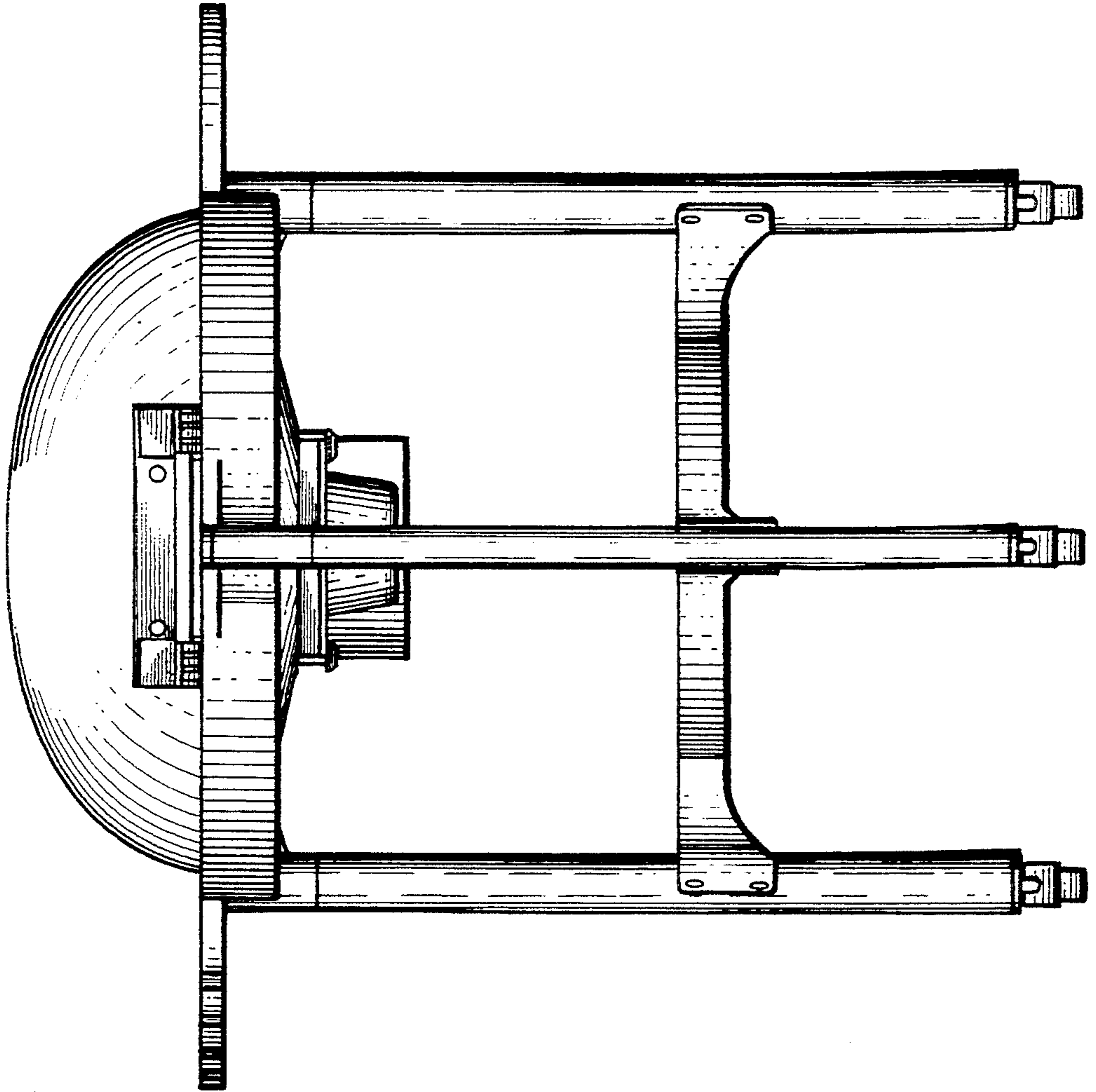


FIG. 6

