



US00D361461S

# United States Patent [19]

Linzenbold

[11] Patent Number: **Des. 361,461**

[45] Date of Patent: **\*\* Aug. 22, 1995**

[54] **BOTTLE HOLDER FOR FLORAL ARRANGEMENTS**

[76] Inventor: **Gary Linzenbold**, 244 Main St., Sharpsville, Pa. 16150

[\*\*] Term: **14 Years**

[21] Appl. No.: **17,835**

[22] Filed: **Jan. 24, 1994**

[52] U.S. Cl. .... **D6/556; D7/620**

[58] Field of Search ..... **D6/552-553, D6/556, 403; D7/620; 211/13-14, 60.1, 86-87, 181; 248/27.8, 309.1, 311.2, 312, 312.1, 314, 317-318**

[56] **References Cited**

**U.S. PATENT DOCUMENTS**

- D. 91,641 2/1934 Wittig ..... D6/556 X
- D. 255,635 7/1980 Valmassei ..... D6/556 X

- D. 266,382 10/1982 Hutchinson ..... D6/556
- D. 342,844 1/1994 Rittenberg ..... D6/566 X
- 2,506,321 5/1950 Vossburgh ..... D6/403 X
- 3,596,859 8/1971 MacDonald ..... D7/620 X
- 4,844,400 7/1989 Jasmagy, Jr. .... 248/311.2

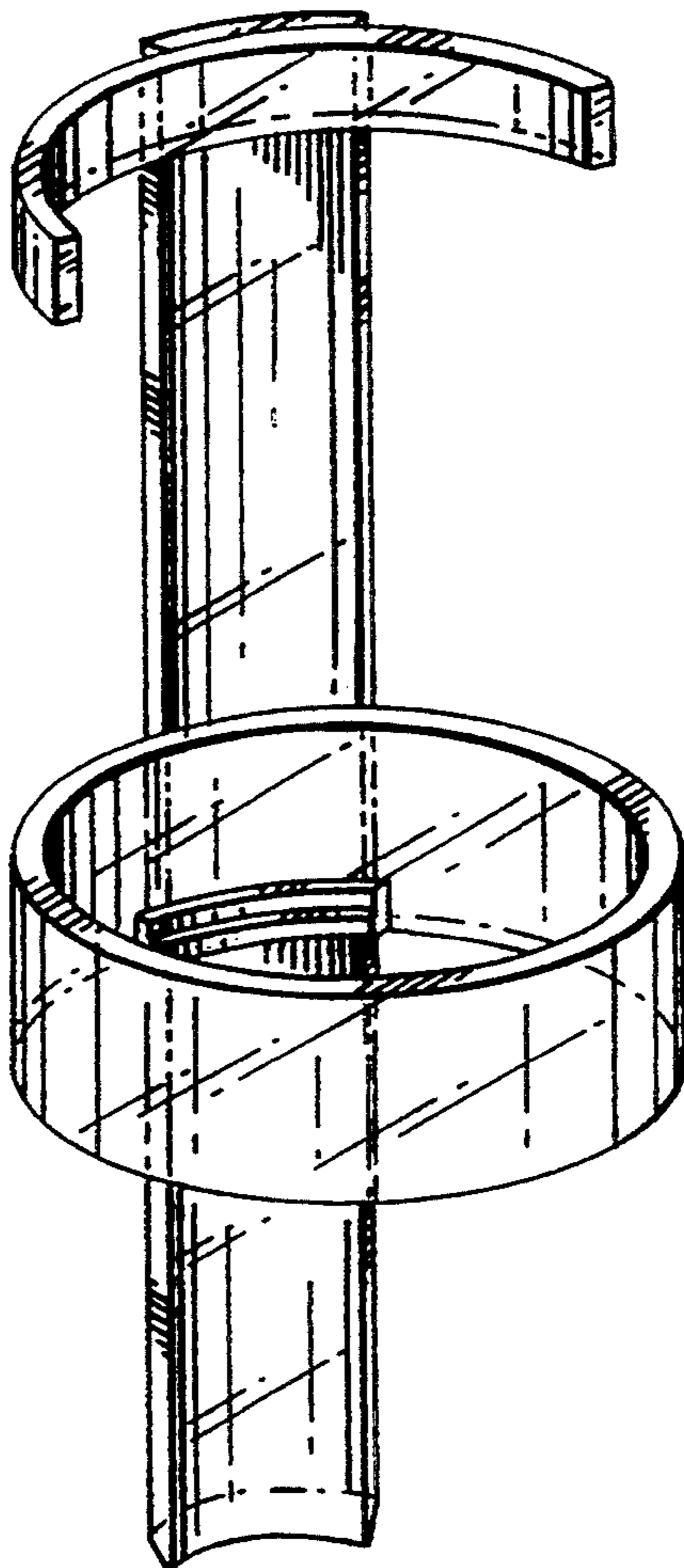
*Primary Examiner*—Brian N. Vinson  
*Attorney, Agent, or Firm*—Harpman & Harpman

[57] **CLAIM**

The ornamental design for a bottle holder for floral arrangements.

**DESCRIPTION**

FIG. 1 is a perspective view of the bottle holder for floral arrangements;  
 FIG. 2 is a front plan view thereof;  
 FIG. 3 is a side view thereof;  
 FIG. 4 is a back plan view;  
 FIG. 5 is a top plan view thereof; and,  
 FIG. 6 is a bottom plan view thereof.



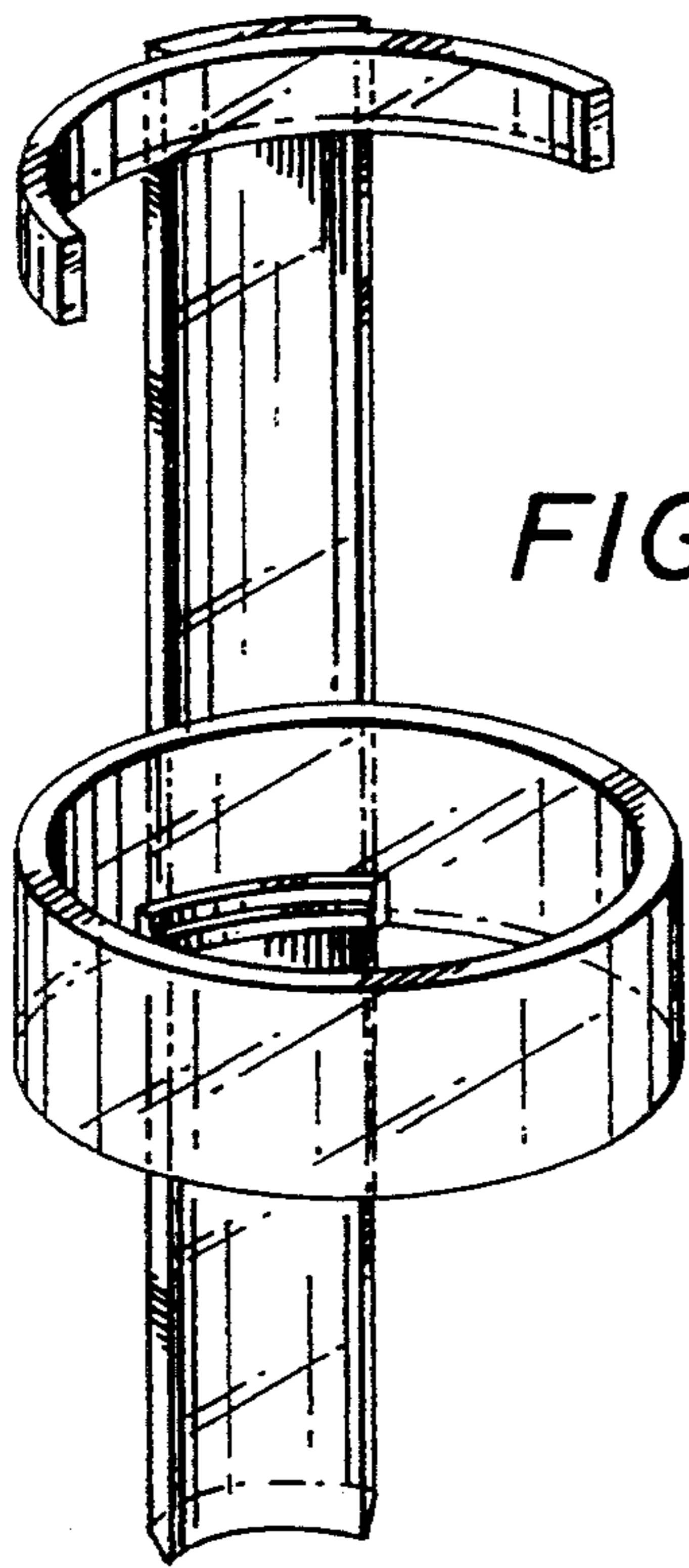


FIG. 1

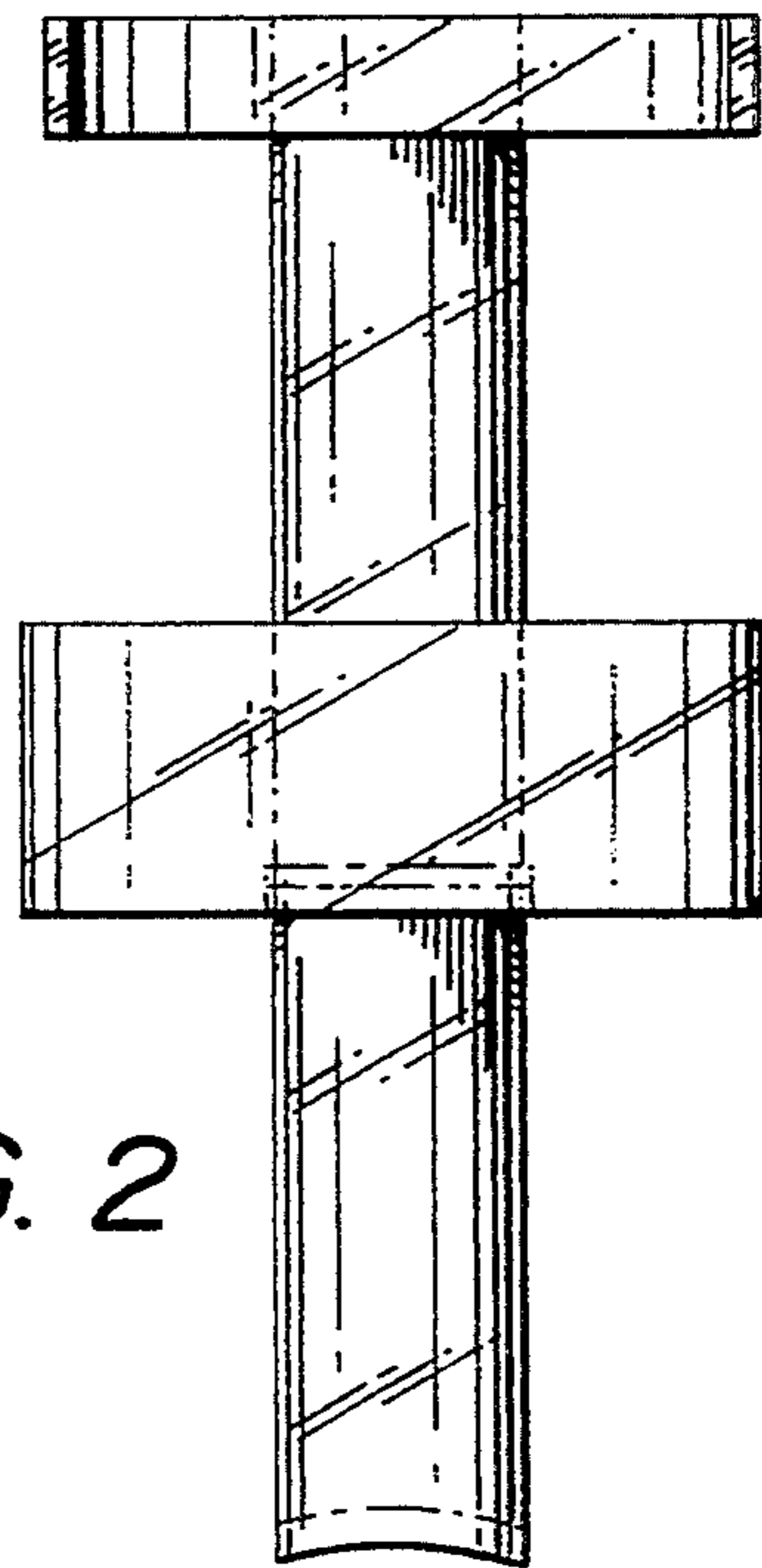


FIG. 2

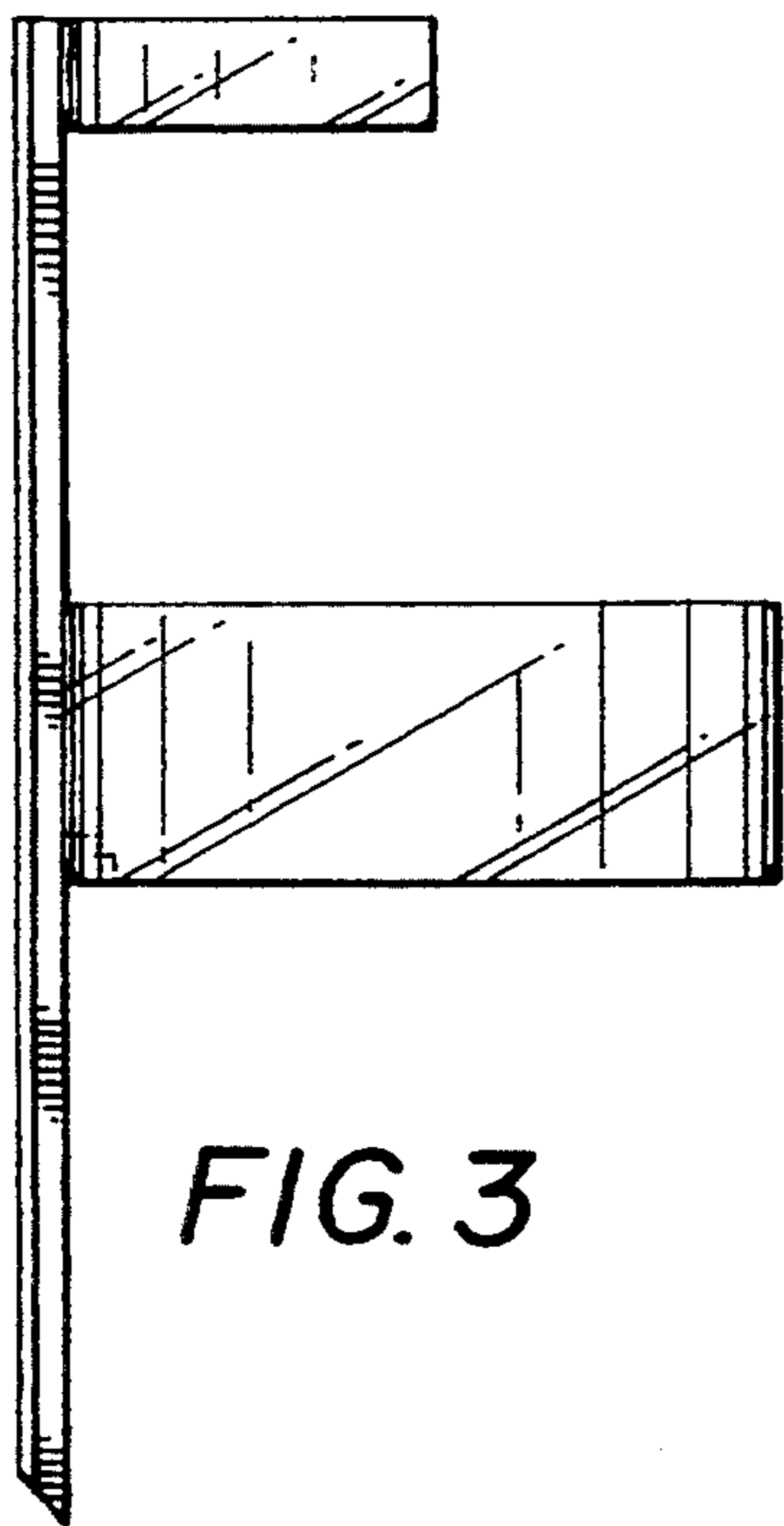


FIG. 3

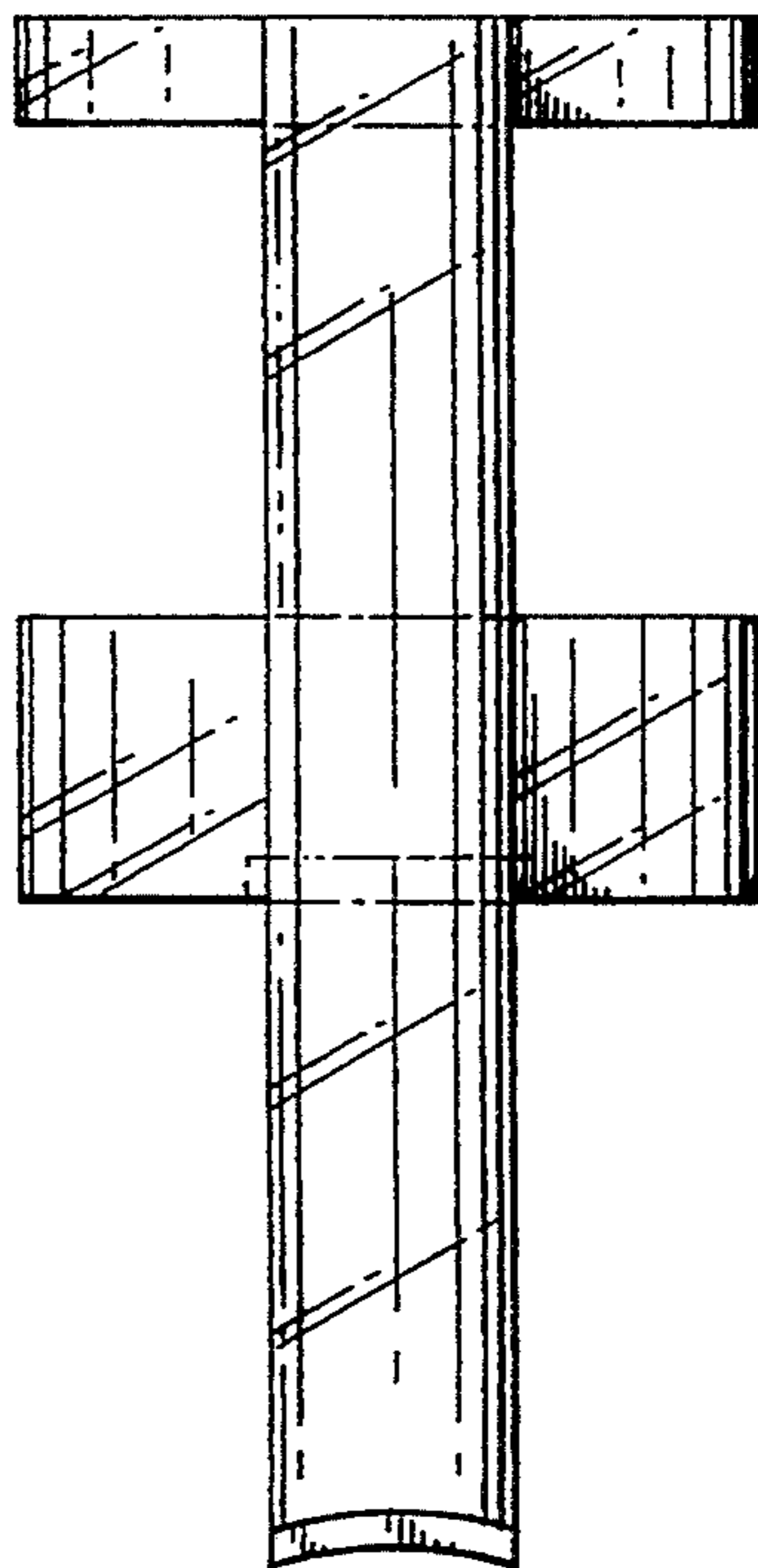


FIG. 4

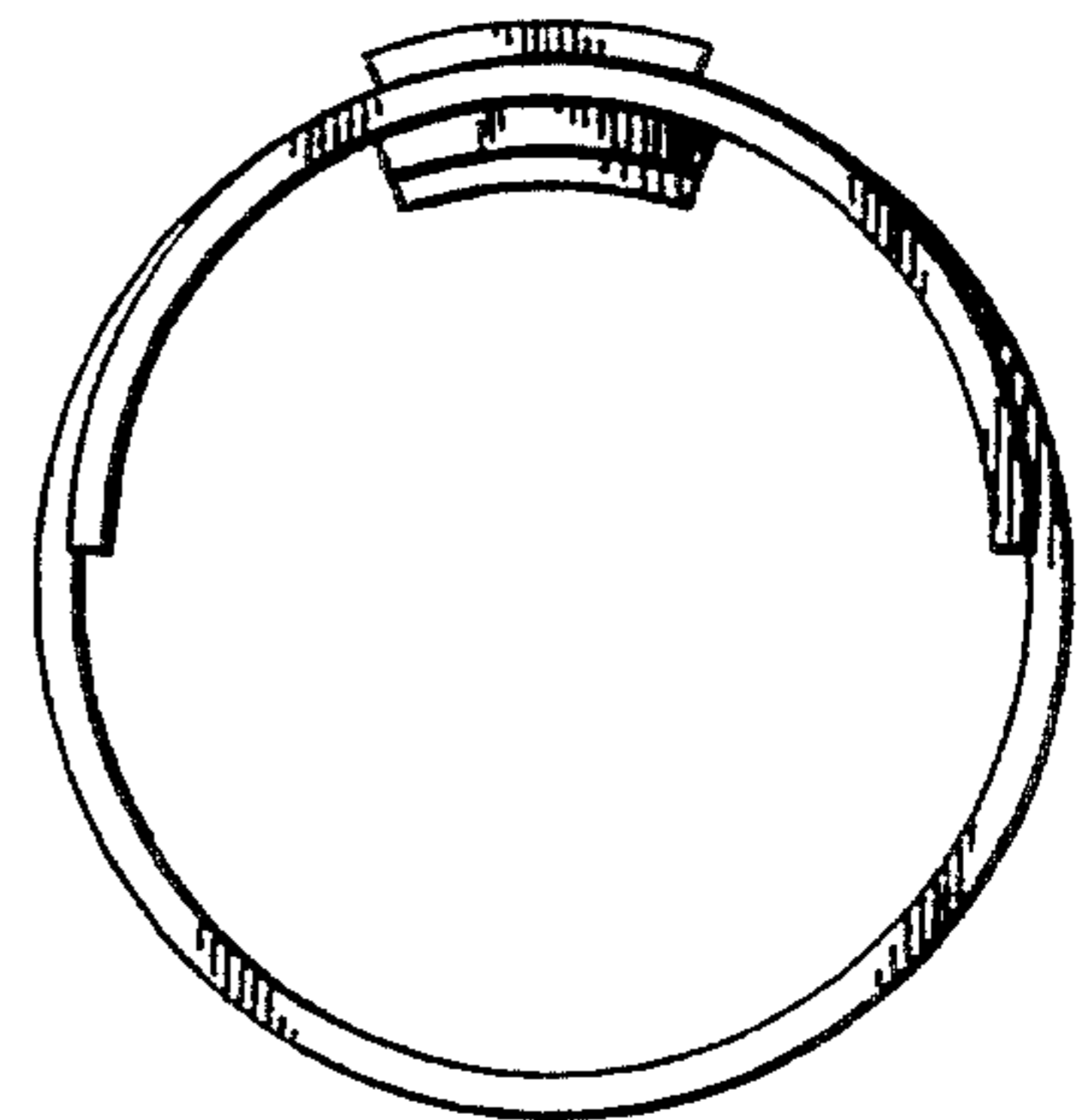


FIG. 5

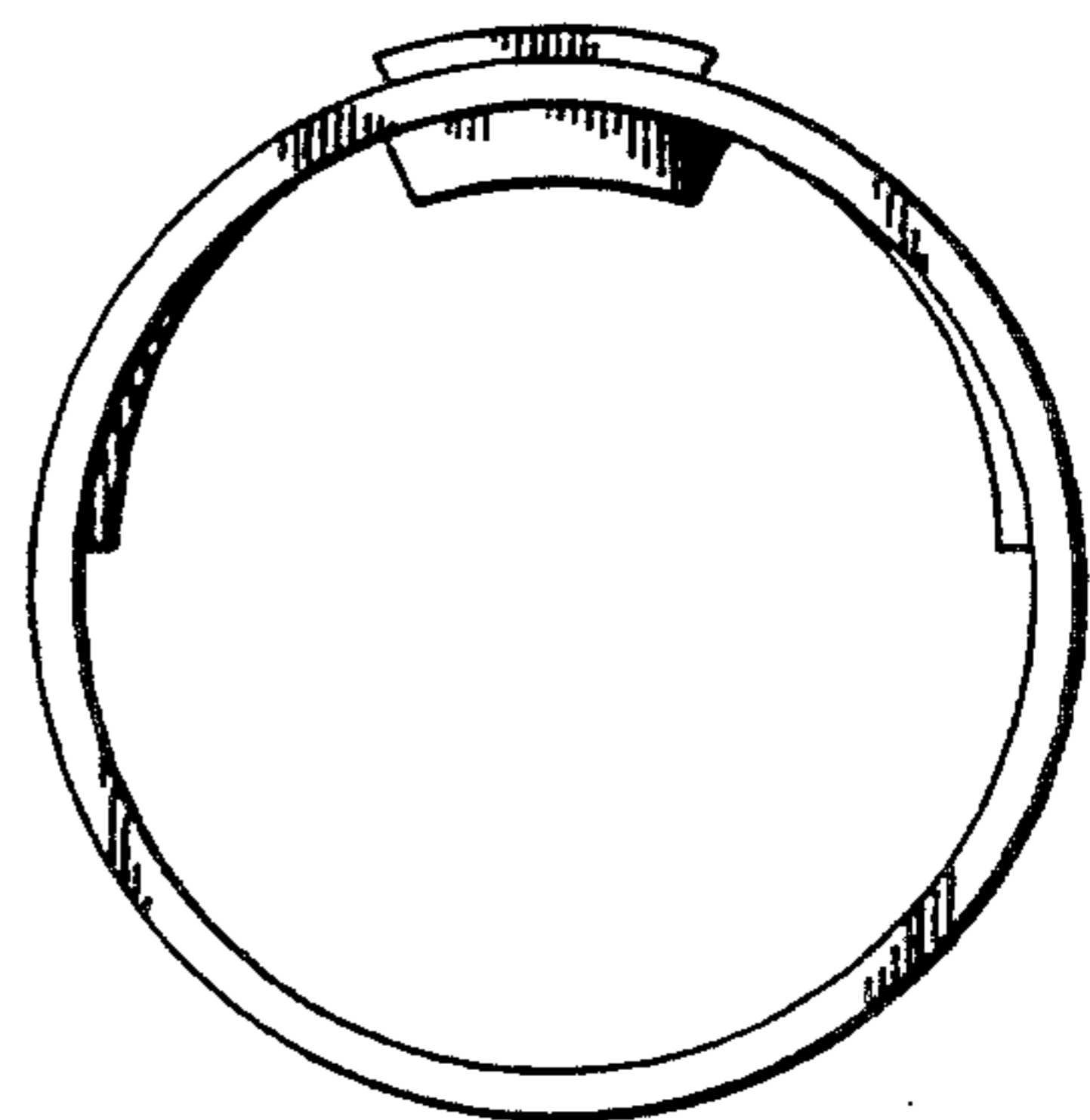


FIG. 6