



US00D361459S

United States Patent [19]
Hansen

[11] **Patent Number: Des. 361,459**
[45] **Date of Patent: ** Aug. 22, 1995**

[54] TABLE

[76] Inventor: **John A. Hansen**, 620 E. 13th St., Apt.
206, Sioux Falls, S. Dak. 57104

[**] Term: **14 Years**

[21] Appl. No.: **16,876**

[22] Filed: **Dec. 29, 1993**

[52] U.S. Cl. **D6/487; D6/482;**
D6/484

[58] Field of Search **D6/480-489,**
D6/495, 498, 499; 108/150, 153, 156, 161

[56]

References Cited

U.S. PATENT DOCUMENTS

D. 278,289 4/1985 Sottsass et al. D6/487
D. 290.668 7/1987 Lundy D6/484

OTHER PUBLICATIONS

Making Plastic Pipe Furniture—by Max & Charlotte
Ath, ©1981 Everest House p. 63.
Selig Tables, #644-05 Table.

Primary Examiner—Janice E. Seeger

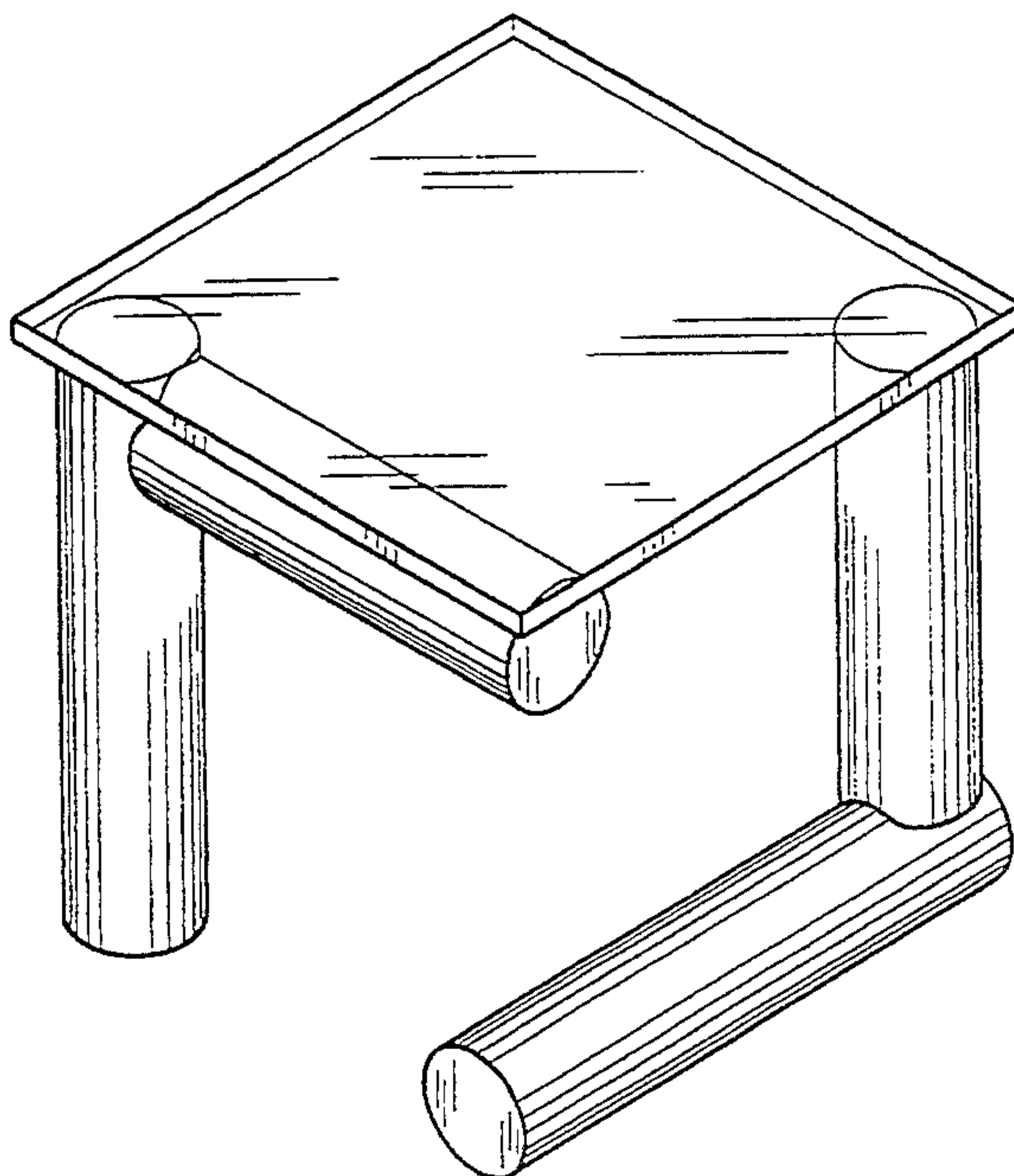
[57]

CLAIM

The ornamental design for a table, as shown.

DESCRIPTION

FIG. 1 is an isometric view;
FIG. 2 is a side view; and,
FIG. 3 is a front view.



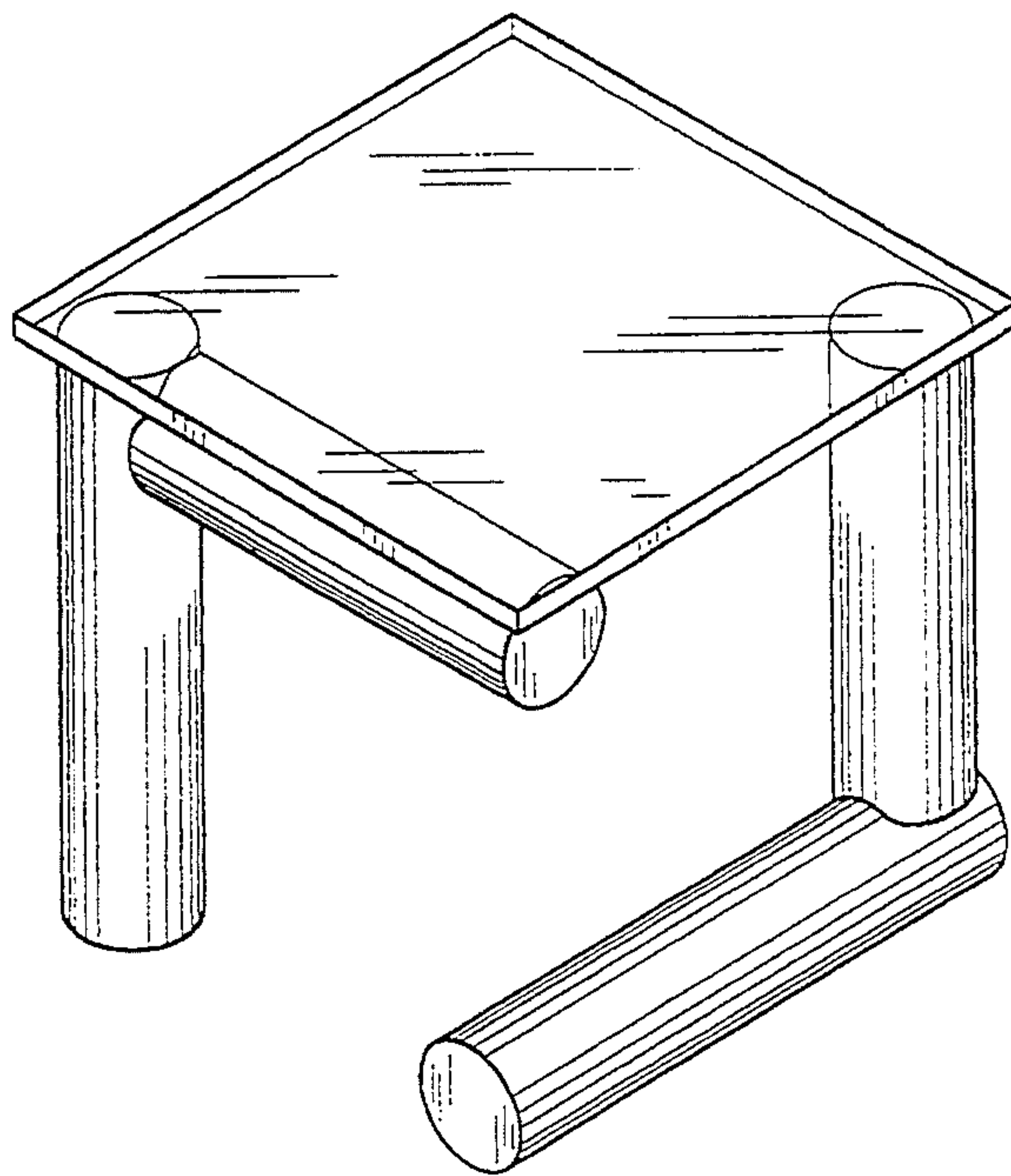


FIGURE 1

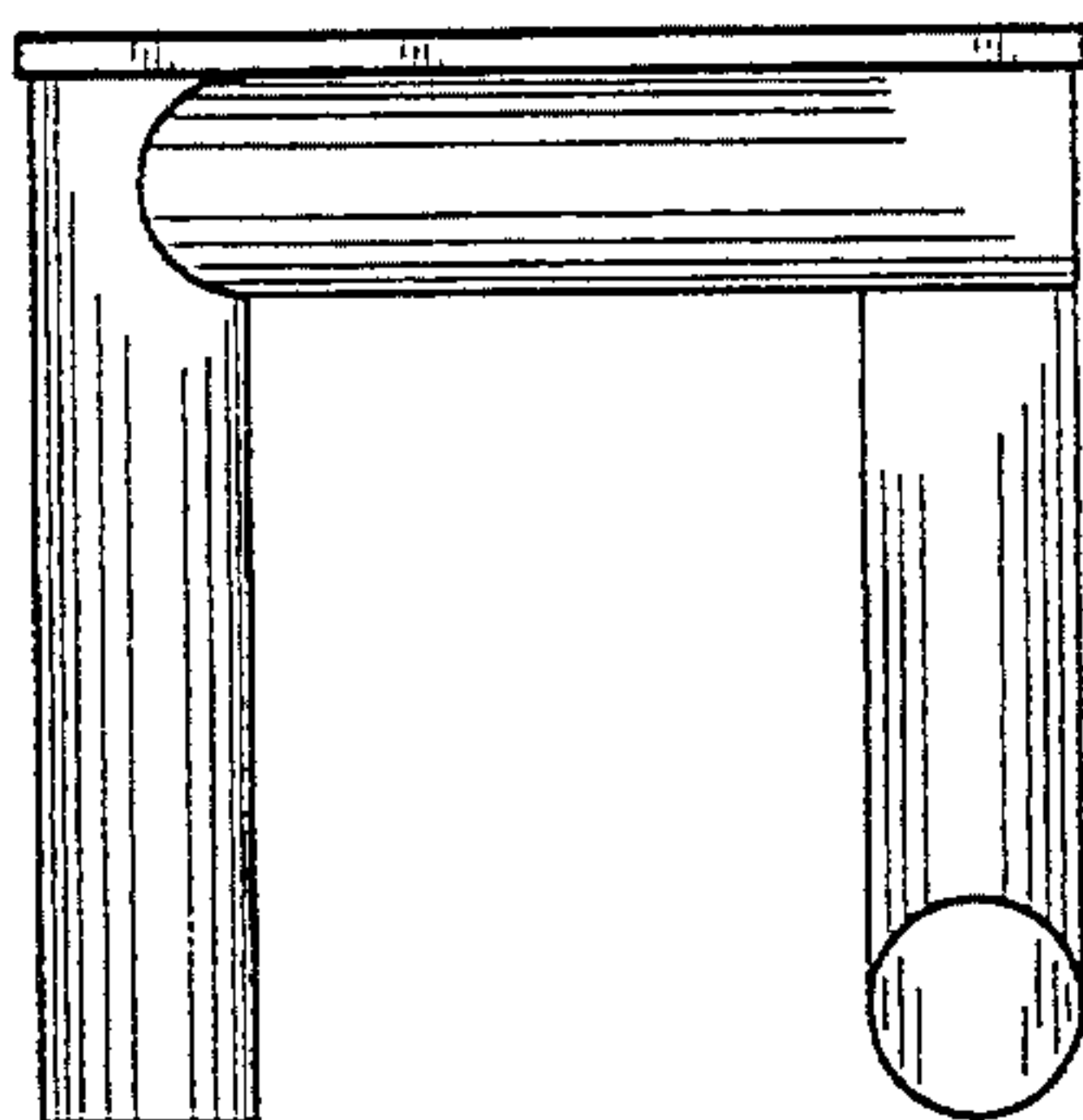


FIGURE 2

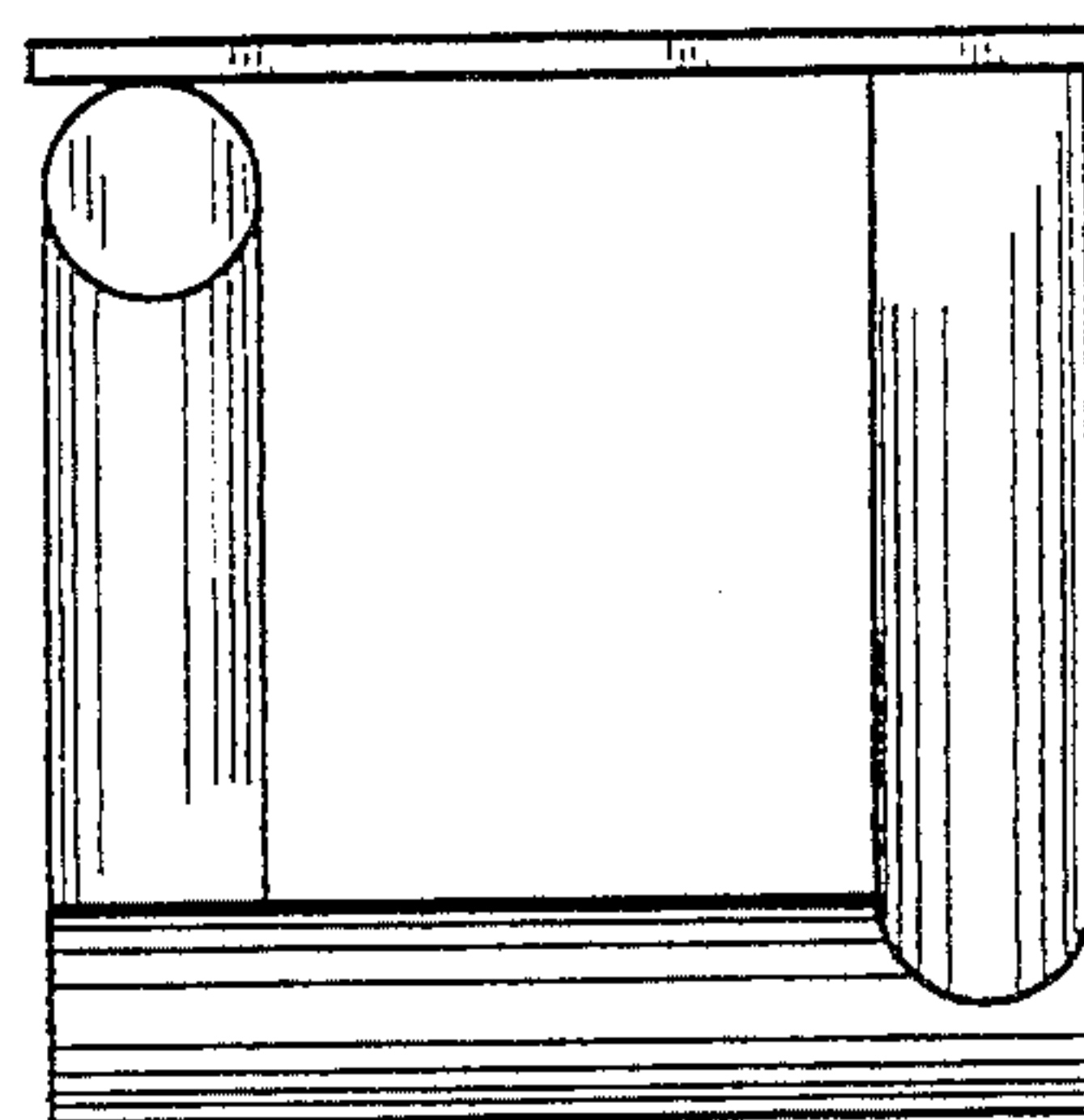


FIGURE 3