



US00D361457S

United States Patent [19] Laske

[11] Patent Number: **Des. 361,457**

[45] Date of Patent: **** Aug. 22, 1995**

[54] **TABLE**

[75] Inventor: **Lawrence Laske, Chicago, Ill.**

[73] Assignee: **Westinghouse Electric Corporation, Pittsburgh, Pa.**

[**] Term: **14 Years**

[21] Appl. No.: **23,694**

[22] Filed: **May 31, 1994**

[52] U.S. Cl. **D6/480; D6/487**

[58] Field of Search **D6/480-489, D6/495-499; 108/150, 153, 156, 157, 161; 248/188, 188.1**

D. 331,851 12/1992 Bennett D6/487 X
 D. 334,678 4/1993 Hinden D6/480 X
 1,977,848 10/1934 Gwynn 108/157

Primary Examiner—Janice E. Seeger
Attorney, Agent, or Firm—Carla J. Vrsansky

[57] **CLAIM**

The ornamental design for a table, as shown and described.

DESCRIPTION

FIG. 1 is a perspective view of a table showing my new design;
 FIG. 2 is a front elevational view thereof;
 FIG. 3 is a rear side elevational view thereof;
 FIG. 4 is a right side elevational view thereof;
 FIG. 5 is a left side elevational view thereof;
 FIG. 6 is a top plan view thereof; and,
 FIG. 7 is a bottom plan view thereof.

[56] **References Cited**
U.S. PATENT DOCUMENTS
 D. 182,037 2/1958 Noguchi D6/487

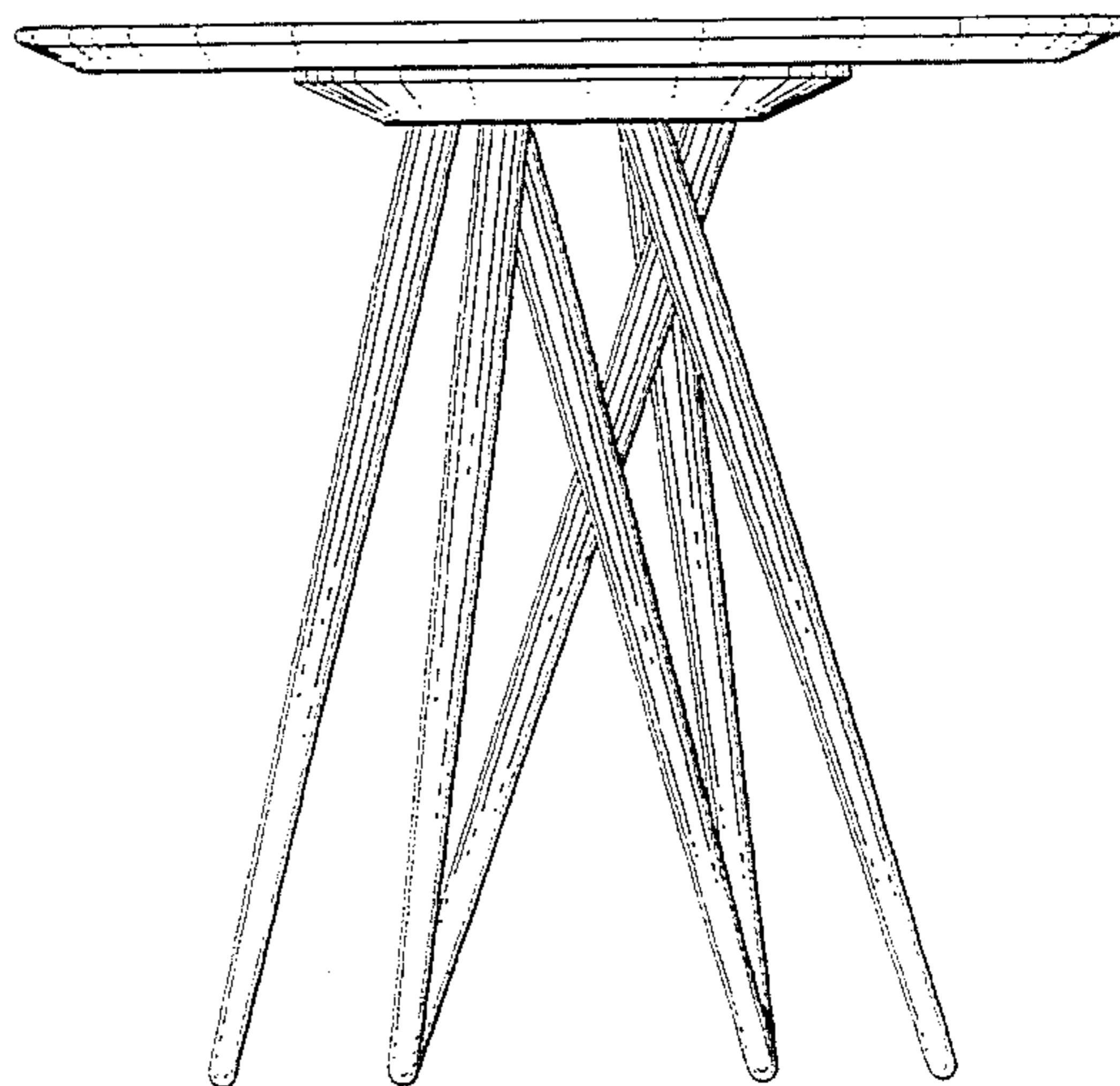
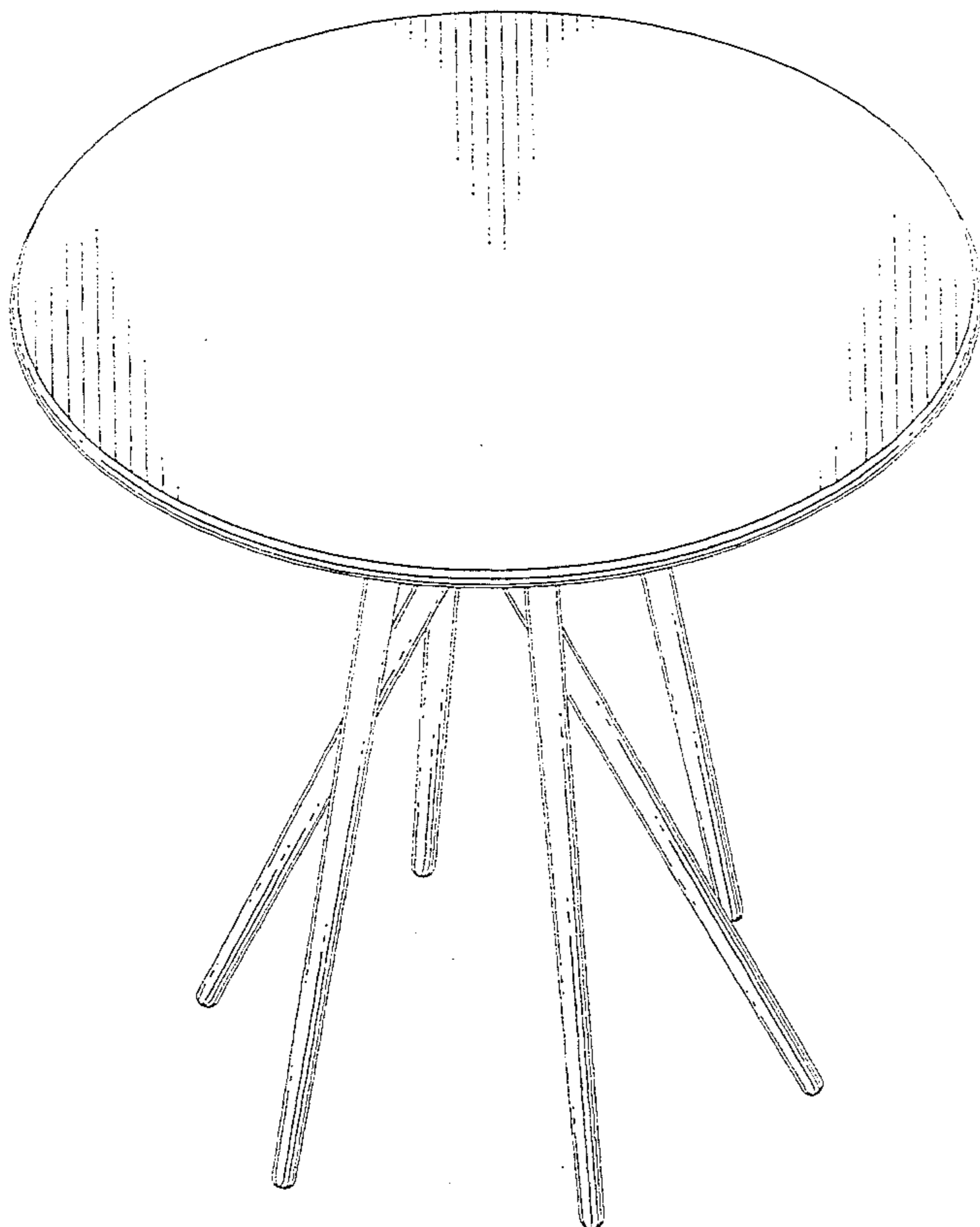




FIG. 1

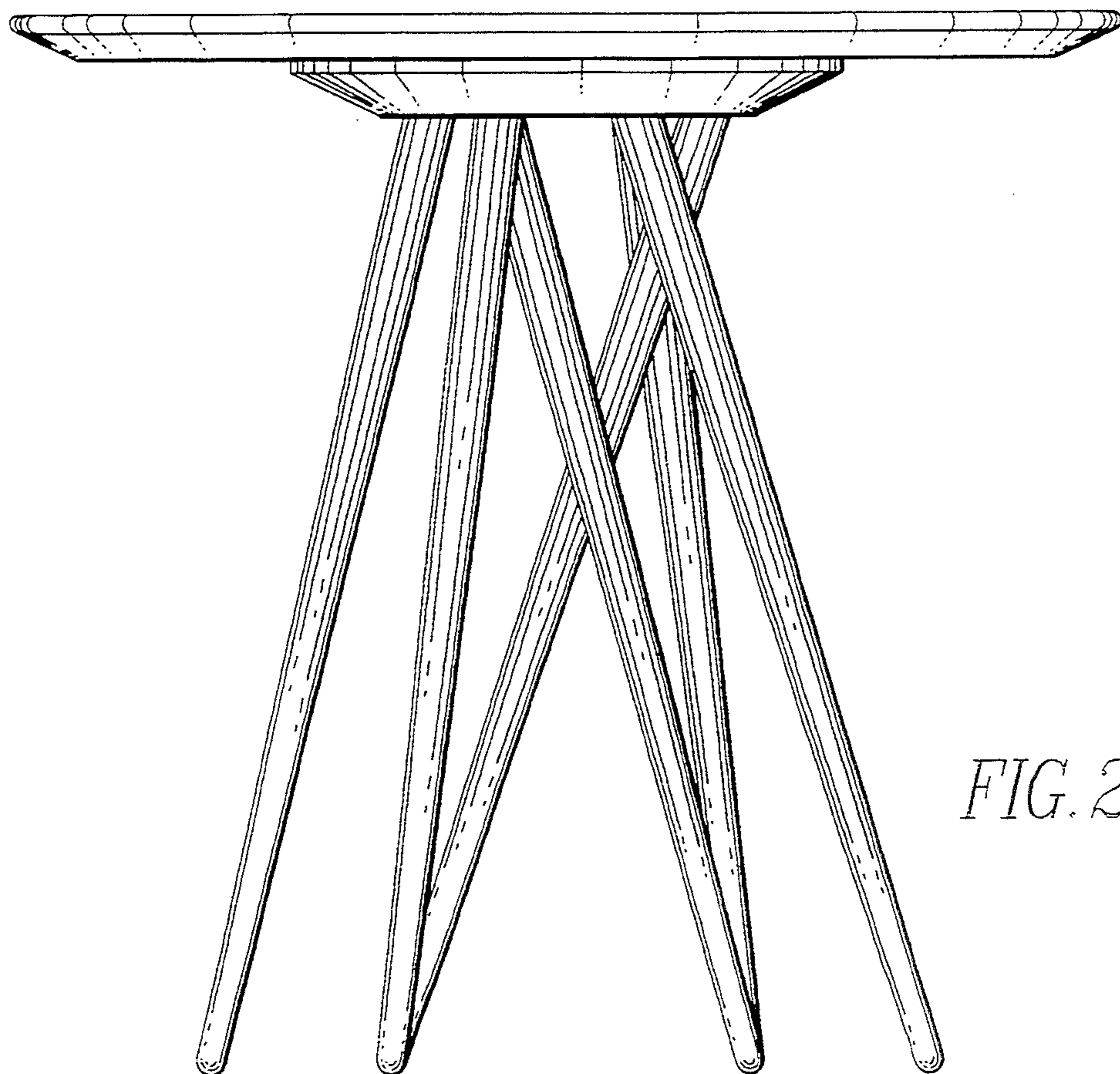


FIG. 2

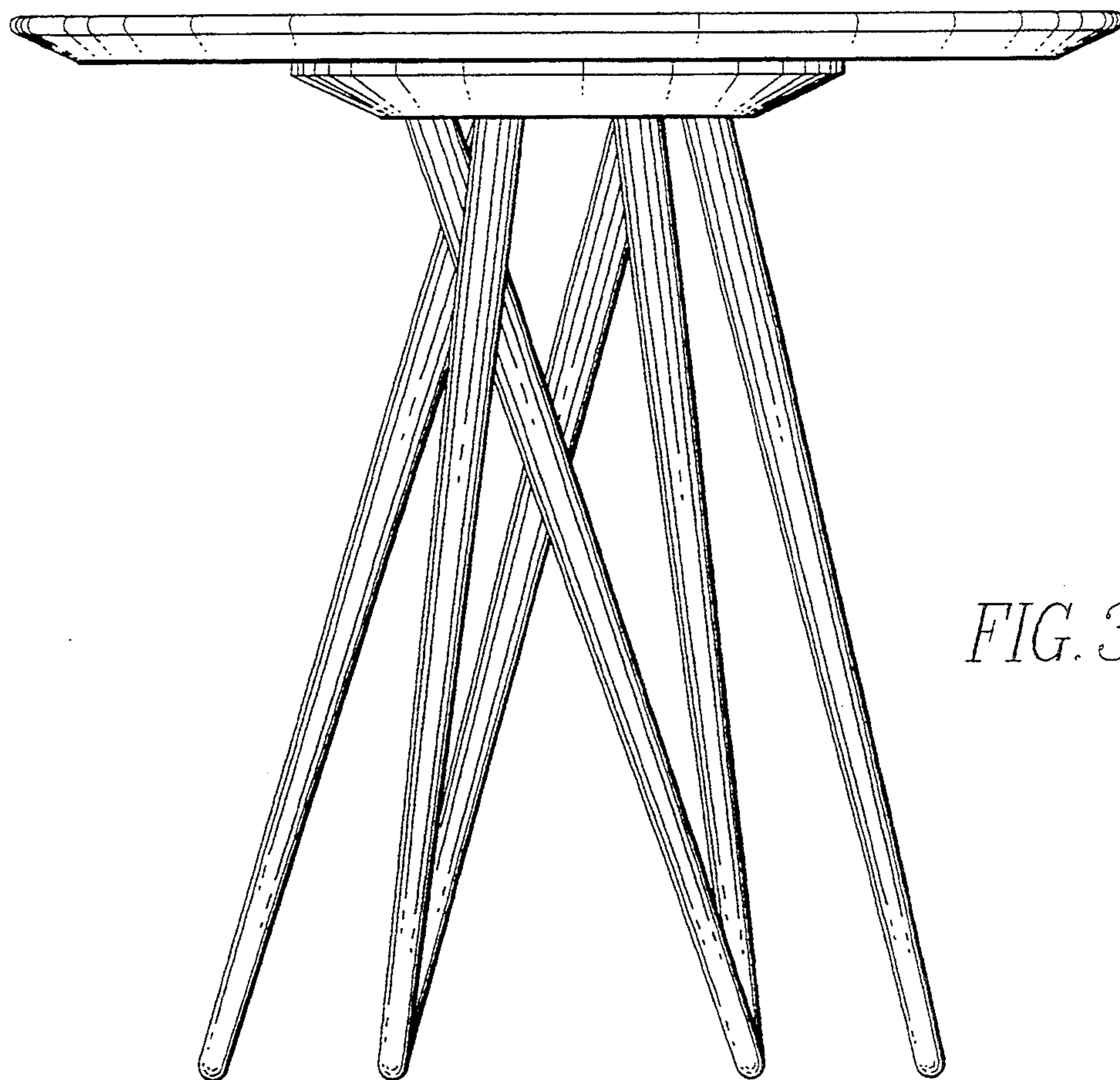


FIG. 3

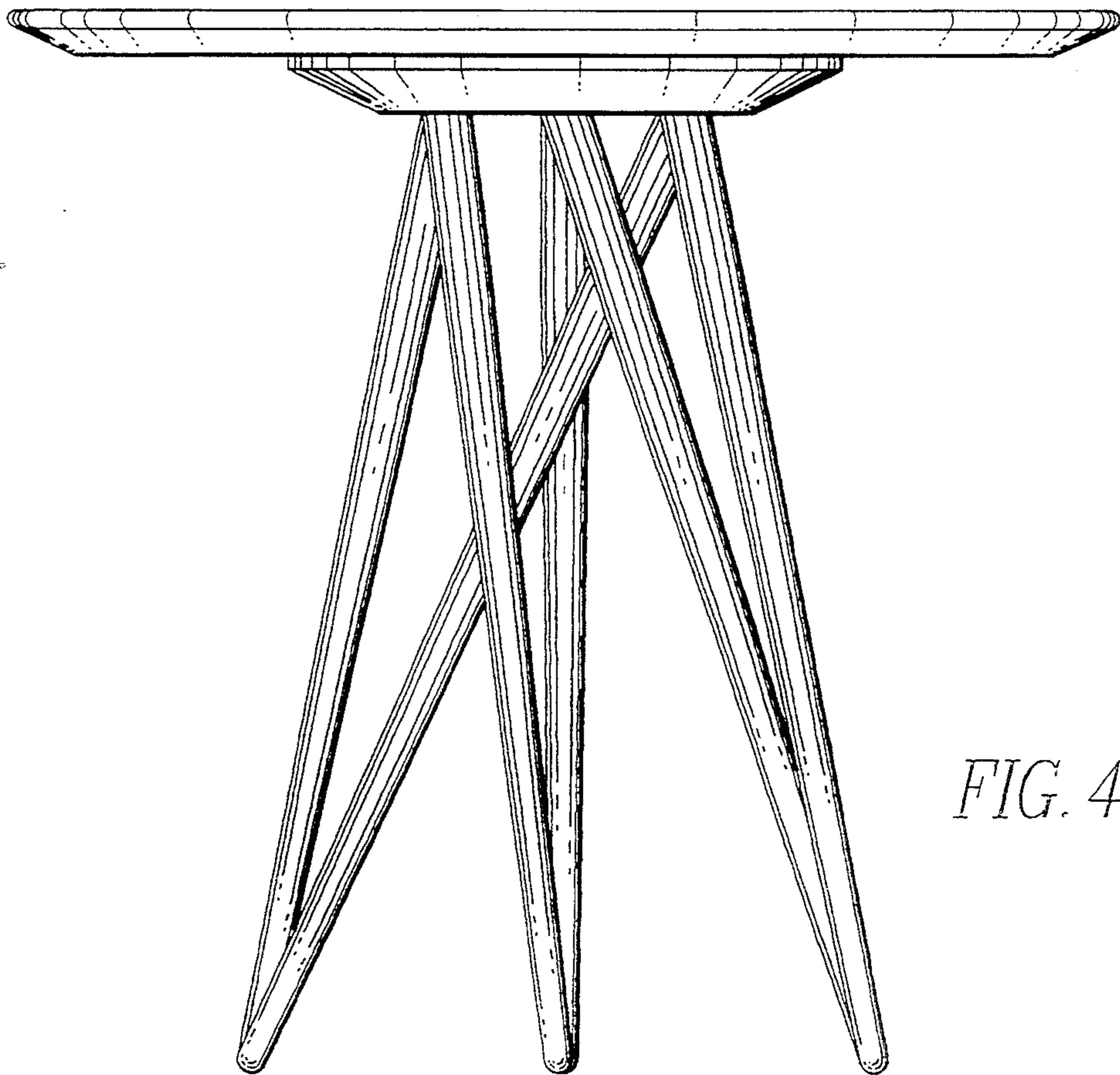


FIG. 4

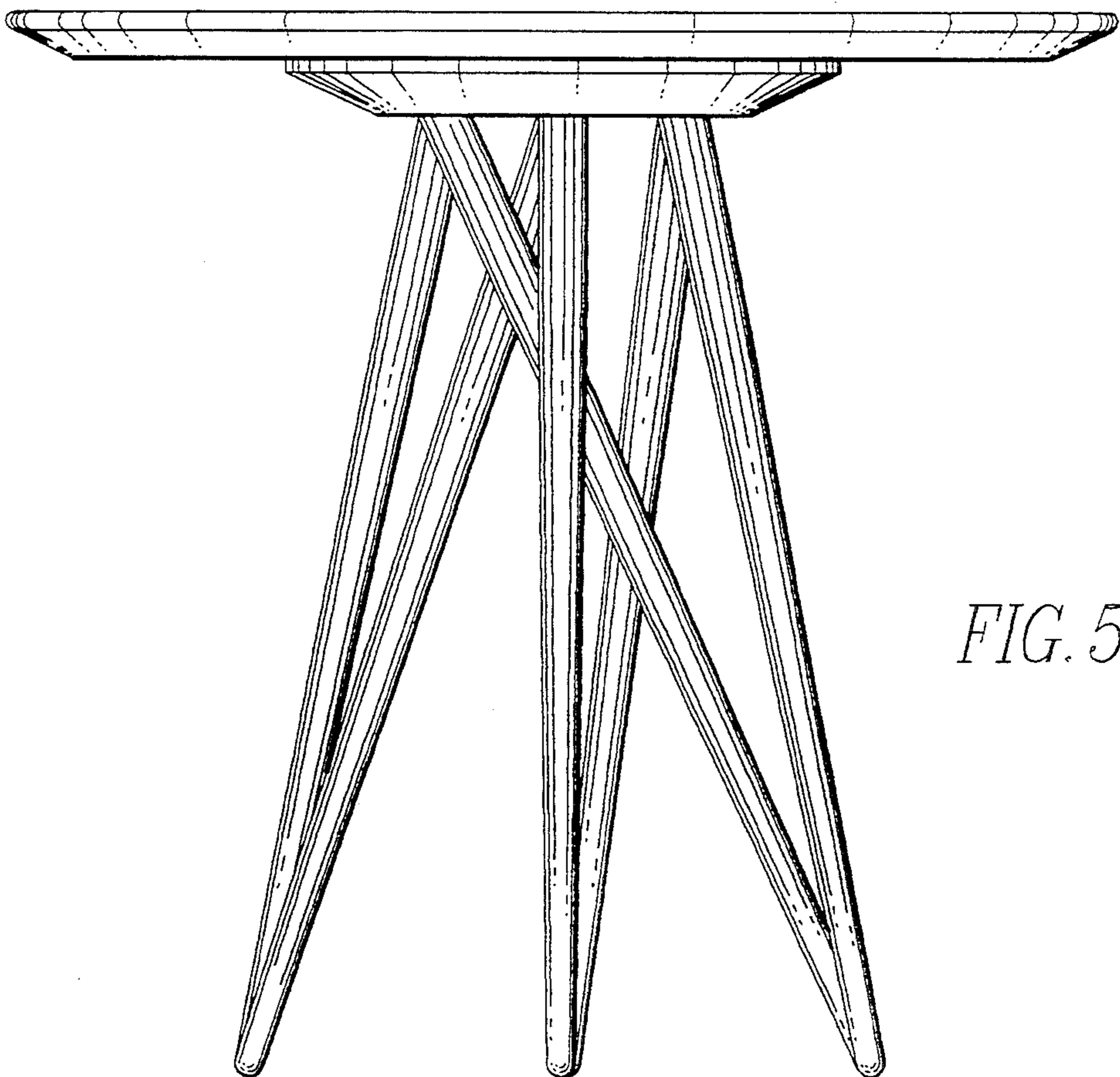


FIG. 5

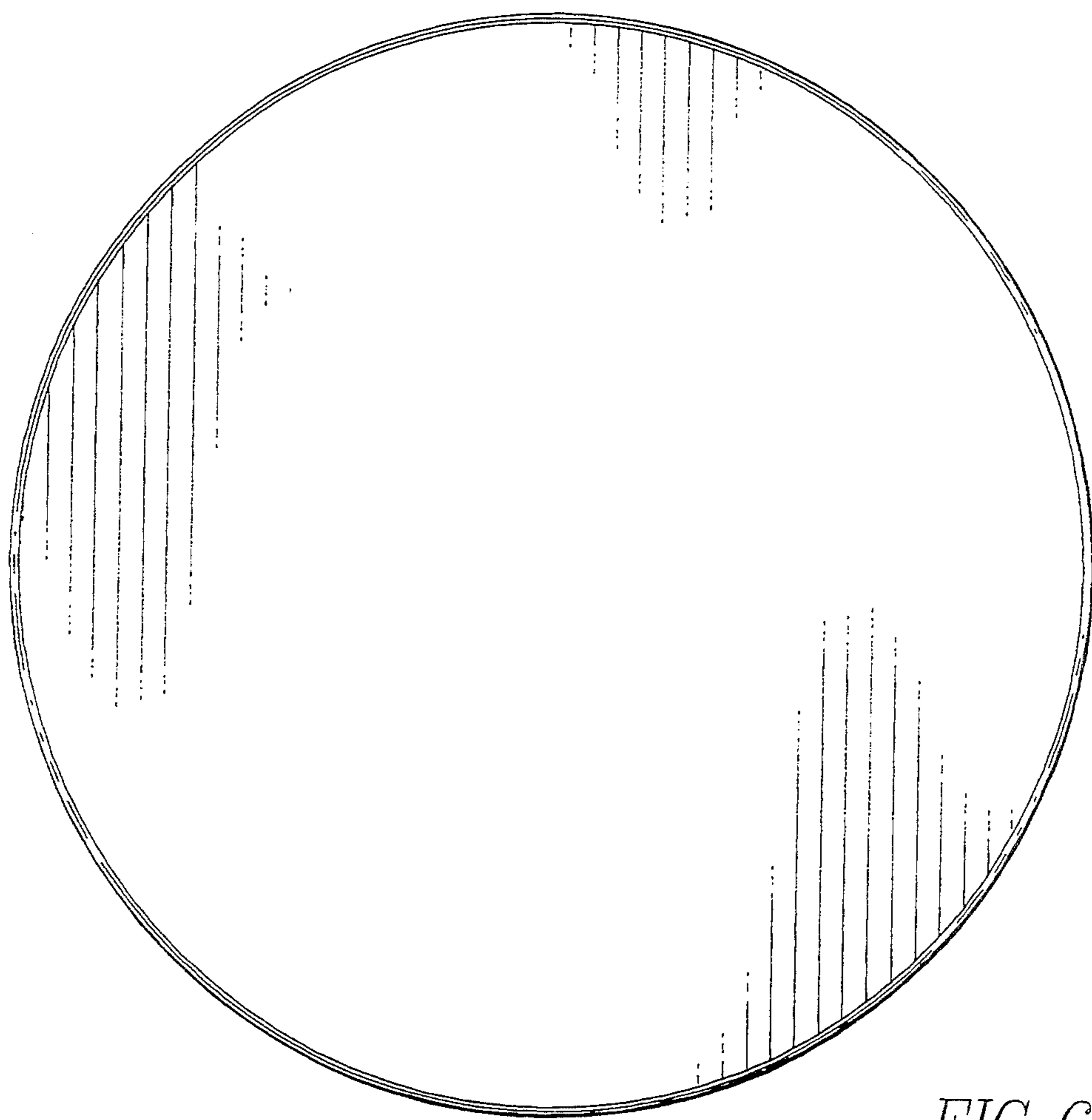


FIG. 6

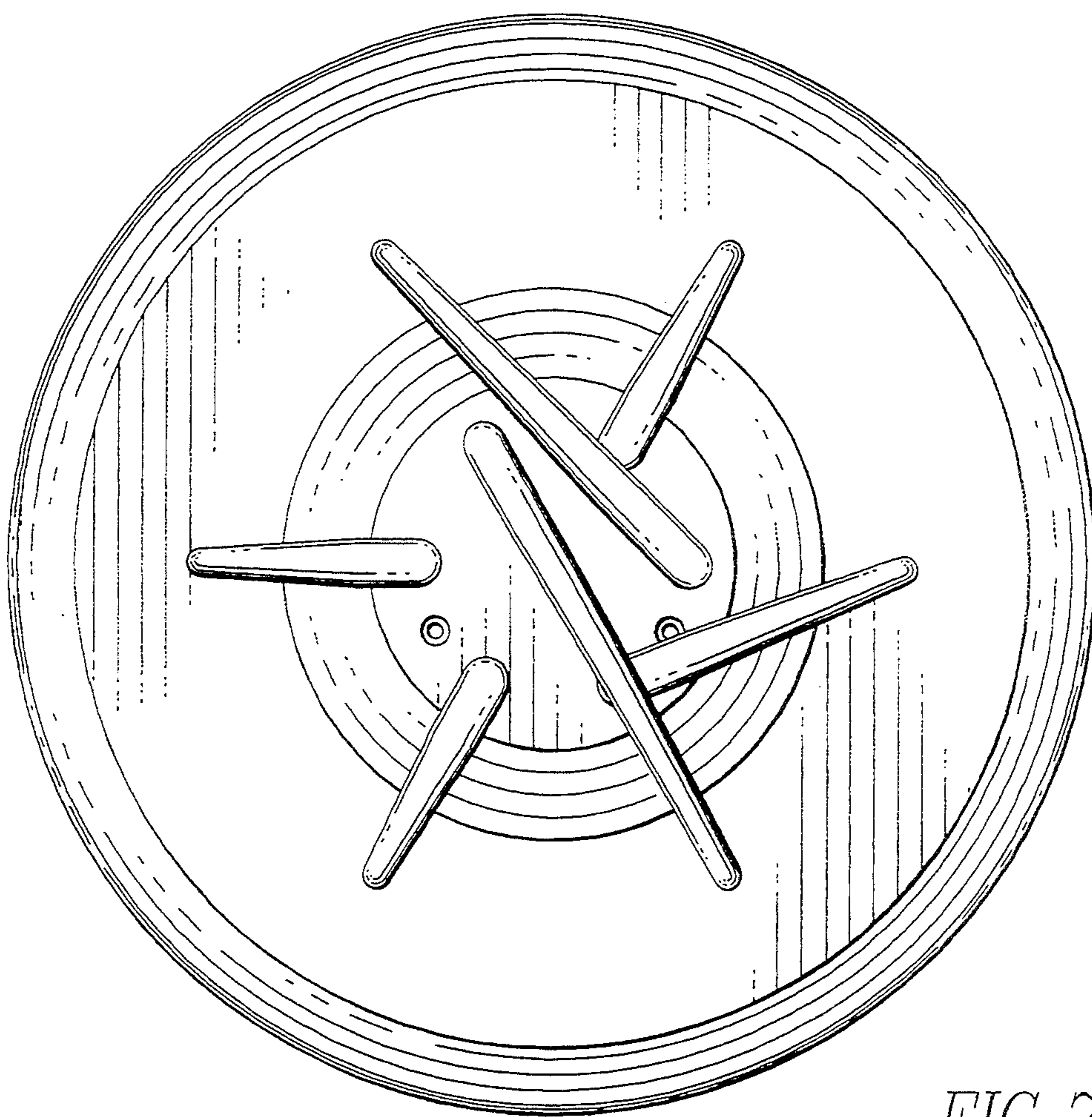


FIG. 7