



US00D361453S

United States Patent [19]

[11] Patent Number: **Des. 361,453**

Sussman

[45] Date of Patent: **** Aug. 22, 1995**

[54] **DISPLAY STAND**

[76] Inventor: **Sy Sussman**, 435 Promontory Dr.
West, Newport Beach, Calif. 92660

2,806,606	9/1957	Evans	108/27
2,908,400	10/1959	Richter	108/60
4,484,787	11/1984	Stephens	108/60
4,582,002	4/1986	Wright	108/60

[*] Notice: The portion of the term of this patent subsequent to Dec. 1, 2006 has been disclaimed.

FOREIGN PATENT DOCUMENTS

1322727	6/1962	France	108/53
4039628	12/1990	Germany	108/59

[**] Term: **14 Years**

Primary Examiner—Alan P. Douglas
Assistant Examiner—Cathron B. Matta
Attorney, Agent, or Firm—Hawes & Fischer

[21] Appl. No.: **7,734**

[22] Filed: **May 3, 1993**

[52] U.S. Cl. **D6/474; D6/477**

[58] Field of Search D6/396, 403, 405, 406,
D6/407, 628-630, 422, 427, 449, 451, 464, 465,
474-479, 480, 481, 485, 490; 108/59, 60, 92,
161; 211/27, 36, 37, 42; 248/146, 158, 174, 440;
312/114, 283, 286

[57] **CLAIM**

The ornamental design for a display stand, as shown and described.

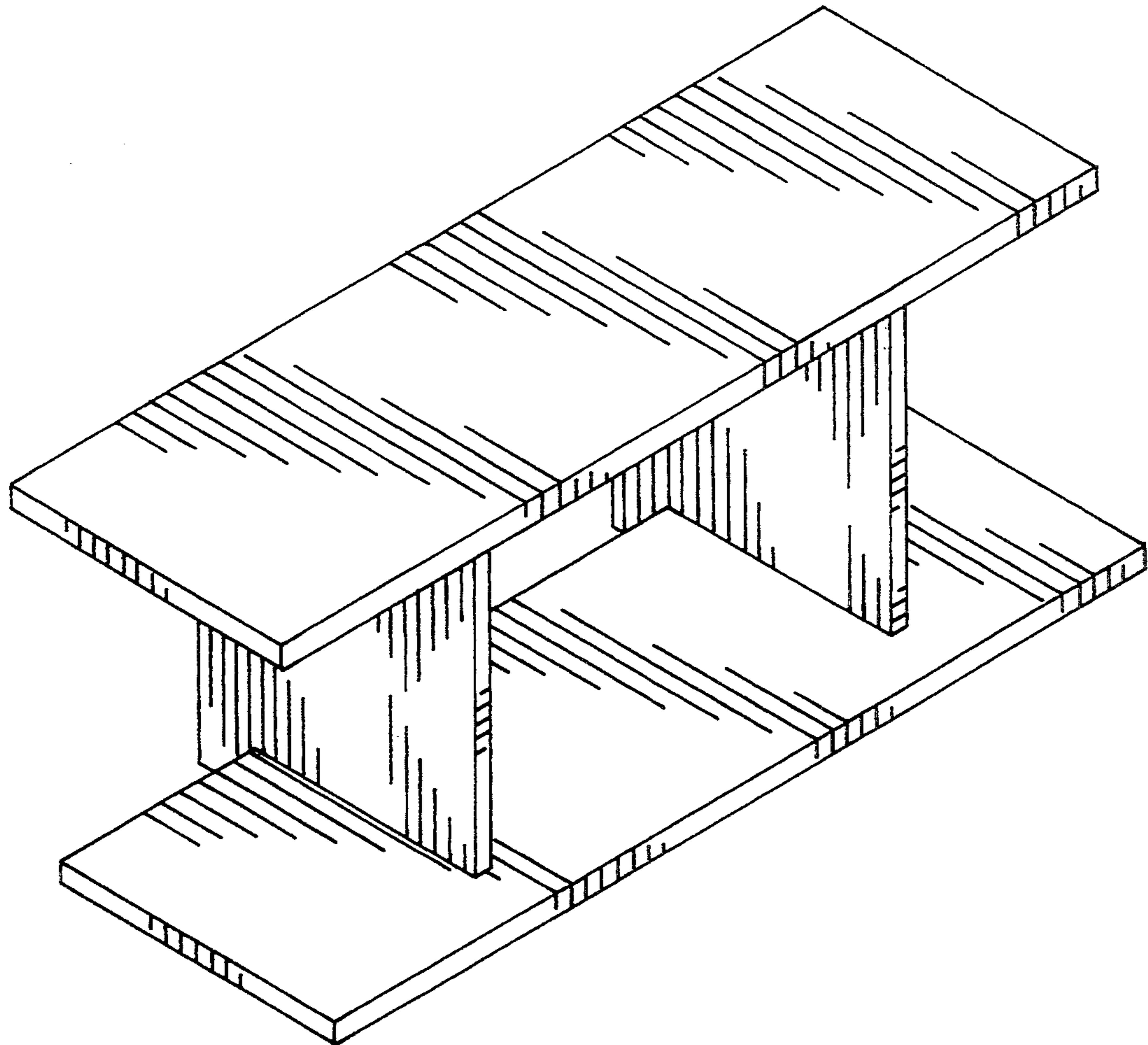
DESCRIPTION

FIG. 1 is a top, front, and left side perspective view of a display stand showing my new design;
FIG. 2 is a top, plan view thereof;
FIG. 3 is a bottom, plan view thereof;
FIG. 4 is a front, elevational view thereof;
FIG. 5 is a rear, elevational view thereof; and,
FIG. 6 is a right side elevational view, the left side being a mirror image thereof.

[56] **References Cited**

U.S. PATENT DOCUMENTS

D. 169,867	6/1953	Sanford	108/60 X
D. 331,338	12/1992	Sussman	D6/474
2,366,677	1/1945	Rosenthal	108/60



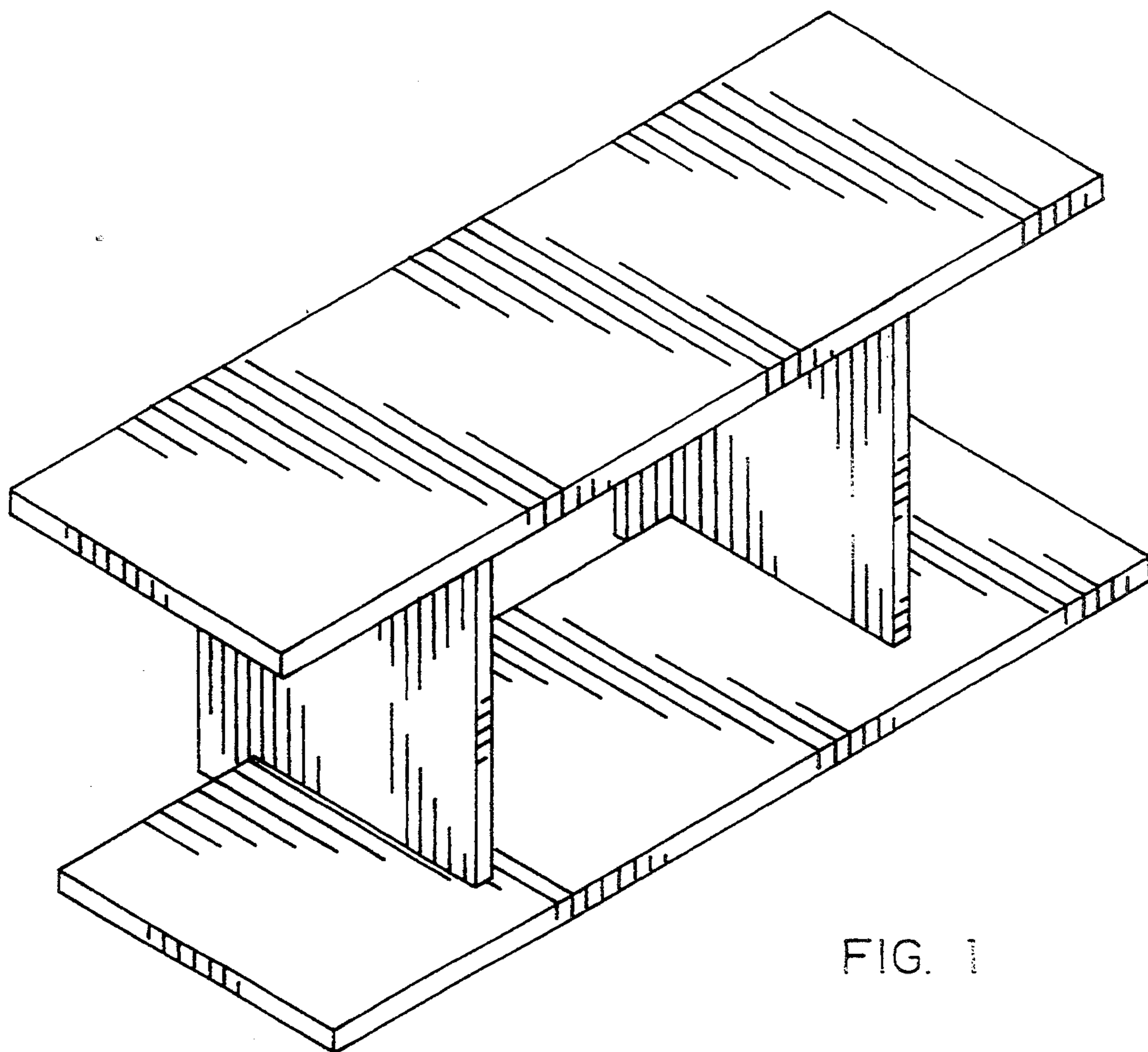


FIG. 1

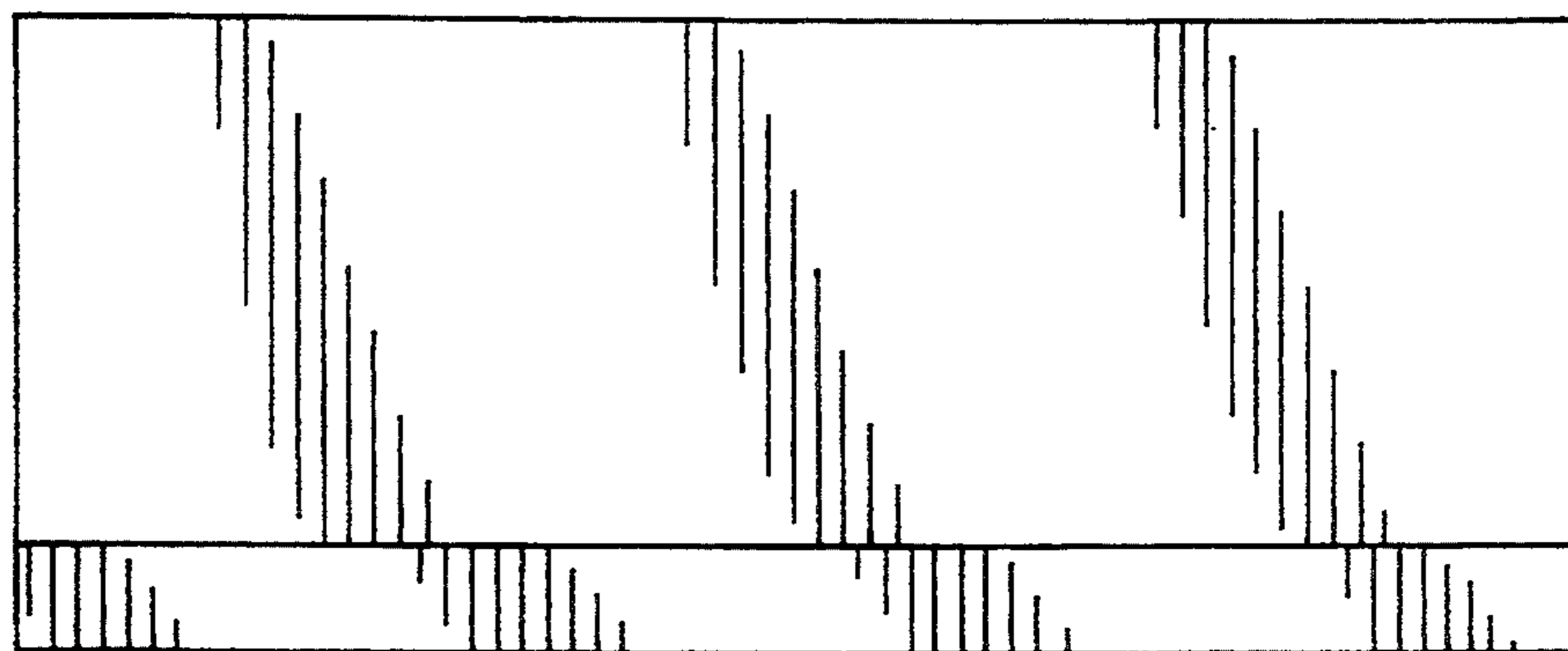


FIG. 2

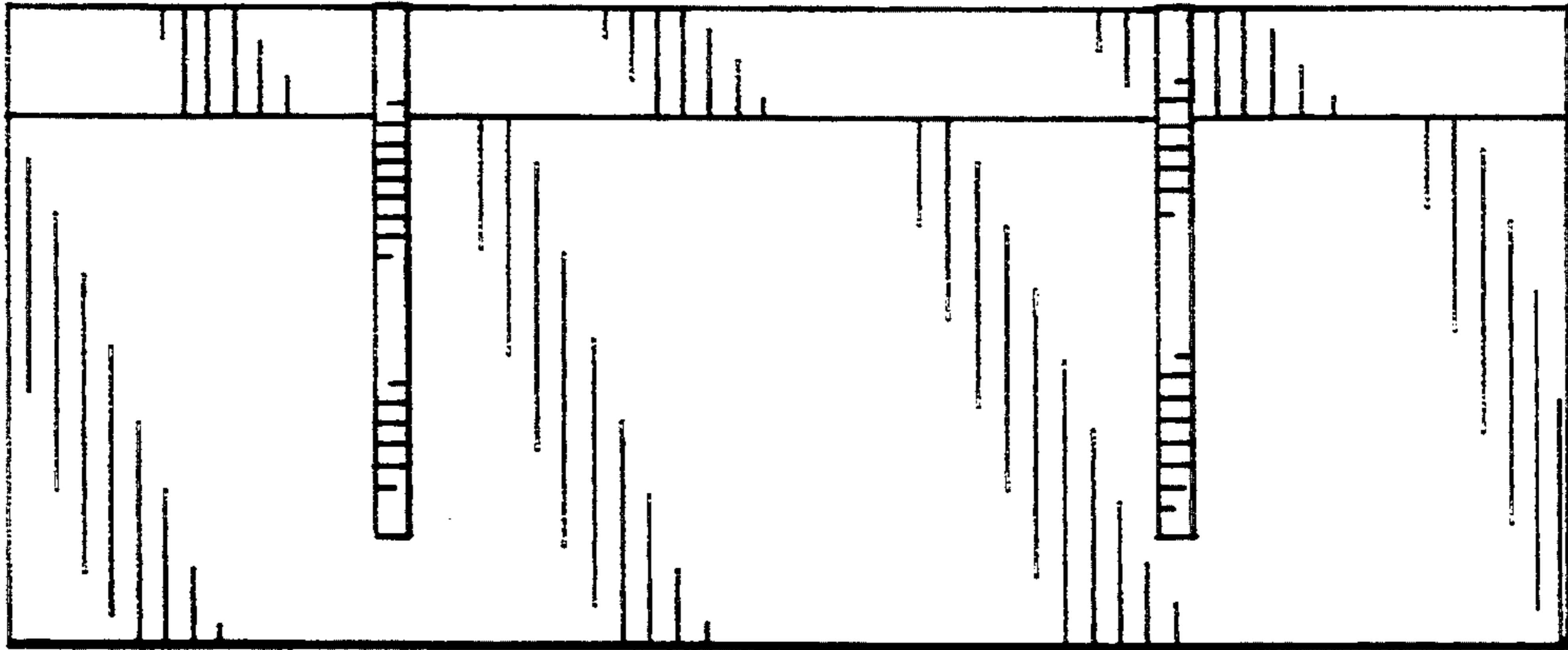


FIG. 3

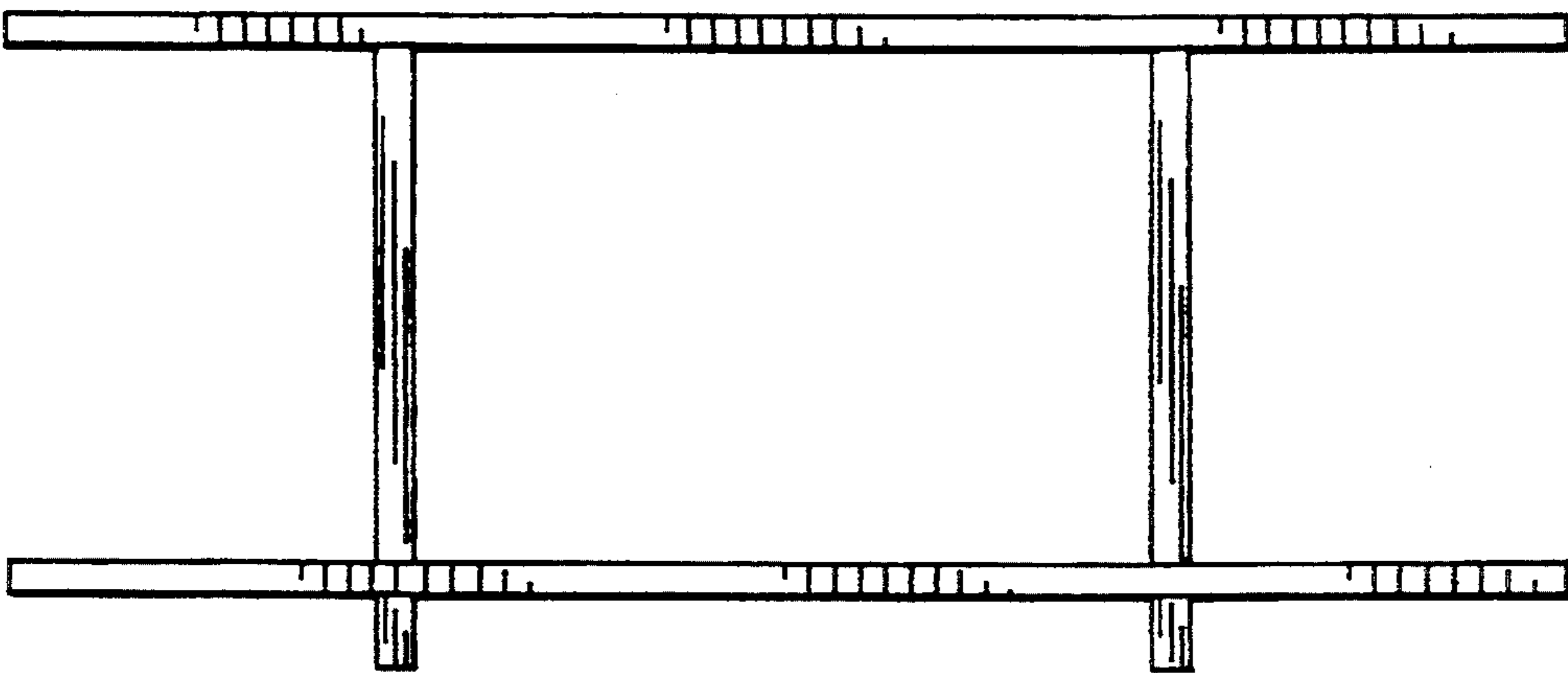


FIG. 4

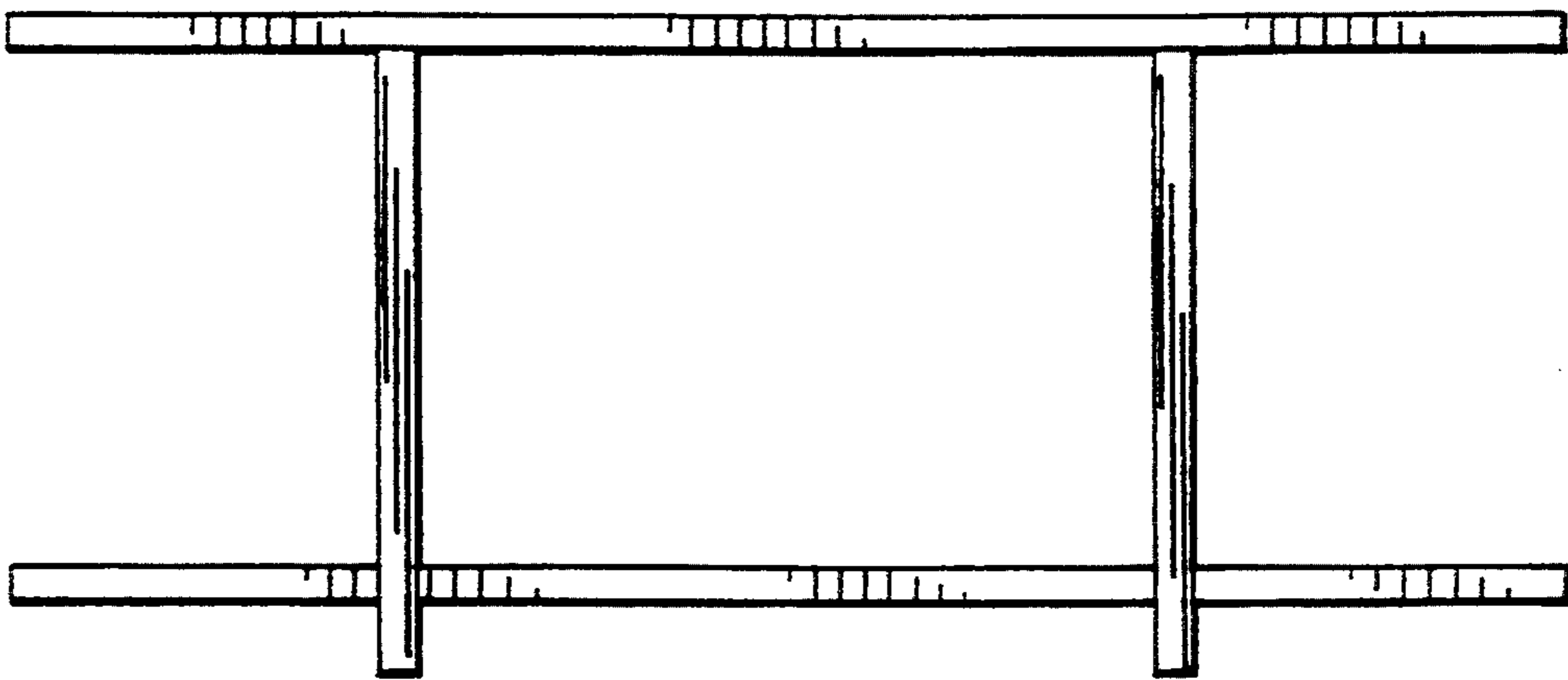


FIG. 5

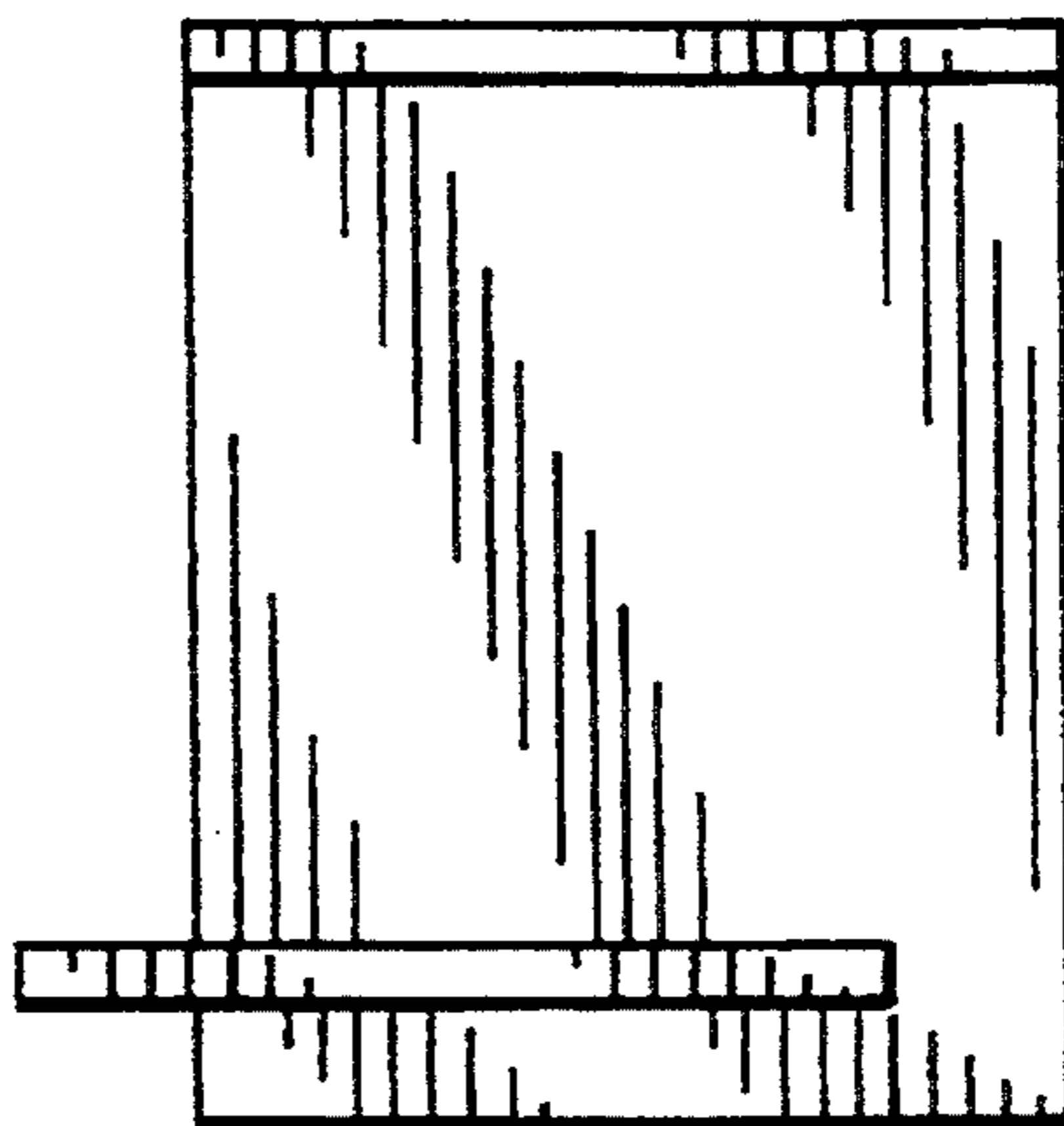


FIG. 6