



US00D361452S

United States Patent [19] Neylon

[11] Patent Number: Des. 361,452
[45] Date of Patent: ** Aug. 22, 1995

[54] SUPPORT FOR VIDEO GAME JOY STICK
[76] Inventor: Michael Neylon, 5246 Rowan Ct., Indianapolis, Ind. 46237
[**] Term: 14 Years
[21] Appl. No.: 8,223
[22] Filed: May 12, 1993
[52] U.S. Cl. D6/467; D6/406
[58] Field of Search D6/466, 467, 469, 470, D6/449, 484, 485; 248/176, 310; 273/148 B; 108/43

4,518,164 5/1985 Hayford 108/43
4,573,682 3/1986 Mayon 248/176 X
5,207,791 5/1993 Scherbarth 273/148 B

Primary Examiner—Alan P. Douglas
Assistant Examiner—S. Snapp
Attorney, Agent, or Firm—Terry M. Gernstein

[57] CLAIM

The ornamental design for a support for video game joy stick, as shown and described.

DESCRIPTION

FIG. 1 is a front, top and side perspective view of the support for video game joy stick showing my new design;

FIG. 2 is an end elevational view thereof, the end opposite being a mirror image of the end shown in FIG. 2;

FIG. 3 is a rear elevational view thereof;

FIG. 4 is a front elevational view thereof;

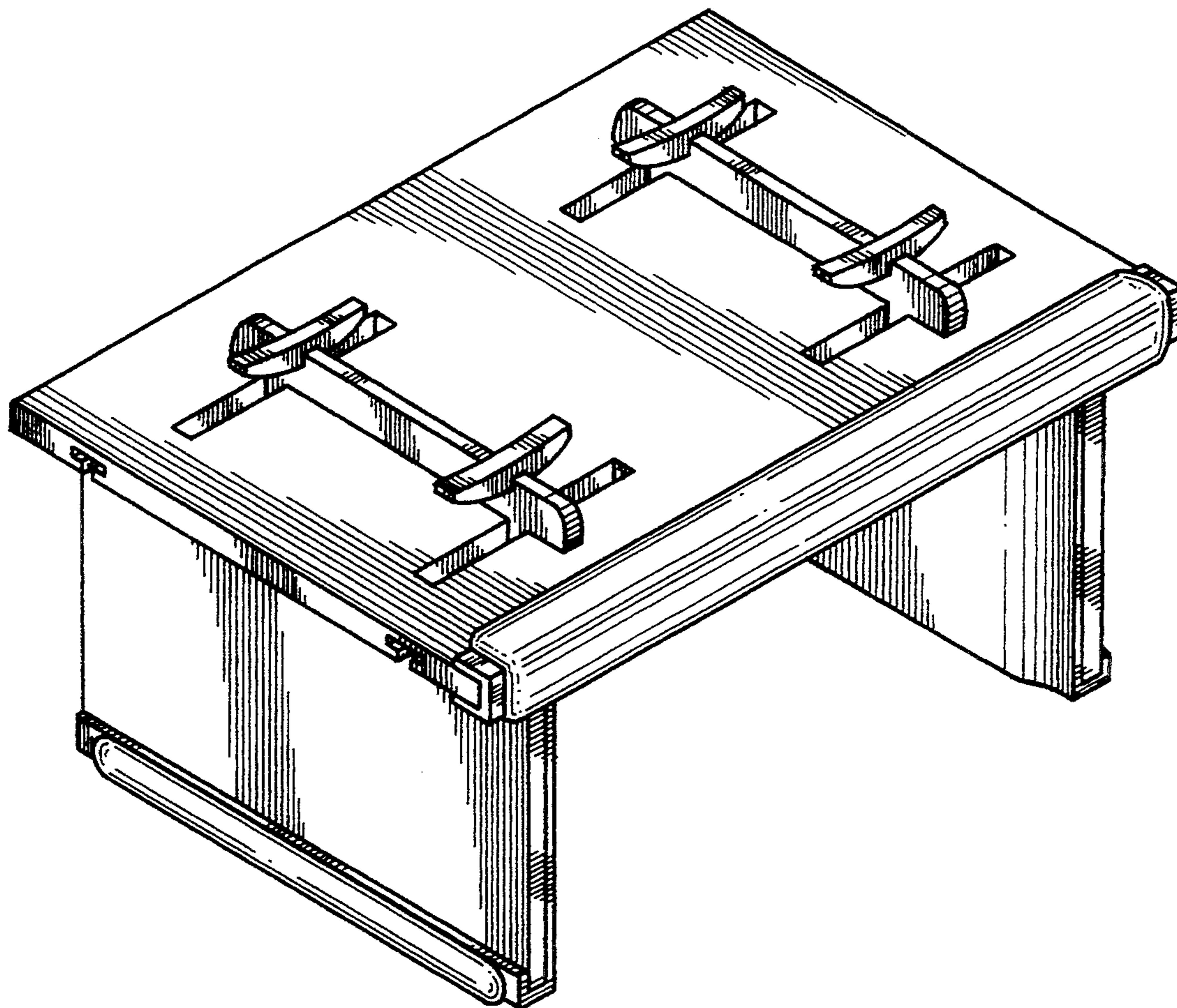
FIG. 5 is a top plan view thereof; and,

FIG. 6 is a bottom plan view thereof.

[56] References Cited

U.S. PATENT DOCUMENTS

D. 278,102	3/1985	Wagner, Jr.	D6/466
D. 281,657	12/1985	Roczey	D6/466
D. 340,599	10/1993	Hollington	D6/484
4,422,648	12/1983	Tamarkin	273/148 B X
4,494,754	1/1985	Wagner	108/43
4,494,755	1/1985	Caillouet	108/43



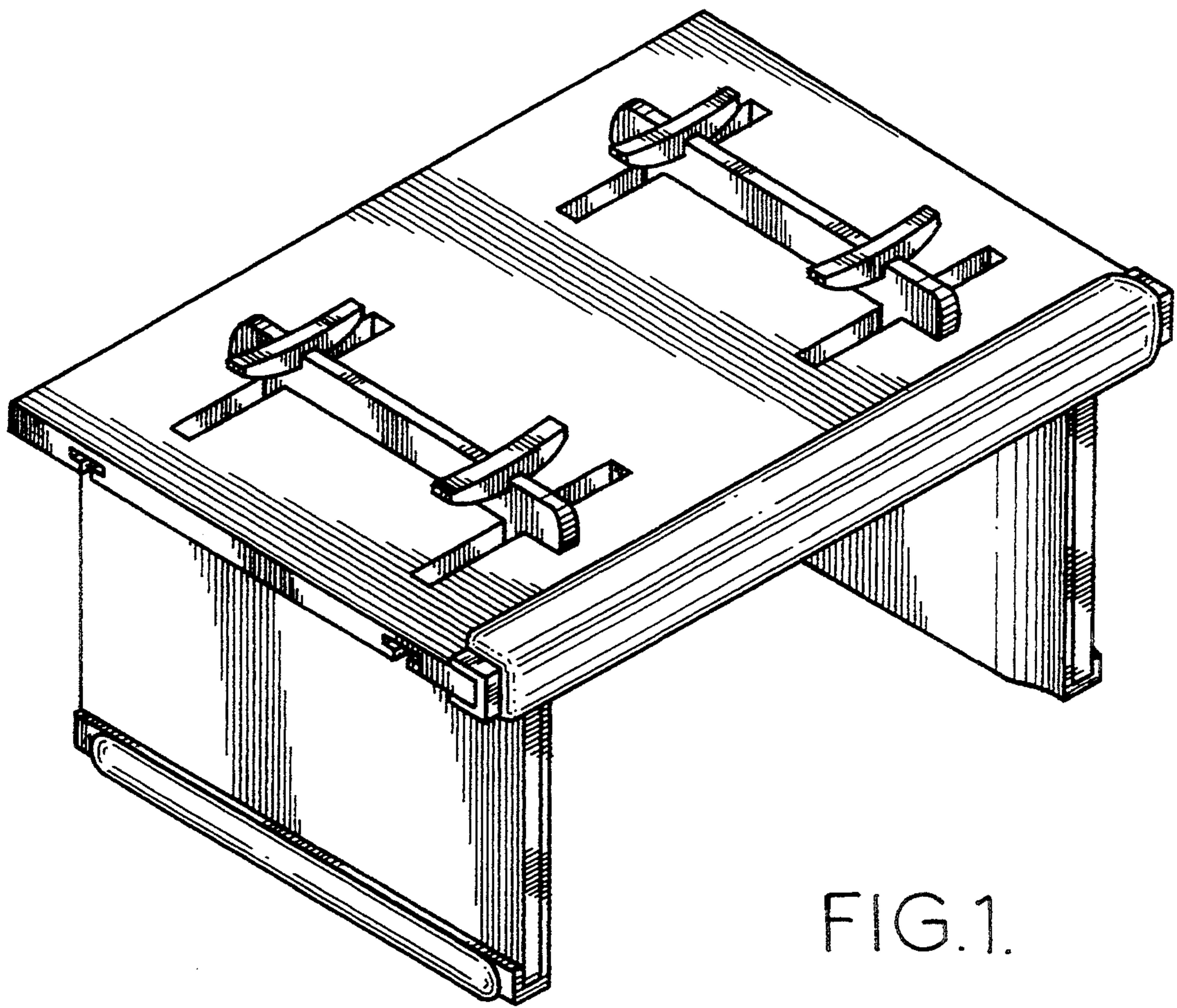


FIG.1.

FIG. 2.

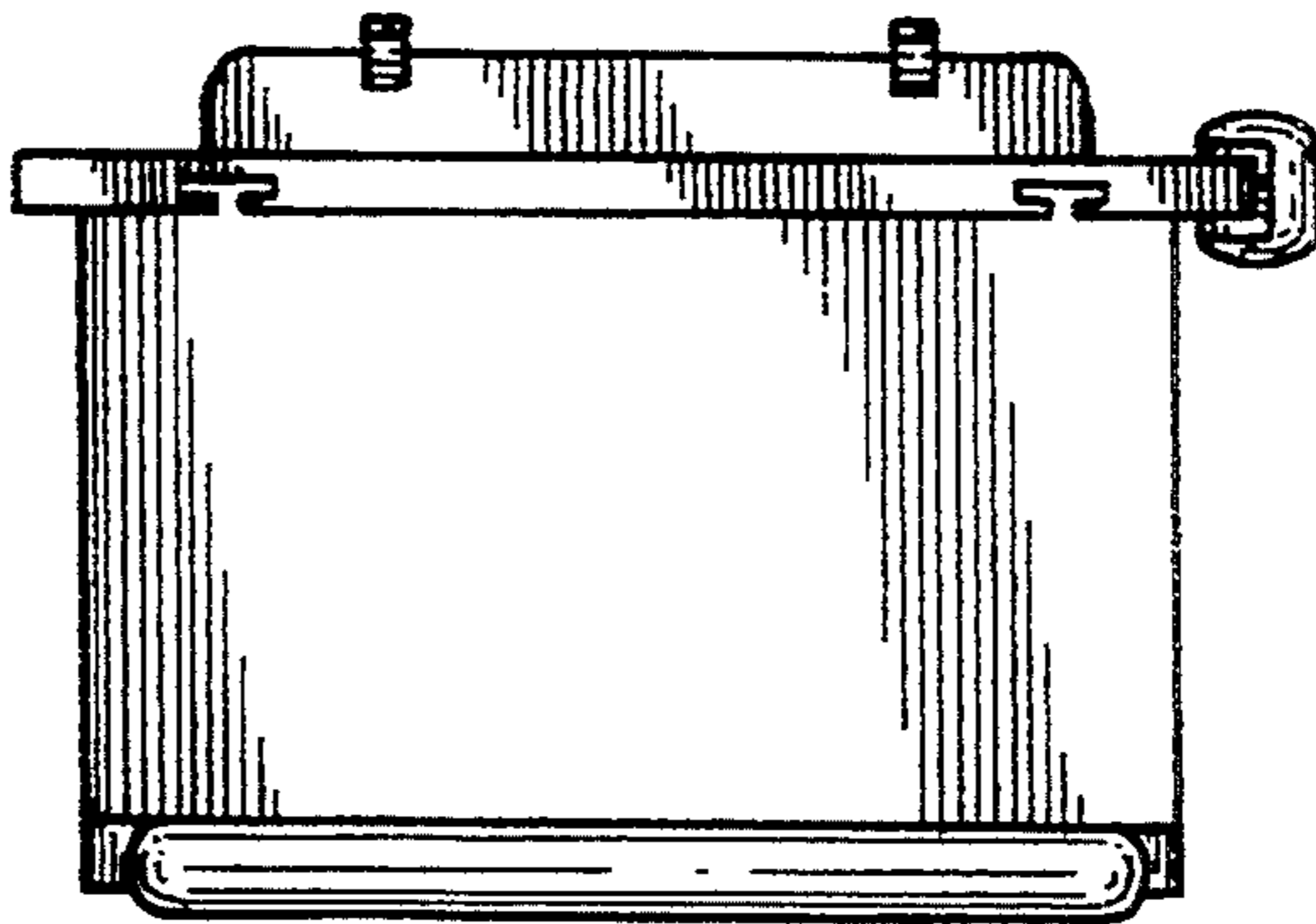


FIG. 3.

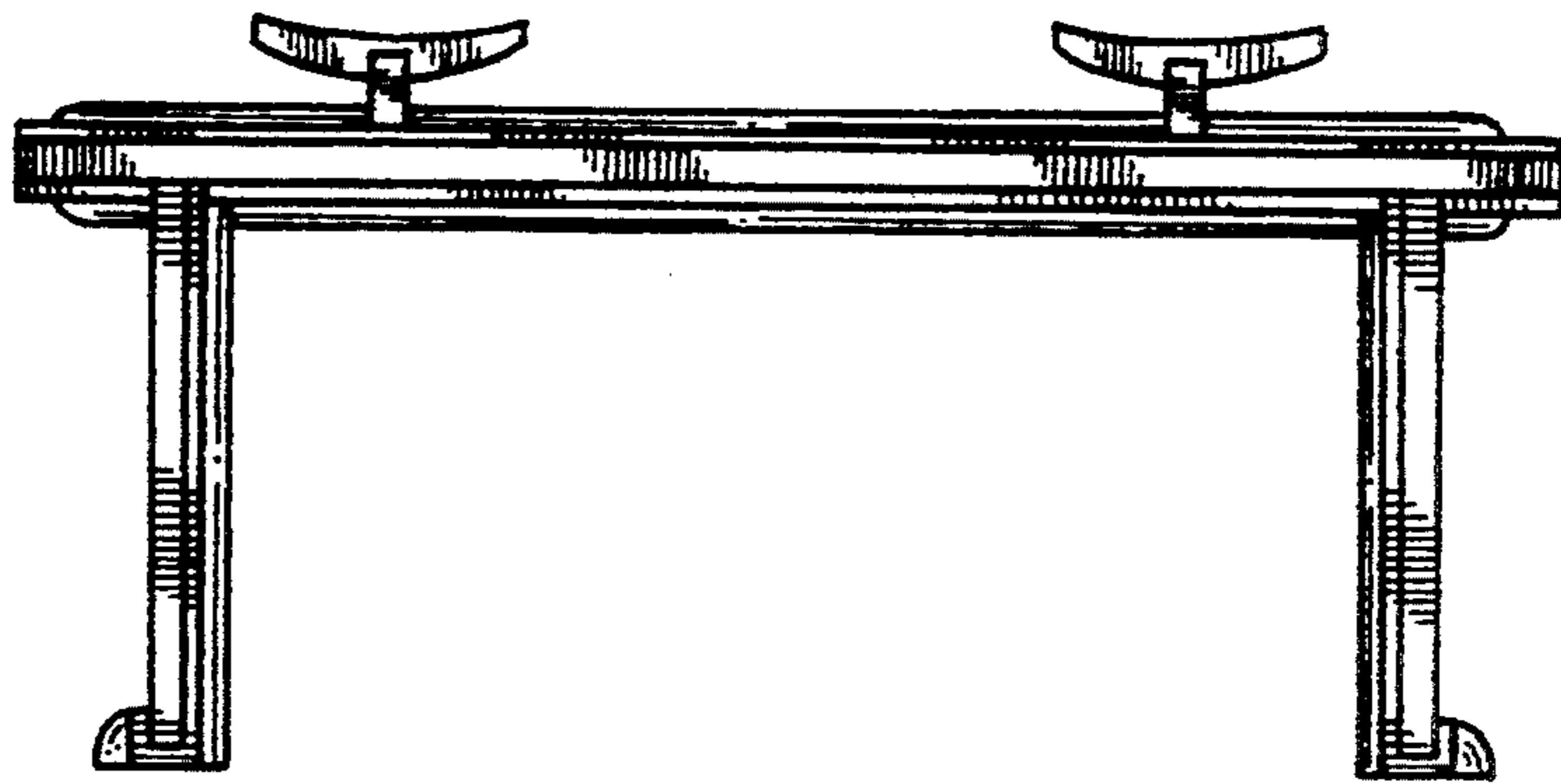


FIG. 4.

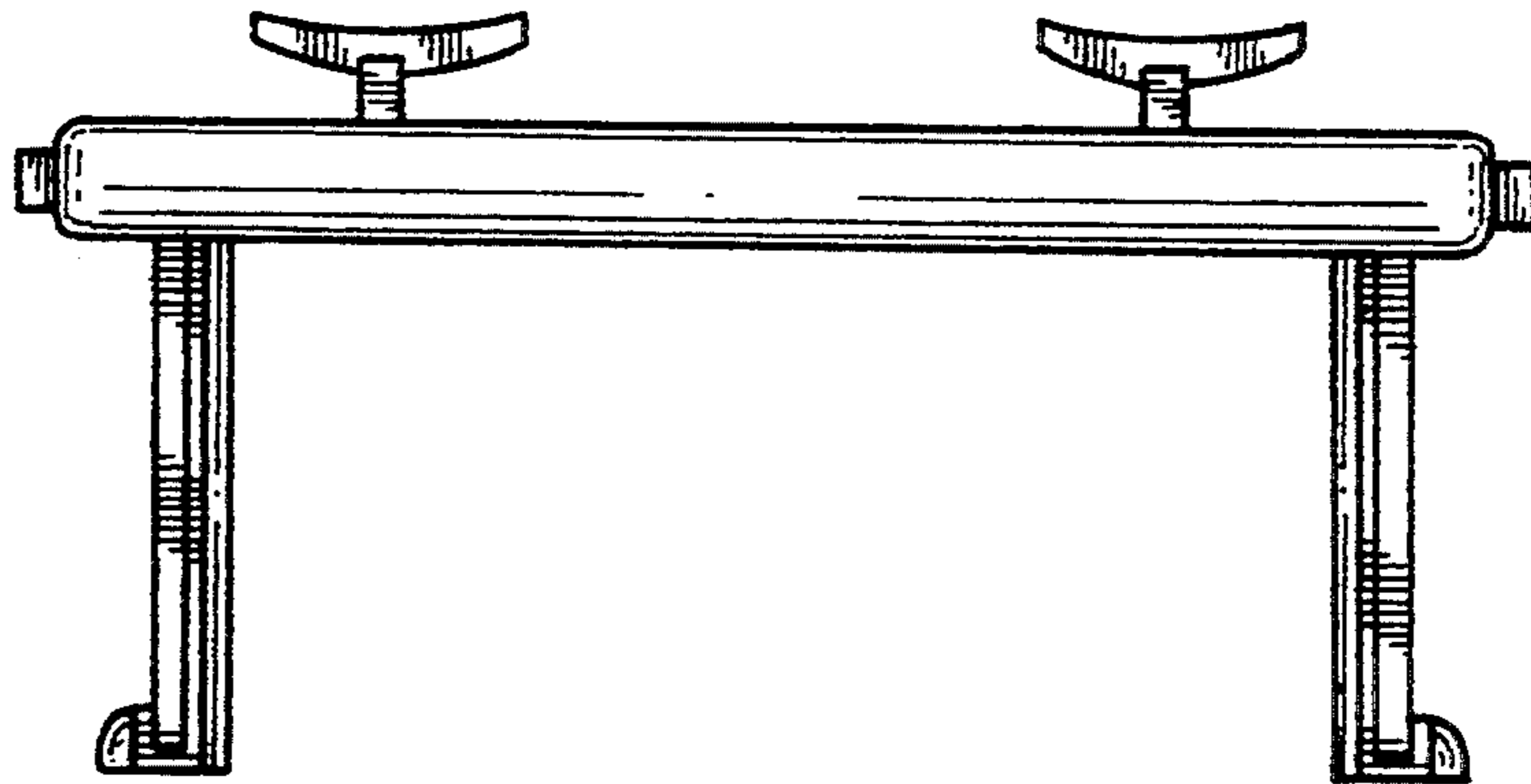


FIG. 5.

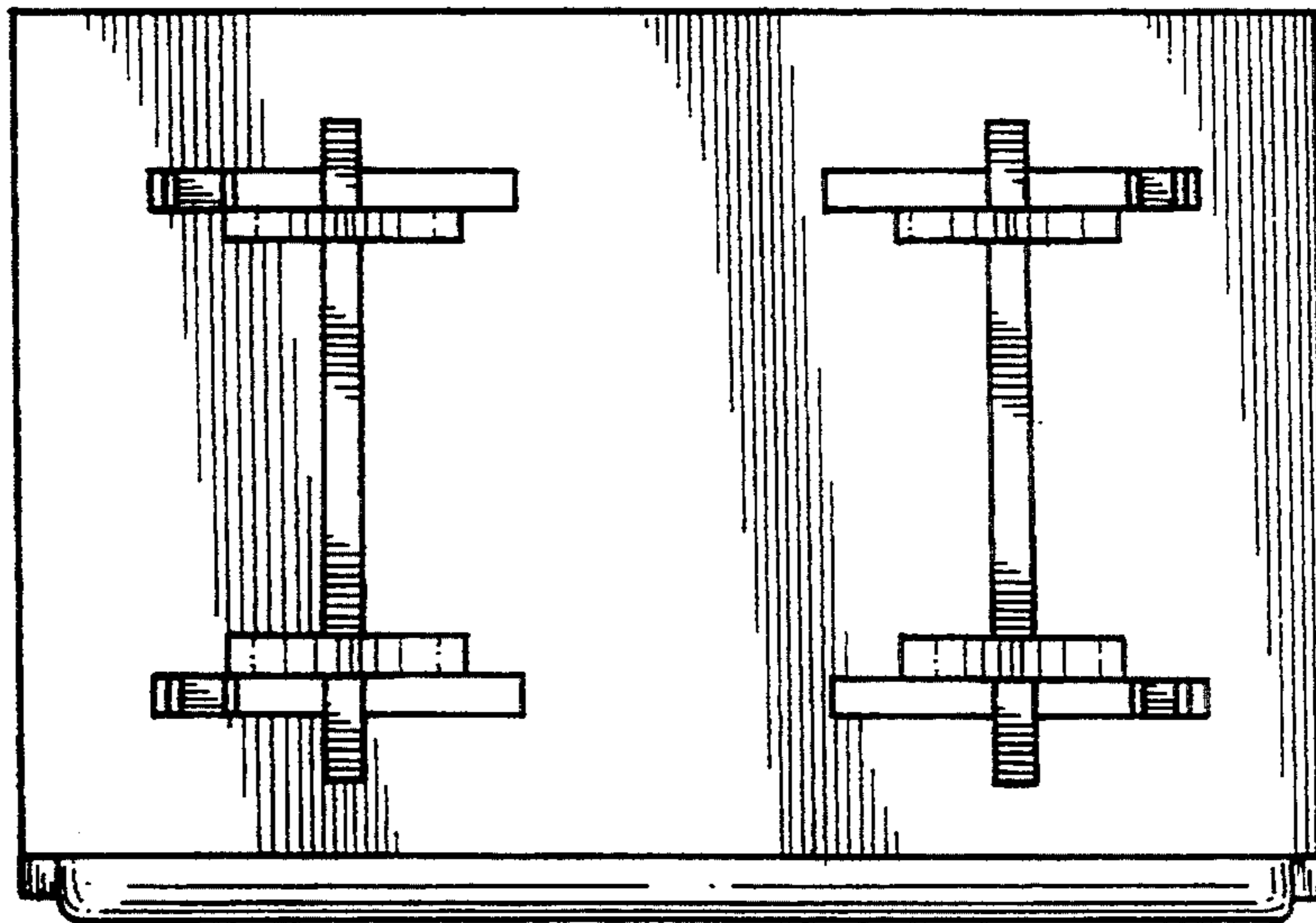


FIG. 6.

